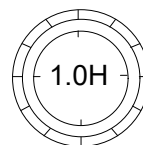
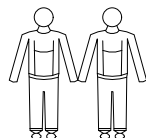
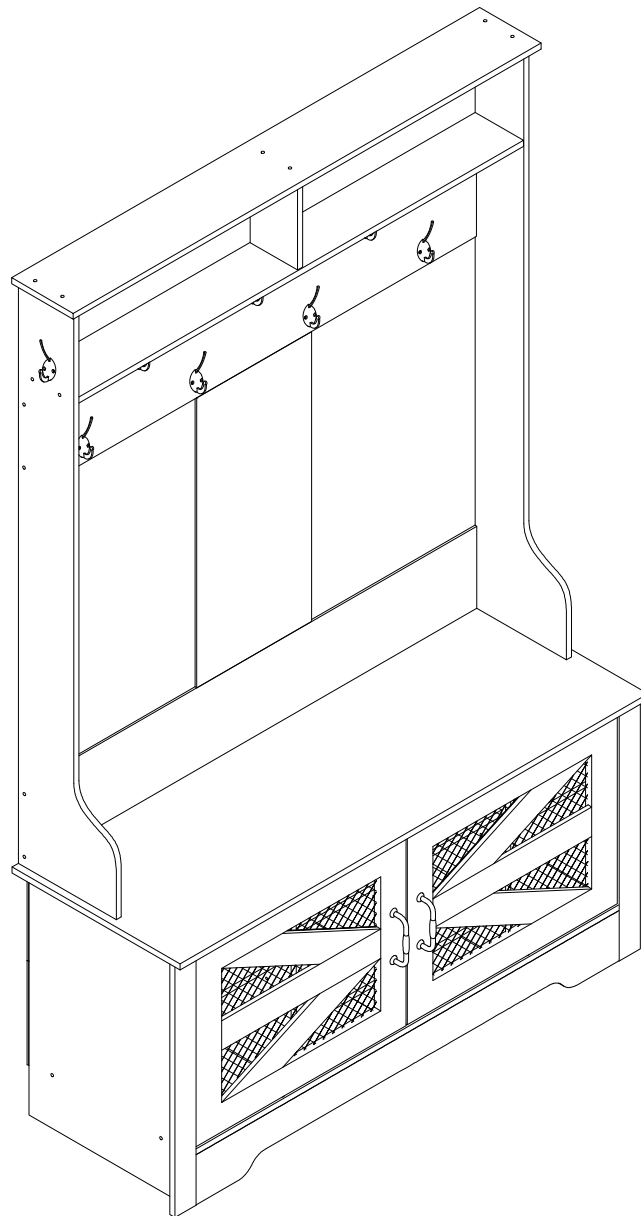
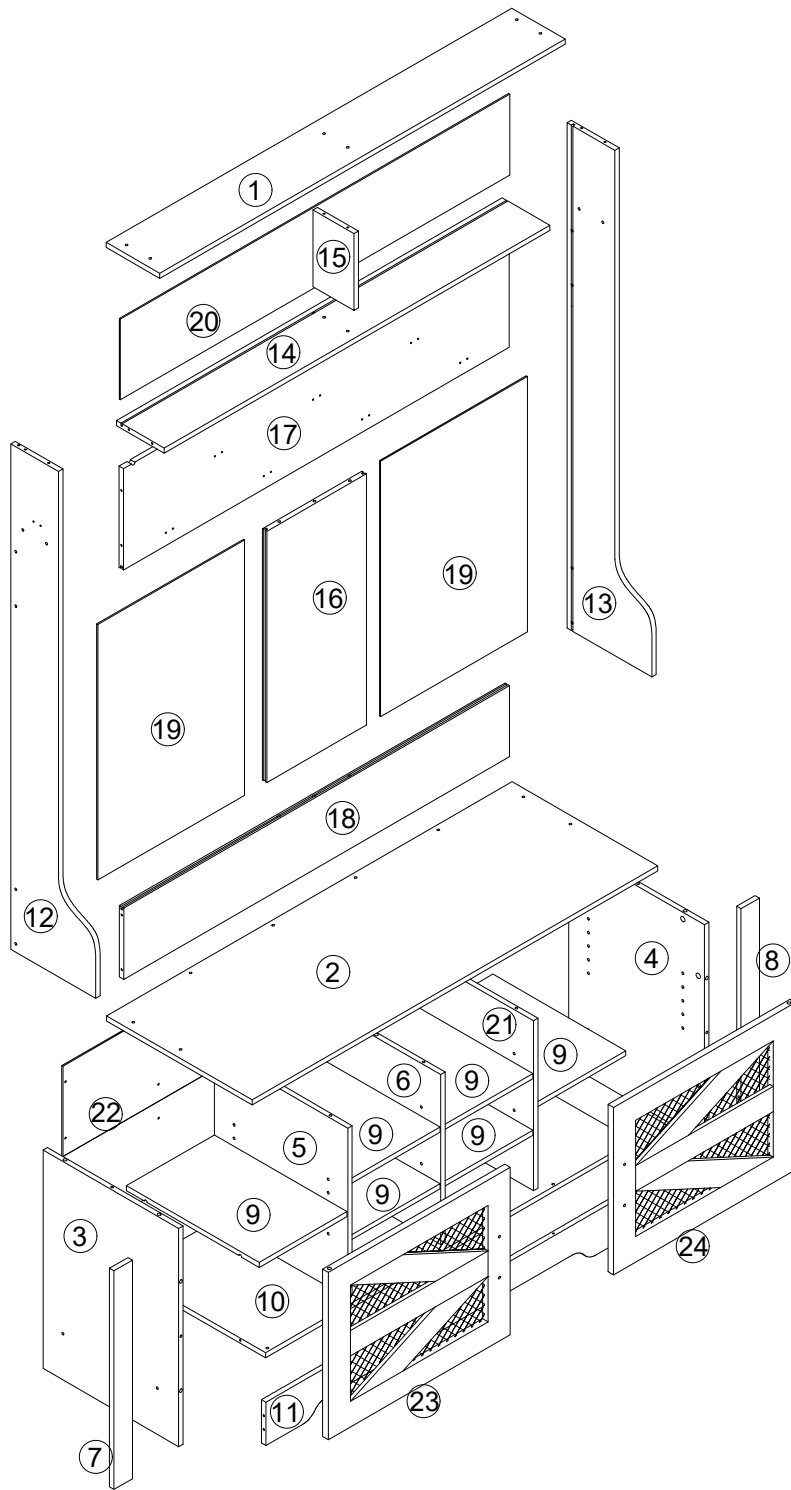
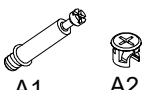
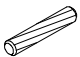

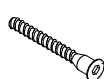



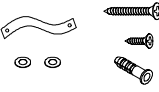



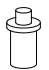
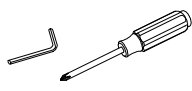





# Hall Tree



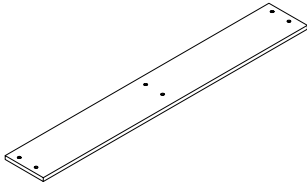
**GAUTION** : When tightening the screws , tighten sequentially .  
Do not tighten any screws fully and then towards the next one .  
When every part is OK , then tighten all the screws



<b>A</b>	x(10+1)	<b>B</b>	x(21+1)	<b>C</b>	x(44+2)	<b>D</b>	x(40+2)	<b>E</b>	x(24+1)	<b>F</b>	x9
											
A1 A2											
6x25		6x30		3.5x14		5x40					
<b>G</b>	x4	<b>H</b>	x2	<b>J</b>	x6	<b>K</b>	x8	<b>L</b>	x2	<b>M</b>	x4
											
								L1 L2			
						3x10					
<b>N</b>	x4	<b>O</b>	x2	<b>P</b>	x1						
											
4x18											

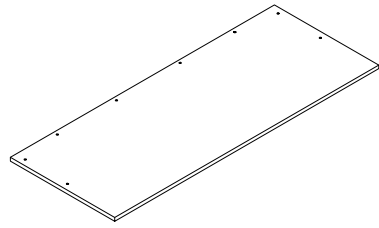
1

X1



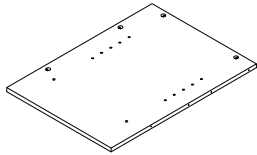
2

X1



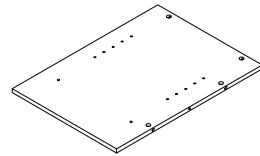
3

X1



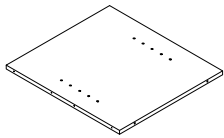
4

X1



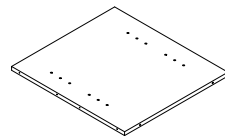
5

X1



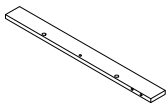
6

X1



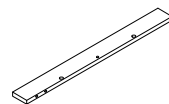
7

X1



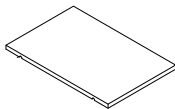
8

X1



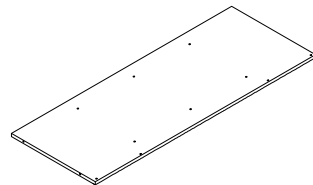
9

X6



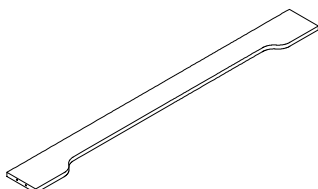
10

X1



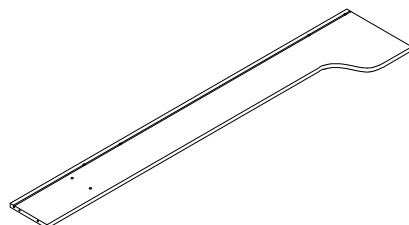
11

X1



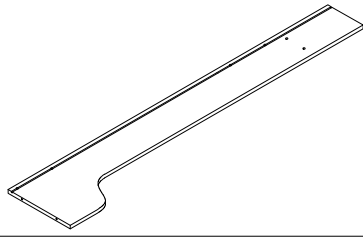
12

X1



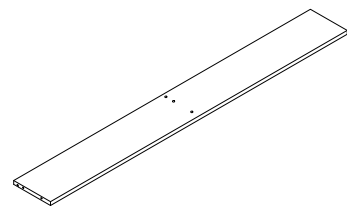
13

X1



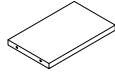
14

X1



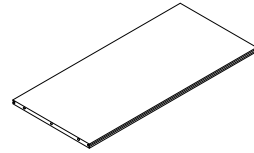
15

X1



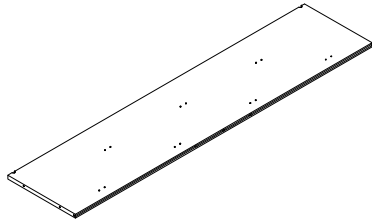
16

X1



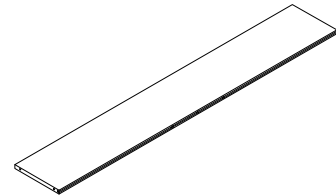
17

X1



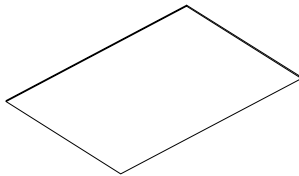
18

X1



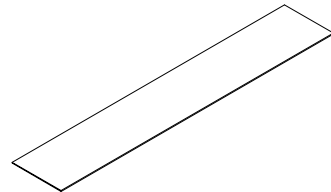
19

X2



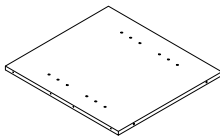
20

X1



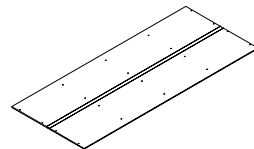
21

X1



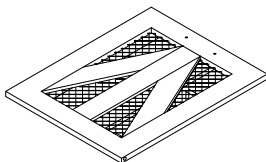
22

X1



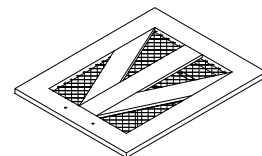
23

X1



24

X1



# Step 1

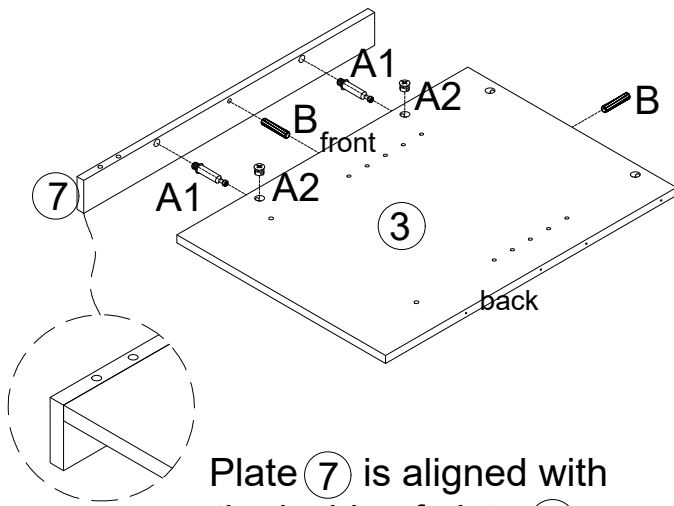
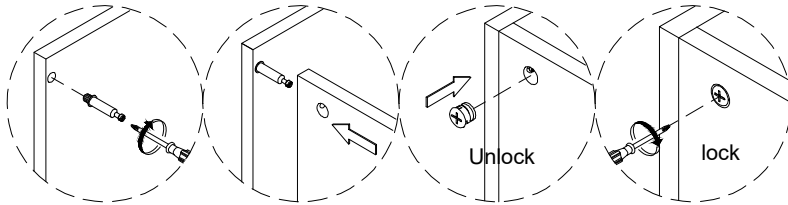
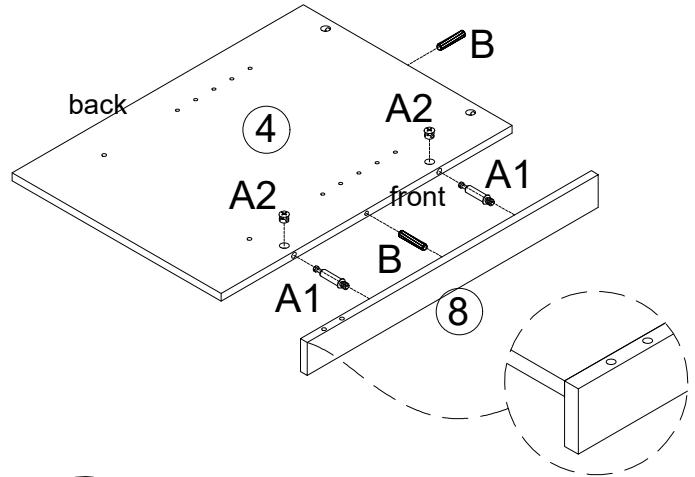
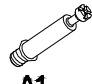

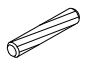


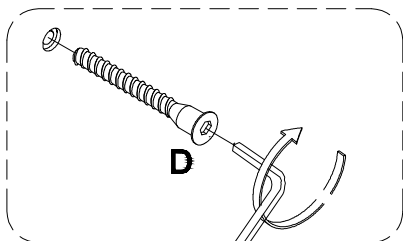
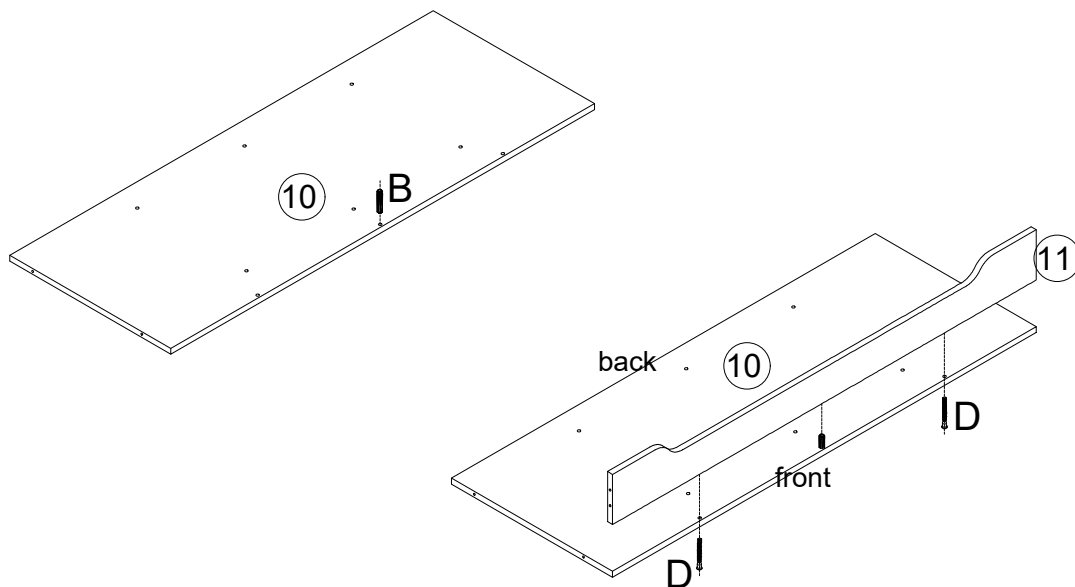
Plate 7 is aligned with the inside of plate 3


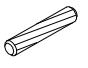
Plate 8 is aligned with the inside of plate 4



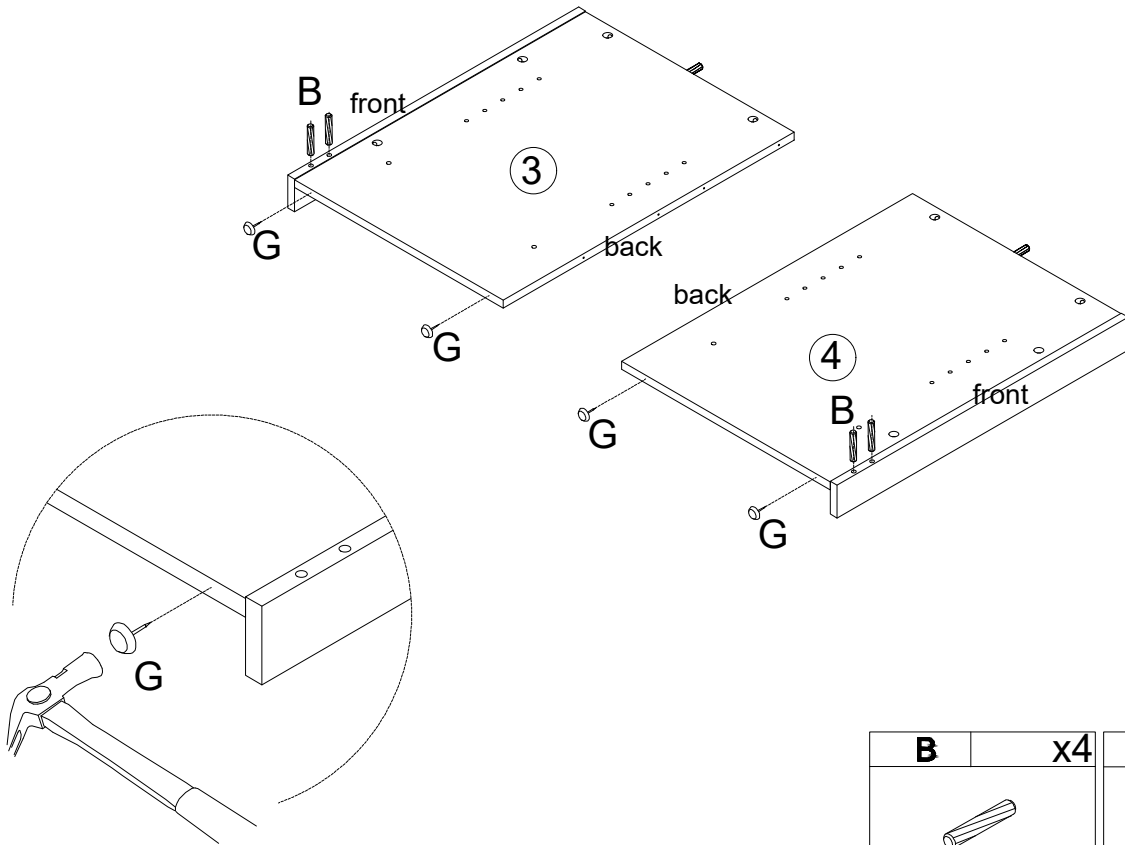
<b>A</b>	<b>x4</b>	<b>B</b>	<b>x4</b>
			
<b>A1</b>	<b>A2</b>		<b>6x30</b>

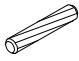

# Step 2



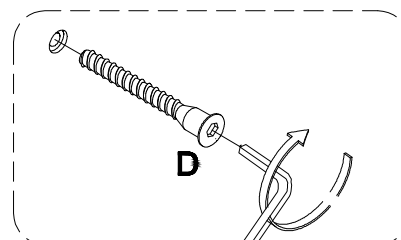
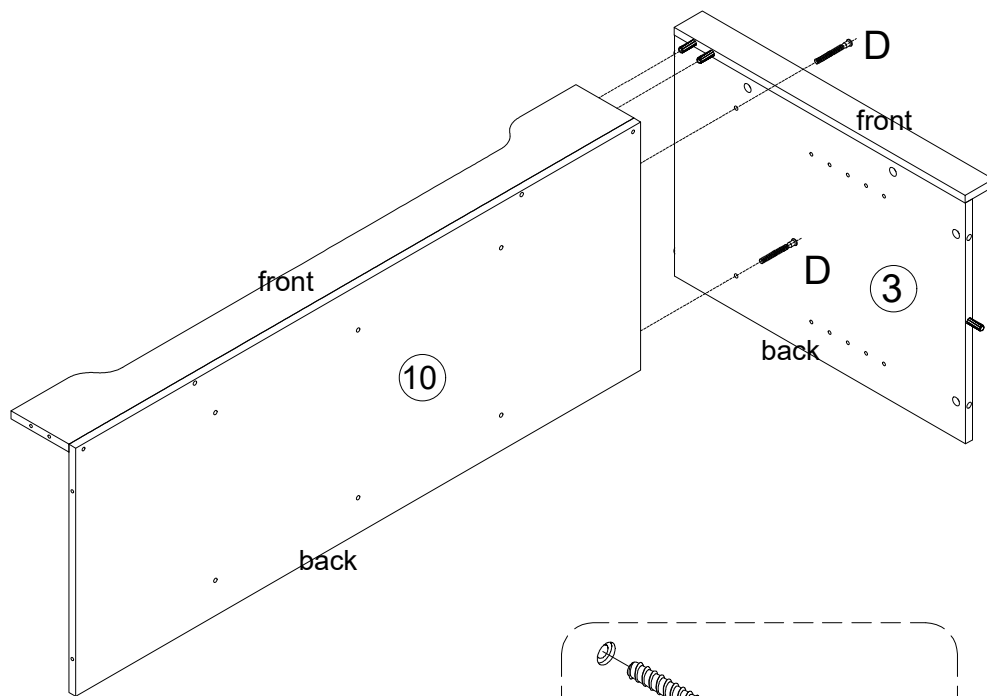
<b>D</b>	<b>x2</b>	<b>B</b>	<b>x1</b>
			
	<b>5x40</b>		<b>6x30</b>


# Step 3



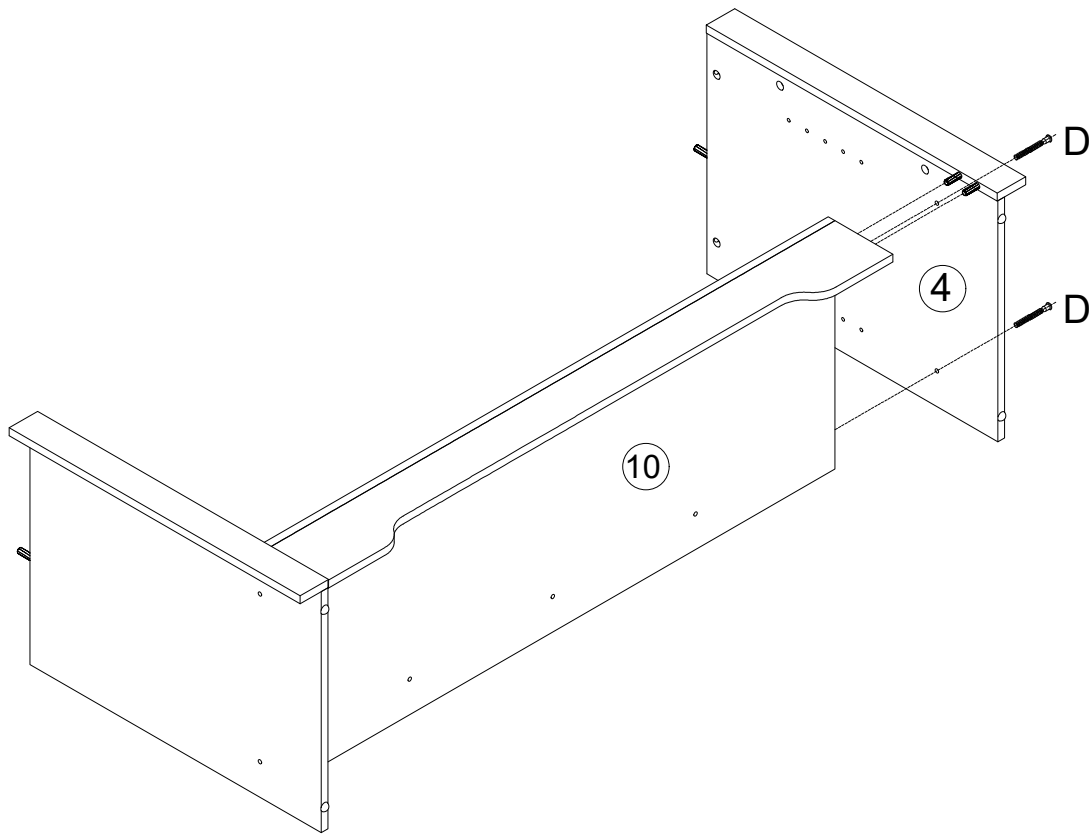
<b>B</b>	x4	<b>G</b>	x4
			
<b>6x30</b>			


# Step 4



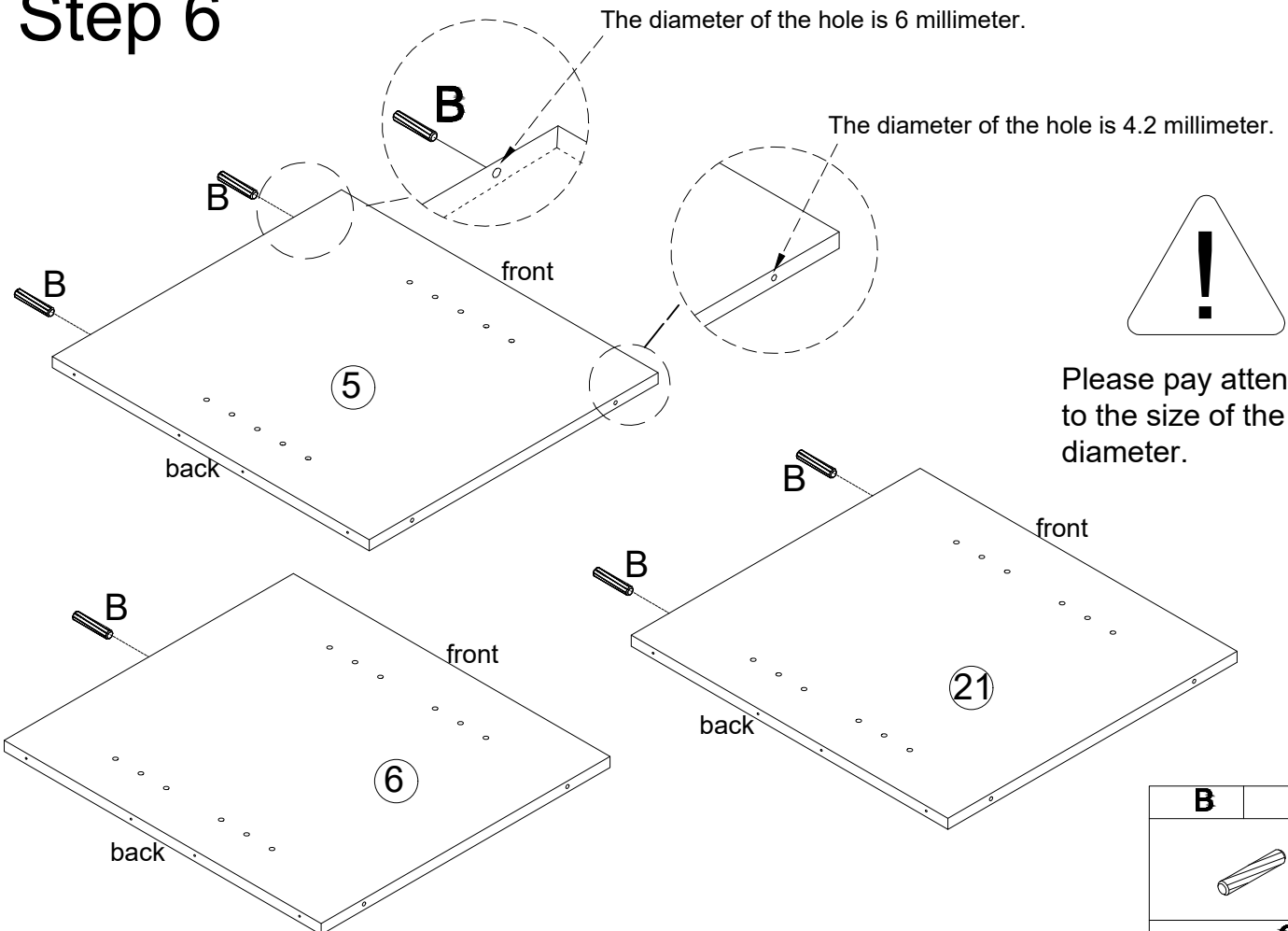
<b>D</b>	x2
	
<b>5x40</b>	

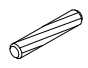
# Step 5



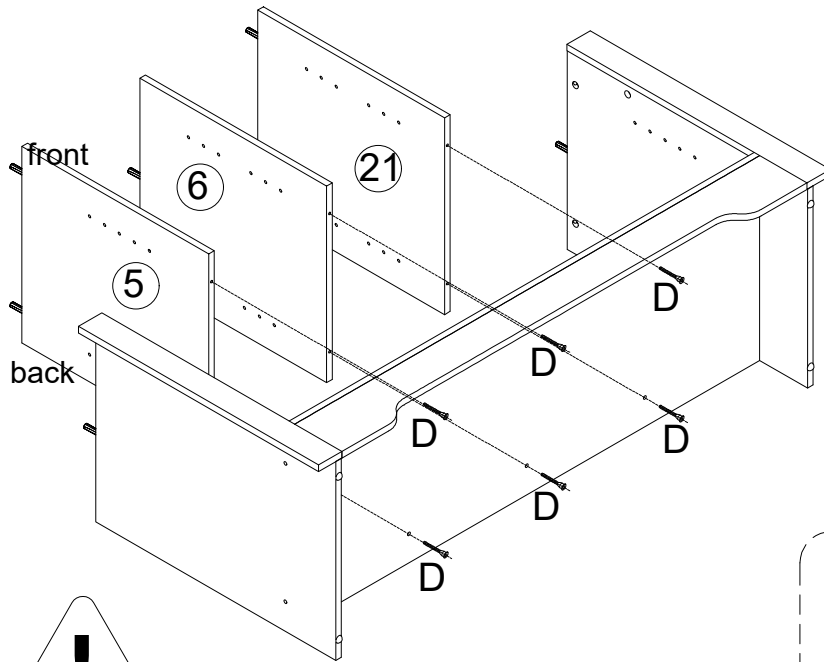
<b>D</b>	<b>x2</b>
	
<b>5x40</b>	

# Step 6



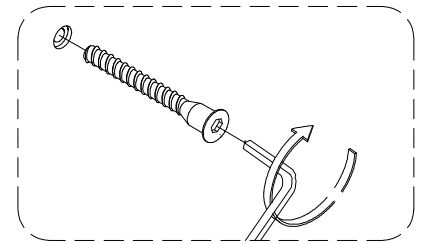
<b>B</b>	<b>x5</b>
	
<b>6x30</b>	

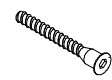
# Step 7



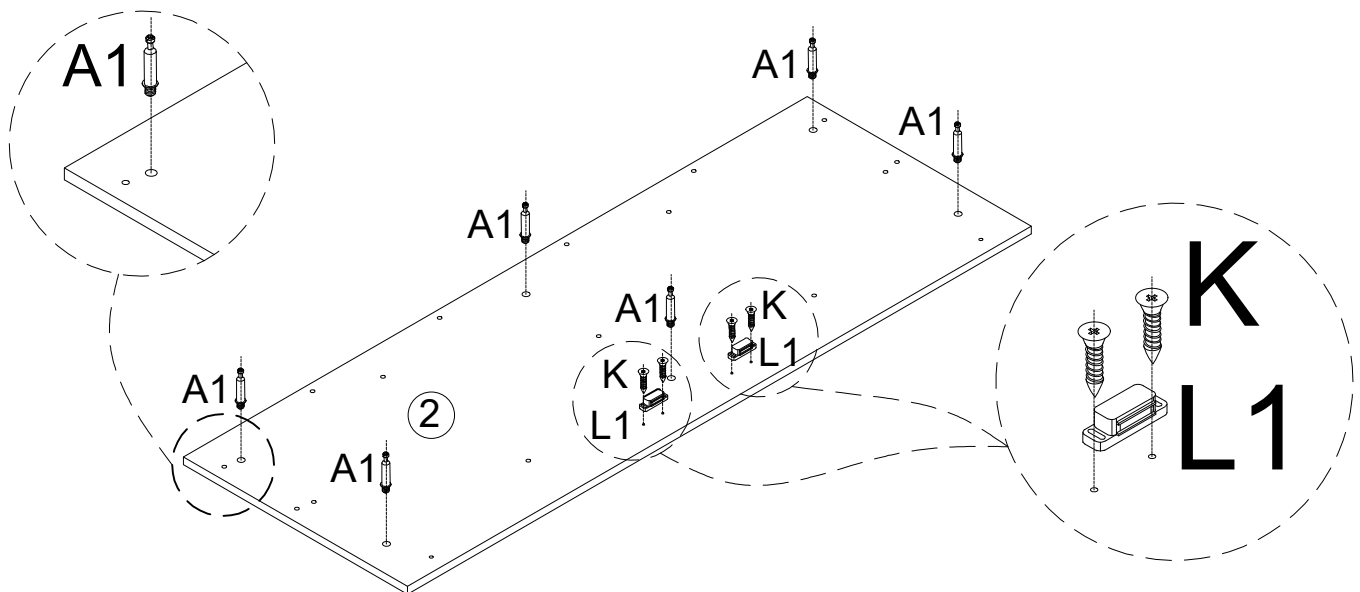
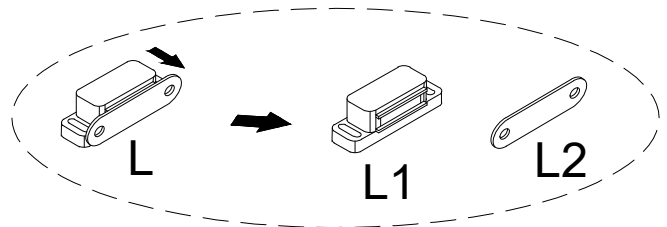
## NOTE:

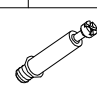


As shown in the figure, when installing the No. 5 board No. 6 board and No. 21 board, pay attention to the position of the holes. The hole positions are in the wrong direction, which will cause the No. 9 boards to be unable to be assembled.



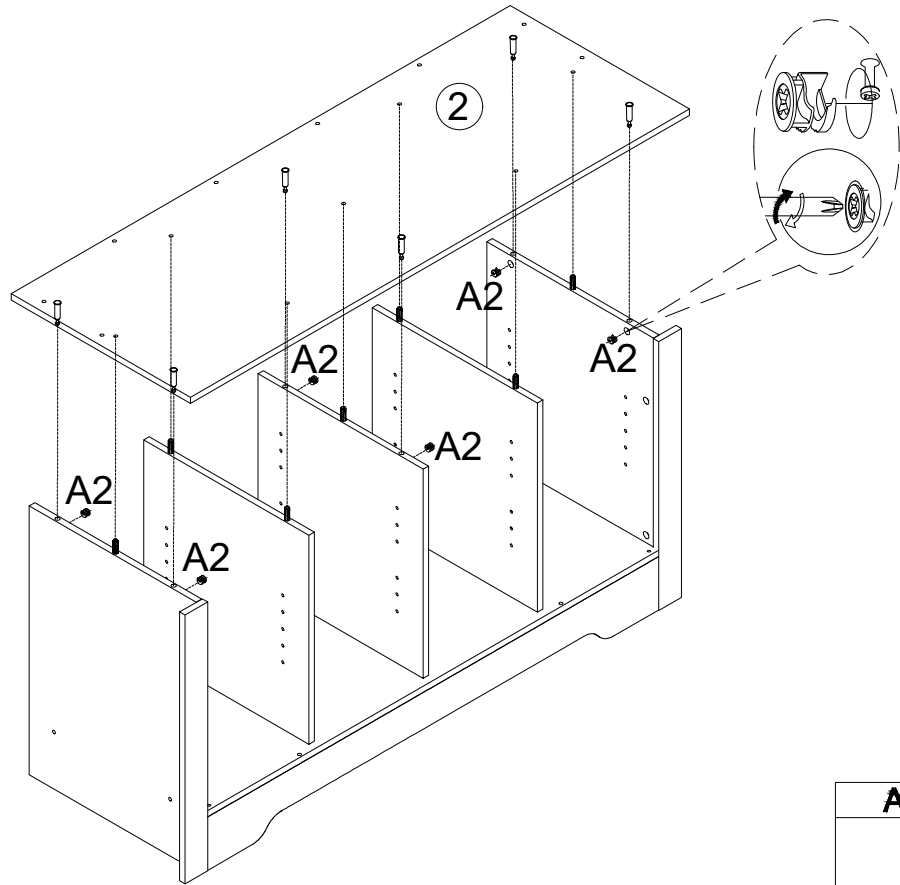
D	x6
	
5x40	


# Step 8



A	x6	K	x4	L1	x2
					
A1		3x10		L1	

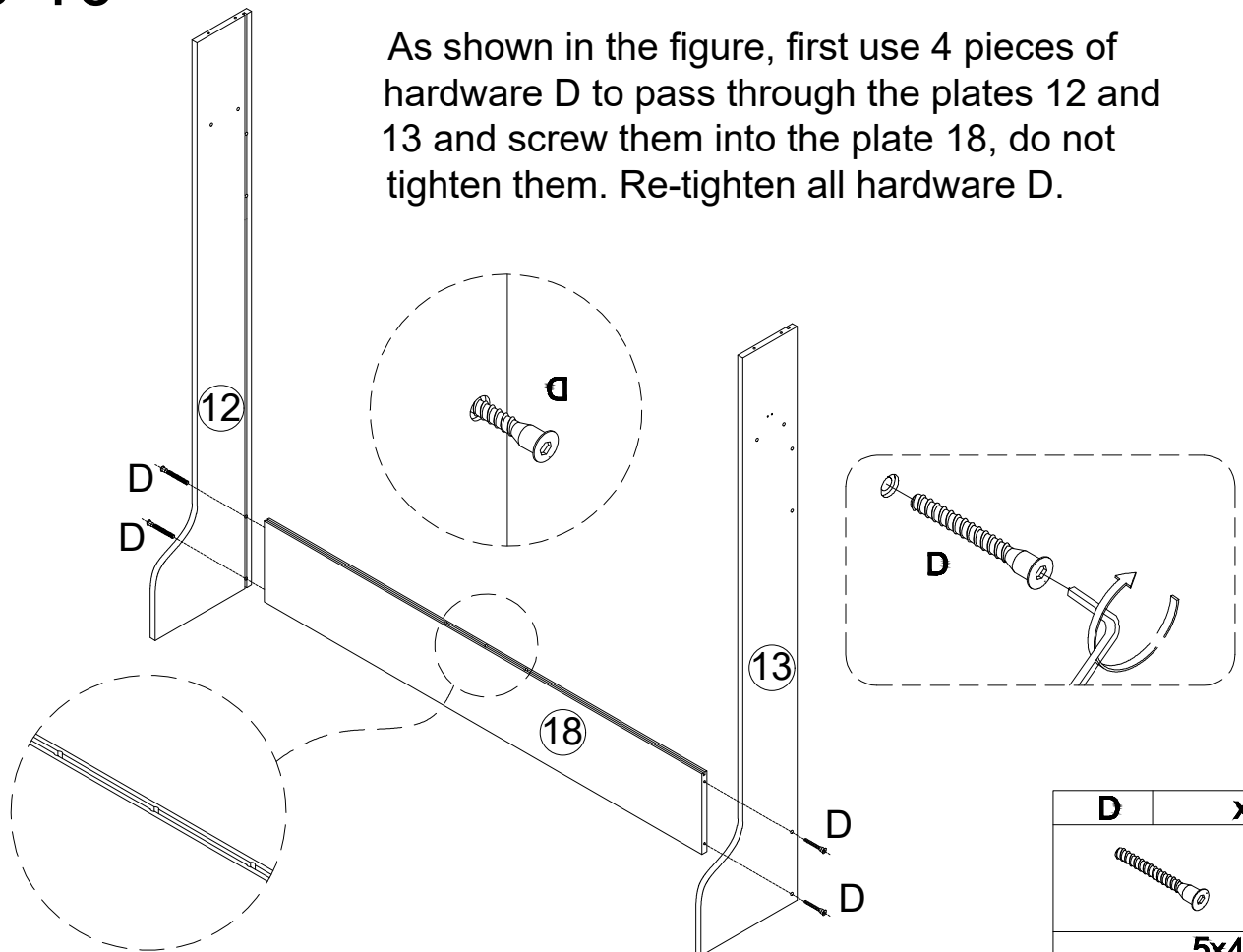
# Step 9

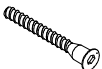


A	x6
 <b>A2</b>	

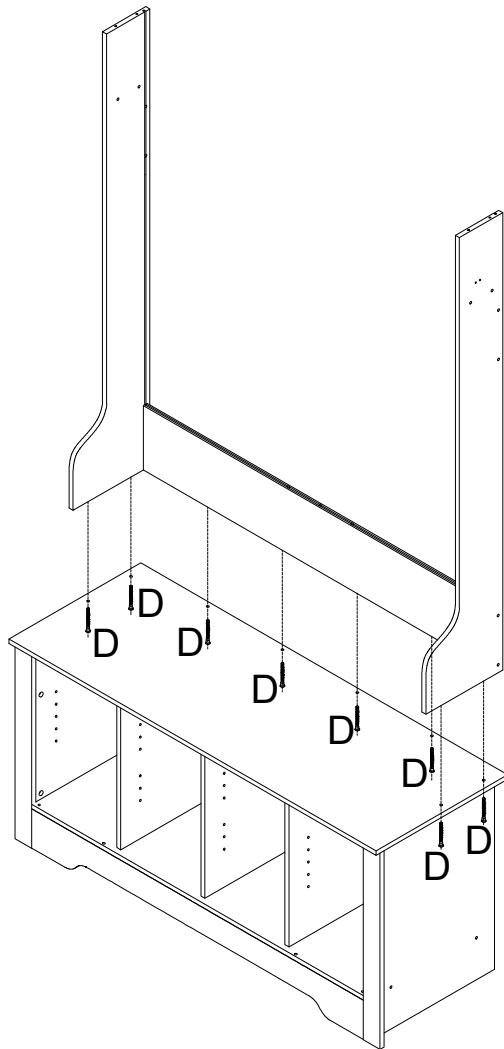
# Step 10


As shown in the figure, first use 4 pieces of hardware D to pass through the plates 12 and 13 and screw them into the plate 18, do not tighten them. Re-tighten all hardware D.



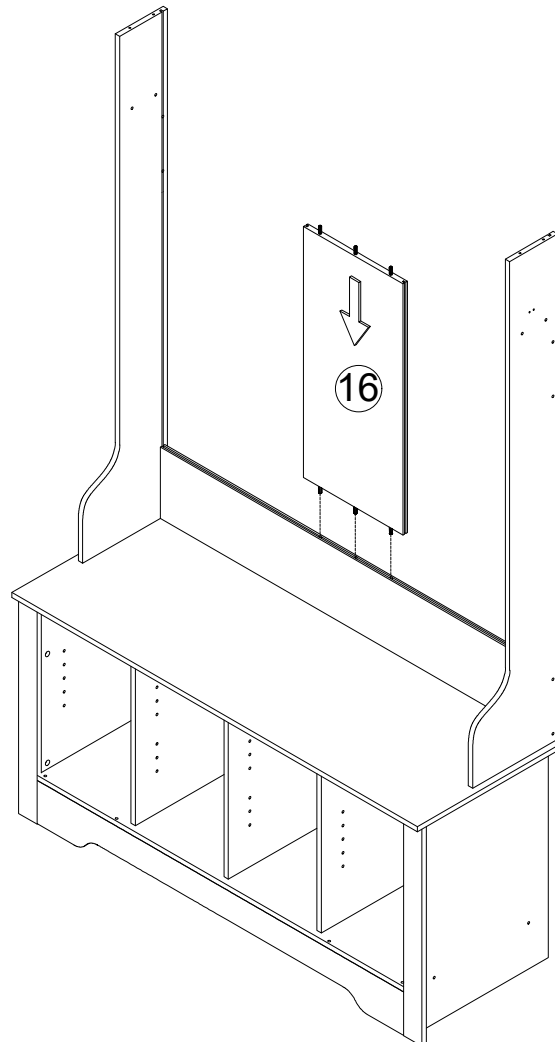
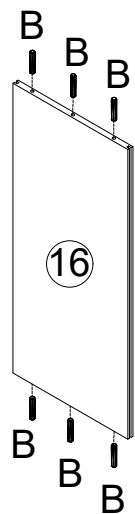
D	x4
	
<b>5x40</b>	

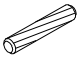
# Step 11



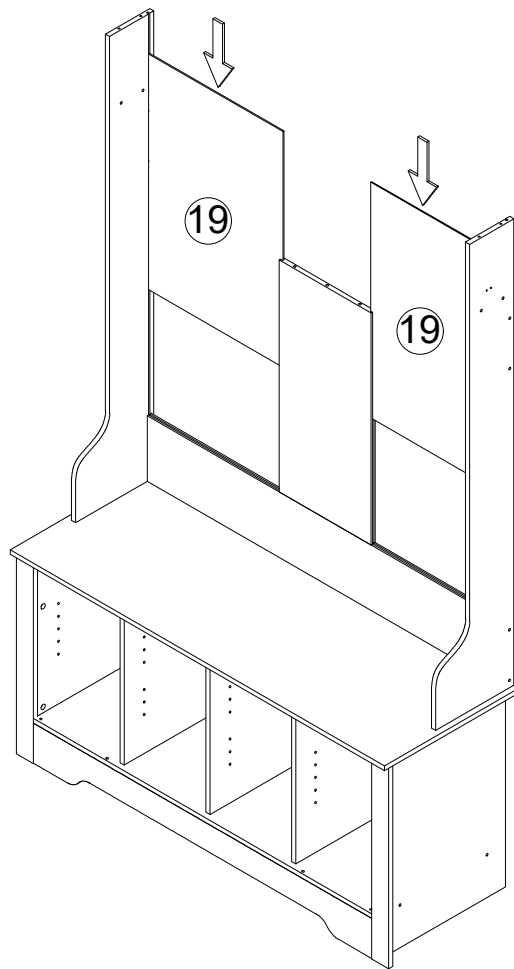
D	x8
	
5x40	

# Step 12

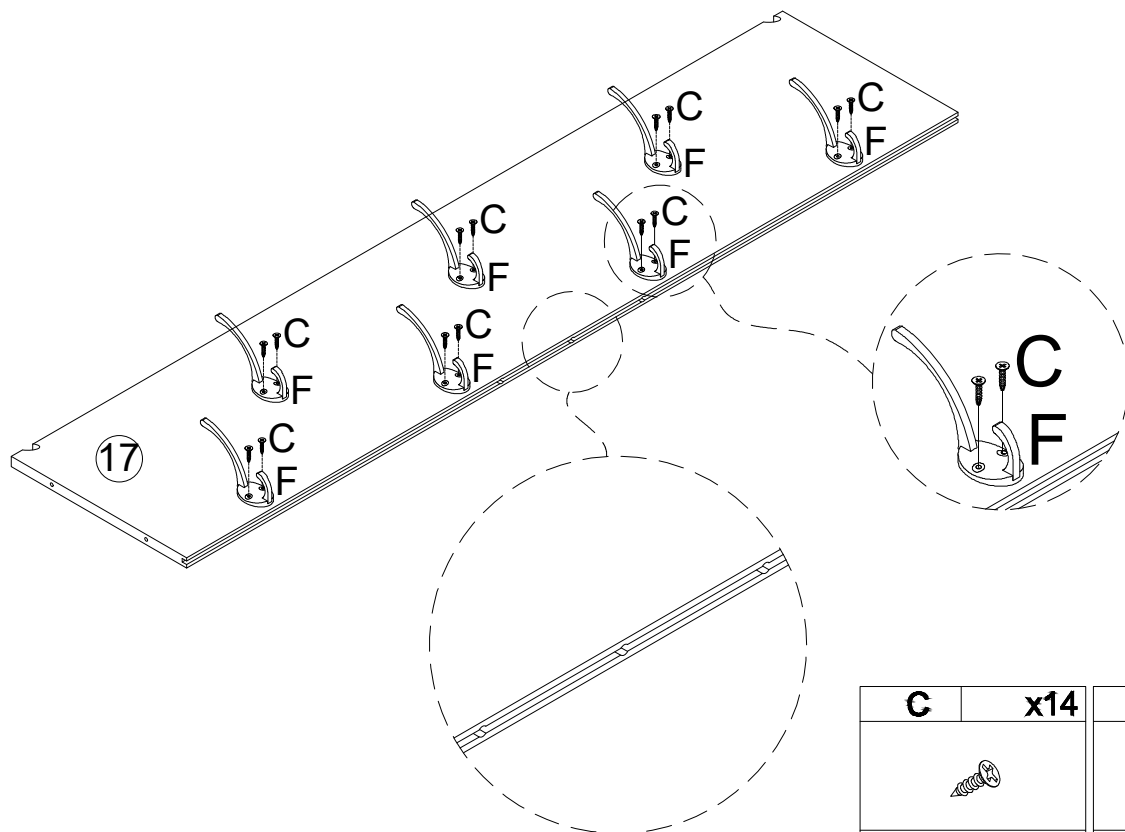


B	x6
	
6x30	

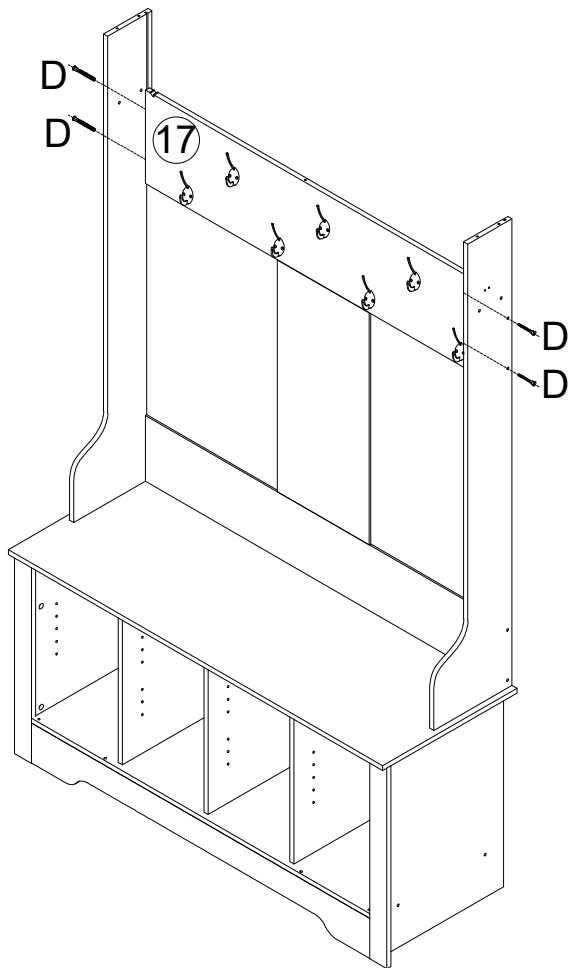
# Step 13




# Step 14

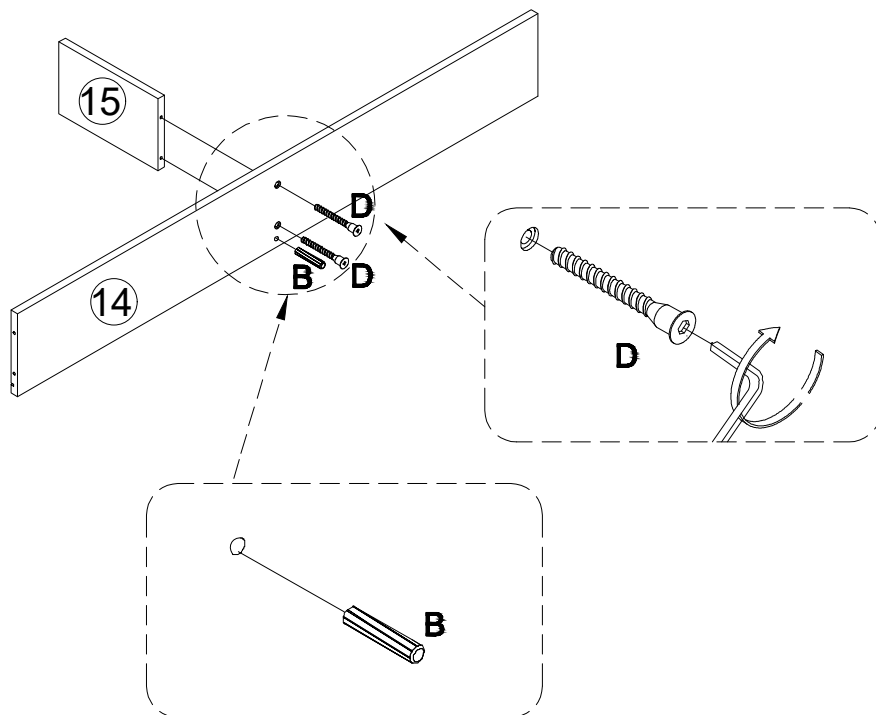


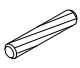

# Step 15



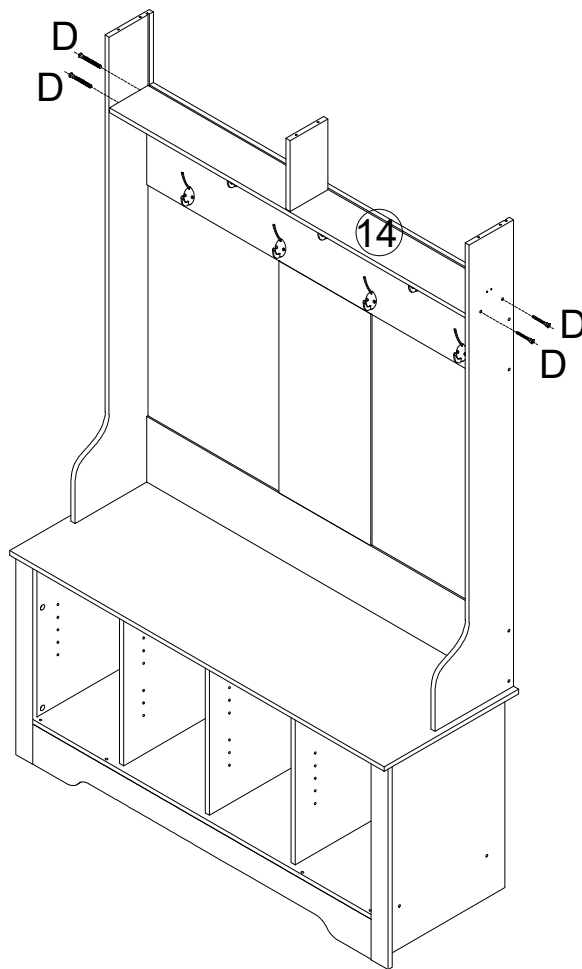
D	x4
	
5x40	

# Step 16



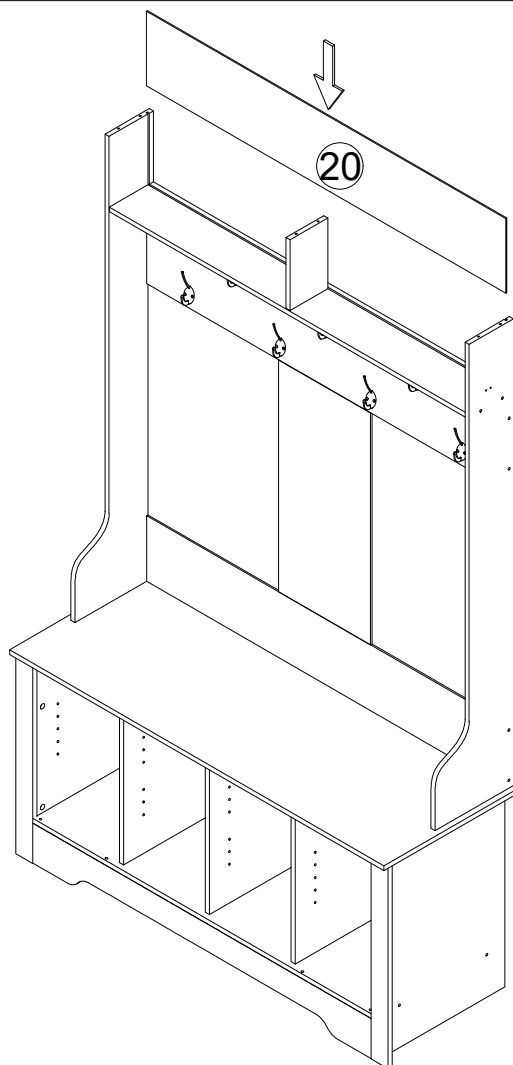
B	x1	D	x2
			
6x30		5x40	

# Step 17

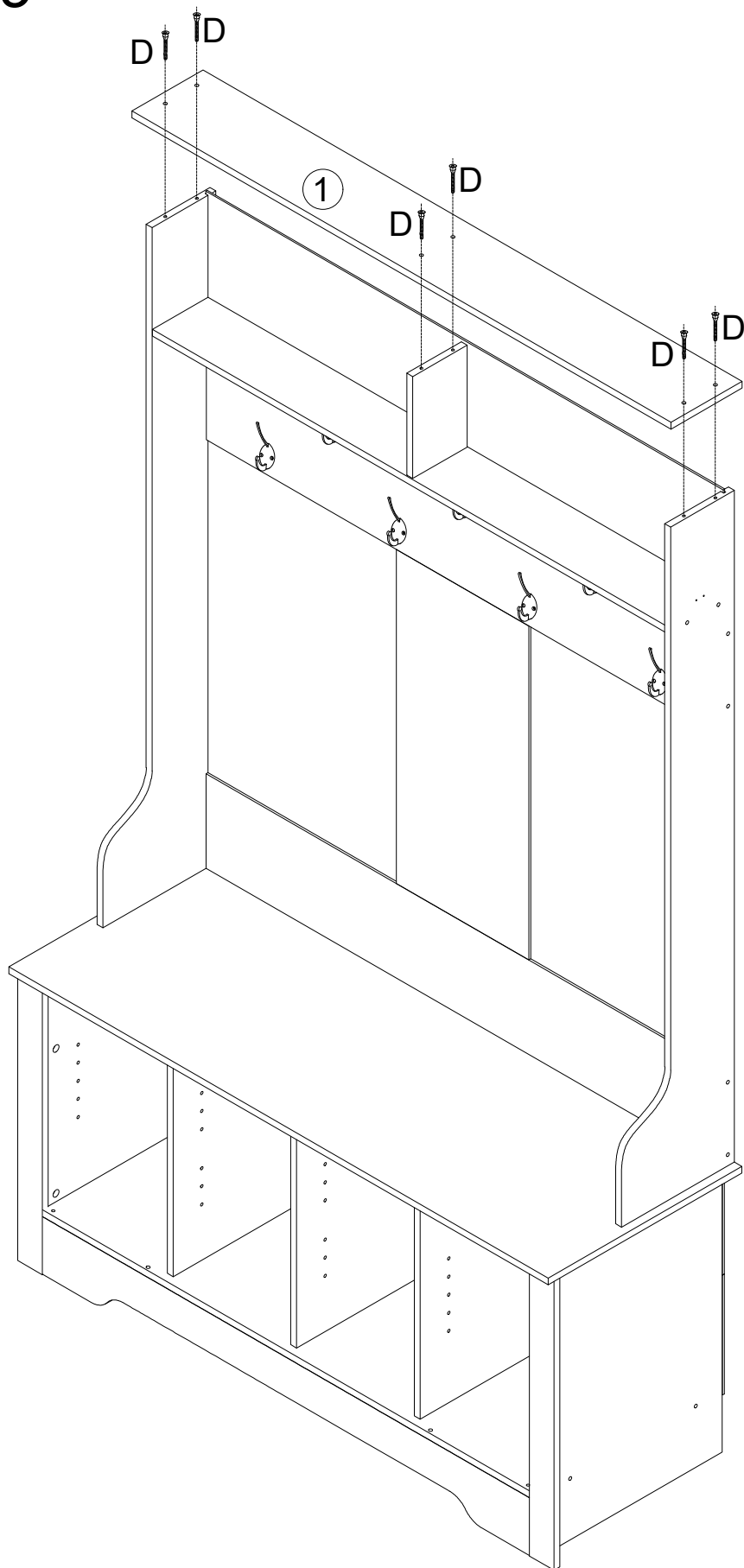



D	x4
5x40	

# Step 18



# Step 19

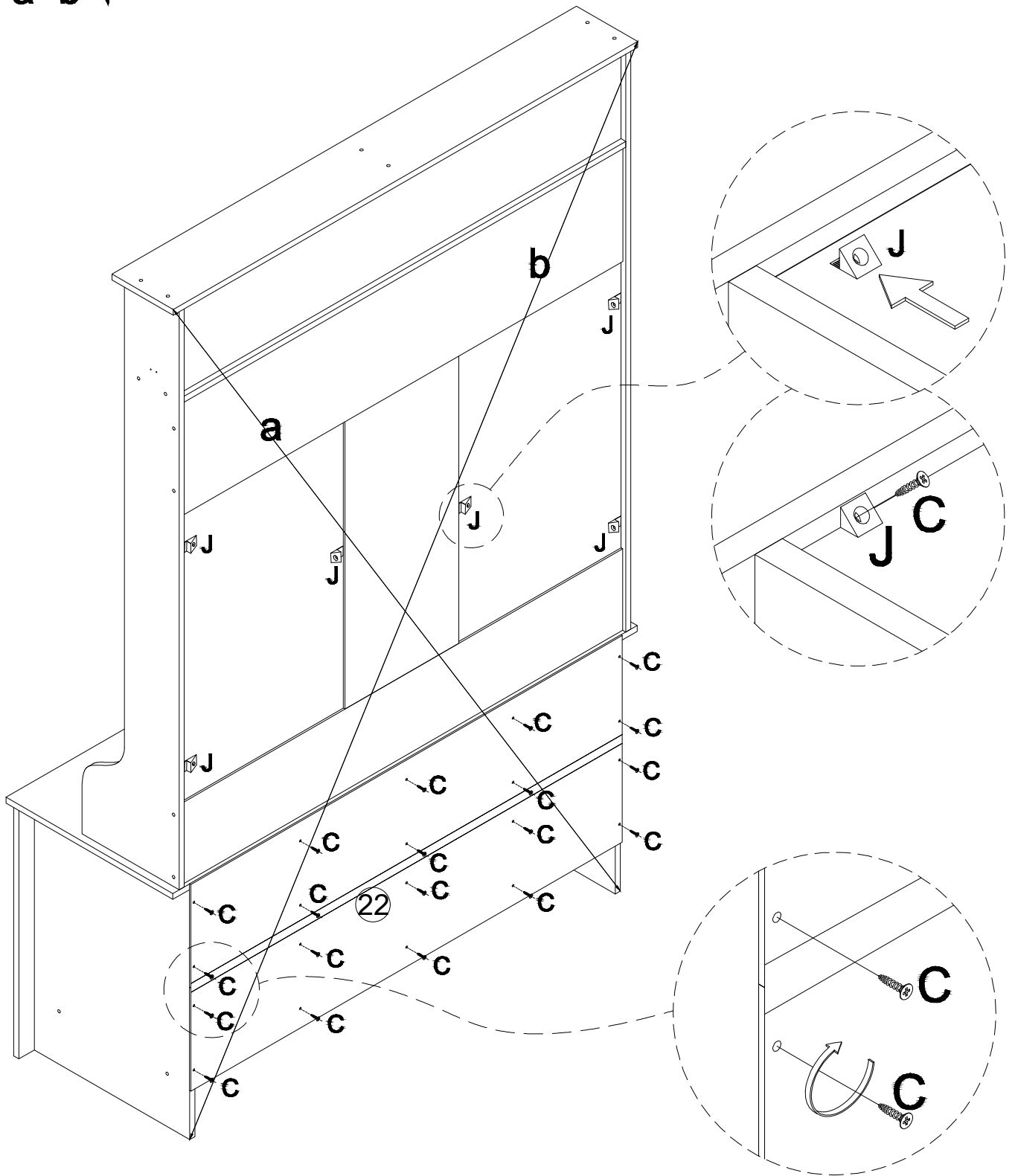




D	x6
	
5x40	

# Step 20

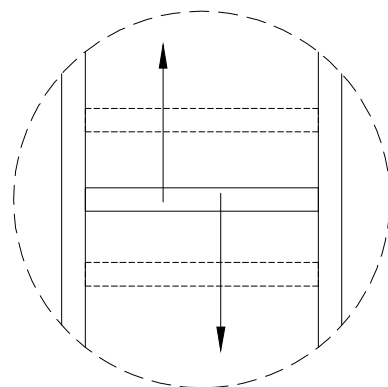
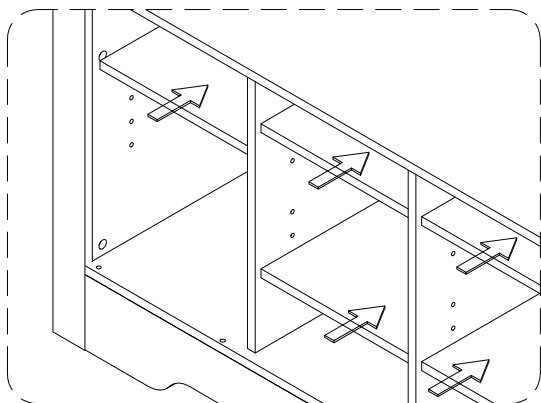
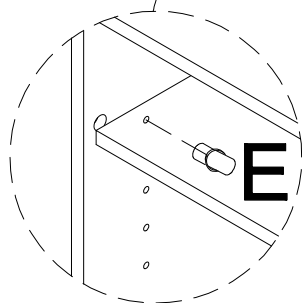
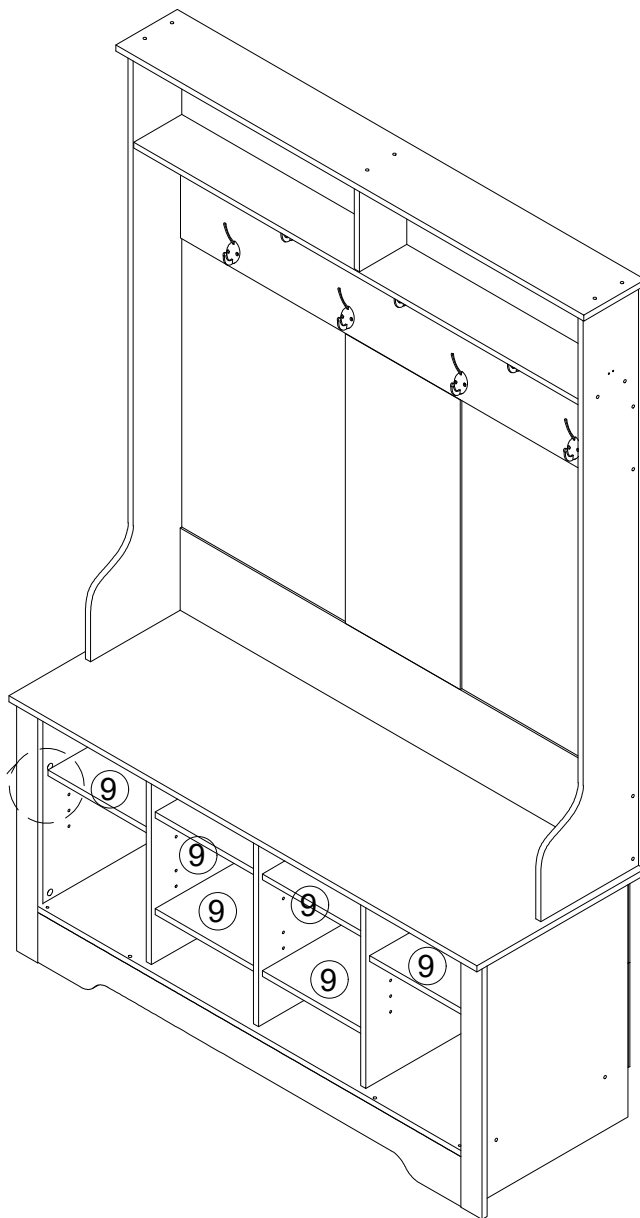
Measure the length of the two diagonal lines a and b from the back of the cabinet  
And keep a and b equal in length


$$a=b \checkmark$$



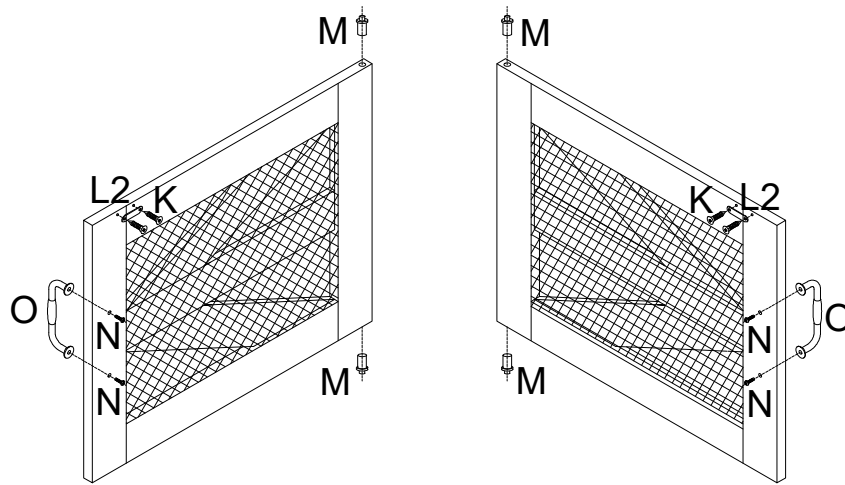
C	x26	J	x6
			
3.5x14			

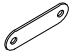




# Step 21



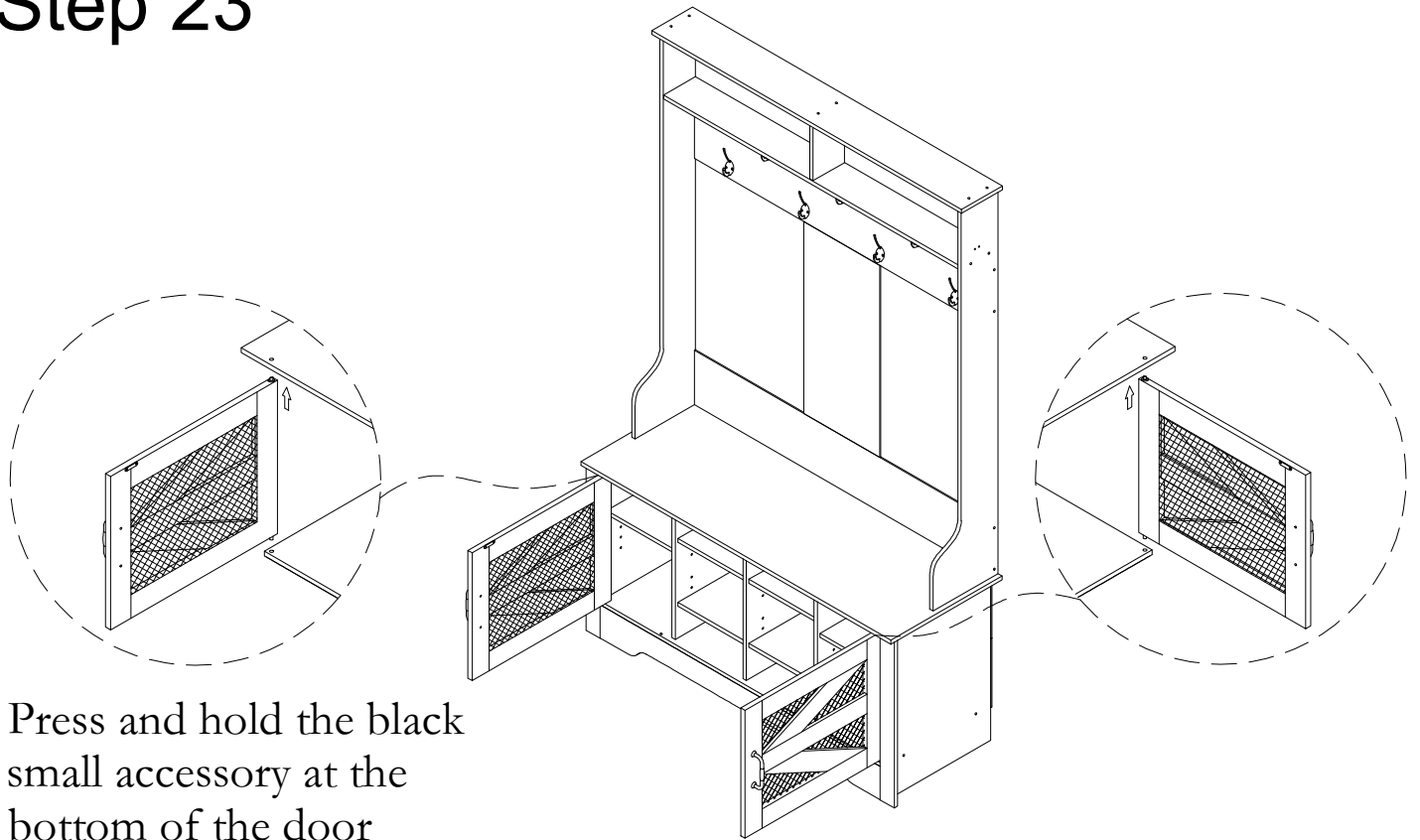
E	x24
	

# Step 22



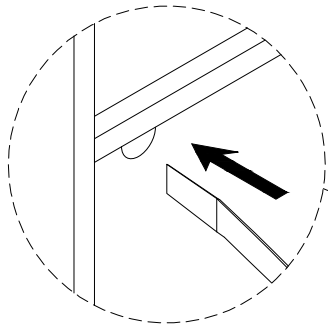
L	x2	K	x4	M	x4	N	x4	O	x2
									
		3x10				4x18			

# Step 23

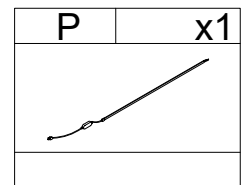
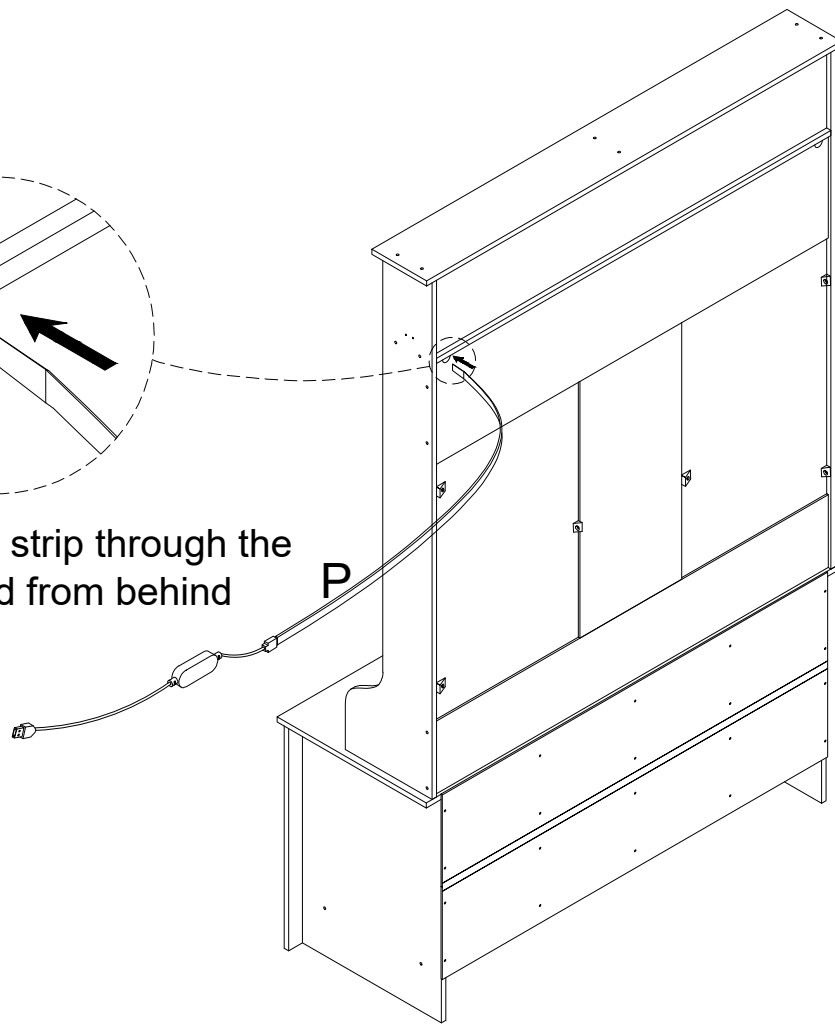


Press and hold the black small accessory at the bottom of the door panel and push it inward to align with the hole

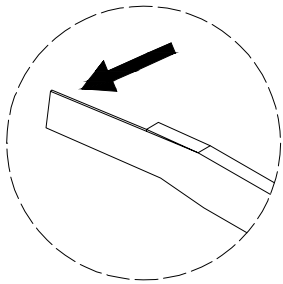
# Step 24



Pass the light strip through the wooden board from behind

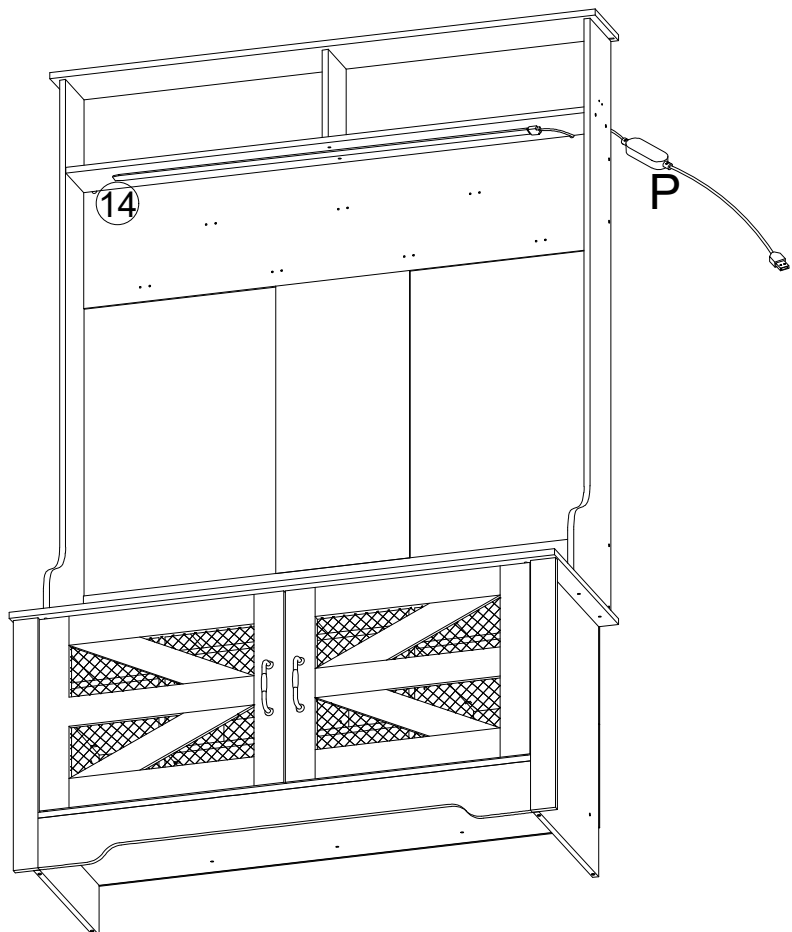


# Step 25

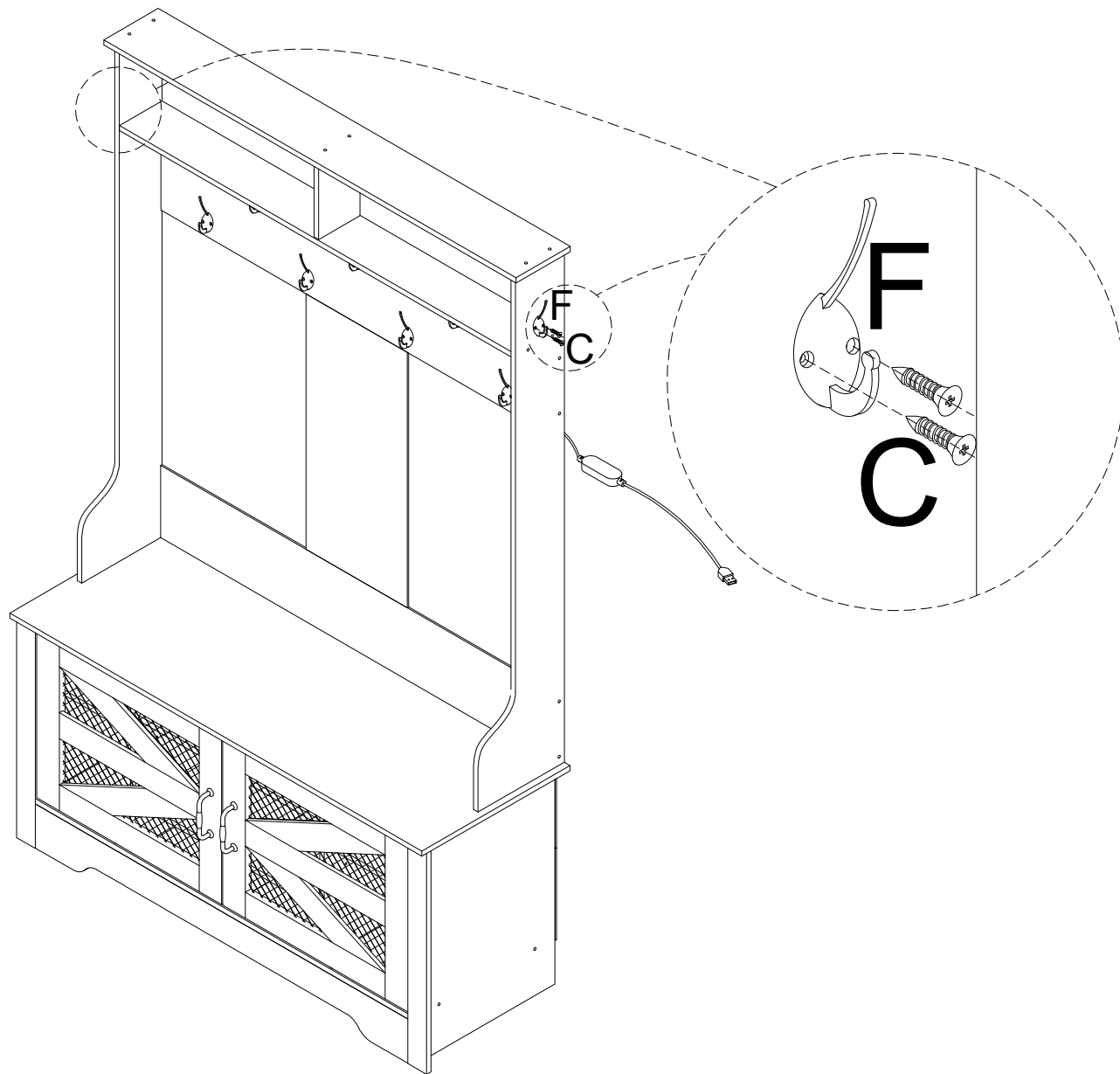




Be careful to tear off the red paper on the back of the light strip

Stick the light strip to the bottom of 14

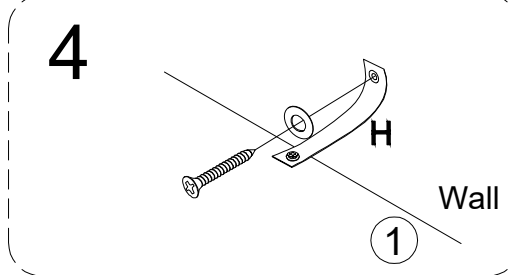
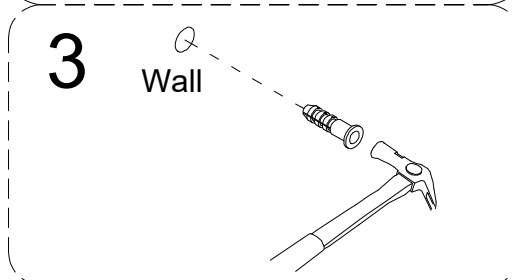
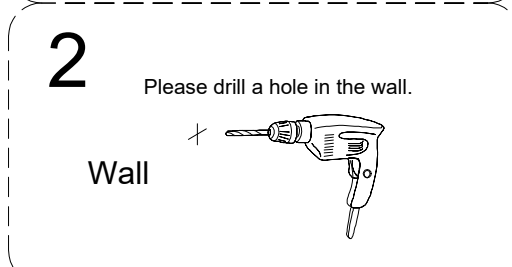
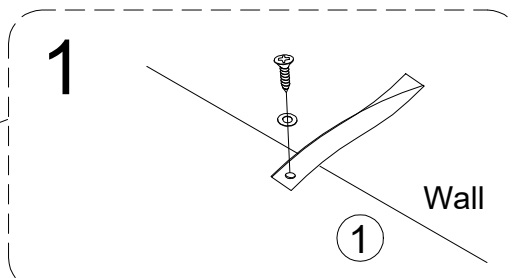
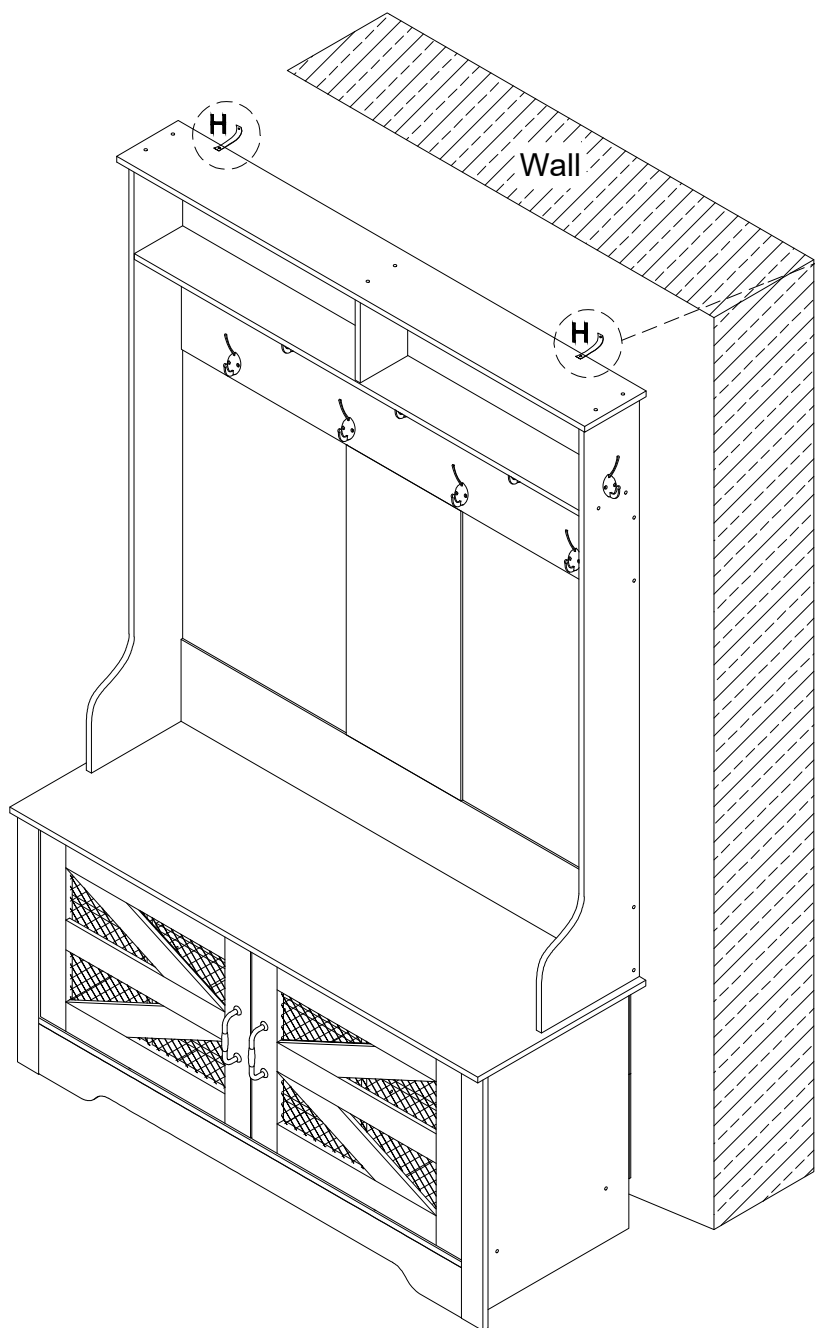


# Step 26



<b>C</b>	x4	<b>F</b>	x2
			
<b>3.5x14</b>			

# Step 27



H	x2