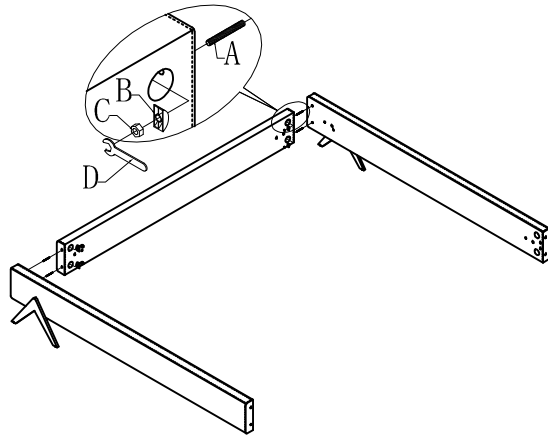
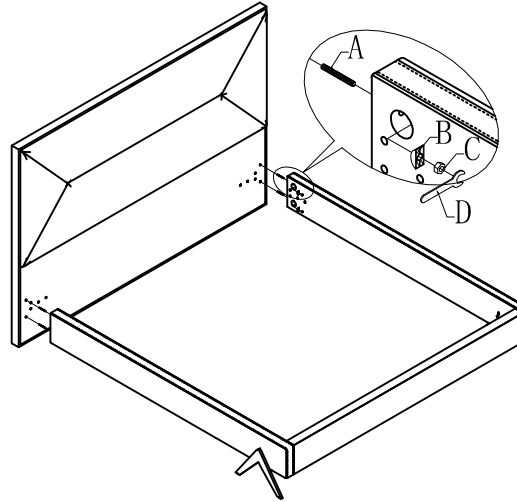


①



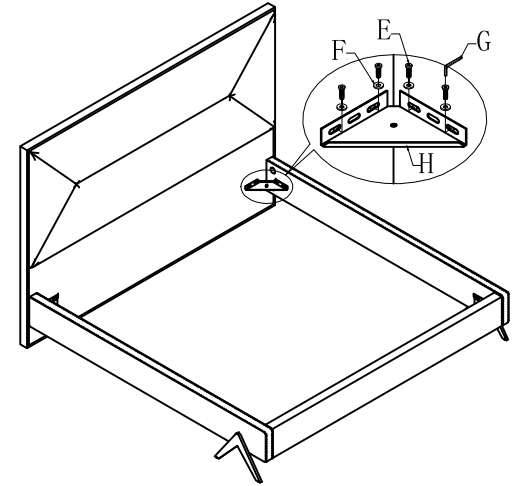
A=4  
B=4  
C=4  
D=1

②



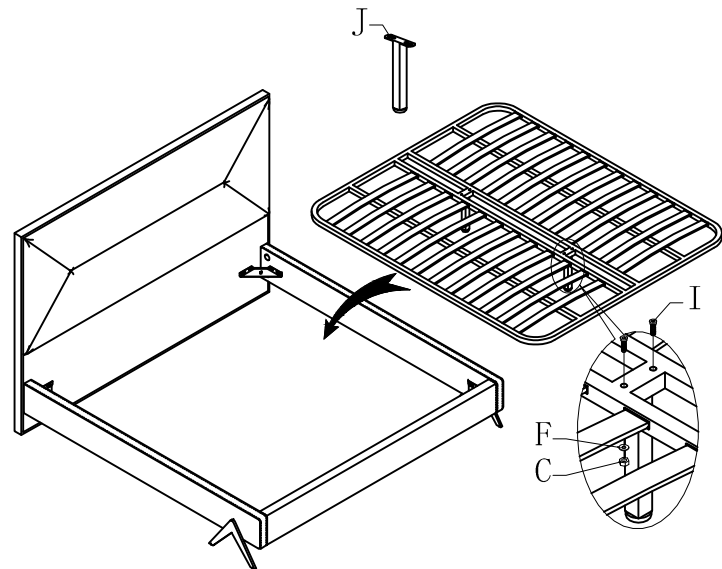
A=4  
B=4  
C=4

③



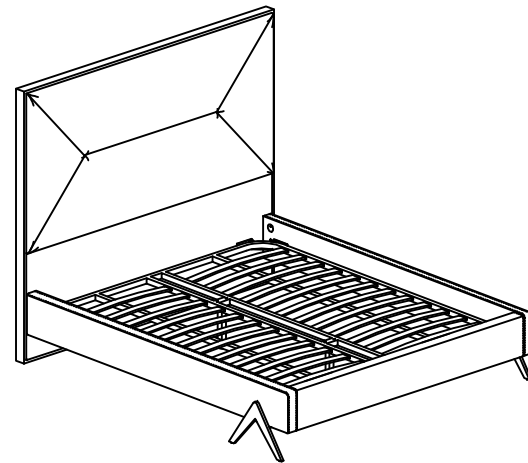
E=16  
F=16  
G=1  
H=4

④



C=4  
F=4  
I=4  
J=2

⑤



| CODE | PICTURE     | QTY |
|------|-------------|-----|
| A    | M8*85mm     | 8   |
| B    |             | 8   |
| C    |             | 12  |
| D    |             | 1   |
| E    | M8*25mm     | 16  |
| F    | $\phi$ 19mm | 20  |
| G    | M5*65mm     | 1   |
| H    |             | 4   |
| I    | M8*45mm     | 4   |
| J    | H=245mm     | 2   |