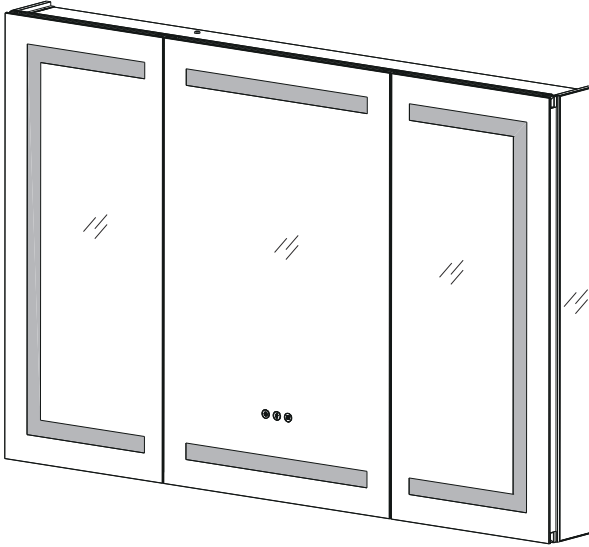


LED Lighted Bathroom Mirror Cabinet



48"×32"

60"×32"

48"×36"

60"×36"

CONTACT US

After opening the package, please inspect the product immediately for any damage or missing parts. If you find any, feel free to contact us at tfmirror@gmail.com or find us at Amazon by following steps:

- Open "Orders" at Amazon, find the product you have purchased and open the product page;
- Click "Ask a question" on the redirected page;
- Click "An order I have placed" in the chat with Seller Messaging Assistant ;
- Click in sequence "Your product", "Other", "Troubleshooting" from available options, you will see a message box after that.

Please leave us a message, and we will reply within 24 hours.

For easy and safe installation, please refer to the following:

- Read all instructions thoroughly before installing the enclosed product
- Read and take note of all safety, care and maintenance information.

**PLEASE KEEP THIS MANUAL FOR FUTURE REFERENCE
DURING PRODUCT OPERATION AND MAINTENANCE.**

SAFETY INSTRUCTIONS

Thank you very much for choosing our Medicine Mirror Cabinet. For your safety, it is very important that the following instructions are read carefully and completely before beginning the assembly and installation of this lighting fixture:

WARNING -TO REDUCE THE RISK OF BURNS, FIRE, ELECTRICAL SHOCK OR INJURY TO PERSONS:

1. It is strongly recommended that two or more adults install this Medicine Mirror Cabinet.
2. Disconnect power at the circuit breaker before putting on or taking off parts. To disconnect, turn all controls to the off position, then disconnect power from the AC/DC adaptor.
3. Use only power driver that was provided with this product. Using a different power driver will damage the lights and may cause fire, electrical shock hazard.
4. Always wear suitable eye protection before drilling.
5. Keep the voltages between 110V and 120V. If the voltage exceeds 120v, please use the transformer.
6. Use this furnishing only for its intended use as described in these instructions. Do not use attachments/accessories not recommended by the manufacturer.
7. Never operate this furnishing if it is not working properly or if it has been dropped or damaged, or dropped into water.
8. Do not use outdoors. FOR HOUSEHOLD AND INDOOR USE ONLY.
9. Do not operate where aerosol (spray) products are being used or where oxygen is being administered.
10. The appliance is not to be used by persons (including children) with reduced physical, sensory or mental capabilities, or lack of experience and knowledge, unless they have been given supervision or instruction. Children should be supervised to ensure that they do not play with the appliance.

WARNING:

The light source of this product is non-changeable light diodes (LED). Do not disassemble the product, as the light diodes can cause damage to the eye.

CAUTION:

1. Risk of Electrical Shock – Connect this furnishing to a properly grounded outlet only.
2. Grounding Instructions: This product must be connected to a grounded metal, permanent wiring system, or an equipment-grounding conductor must be run with the circuit conductors and connected to the equipment-grounding terminal or lead on the product.

The medicine cabinet supports two installation methods:

1 Surface-mount Installation



2 Recess-mount Installation

Please choose the installation way as needed.

Remove the Door(s) prior to mounting your Cabinet(s)

Important: Installation Requires Two or More Adults!



Remove the door before mounting the cabinet to the wall and reattach the door after the cabinet is installed.

Please refer to the following detailed instructions for more information.



WARNING: Risk of electrical shock.

A licensed electrician should make all electrical connections.

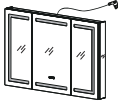






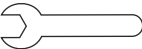


WARNING: Risk of electrical shock.

Disconnect power before servicing.

PARTS LIST

What's in the box

| No. | Description | Draw | QTY.(pcs) |
|-----|---------------------------|---|-----------|
| A | Medicine Cabinet |  | 1 |
| B | Top Mounting Bracket |  | 1 |
| C | Bottom Bracket with Screw |  | 2 |
| D | Anchor A & M4x45mm Screw |  | 7 |
| E | Anchor B & M4x50mm Screw |  | 7 |
| F | Wire Junction Box |  | 1 |
| G | Bubble Level |  | 1 |
| H | Spanner |  | 1 |

TOOLS (not included)



Electric Drill



Pencil



Tape Measure

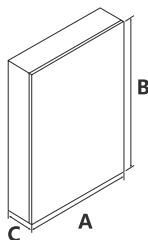


Phillips-head screwdriver



Safety Goggles

DIMENSIONS



A-Cabinet's Width
B-Cabinet's Height
C-Cabinet's Depth

NOTE: For installation guidance:

* Surface Mount: Please refer to the overall dimensions of the medicine cabinet.

* Recess Mount: Consult the rough-in (Wall Cut-out) dimensions for proper fitting.

NOTE: All rough-in dimensions for reference only!

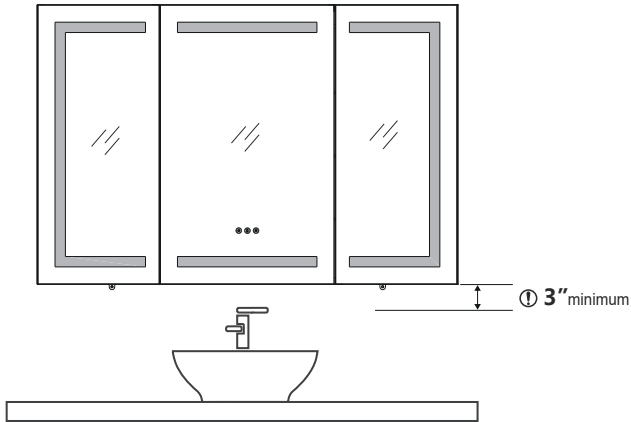
| ModelNumber | Item | A | B | C | Rough in size |
|---------------|------|-----|-----|----|---------------------------------|
| TFGBE309-4832 | | 48" | 32" | 5" | 47-1/2"(W)x31-1/2"(H)x4-7/8"(D) |
| TFGBE309-6032 | | 60" | 32" | 5" | 59-1/2"(W)x31-1/2"(H)x4-7/8"(D) |
| TFGBE309-4836 | | 48" | 36" | 5" | 47-1/2"(W)x35-1/2"(H)x4-7/8"(D) |
| TFGBE309-6036 | | 60" | 36" | 5" | 59-1/2"(W)x35-1/2"(H)x4-7/8"(D) |

PRE-ASSEMBLY

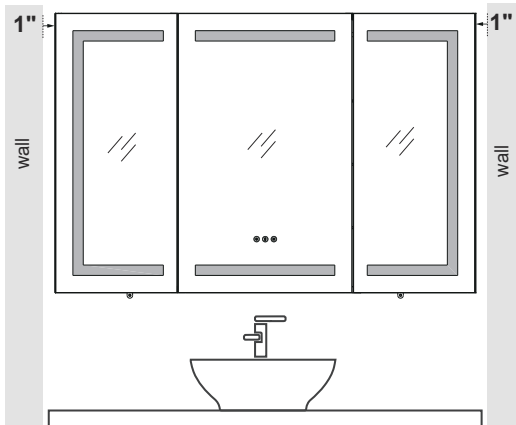
PRE-ASSEMBLY ATTENTIONS:

1. After opening the package, please inspect the product immediately for any damage during transit or missing parts.
2. Remove all parts and hardware from the box along with any plastic protective packaging.
3. Do not discard any contents until after assembly is complete to avoid accidentally discarding small parts or hardware.
4. Before drilling, please ensure there are no hidden cables or pipes (water, gas, or electrical) behind hanging points.
5. If the product is placed on the ground for operation, please place a blanket to protect under the product. Do not place the product on the ground directly.

★ Verify minimum clearances



★ Place the mirror cabinet in the installation area, ensuring there is a gap of more than 1" between the cabinet and the wall.



ELECTRIC CONNECTIONS

ALL WIRING SHOULD BE DONE BY A QUALIFIED LICENCED ELECTRICIAN.

! WARNING: Shut off power before wiring the cabinet.
Requires 120 VAC 20 Amp GFI protected circuit.

GROUNDING INSTRUCTIONS:

! CAUTION: This product must be connected to a grounded metal permanent wiring system or an equipment-grounding conductor must be run with the circuit conductors and connected to the equipment grounding terminal or lead on the product.

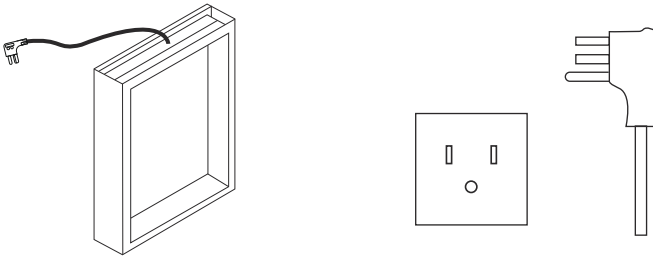
! WARNING: An electrical option cabinet must be wired to a 20 Amp GFI (Ground Fault Interrupter) protected circuit when used in bathrooms and all other locations required by the National Electric Code.

Safety First! Wire Connection Guide

There are two ways to connect the power. You can connect the wires directly to your junction box or insert the plug directly into the wall socket.

Option 1: Plug-in

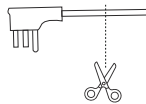
Insert the plug to the socket



Option 2: Hardwired

Remove the plug and use the included junction box to connect the wires with the household wiring.

BLACK WIRE --- POWER SUPPLY L (LINE)
WHITE WIRE --- POWER SUPPLY N (NEUTRAL)
GREEN WIRE --- POWER SUPPLY G (GROUND)



How to Connect?

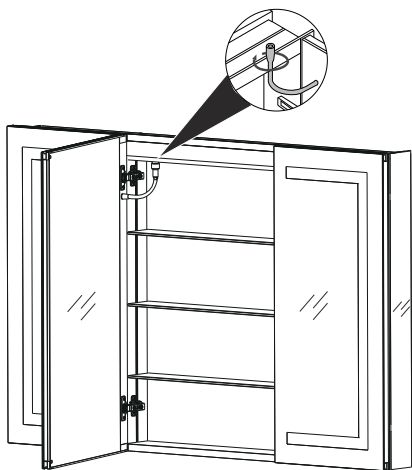


- 1.Strip the wire insulation approximately 10mm.
- 2.Open the connector and insert the wire into the outlet.
- 3.Press the connector to complete the wiring.

PRIOR TO MOUNTING

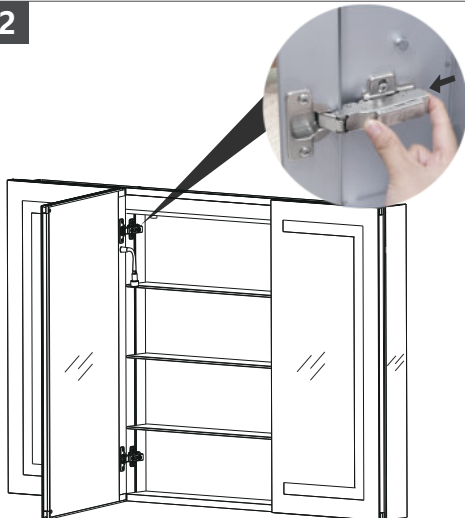
★ Remove the Door(s) prior to mounting your Cabinet(s). ★

1



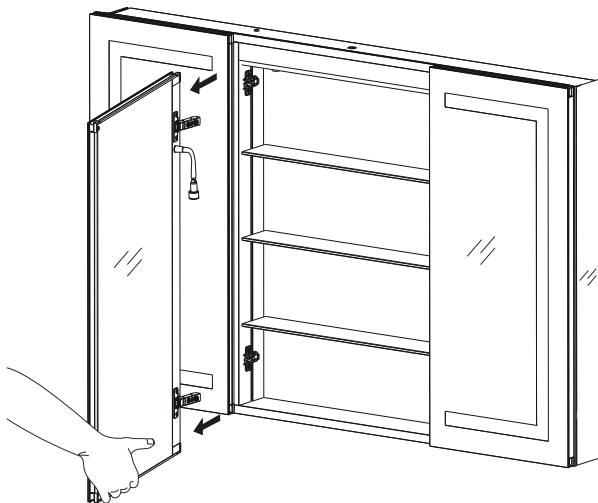
- Loosen the external screw cap on the power cable at the inner top of the cabinet, and then unplug the cable.

2



- Press the bottom of the hinge to release the door.

3





- Carefully remove the door(s) and lay it on a soft blanket.

6

SURFACE MOUNT INSTALLATION

Secure it! Wall Anchoring Guide

The hardware used to secure your medicine cabinet to the wall depends on your wall material. If your wall material is not listed or if you have any questions, consult with a local hardware retailer.

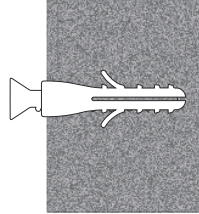
| Thickness of Wall | Applicable Anchors&Screws | Recommended Drill Bit | Recommended Drill Depth |
|--------------------|---|-----------------------|-------------------------|
| >5/8"(16mm) |  | 5/16"(8mm) | 50mm |
| 5/16"-5/8"(8-16mm) |  | 25/64"(10mm) | |
| <5/8"(8mm) | | Unapplicable | Unapplicable |

WALL MATERIAL

Masonry (concrete or brick
Mortar)

ANCHORING DEVICE (Anchor A Set)

Plug with screw.

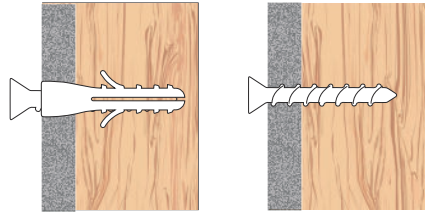


WALL MATERIAL

Drywall or plaster with available
wood stud

ANCHORING DEVICE (Anchor A Set)

Screw inserted directly into stud
or plug with screw.



WALL MATERIAL

1. Drywall without available wood stud
2. Hollow Wall

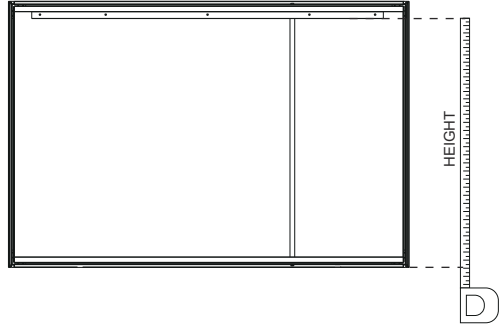
ANCHORING DEVICE (Anchor B Set)



SURFACE MOUNT INSTALLATION

1

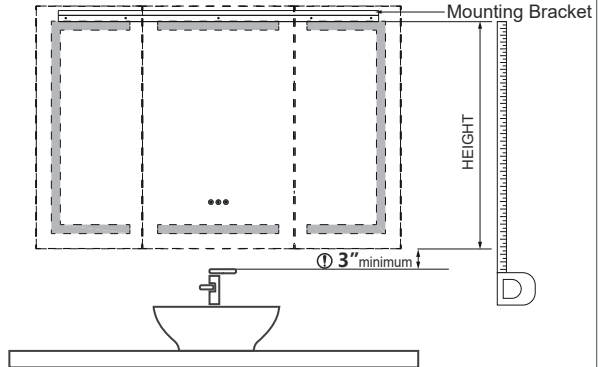
Measure the distance from the bottom of the Mounting Bracket on the back of the medicine cabinet to the bottom of the medicine cabinet.



2

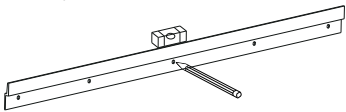
Confirm the installation position of the Mounting Bracket.

Attention: Please hang the cabinet at least 3 inches above the faucet.



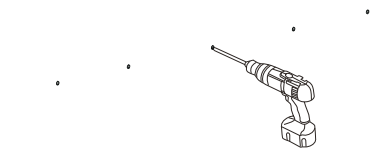
3

! Top mounting bracket must be attached to furring strip/channel or wall studs



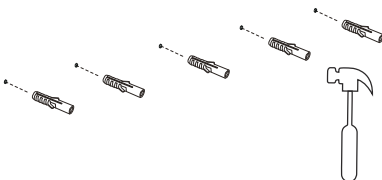
Mark spots for the top bracket.

4



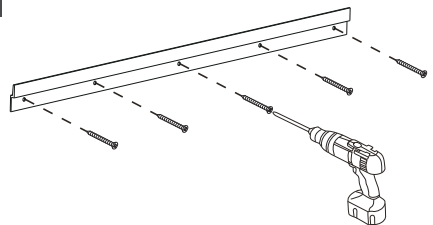
Drill holes in the wall.

5



Use a hammer to insert the expansion screw into the hole.

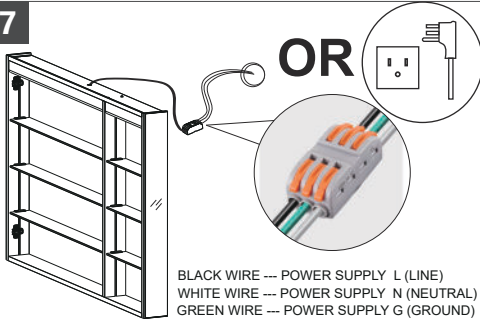
6



Secure the top mounting bracket with screws.

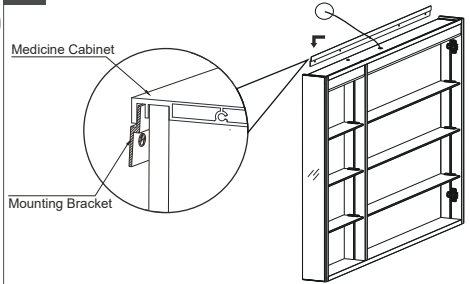
SURFACE MOUNT INSTALLATION

7



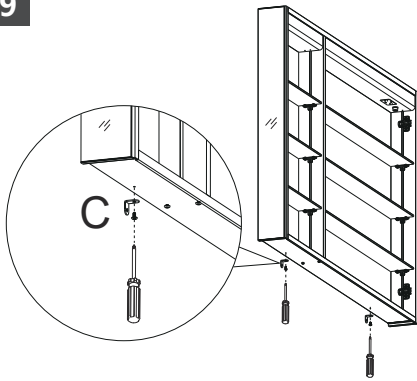
Hardwired or Plug-in.

8



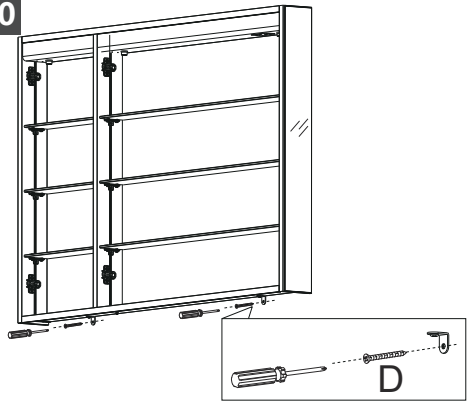
Lift the cabinet onto the mounting bar.

9



Position the bottom bracket at the base of the cabinet and secure it with the screw.

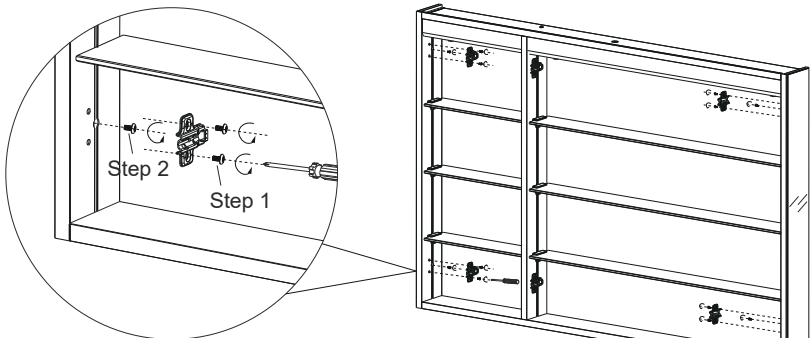
10



NOTE: Secure the bracket to the wall using the long screw.

RECESSED MOUNT INSTALLATION

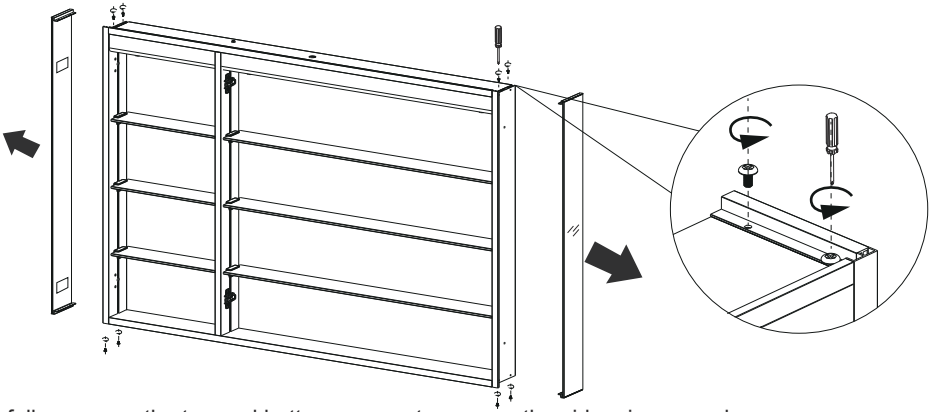
1



Step 1: Remove the hinge base plates from both vertical sides of the cabinet.
Step 2: Unscrew the hidden screws located inside the slots.

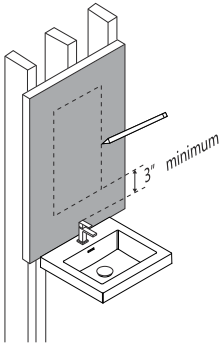
RECESSED MOUNT INSTALLATION

2



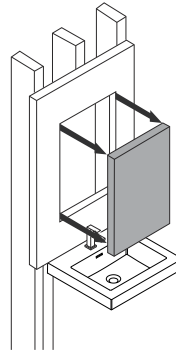
Carefully unscrew the top and bottom screws to remove the side mirror panels.

3



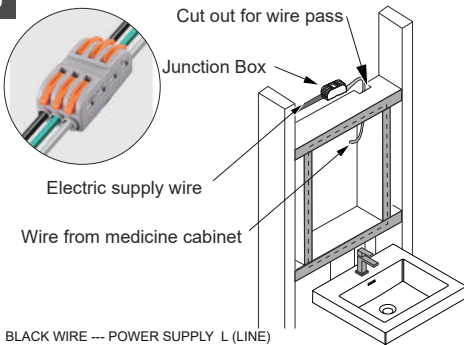
Draw the perimeter of the cabinet on the wall.

4



Cut the marked perimeter with suitable tool.

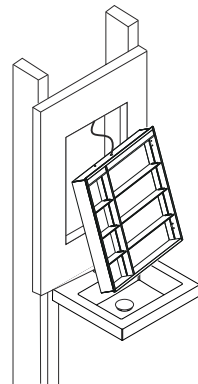
5



BLACK WIRE --- POWER SUPPLY L (LINE)
WHITE WIRE --- POWER SUPPLY N (NEUTRAL)
GREEN WIRE --- POWER SUPPLY G (GROUND)

Frame the opening for the cabinet based on the measurements.

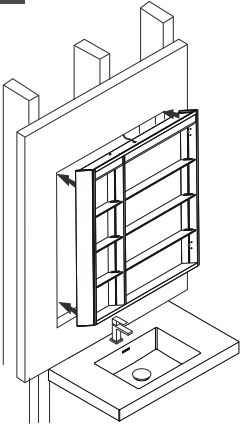
6



Connect electrical wires before inserting the cabinet into the opening.

RECESSED MOUNT INSTALLATION

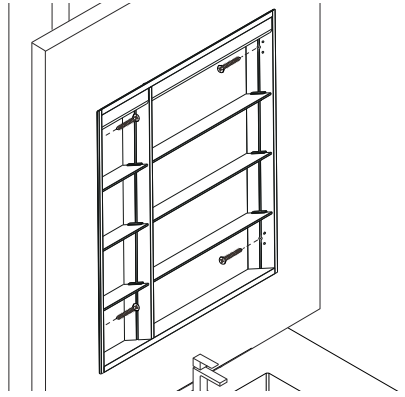
7



Be careful to avoid squeezing the wiring while insert the cabinet.

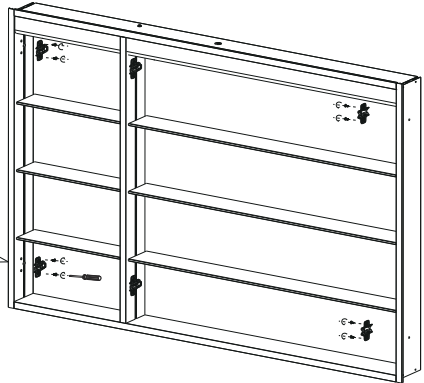
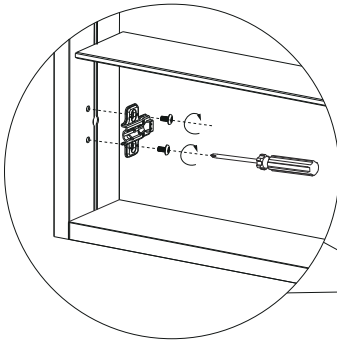
Place the cabinet into the opening.

8



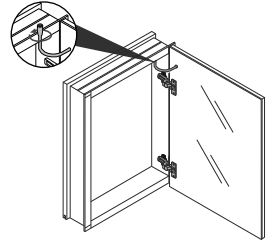
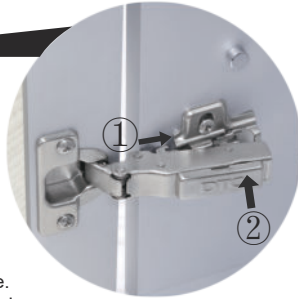
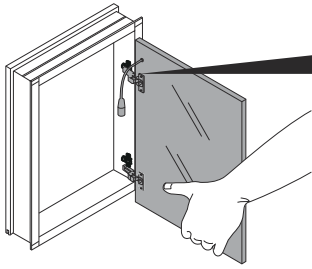
Secure the cabinet to the framing studs with screws.

9



Install the hinge base plates on the left and right sides of the cabinet

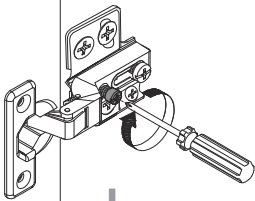
REATTACH THE DOORS



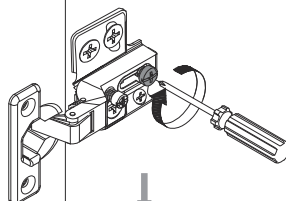
Align the hinge pin (like a little "C") in place. Press the hinge down and you hear a 'click,' indicating the hinge is successfully installed.

Insert the power cable into the top of the cabinet and tighten the screw cap.

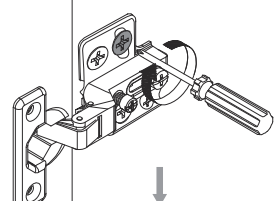
HINGE ADJUSTMENT



Turn the screw to adjust the depth of door overlay;



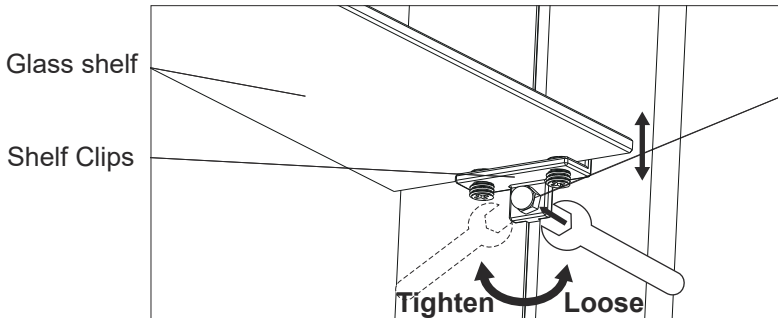
Turn the front screw to adjust the gap between the door and cabinet;



Turn the eccentric screw to release the door, allowing the door to be moved up and down.

ADJUST THE HEIGHT OF THE GLASS SHELF

1. Loosen the Cap Nut: Use the small spanner to gently loosen the cap nut on both sides. (Important: Do not fully remove the cap nut.)
2. Adjust the Shelf: Position the shelf to the desired height.
3. Secure the Cap Nut: Firmly tighten the cap nut on both sides to lock the shelf in place.

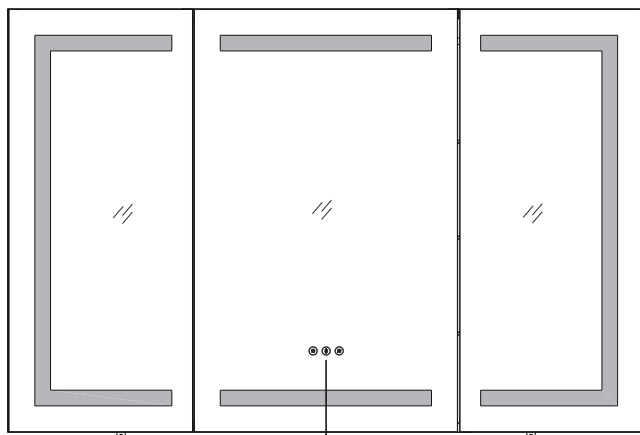


Adjustment cap nut



NOTE: Do NOT completely remove the cap nut.

BUTTON CONTROL



TURN ON/OFF



COLOR & STEPLESS DIMMING



DEFOGGER

1. When connecting the power, the first and second buttons will be in the ON state (white backlight), while the third defogging button will remain in the OFF state (yellow backlight).

2. All the buttons will illuminate with a white backlight when ON and a warm yellow backlight when OFF.



1. Tap this button will turn the power ON or OFF.
2. When all the three buttons are off, long press this button to turn off the button backlight.



1. To change the color temperature, simply tap the button to select your preferred setting: warm light, natural light, or cool white light.
2. Press and hold to adjust the light's brightness.
3. Factory Setting: The mirror comes pre-set at 100% brightness. If you find it too bright, simply press and hold to dim the light to your desired level.



1. Tap the button to activate or deactivate the defogging function.
2. The defogger is designed to switch off automatically after 60 minutes. To reactivate, simply tap the button again.

SPECIFICATIONS

| PARAMETER | SPECIFICATION |
|----------------------|---------------------------------|
| Dimmer | 10%-100% |
| Color Temperature | 3000K/4000K/6500K |
| LED Light Quantities | 192pcs/M |
| LED Life Span | 50,000 hours |
| CRI | 90+ |
| Defogger | YES |
| Memory Function | YES |
| Switch | Touch Sensor |
| Input Voltage | 120V AC |
| Output Voltage | 24V DC |
| Certification | ETL Certified for damp location |
| Copper Free Mirror | YES |
| Wiring Method | Hardwired or Plug-in |
| Dual Ports | 2 Outlets + 2 USB |
| Mount Type | Recessed / Surface |

MAINTENANCE

Use Environmental Requirements

- Mirror cabinet is suitable for use in damp environments and should not be installed directly within splash zone.
- Do not allow water to splash on the cabinet body. If you accidentally get water, wipe it with a dry cloth in time to keep the cabinet dry and clean.

Cleaning and Maintenance

- For safety, please always unplug this medicine mirror cabinet before cleaning.
- The interior is constructed of mirrored glass and aluminum. Use only a damp cloth to clean. Ammonia or vinegar based cleansers can damage mirrors.
- When cleaning, spray the cloth, not the mirror, or surrounding surfaces. Do not use abrasive cleansers on any parts of the light fixture.