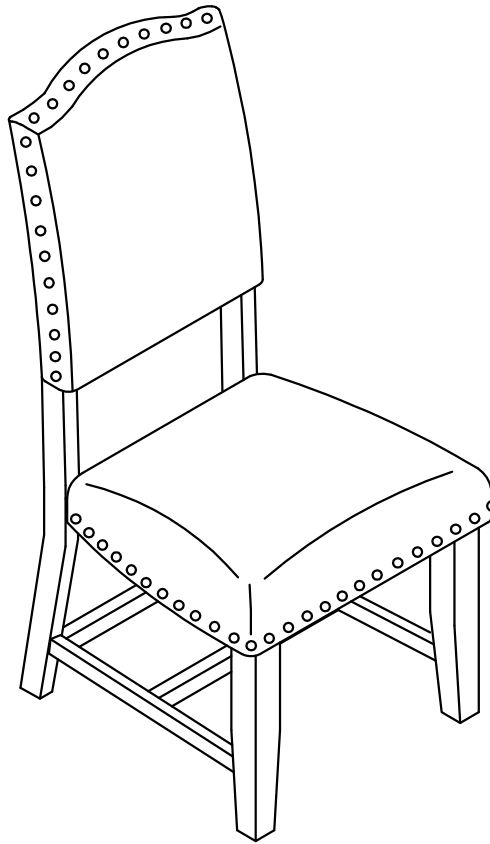


Assembly Instructions



ASSEMBLY RATING

The Assembly Rating is a 5-point system that shows the degree of effort needed in assembling a specific product (with 1 being easy and 5 being difficult). For some products, two persons are recommended.

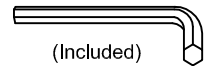
EASY



DIFFICULT

Tools Required For Assembly:

Allen Wrench



(Included)

Phillips Screwdriver



(Not Included)

ASSEMBLY & CARE ADVICE

FOR YOUR FURNITURE TO LAST, CORRECT ASSEMBLY AND PROPER MAINTENANCE ARE NECESSARY. PLEASE FOLLOW THE INFORMATION PROVIDED BELOW TO FULLY ENJOY YOUR FURNITURE.

BASIC ASSEMBLY TECHNIQUES



When lock or spring washer is used in an assembly, please make sure the lock or spring washer is placed between the larger flat washer and the head of the screw or bolt.



Position each part correctly and insert screws or bolts into their respective holes by hand tighten or using the proper hand tool. Only tighten when step is completed or when instructed to do so.



Use cardboard or carpet area when assembling furniture to prevent scratches. Make sure the furniture rests on a flat and level surface with each leg evenly touching the floor.



Some furniture comes with height adjustment knobs underneath each leg. To lower or to raise each leg, you need to turn clockwise or counterclockwise, respectively.

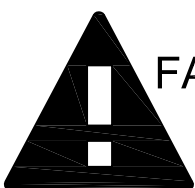


Make sure all parts are properly aligned, then use the appropriate hand tool to completely tighten the bolts or screws. Do not use power tools and do not overtighten.



Save the instructions and store the Allen wrench or any supplied tool for later maintenance. After two weeks, check and tighten any loose hardware and repeat again every six months thereafter.

IT IS THE USER'S RESPONSIBILITY TO MAINTAIN THE FURNITURE. THE HARDWARE MAY LOOSEN OVER TIME AND MAY CAUSE THE FURNITURE TO BE WOBBLY AND UNABLE TO SUPPORT ITS INTENDED WEIGHT CAPACITY. THIS MAY LEAD TO COLLAPSE AND MAY CAUSE SERIOUS INJURY.



FAILURE TO FOLLOW THE GUIDELINES ABOVE MAY RESULT IN INJURY AND/OR PROPERTY DAMAGE.

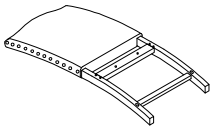


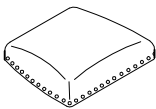
Before you begin, please read Page 2 of "Assembly and Care Advice".

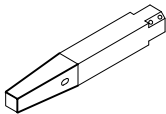
And remember, do not tighten until each step is completed or instructed.

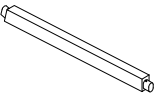
Parts List

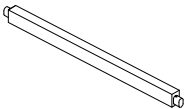
Hardware List

- 


#1 x 1pc x 2
Chair Back
- 


#2 x 1pc x 2
Seat Cushion
- 


#3 x 2pcs x 2
Front Leg (L&R)
- 


#4 x 2pcs x 2
Stretchers (L&R)
- 

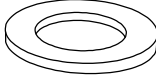
#5 x 1pc x 2
Mid Stretchers


- 


#A x 4pcs x 2
Bolt Ø1/4" x 3"
- 


#B x 4pcs x 2
Bolt Ø5/16" x 2-3/8"
- 

#C x 2pcs x 2
Bolt Ø5/16" x 1-1/2"
- 

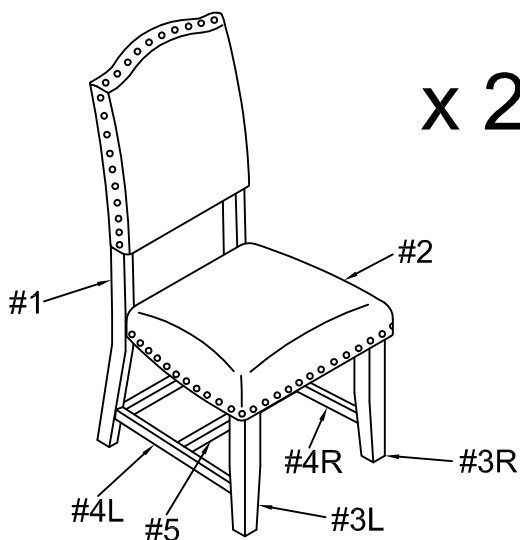
#D x 10pcs x 2
Lock Washer Ø5/16
- 

#E x 10pcs x 2
Flat Washer Ø5/16
- 

#F x 1pc x 2
Allen Wrench 4mm
- 

#G x 4pcs x 2
Screw #8 x 1-9/16"
- 

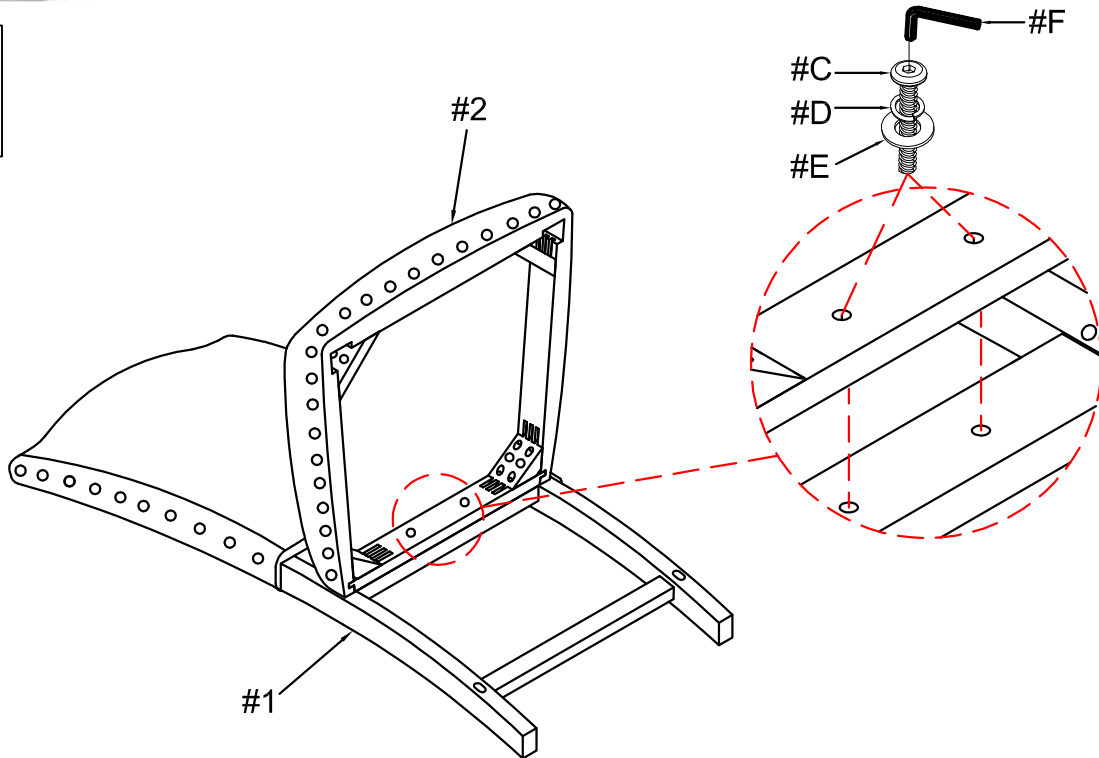
#H x 2pcs x 2
Screw #8 x 1"





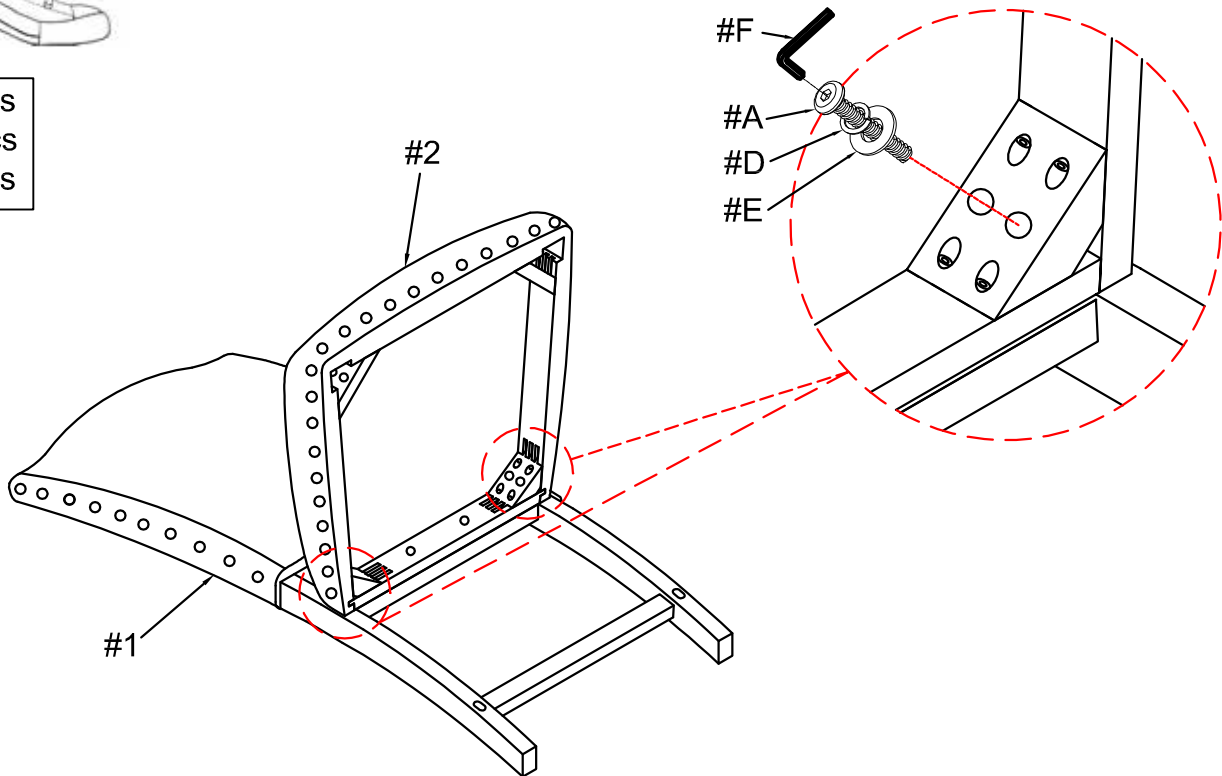
Prepare 2 bolts assembly by inserting lock washer (#D), then flat washer (#E) onto bolts (#C). Align chair seat (#2) to the holes of the chair back (#1). Secure center 2 holes by using bolts (#C). Do not fully tighten bolts (#C).

- #C x 2pcs
- #D x 2pcs
- #E x 2pcs



Prepare 4 bolts assembly by inserting lock washer (#D), then flat washer (#E) onto bolts (#A). Secure corner holes of the seat (#2) to chair back (#1) by using bolts (#A). Fully tighten all bolts (#A,C).

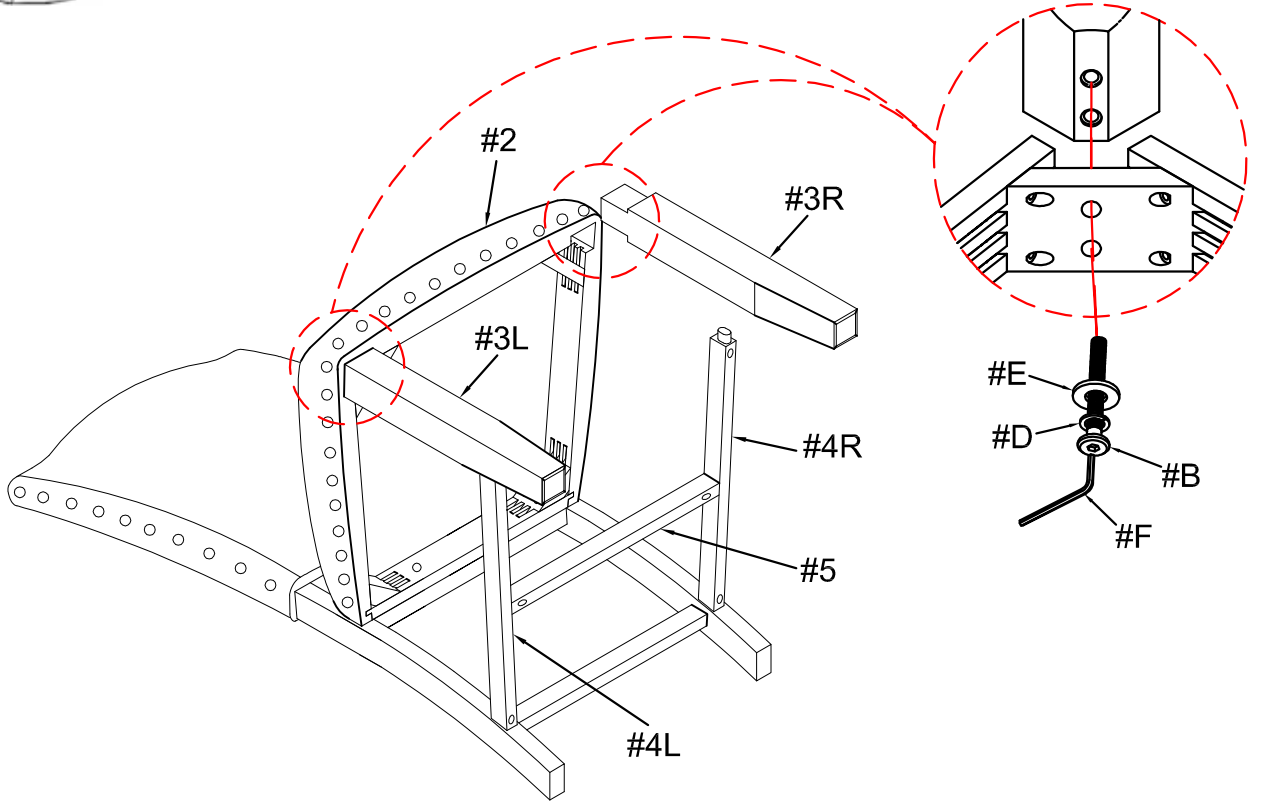
- #A x 4pcs
- #D x 4pcs
- #E x 4pcs





1) Prepare 4 bolts assembly by inserting lock washer (#D), then flat washer (#E) onto bolts (#B). Align front legs (#3R/L) to the holes of the chair seat (#2). Secure by using bolts (#B), but do not fully tighten.
 2) Align side stretchers (#4R/L) to the gaps of the legs. Align middle stretcher (#5) to the gap of the side stretchers (#4R/L). Fully tighten bolts (#B) on front legs.

#B x 4pcs
 #D x 4pcs
 #E x 4pcs



#G x 4pcs
 #H x 2pcs

Secure side stretchers (#4R/L) by using screws (#G).

Secure middle stretcher (#5) by using screws (#H).

