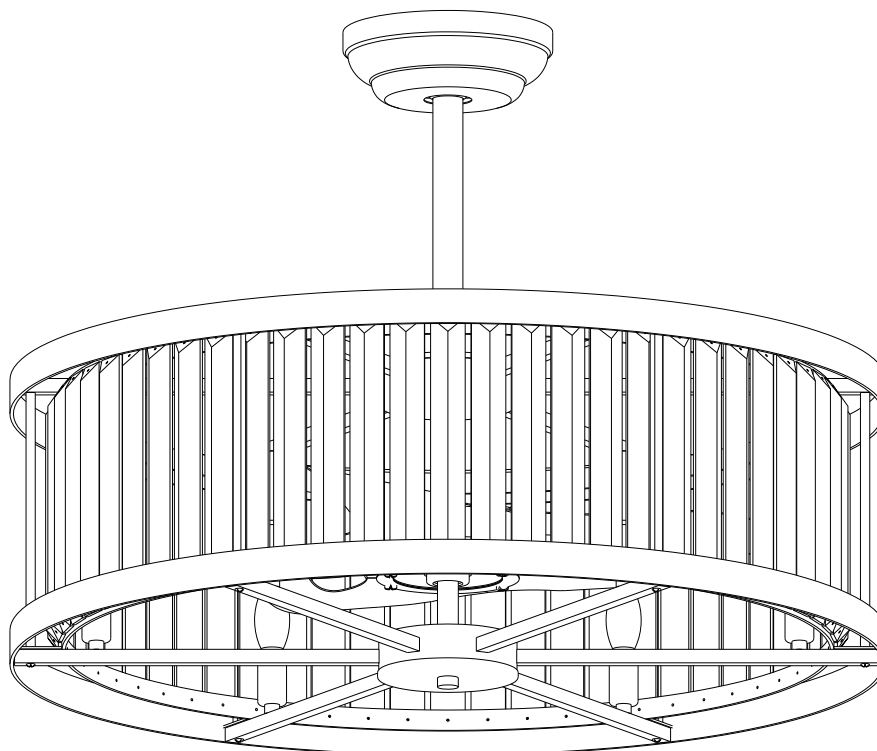


USE AND CARE GUIDE

Fandelier 30 inch Chrome Ceiling Fan



Warranty

The supplier assure that The fan motor is from defects in workmanship and material present at time of shipment from the factory for a lifetime after the date of purchase by the original purchaser. The supplier also warrants that all other fan parts, excluding any glass or acrylic blades, to be free from defects in workmanship and material at the time of shipment from the factory for a period of . We agree to correct such defects without charge or at our option replace with a comparable or superior model if the product is returned.

To obtain warranty service, you must present a copy of the receipt s proof of purchase. All costs of removing and reinstalling the product are your responsibility. Damage to any part, such as by accident, misuse, improper installation or by affixing any accessories , is not covered by this warranty. Because of varrying climatic conditions this warranty does not cover any changes in brass finish , including rusting, pitting, corroding, tarnishing. or peeling. Brass finish of this type give their longest useful life when protected from varying weather conditions. A certain amount of "wobble" is normal and should not be considered a defect. Servicing performed by unauthorized persons shall render the warranty invalid. There is no other spress warranty. hereby di sclaims any and all warranties, including but not limited to those of merchantability and fitness for a particular purpose to the extent permitted by law. The duration of any impiled warranty which cannot be disclaimed is limited to the time period as specified in the spress warranty. Some states do not allow a limitation on how long an implied warranty lasts, so the above limitation may not apply to you. The retailer shall not be liable for incidental, consequential, or special damages arising out of or in connection with product use or performance except as may otherwise be accorded by law. Some states do not allow the exclusion of incidrntal or consequential damages, so the above exclusion or limitation may not apply to you. This warranty gives specific legal rights, and you may also have other rights which vary from state to state. This warranty supersedes all prior warranties. Shipping costs for any return of products as part of a claim on the warranty must be paid by the customer.

Pre-Installation

SPECIFICATION

Size	Speed	Volts	Amps	Watts	RPM	CFM	Net Weight	Gross Weight	Cube Feet
30in	Level 1	120	0.04	2.4	196	1682	43.22LB (19.6KG)	52.92LB (24KG)	10.2cu. ft
	Level 2		0.06	3.5	235	2685			
	Level 3		0.07	4.5	270	3375			
	Level 4		0.1	6.5	318	4292			
	Level 5		0.13	9	348	4584			
	Level 6		0.2	14	423	5105			

The above data are for reference only, Actually the motor speed of each ceiling fan is a little different. Any products, Subject to actual products as standard.

Specifications & measurements shown are subject to ± 5% variations.



NOTE: These are approximate measures. They do not include the amps and wattage used by the light kit.

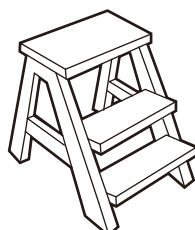
TOOLS REQUIRED



Phillips screwdriver



Flat blade screwdriver



Step ladder



Wire stripper



Electrical tape

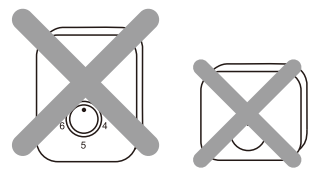
SAFETY PRECAUTION

IMPORTANT : PLEASE READ BEFORE INSTALLATION.

1. Do not connect this remote control ceiling fan to regulator or dimmer switch.
2. Installation must be carried out by a qualified wiring installer.
3. Turn off the electrical mains at the circuit breaker fuse box.
4. Do not use power supply other than 110-120V~ 60Hz.
5. This appliance must be earthed.
6. When mounting the fan, ensure that the safety wire is loop across the ceiling mounting hook.
7. The ceiling mounting hook must be able to withhold a min. weight of 60kg.
8. The ceiling fan must be mounted at a min. height of 7.5 feet / 2.3m of clearance from the floor.
9. Do not place any objects in the path of the blades.
10. When all electrical connections are done, store all wires neatly.
11. Make sure that all screws and connection are tightly screwed and secured.
12. Children should be supervised to ensure that they do not play with the appliance.
13. Ensure that the fan is switched off from the supply mains before removing the guard.

WARNING

This product is designed to use only those parts supplied with this product and/or accessories designated specifically for use with this product. Using parts and/or accessories not designated for use with this product could result in personal injury or property damage.



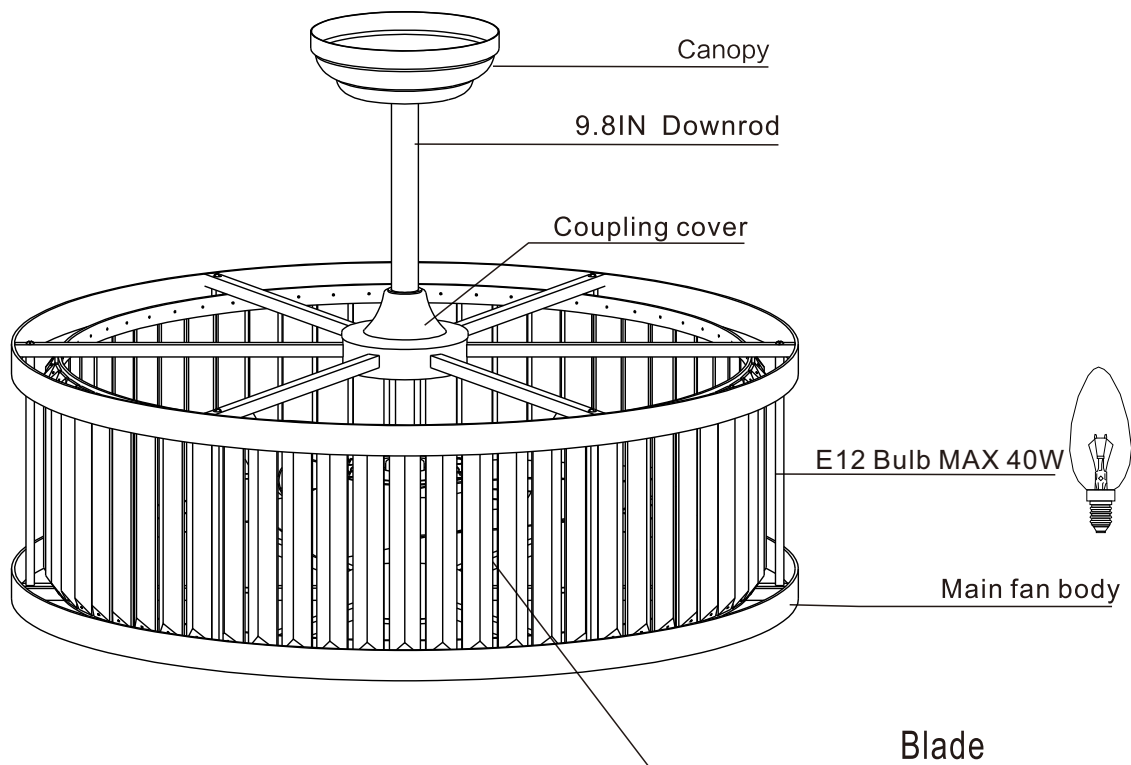
Regulator

Dimmer switch

NOTE :

The illustrations in this manual are for explanation purposes only and may differ from the actual unit. It is subjected to change without prior notice for further improvements.

PARTS & ACCESSORIES



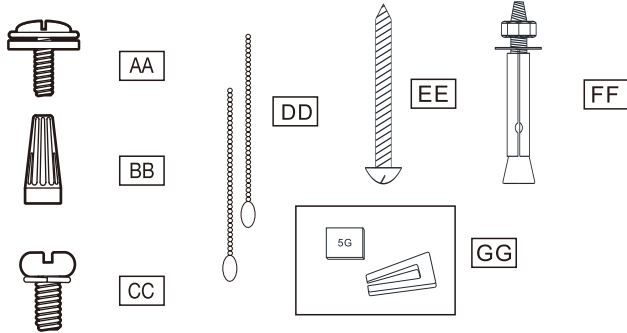
Pre-Installation(continued)

HARDWARE INCLUDED



NOTE: Hardware not shown to actual size.

components table



AA	Blade attachment screw and fiber washer	16
BB	Plastic wire nut (not to scale)	3
CC	Blade arm screw and lock washer	1
DD	Pull chain and fob (not to scale) < hand pull chain only >	2
EE	Mounting screws	4
FF	Expansion Bolts	2
GG	Balanced parts package	1

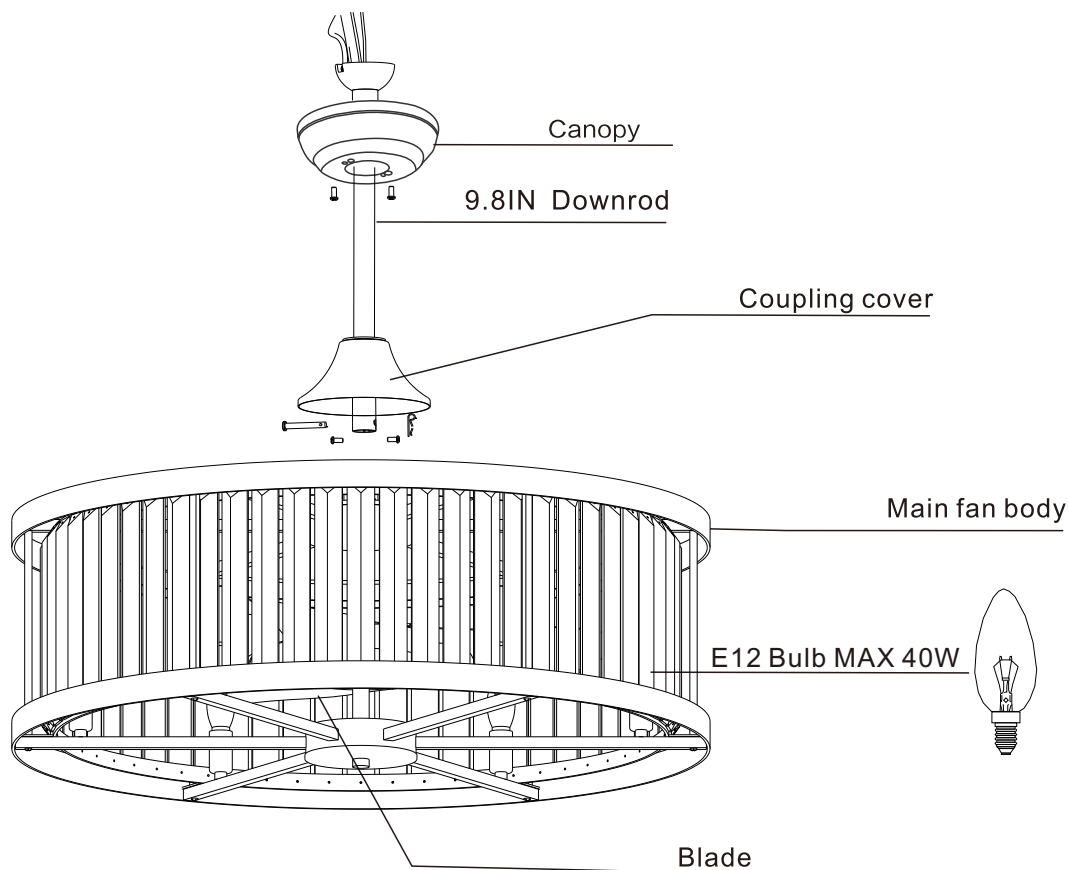
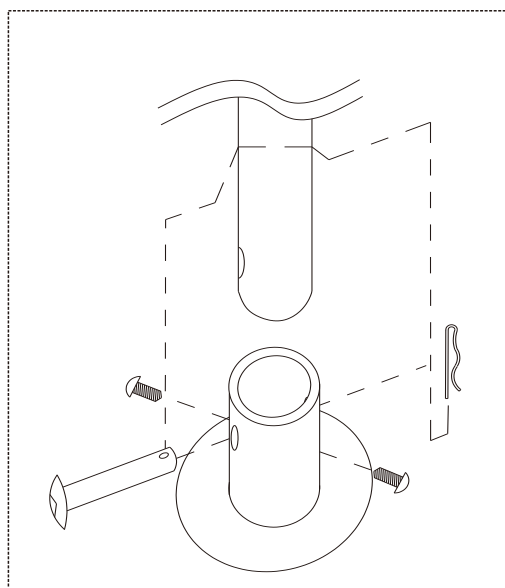
A	B	C
Main fan body	Remote control (Transmitter)	Remote control (receiver)

D	Slide-on mounting bracket (inside canopy)	1	F	25CM Ball/downrod assembly	1			
E	Canopy	1	G	50CM Ball/downrod assembly	1	H	Coupling cover	1

Assembly – Close-To-Ceiling Mount

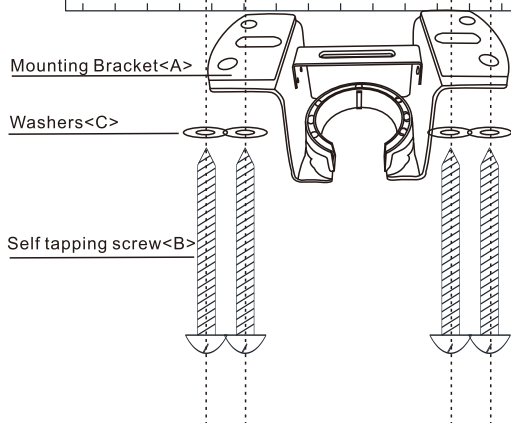
Routing the wires

1. Remove three of the six screw and lock washers (every other one) securing the motor collar to the top of the fan motor assembly
2. Route the wires exiting the top of the fan motor assembly through the rubber gasket aligning the holes in the rubber gasket with the three screw holes in the fan motor assembly, then through the canopy (make sure the slot opening is on top).
3. Place the canopy over the collar at the top of the fan motor assembly, aligning the mounting holes with the holes in the motor and fasten using the three screws and lock washers removed previously. Tighten the mounting screws securely.



INSTALLATION INSTRUCTION

Wooden ceiling



For wooden ceiling, use wood screw to drill on the wooden beam or the “junction box” to fix the hanging bracket (selection is made according to actual requirements of the customers).

STEP 1A-WOODEN CEILING

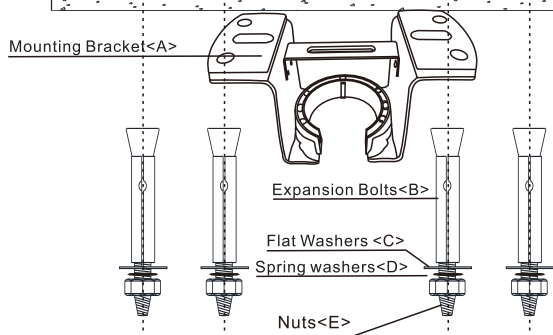
SWITCH OFF THE ELECTRICAL MAINS AT THE CIRCUIT BREAKER FUSE BOX.

- 1) Use the Mounting Bracket (A) as a guide, mark the spots where the 4 Self Tapping Screws (B) will be drilled.
- 2) Remove the Mounting Bracket (A), drill 4 holes for 3MM diameter, install the mounting bracket onto wooden ceiling with the 4 Self Tapping Screws (B) & Washers (C).



IMPORTANT : SCREWS MUST BE TIGHTENED TILL SNUG

CONCRETE CEILING



For concrete ceiling, use the percussion bit with diameter 8mm to drill holes according to the length of expansion screws. Then use the attached expansion screws to fix the hanging bracket onto the ceiling (selection is made according to actual requirements of the customers).

STEP 2A - CONCRETE CEILING

SWITCH OFF THE ELECTRICAL MAINS AT THE CIRCUIT BREAKER FUSE BOX.

- 1) Use the Mounting Bracket (A) as a guide, mark the spots where the 4 Expansion Bolts (B) will be drilled.
- 2) Remove the Mounting Bracket (A), drill 4 holes and insert 4 Expansion Bolts (2) into the concrete ceiling, install the mounting bracket and secure with Flat Washers (C), Spring Washers (D) and Nuts (E).



IMPORTANT : SCREWS & NUTS MUST BE TIGHTENED TILL SNUG



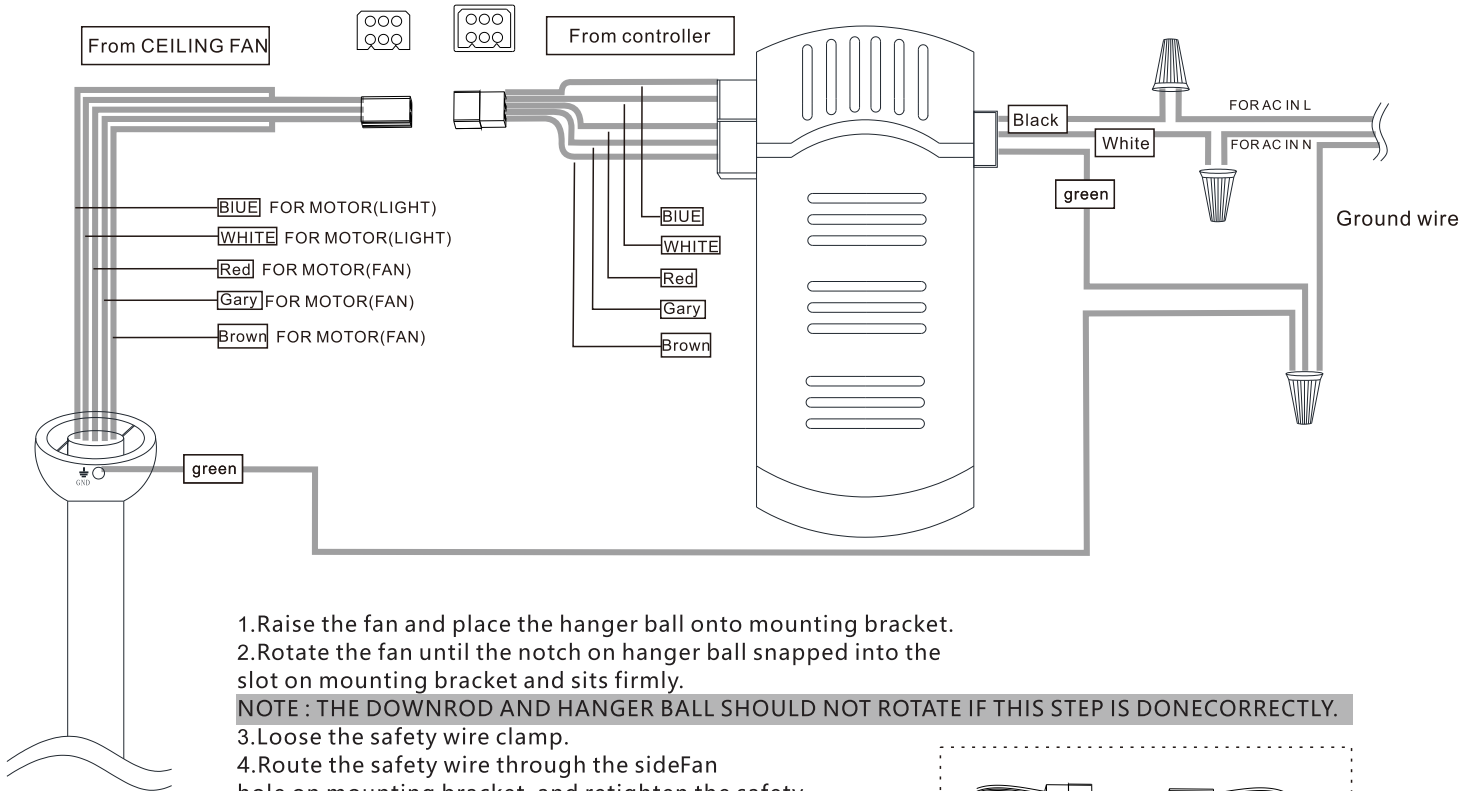
Remove the hanger from the motor.



Note: According to the ceiling of different materials, use different screws to fix the hanging bracket. Don't fix the hanging bracket on the wood ceiling less than 12MM to prevent danger caused by loosening of screws. After the hanging bracket is completed, ensure that it can withstand the tension test of more than 68KG for safety.

INSTALLATION INSTRUCTION

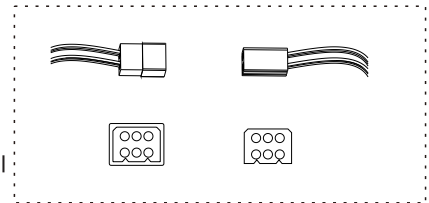
Wiring diagram



1. Raise the fan and place the hanger ball onto mounting bracket.
2. Rotate the fan until the notch on hanger ball snapped into the slot on mounting bracket and sits firmly.

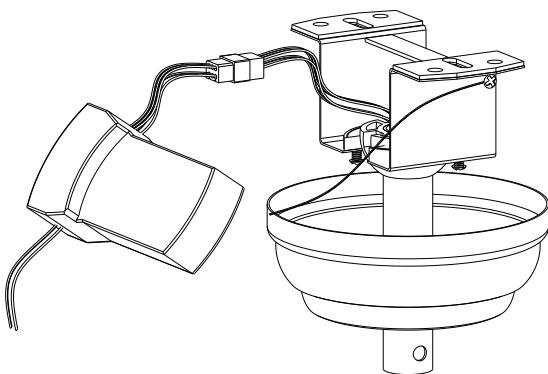
NOTE : THE DOWNROD AND HANGER BALL SHOULD NOT ROTATE IF THIS STEP IS DONE CORRECTLY.

3. Loose the safety wire clamp.
 4. Route the safety wire through the side fan hole on mounting bracket, and retighten the safety wire with safety wire clamp.
 5. Connect the wire connector plugs correctly.
- The wire connector plugs design with fool proof device, please don't force to plug. Otherwise it may affect the normal use of the light fan or burn the fan motor.



INSTALLATION INSTRUCTION

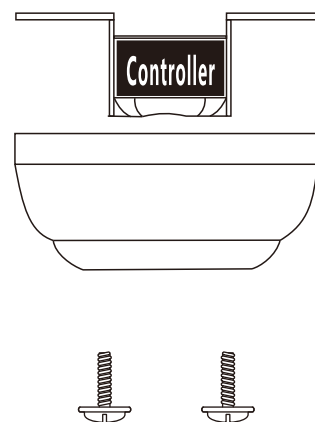
Install remote control



1. Carefully push the canopy to the bottom of the mounting bracket, make two sliding holes aligned to the two prominent screws on the mounting bracket, and then turn clockwise until tight.

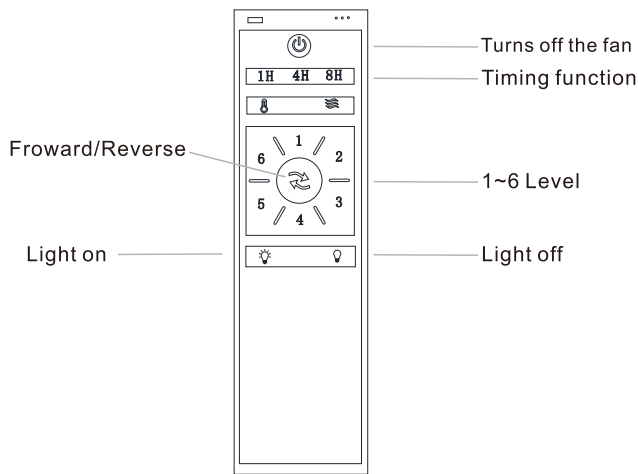
2. Push the canopy ring to the bottom of the canopy, slide the inner holes aligned to the two prominent screws on the mounting bracket again, and turn the canopy ring clockwise until tight.

Preparing for mounting



- 1: Remove the mounting bracket from the canopy by loosening the two canopy screws located in the L shaped slots.
- 2: Remove and save the two canopy screws in the round holes. This will enable you to remove the mounting bracket

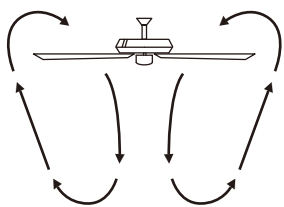
INSTALLATION INSTRUCTION



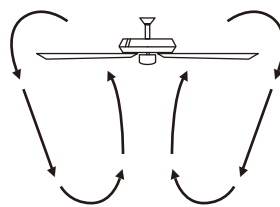
- FanSpeed 1~6control (1~low speed, 6~high speed)
- Turns off the fan
- Timing the fan
 - Auto off after 1hr
 - Auto off after 4hr
 - Auto off after 8hr
- Cancel timing setup
- Froward or reverse operation: Press the button for 2sec until there is a "BEEP" sound to chang fan rotating direction.(capprox.25sec)

1. Learning code matching mode is used between emitter and receiver. Turn "ON" the supply power within 30 seconds and press the emitter's button for 5seconds, it can load normally after hearing a long sound "bee", which means learning successfully and it can works normally. (PS: Learning mode is not accepted after turn "ON" the supply power for 30 seconds)
2. When the emitter cannot control the receiver, please check the battery switch touching normally or not, correction of the positive and negative, full or empty of the power.
3. When the emitter cannot control the receiver, please check is there any existence of similar remote controlled products nearby, then check whether they works, because remote controlled product with the same frequency will disturb each other.
4. Low voltage of battery will affect the sensitivity of the emitter and the signal reception accordingly (the indicated light will flash out its warning when the battery get low voltage), must replace if the battery is getting low voltage.
5. Please take out the battery from the emitter when leaving unused for long time.
6. Supporting 200W lighting power at maximum.
PS: please connect the ground wire correctly, otherwise it may cause the light micro-light or flash
7. When installing the fan, the fan ceiling cover don't press the antenna (or other wire), it is easy to breakdown the wire and short-circuited.

TRANSMITTER FUNCTION



A. Warm Weather



B. Cool Weather

Forward

Fan rotates anti-clockwise creating a downward airflow delivering a cooling effect.

Suitable for hot weather condition or

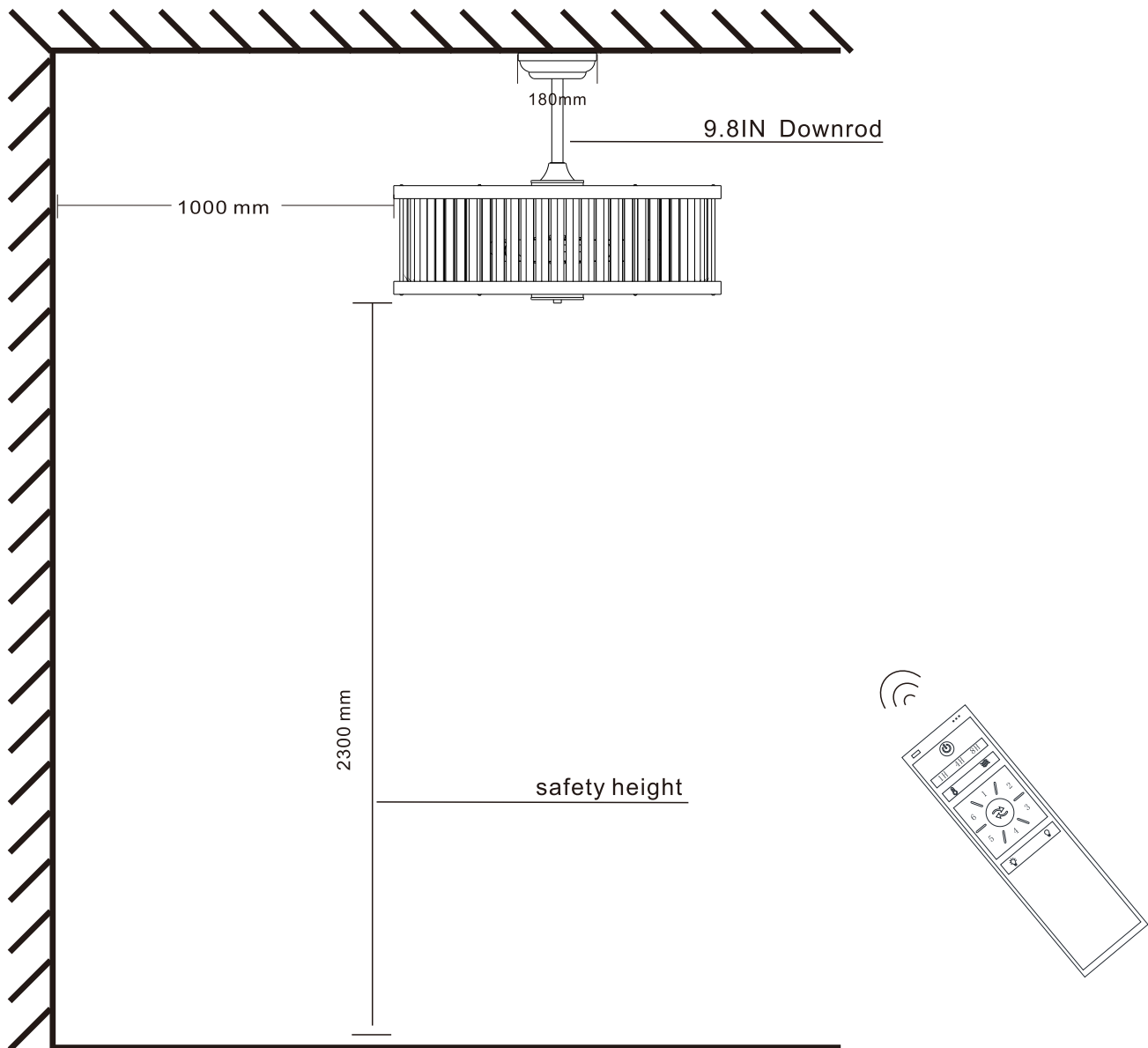
air-conditioned condition.

Reverse

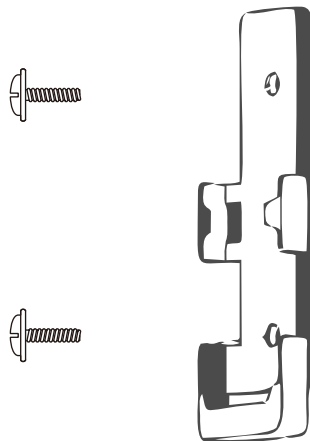
Fan rotates clockwise creating an upward airflow moving warm air off the ceiling areas. This function works best at lower fan speed.

Suitable for cold weather or air-conditioned condition.

INSTALLATION INSTRUCTION



Transmitter holder



Installing Transmitter holder

Install the transmitter holder to the wall or any flat surface with the mounting screw provided.

Care and Cleaning



WARNING: Make sure the power is off before cleaning your fan.

- Because of the fan's natural movement, some connections may become loose. Check the support connections, brackets, and blade attachments twice a year. Make sure they are secure. It is not necessary to remove the fan from the ceiling.
- Clean your fan periodically to help maintain its new appearance over the years. Do not use water when cleaning, as this could damage the motor or the wood, or possibly cause an electrical shock. Use only a soft brush or lint-free cloth to avoid scratching the finish. The plating is sealed with a lacquer to minimize discoloration or tarnishing.
- You can apply a light coat of furniture polish to the wood for additional protection and enhanced beauty. Cover small scratches with a light application of shoe polish.
- You do not need to oil your fan. The motor has permanently-lubricated sealed ball bearings.

Troubleshooting

Problem	Solution
The fan will not start.	<ul style="list-style-type: none"> <input type="checkbox"/> Check the main and branch circuit fuses or breakers. <input type="checkbox"/> Check the line wire connections to the fan and switch wire connections in the switch housing.
The fan will not start.	<ul style="list-style-type: none"> <input type="checkbox"/> Ensure all motor housing screws are snug. <input type="checkbox"/> Ensure the screws that attach the fan blade bracket to the motor hub are tight. <input type="checkbox"/> Ensure the wire nut connections are not rattling against each other or the interior wall of the switch housing. <input type="checkbox"/> Allow a 24-hour "breaking in" period. Most noises associated with a new fan disappear during this time. <input type="checkbox"/> If you are using the Ceiling Fan light kit, ensure the screws securing the glassware are tight. Check that the light bulbs are also secure. <input type="checkbox"/> Ensure the canopy is a short distance from the ceiling. It should not touch the ceiling. <input type="checkbox"/> Ensure your outlet box is secure and rubber isolator pads were used between the mounting plate and outlet box.
The fan wobbles.	<ul style="list-style-type: none"> <input type="checkbox"/> Check that all blade and blade arm screws are secure. <input type="checkbox"/> Most fan wobble problems are caused when blade levels are unequal. Check this level by selecting a point on the ceiling above the tip of one of the blades. Measure from a point on the center of each blade to the point on the ceiling. Measure this distance. Rotate the fan until the next blade is positioned for measurement. Repeat for each blade. Any measurement deviation should be within 1/8 in. Run the fan for ten minutes. If the fan continues to wobble please contact Customer Service and a balancing kit will be sent to you a