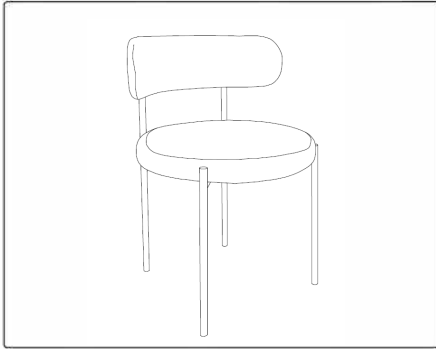


# ASSEMBLY INSTRUCTIONS

meridian.  
furniture

SKU / ITEM#880/881 / 886/887



## + Parts Included



## + Do Not Use Power Tools



## + Suggested Adults



**NOTE:** For questions about parts or assembly please email [support@meridianfurnitureusa.com](mailto:support@meridianfurnitureusa.com) or call us at 718-758-4455.

- 1 Read instructions cover to cover.
- 2 Save all packaging until assembly is completed.

## 1 IMPORTANT SAFETY INFORMATION

**Do not** assemble the product if any of the following parts arrived damaged:

- Part #① - Chair Base
- Part #② - Seat Cushion

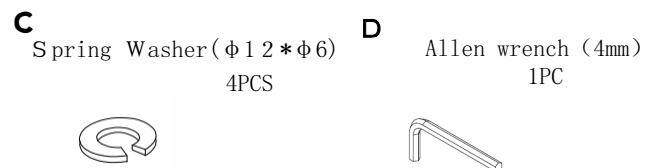
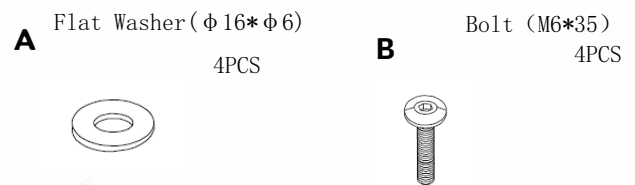
**Do not** assemble if any of the following Hardware parts are missing:

- Part #A - Flat Washer
- Part #B - Bolt
- Part #C - Spring Washer
- Part #D - Allen wrench

## 2 IMPORTANT ASSEMBLY INFORMATION

**Assembly Step** If loosening persists, please make sure to tighten all the bolts periodically, or use a thread locker adhesive.

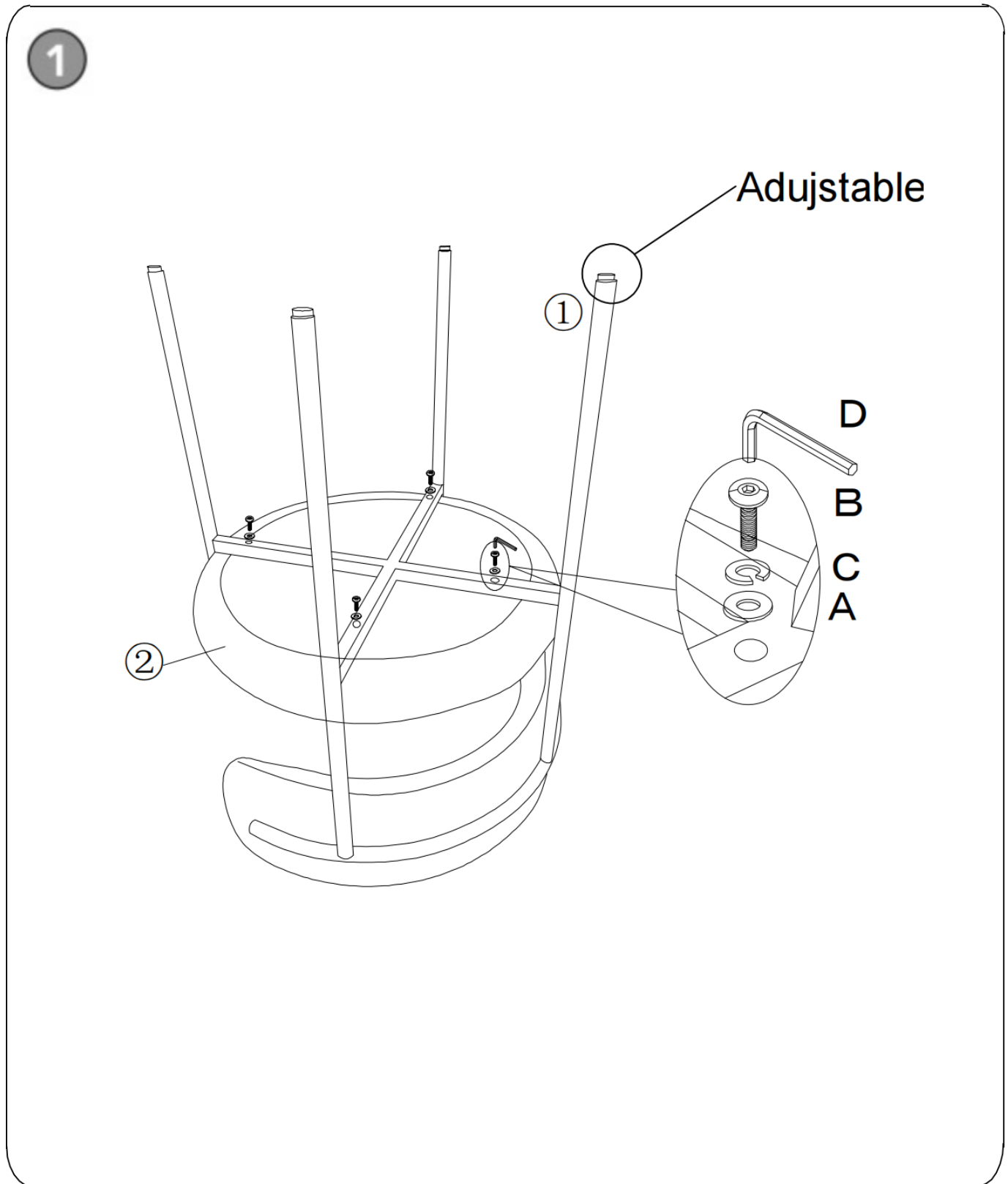
## + Hardware Included



# ASSEMBLY INSTRUCTIONS

meridian.  
furniture

SKU / ITEM#880/881 / 886/887



**NOTE:** For questions about parts or assembly please email [support@meridianfurnitureusa.com](mailto:support@meridianfurnitureusa.com) or call us at 718-758-4455.

[www.MeridianFurnitureUSA.com](http://www.MeridianFurnitureUSA.com) | [support@meridianfurnitureusa.com](mailto:support@meridianfurnitureusa.com)