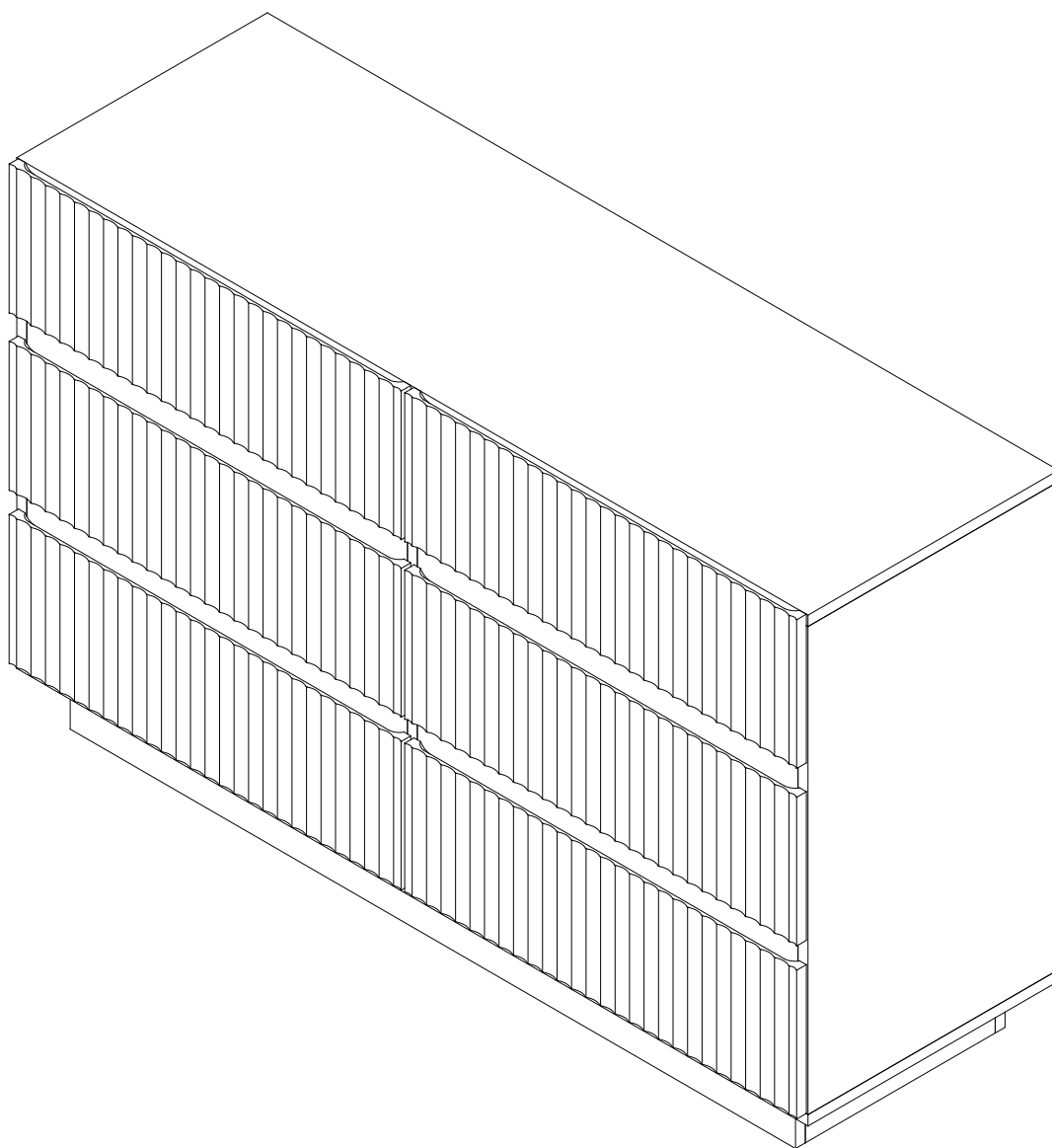


# Installation Instruction



Product name

---

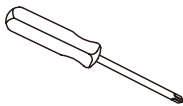
**6 Drawer Cabinet**

Ver.1.0 20240615

# Assembling

## What you need

- Use the packaging carton as a working surface to prevent product damage during assembly
- Phillips head screwdriver



## Weight Limitation



**50** | **11**  
lbs table top | lbs per drawer



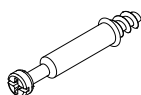
2 PERSONS

# What 's included

Code	Description	Qty
A	Cam Bolt M6X35MM	60
B	Cam Lock 15X10MM	60
C	Wooden Dowel M6X30MM	26
D	Screw M4X35MM	42
E	Screw M3X12MM	72
F	Slide Sets	6
G	Metal Plate	2
H	Screw M4X14MM	2
I	Wooden Dowel M6X50MM	2
J	Anchor M6X30MM	2
K	Plastic Corner Support	16
L	Screw M3X16MM	16
M	Light Belt	1

# The hardware

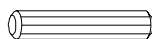
(A)



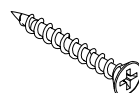
(B)



(C)



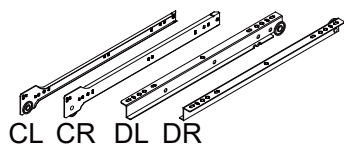
(D)



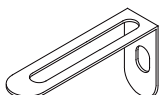
(E)



(F)



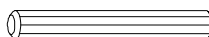
(G)



(H)



(I)



(J)



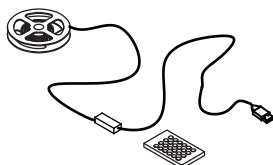
(K)



(L)



(M)



## IMPORTANT :

1. Do not tighten bolts / screws completely until all bolts / screws are lined up and inserted into holes.
2. Do not over tighten screws and bolts to avoid stripping.
3. Please use hand tools to assemble this product. Do not use power tools.
4. Must need 2 people to assemble this product.

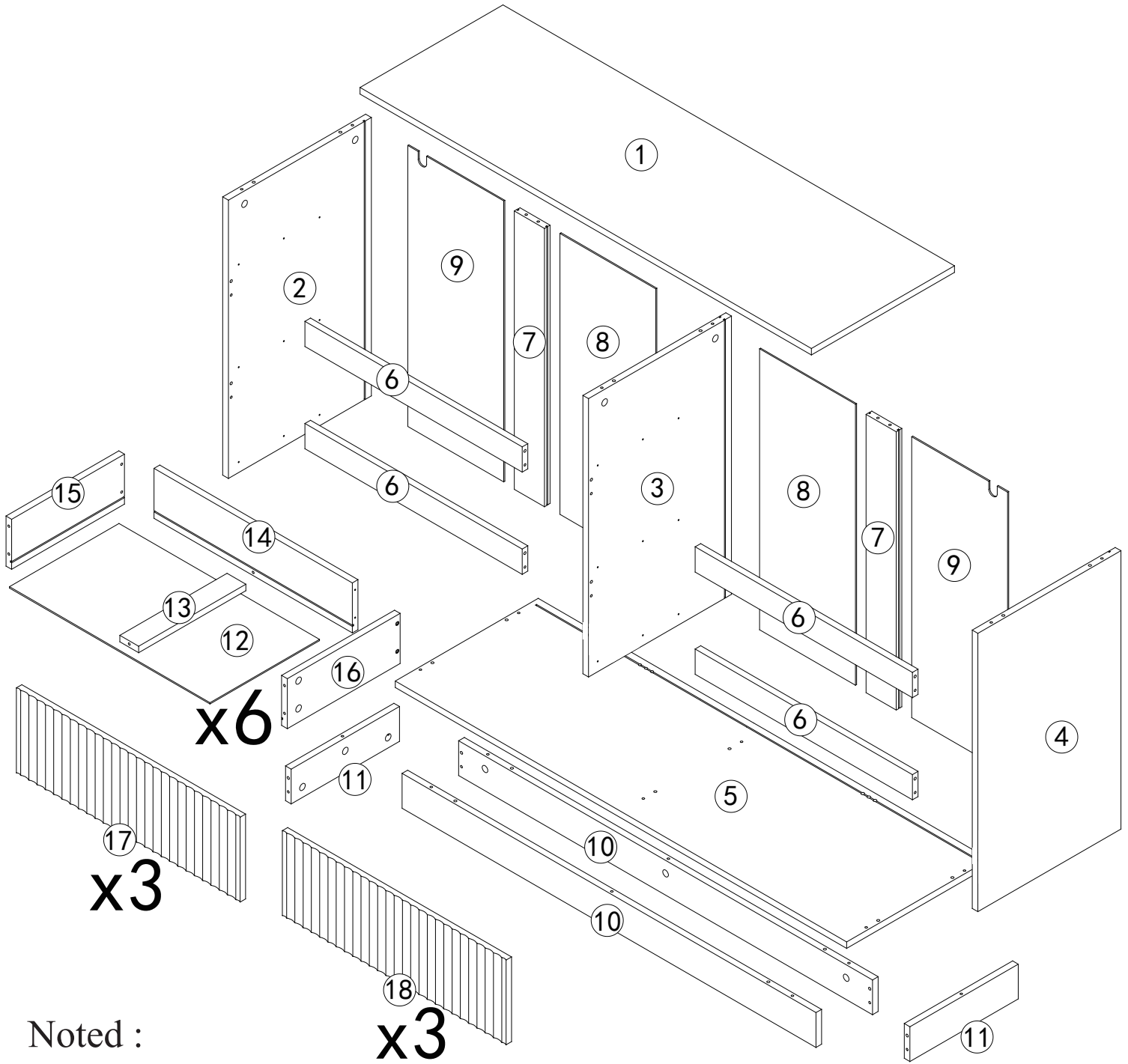


2 PERSONS

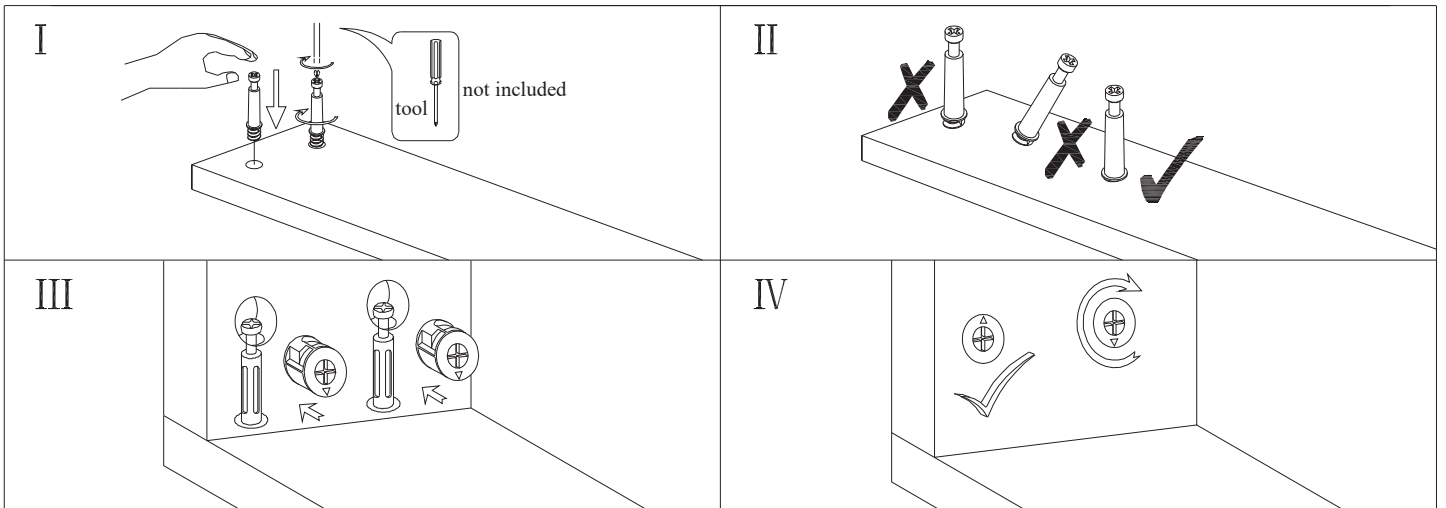
# Included Accessories

Code	Description	Qty
1	Cabinet Top	1
2	Left Side Panel	1
3	Middle Division Panel	1
4	Right Side Panel	1
5	Bottom Panel	1
6	Front Support Panel	4
7	Vertical Back Stretcher	2
8	Middle Back Panel	2
9	Side Back Panel	2
10	Bottom Long Support Panel	2
11	Bottom Short Support Panel	2
12	Drawer Bottom Panel	6
13	Drawer Bottom Support Panel	6
14	Drawer Back Panel	6
15	Drawer Left Side Panel	6
16	Drawer Right Side Panel	6
17	Drawer Left Front Panel	3
18	Drawer Right Front Panel	3

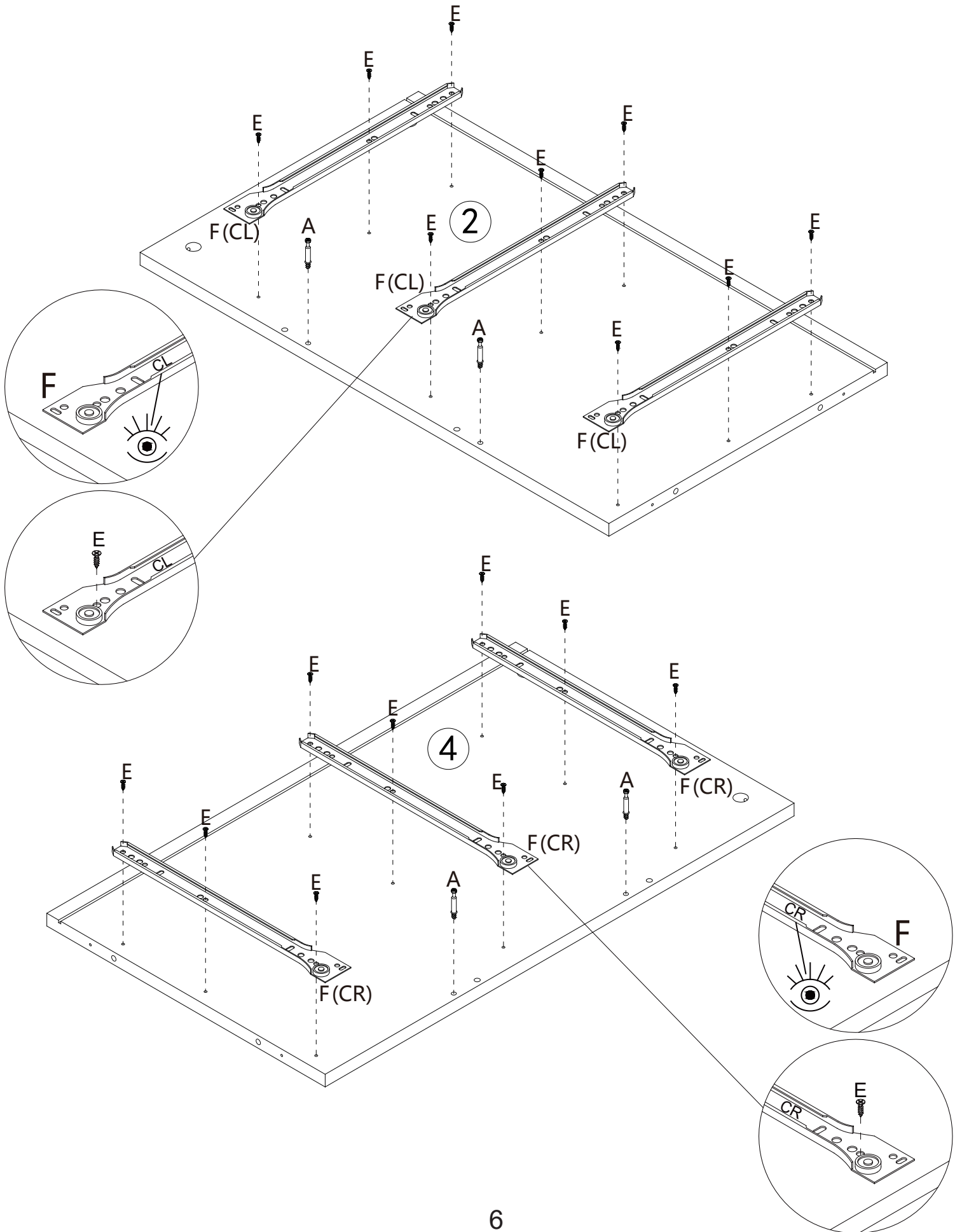
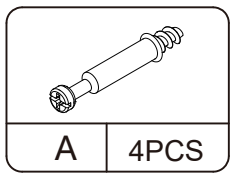
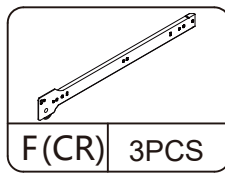
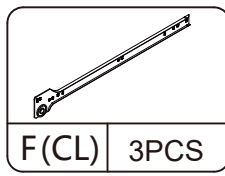
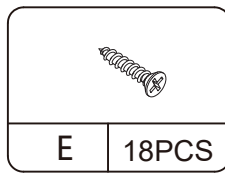
# The Accessories




Noted :




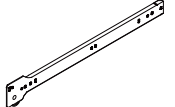
# Step 1

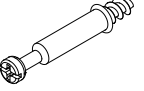


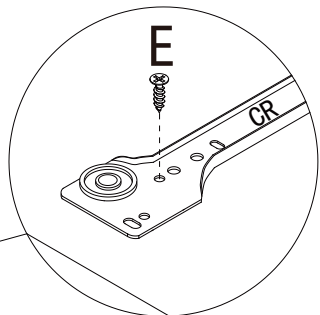
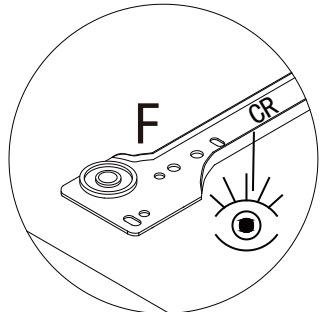
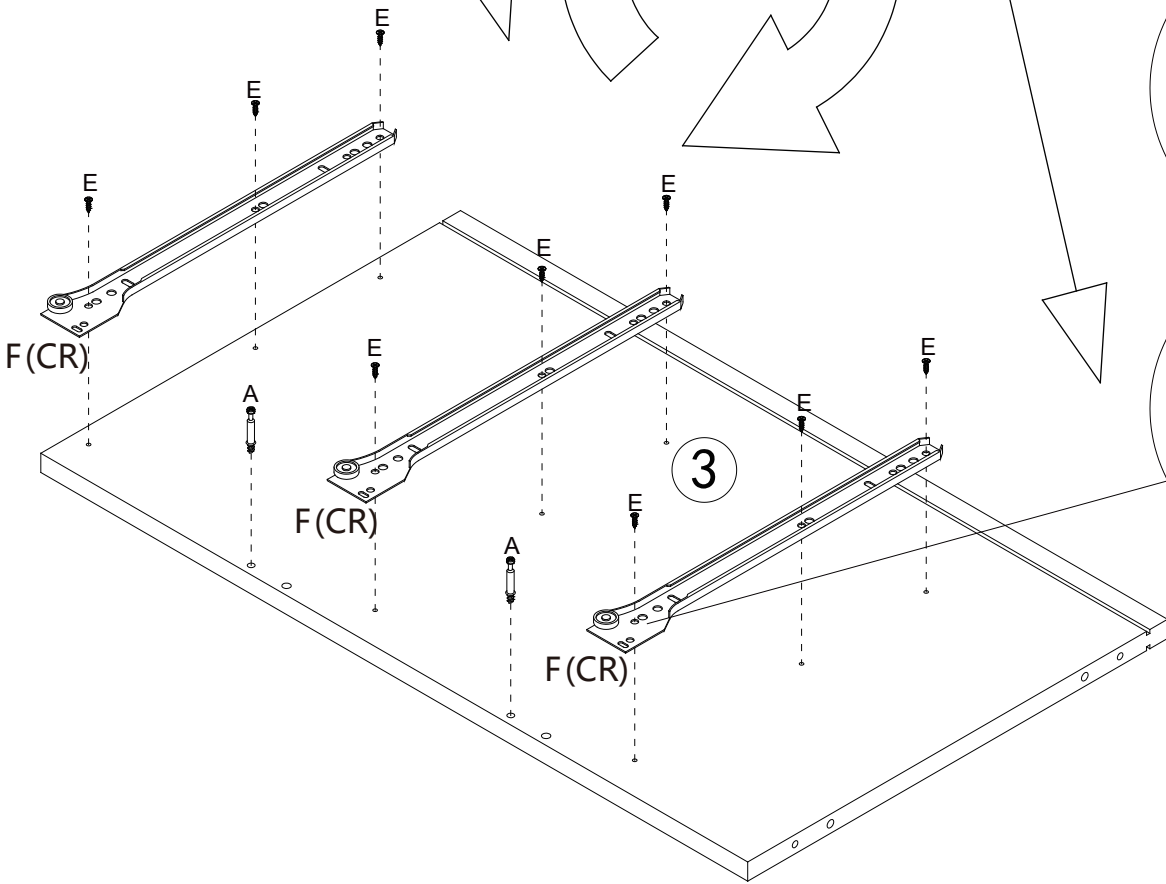
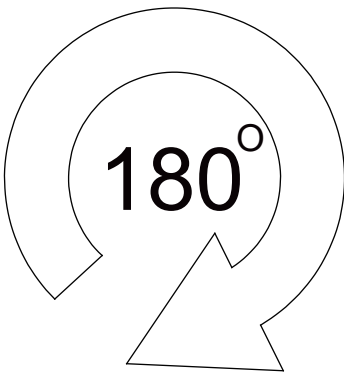
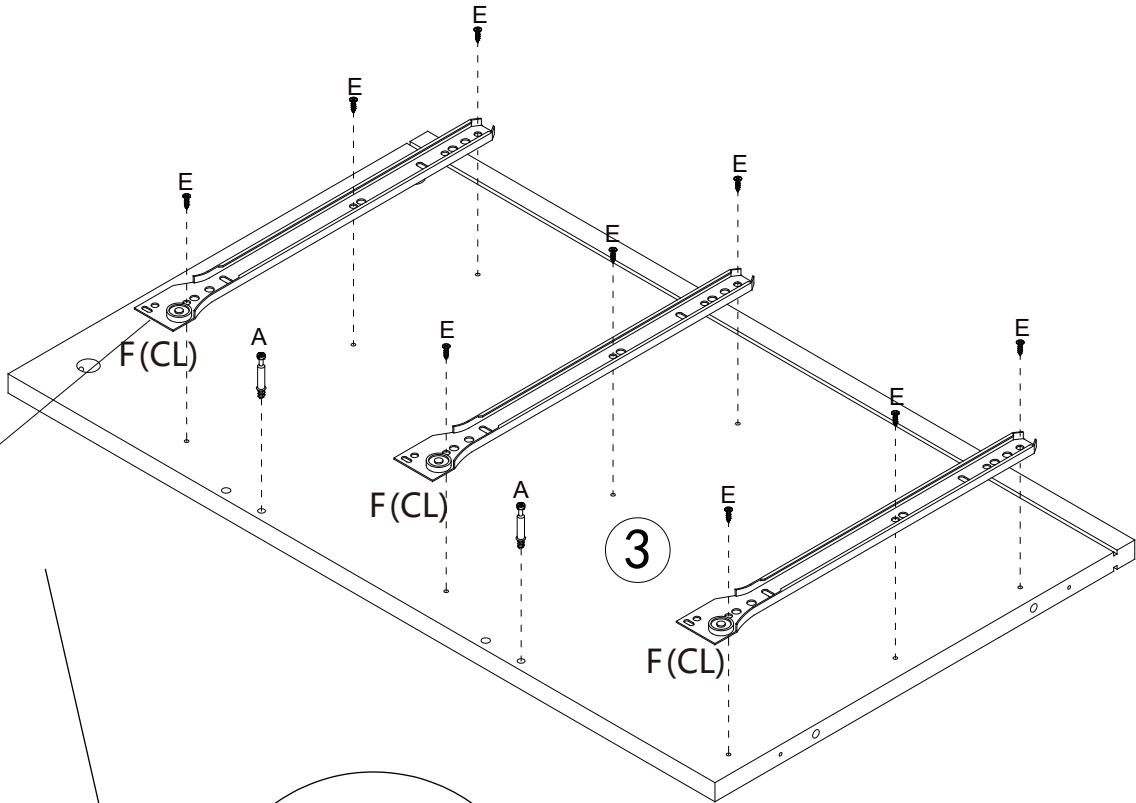
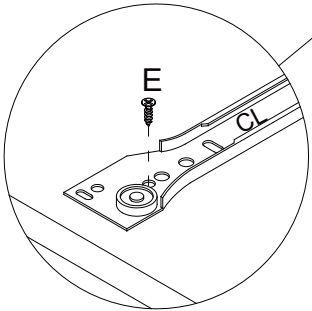
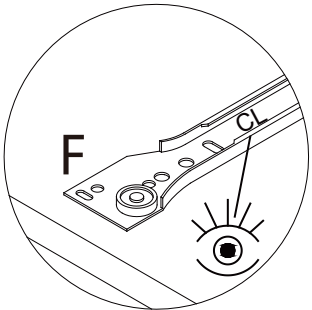
# Step 2

	
E	18PCS

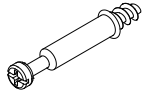
	
F(CL)	3PCS

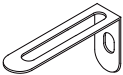
	
F(CR)	3PCS

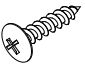
	
A	4PCS

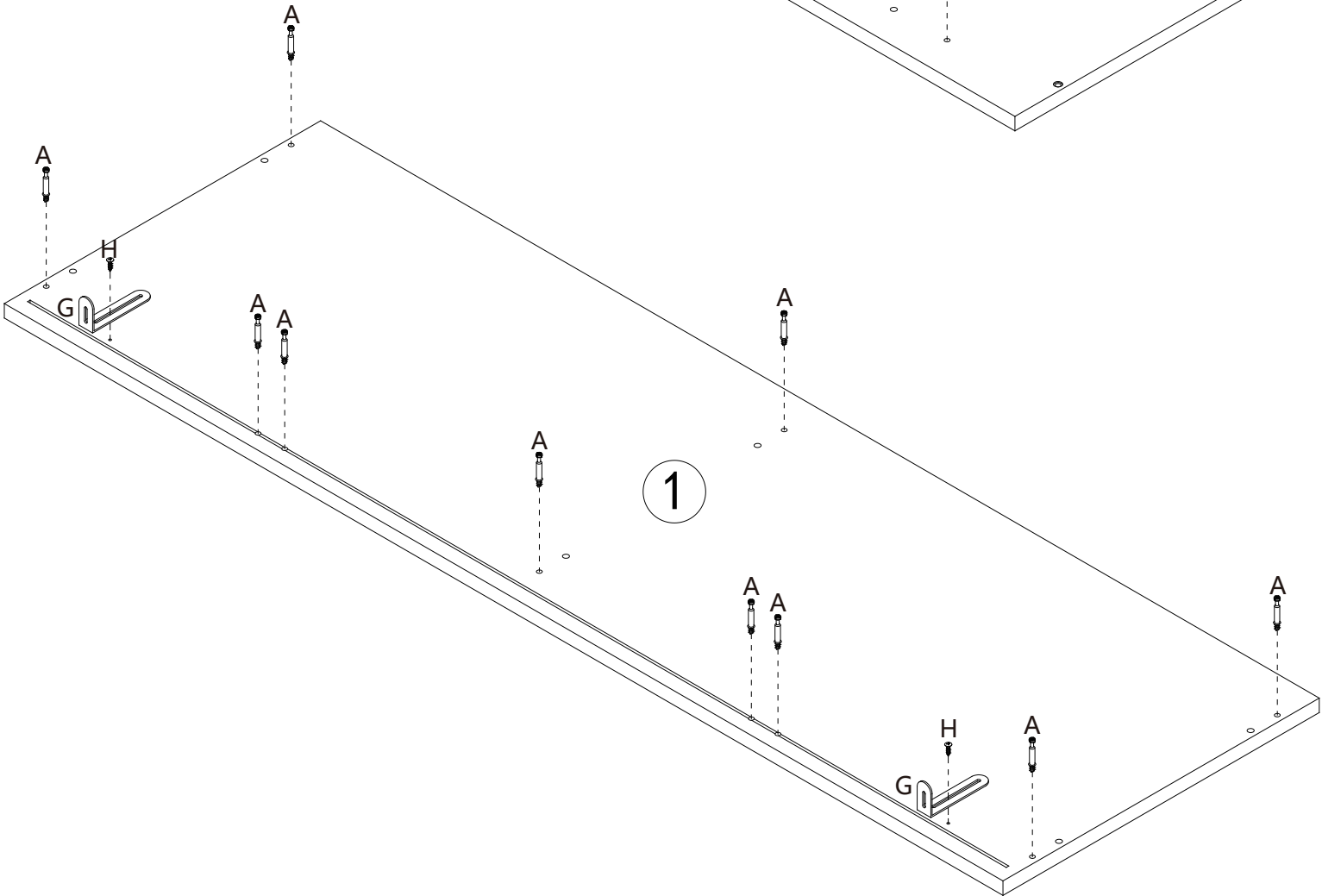
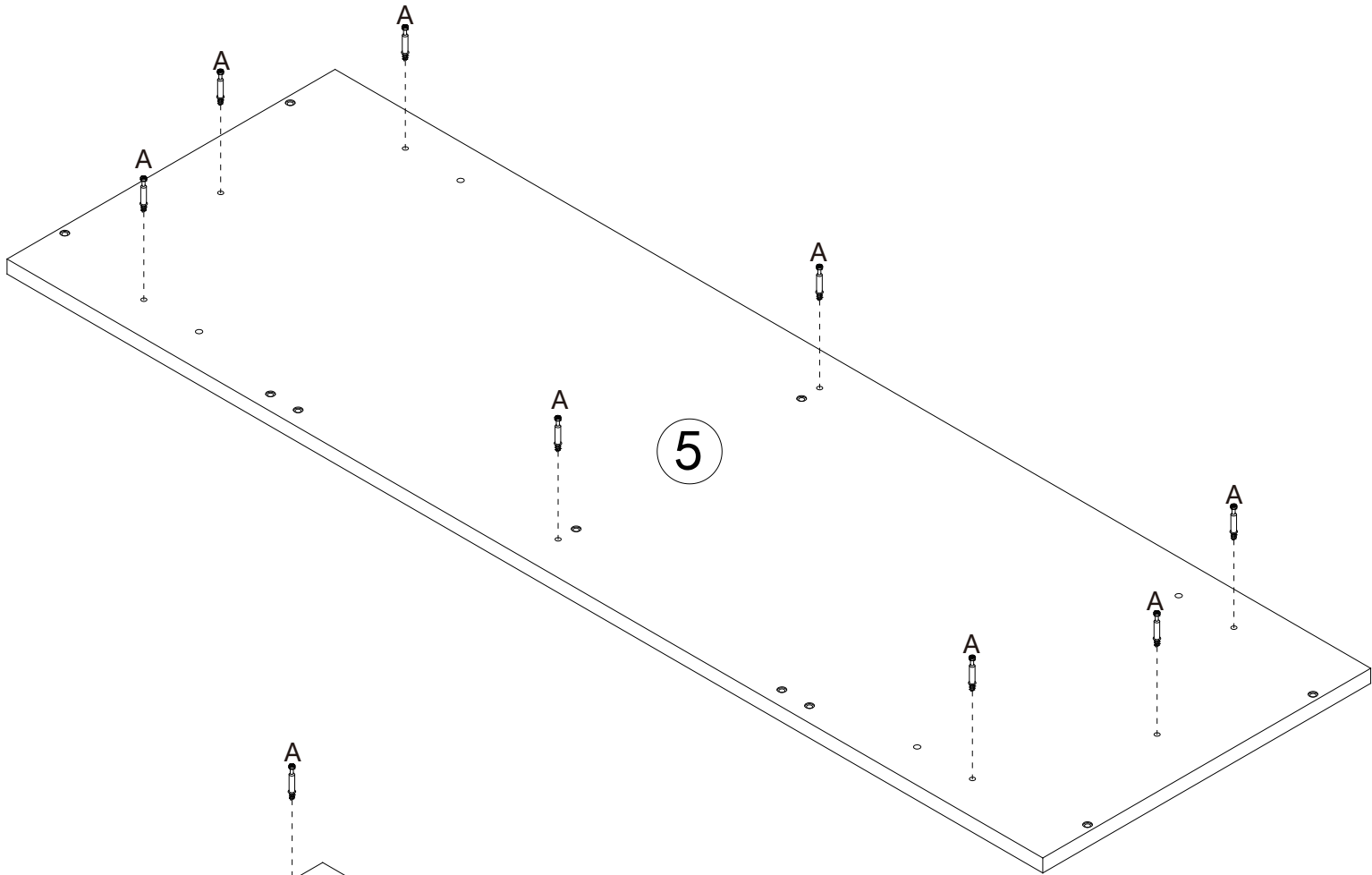


# Step 3

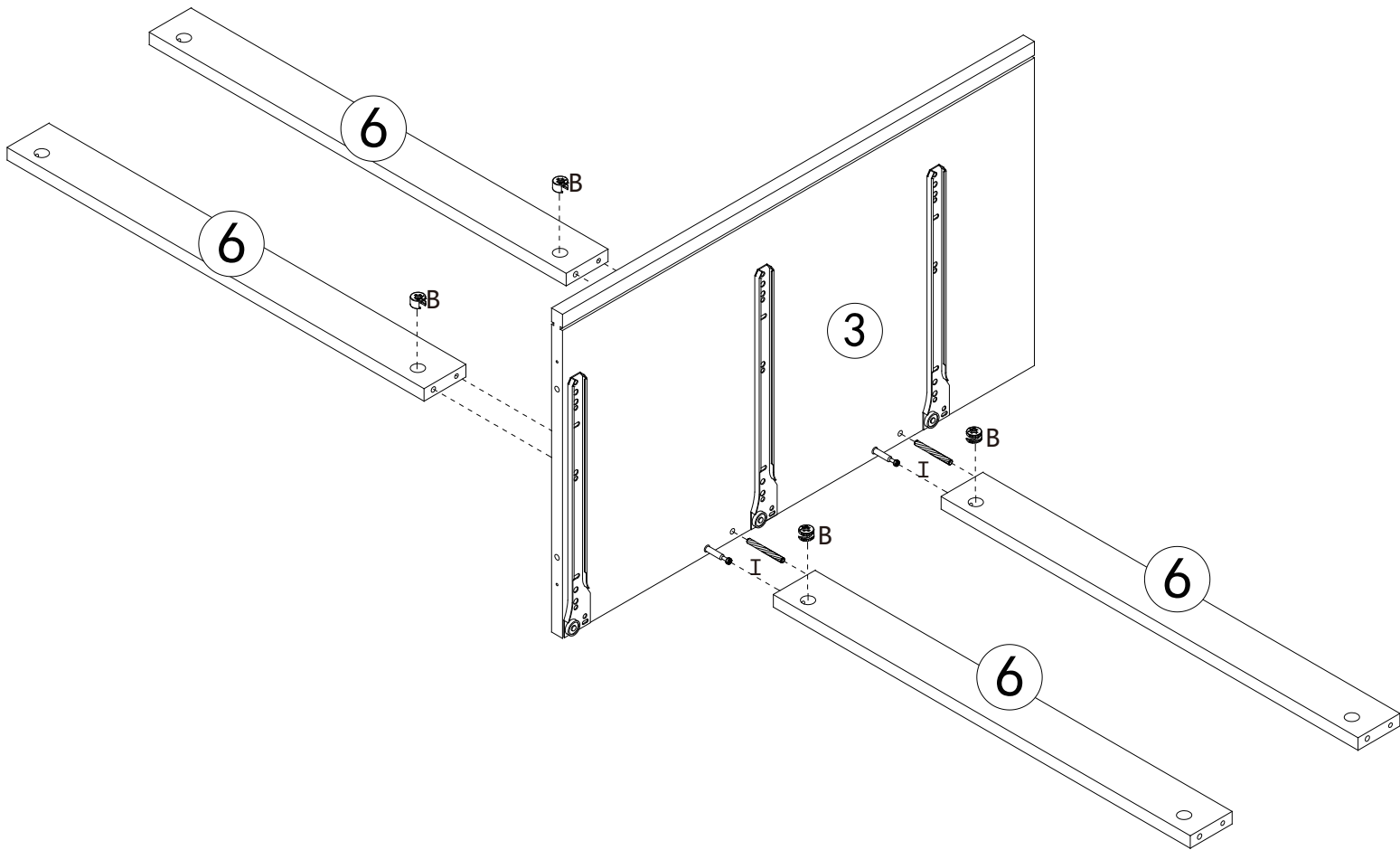
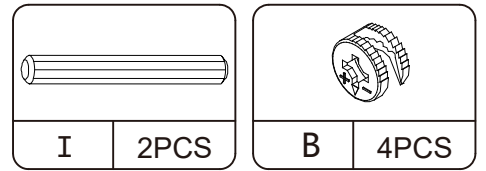

A   18PCS


G   2PCS

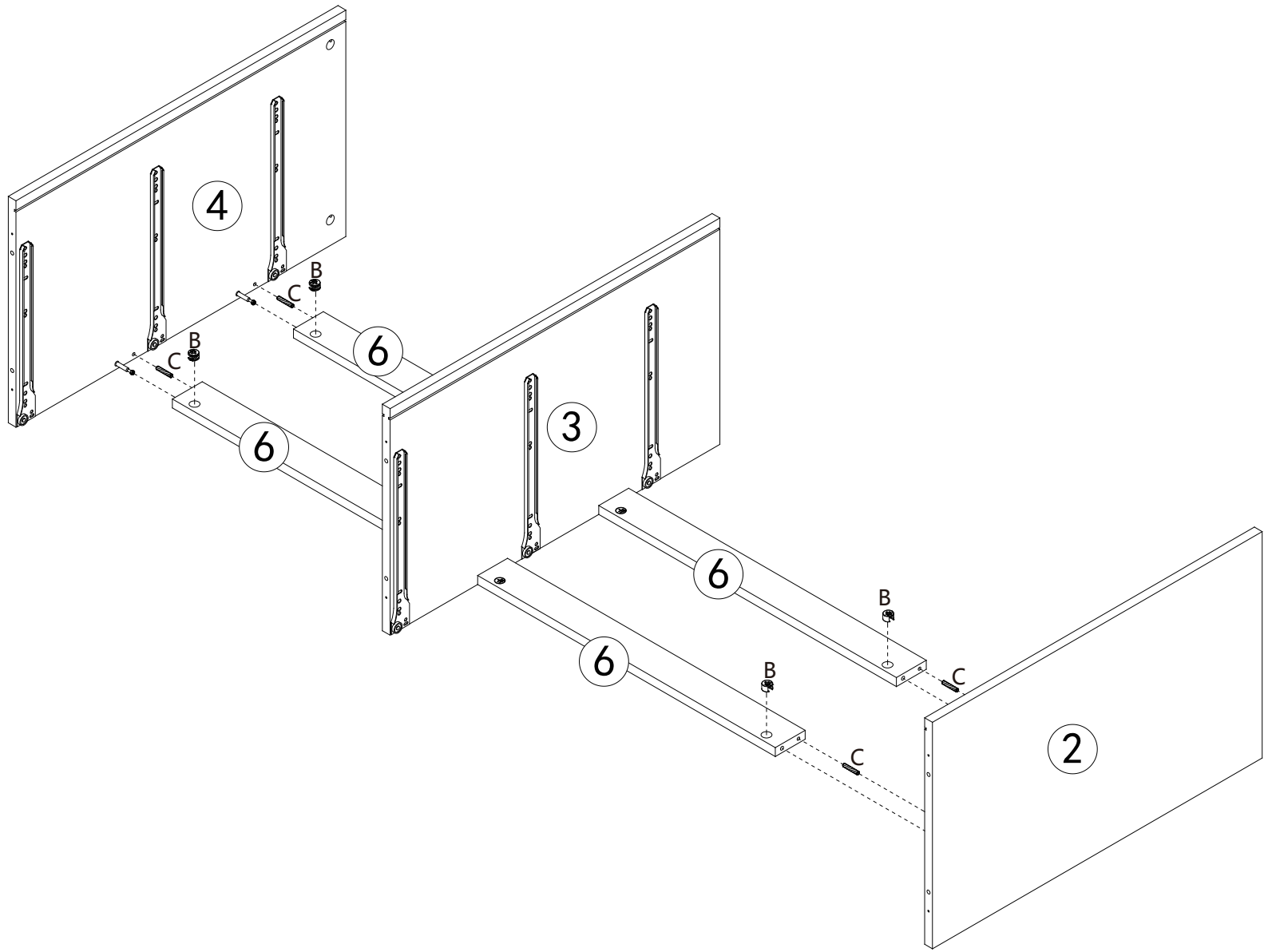
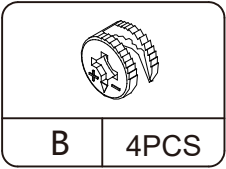
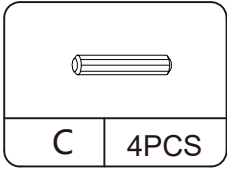

H   2PCS




# Step 4




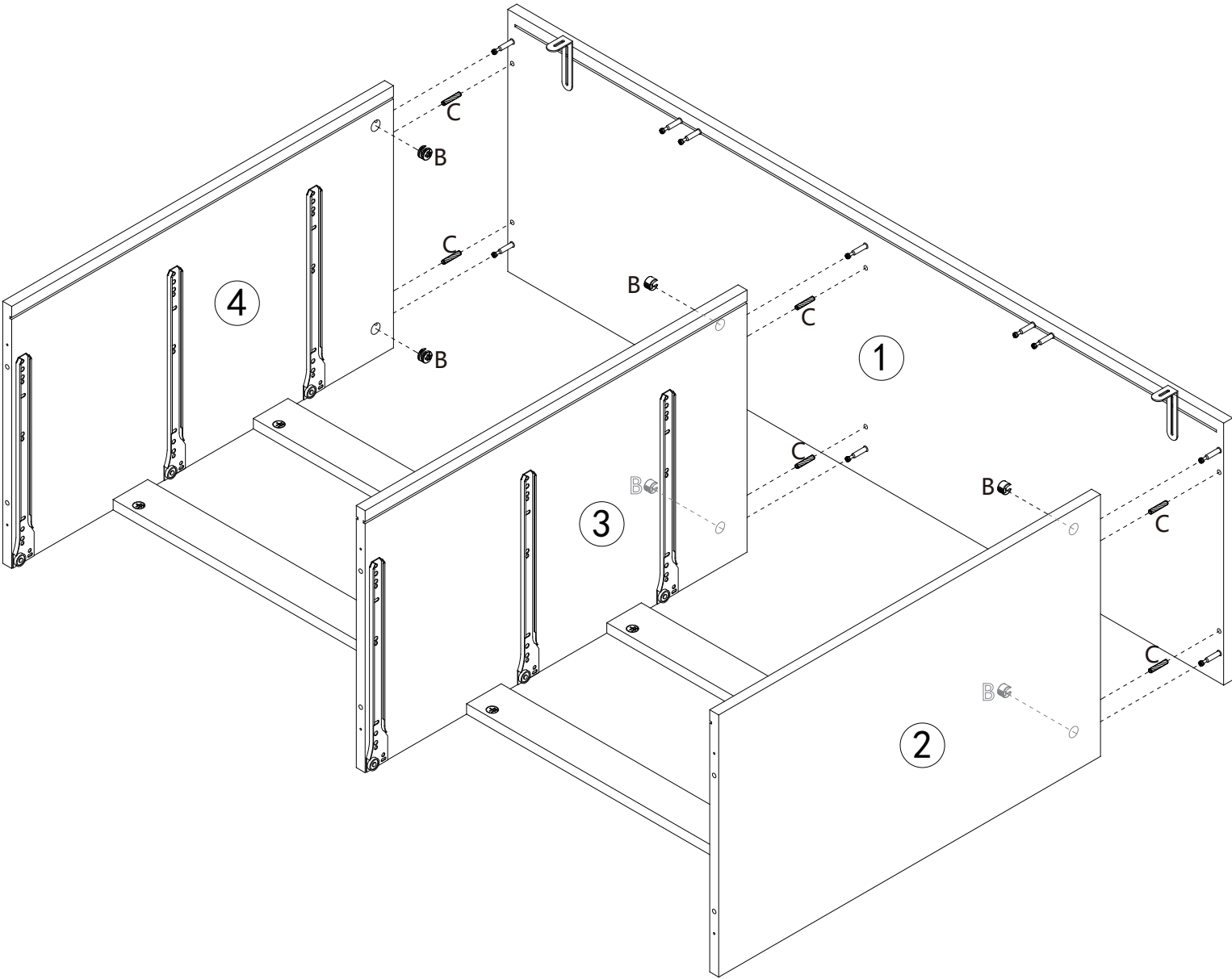
# Step 5




# Step 6

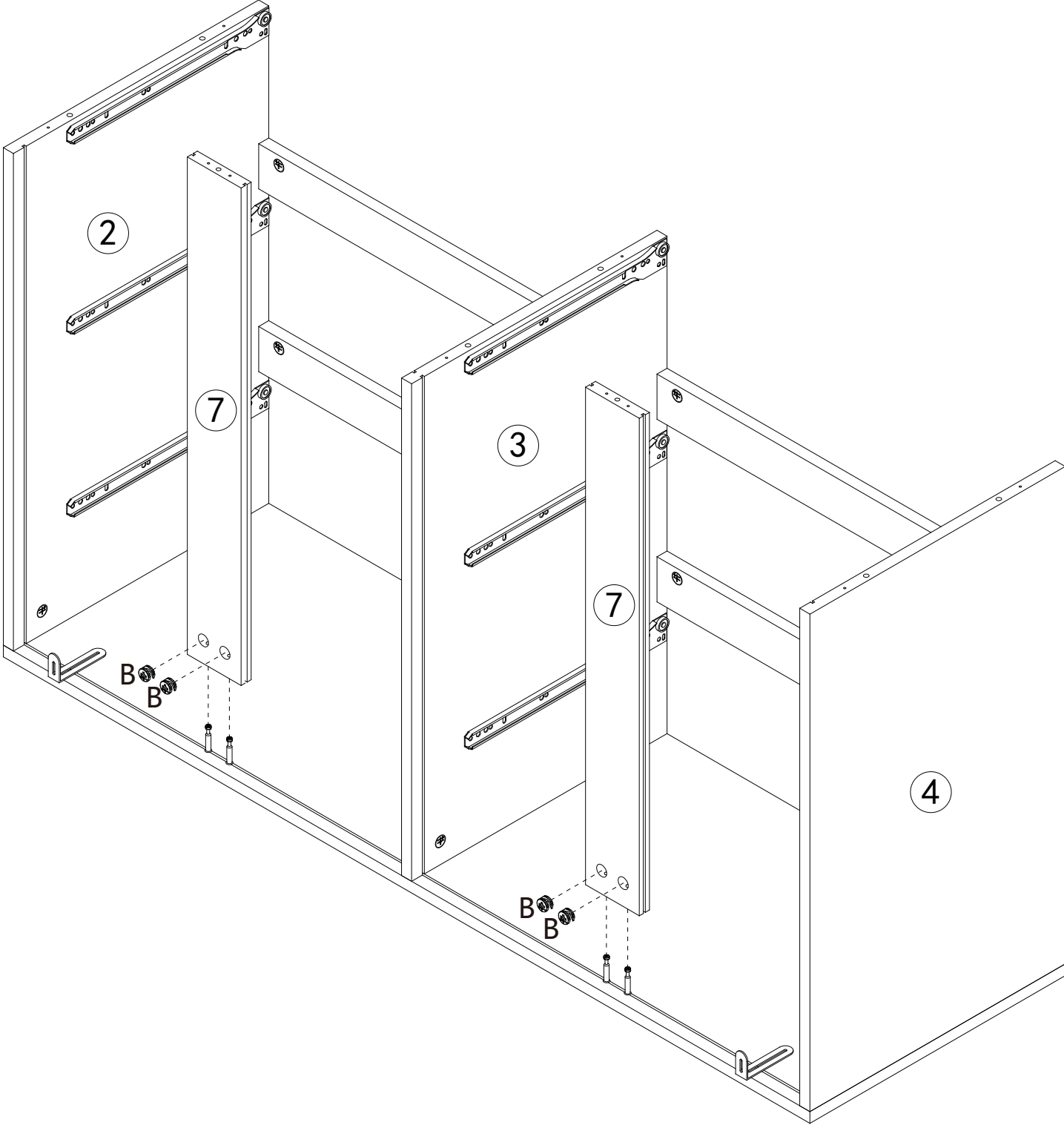
	
C	6PCS

	
B	6PCS

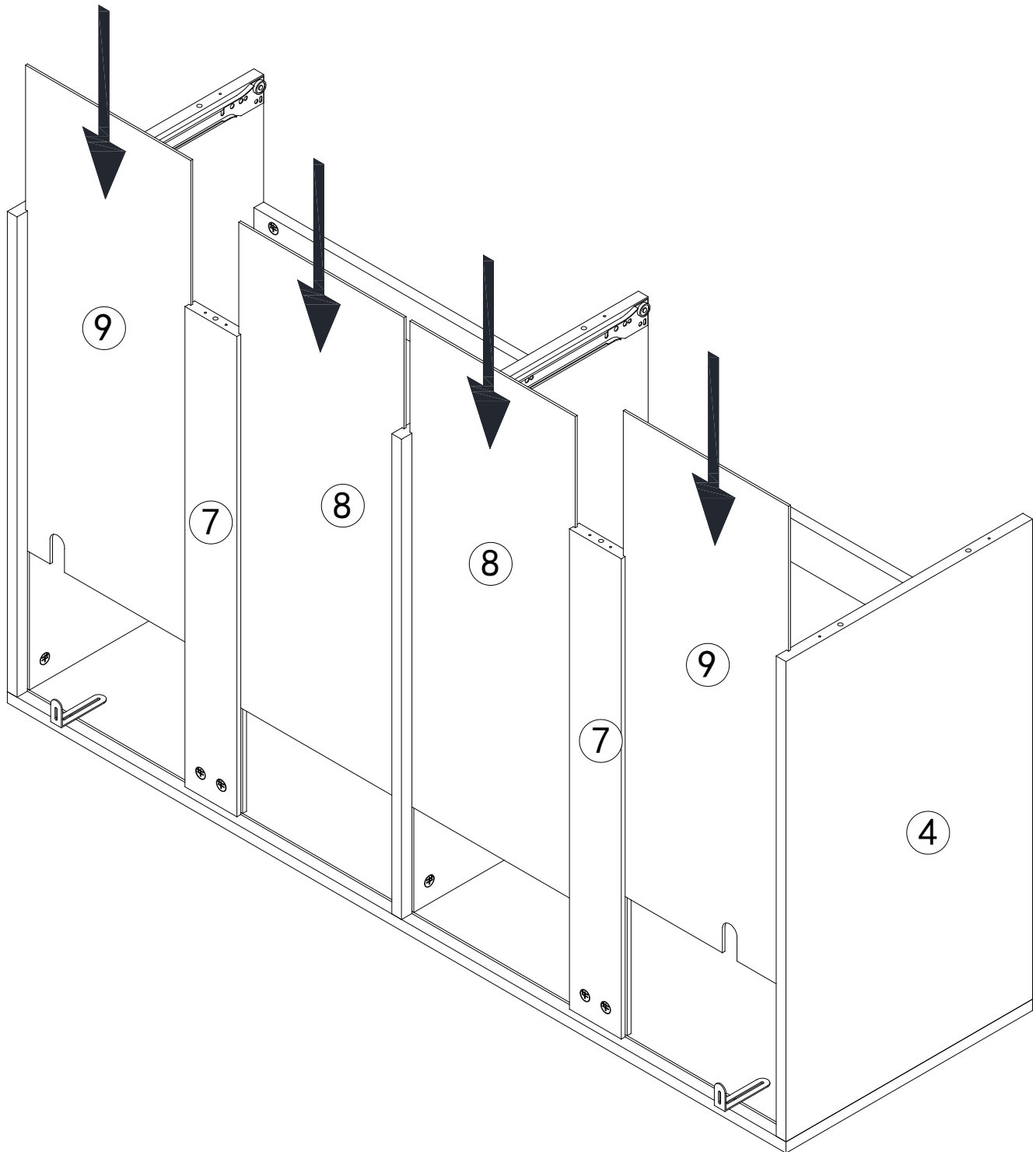


# Step 7

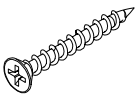
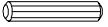
	
B	4PCS

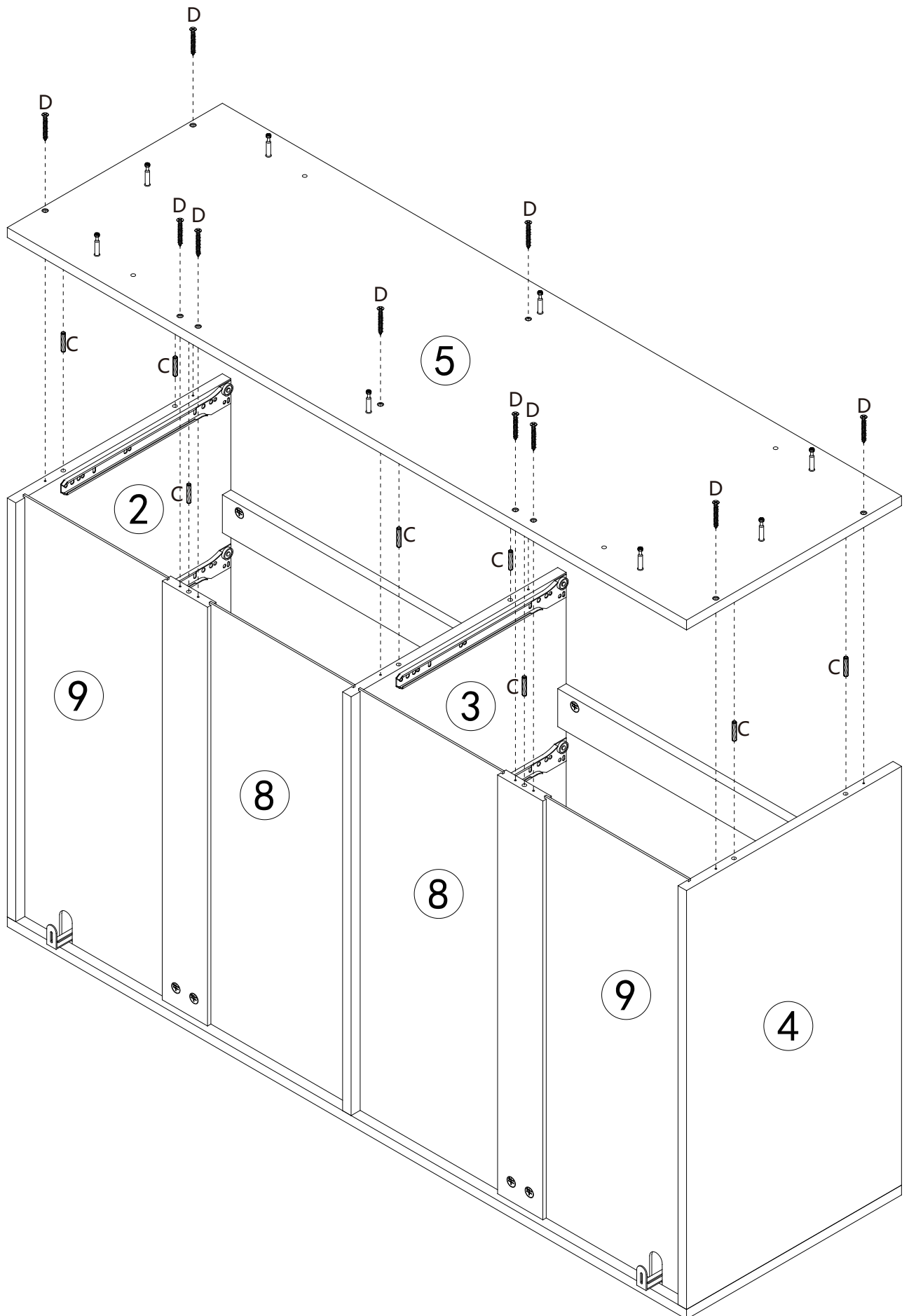


# Step 8

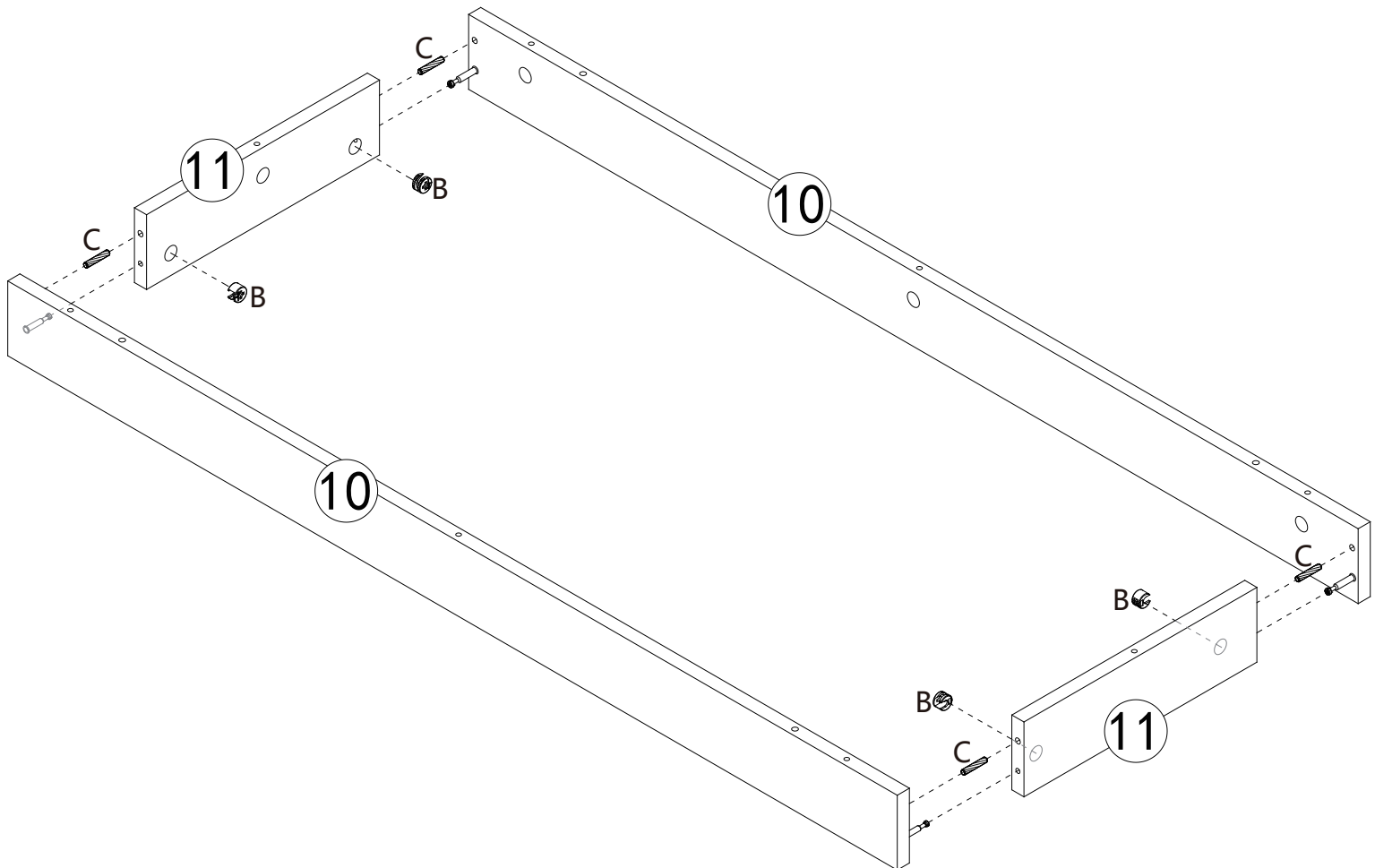
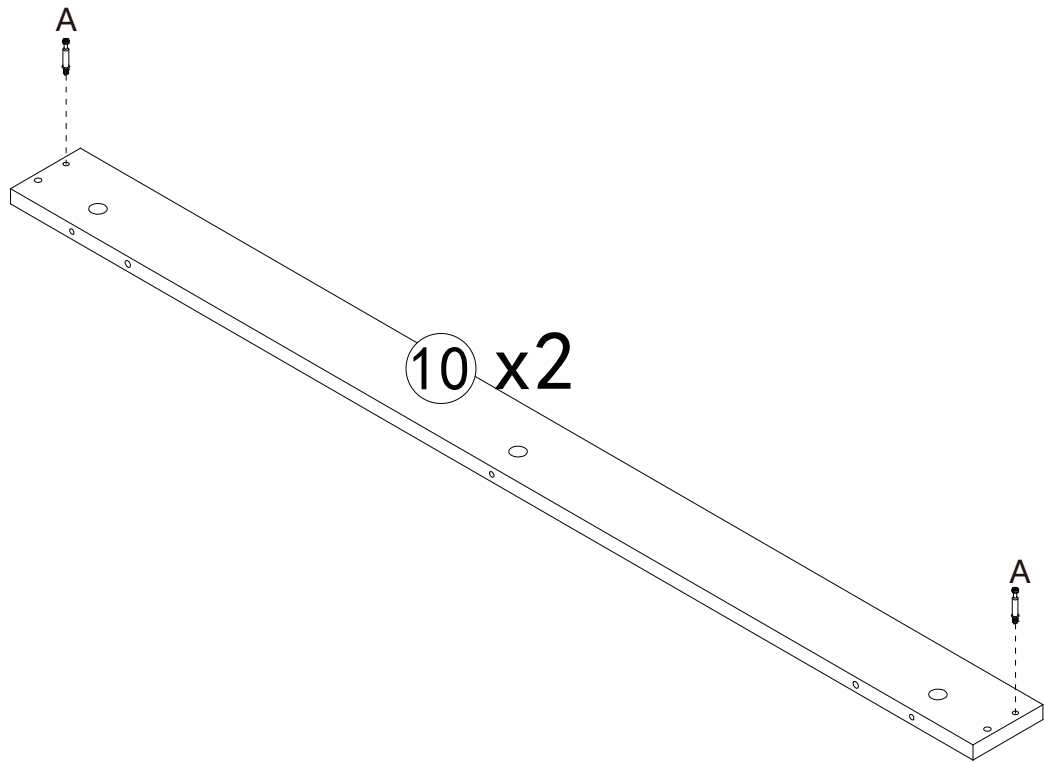
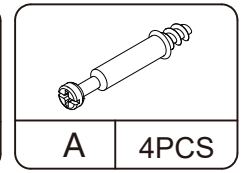
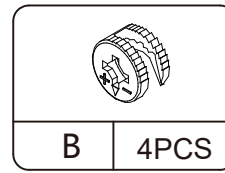
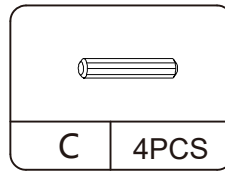


# Step 9

			
D	10PCS	C	8PCS

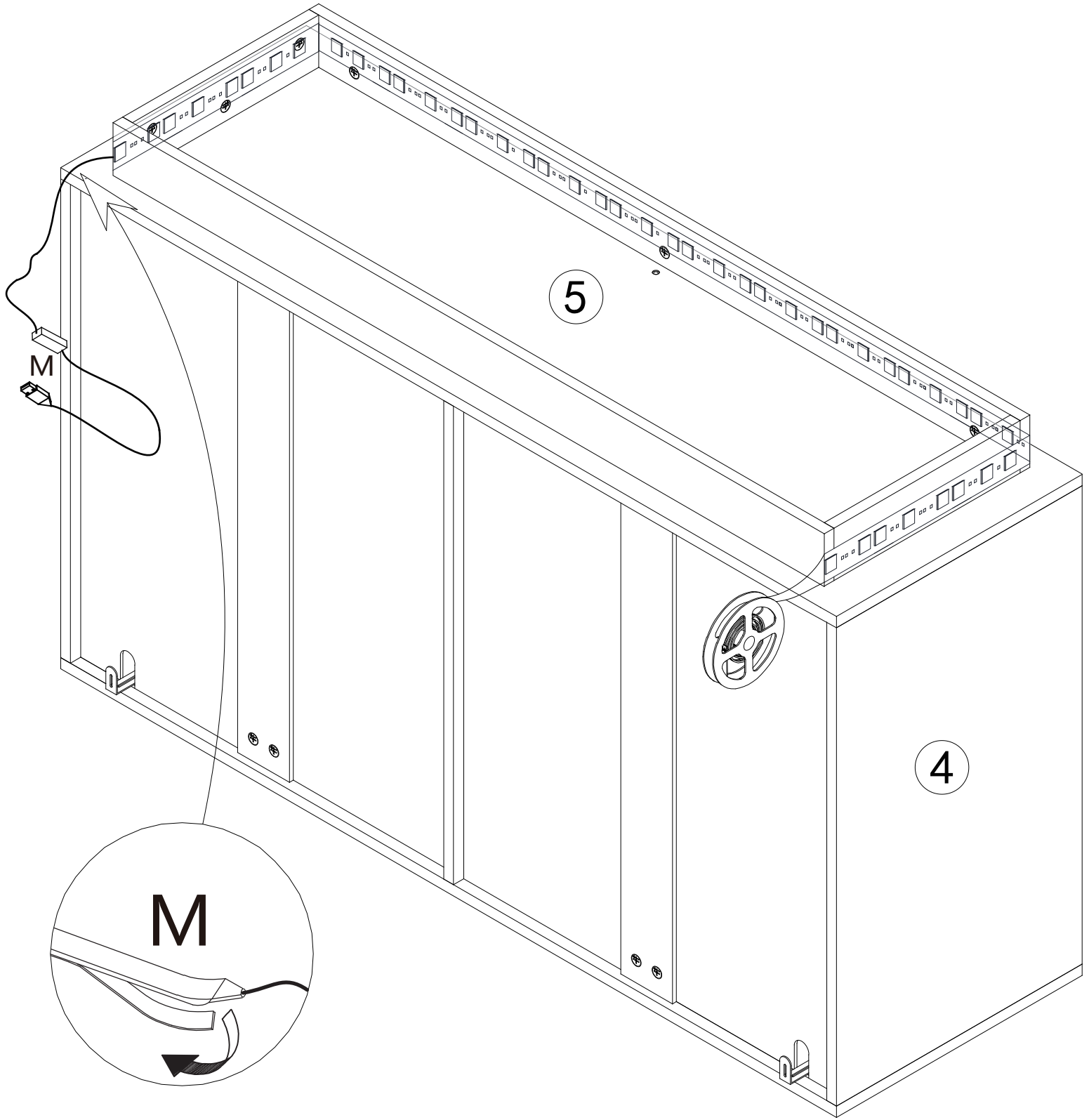
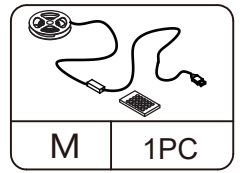


# Step 10

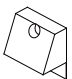


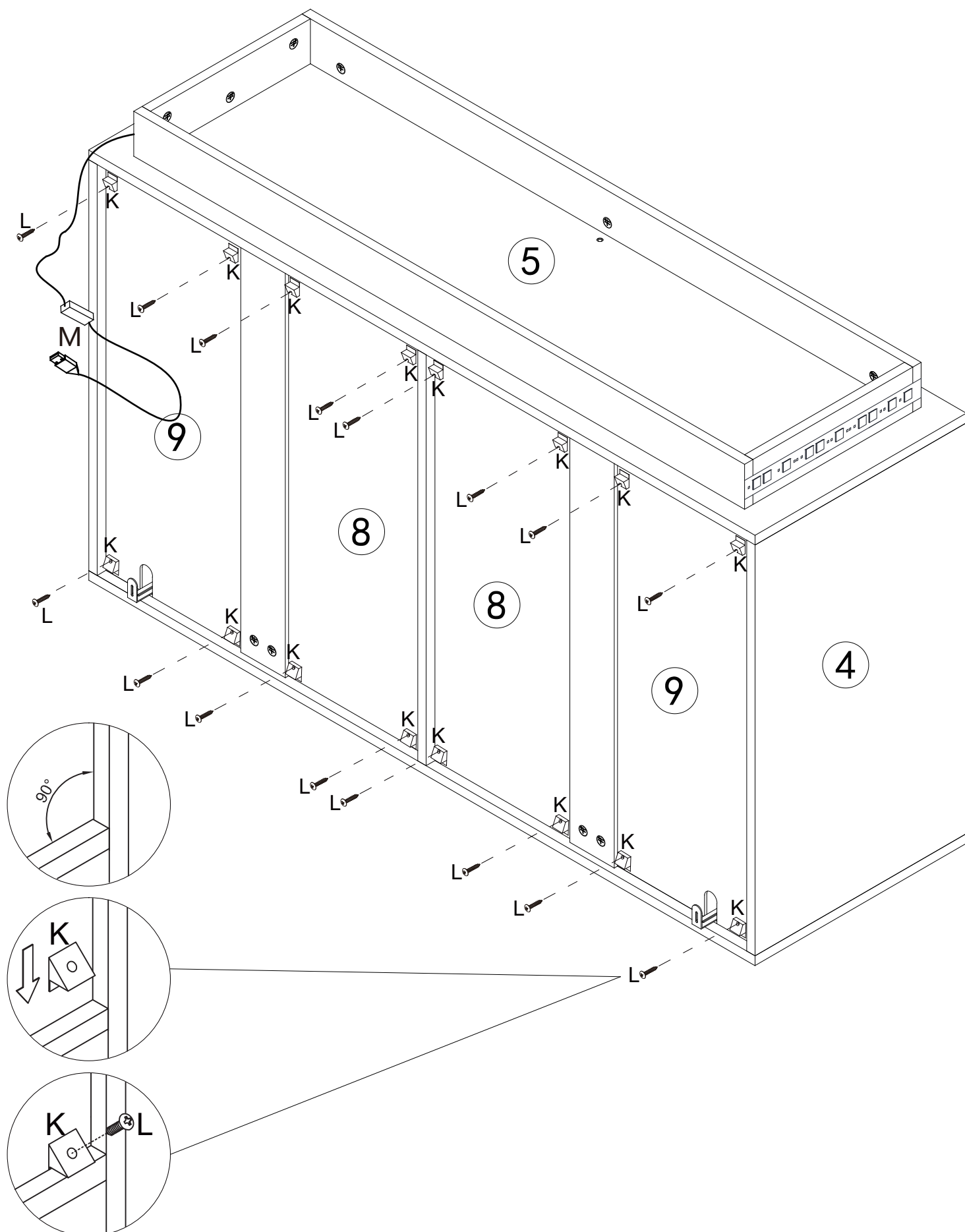


# Step 12

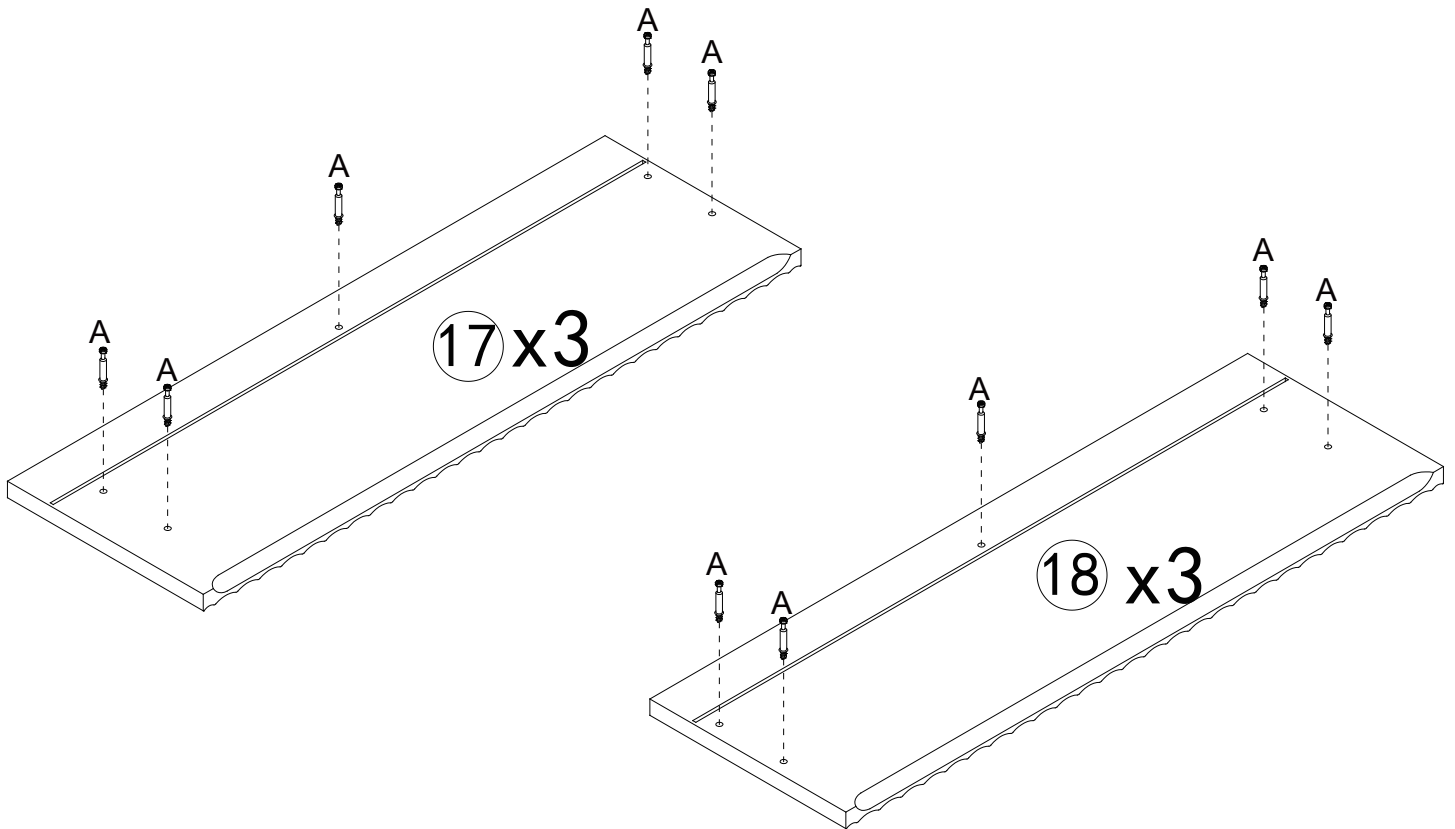
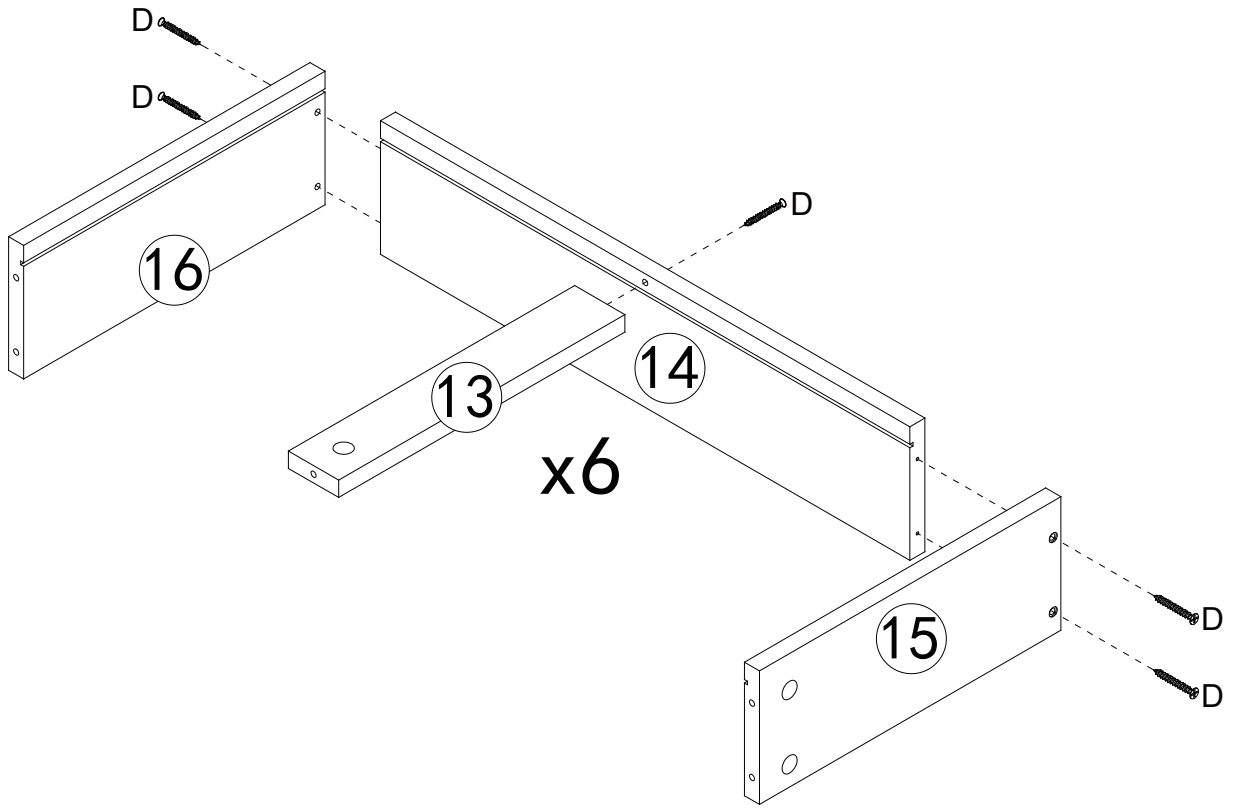
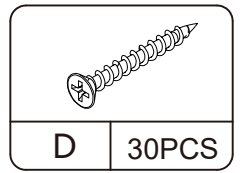
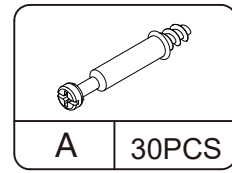


# Step 13

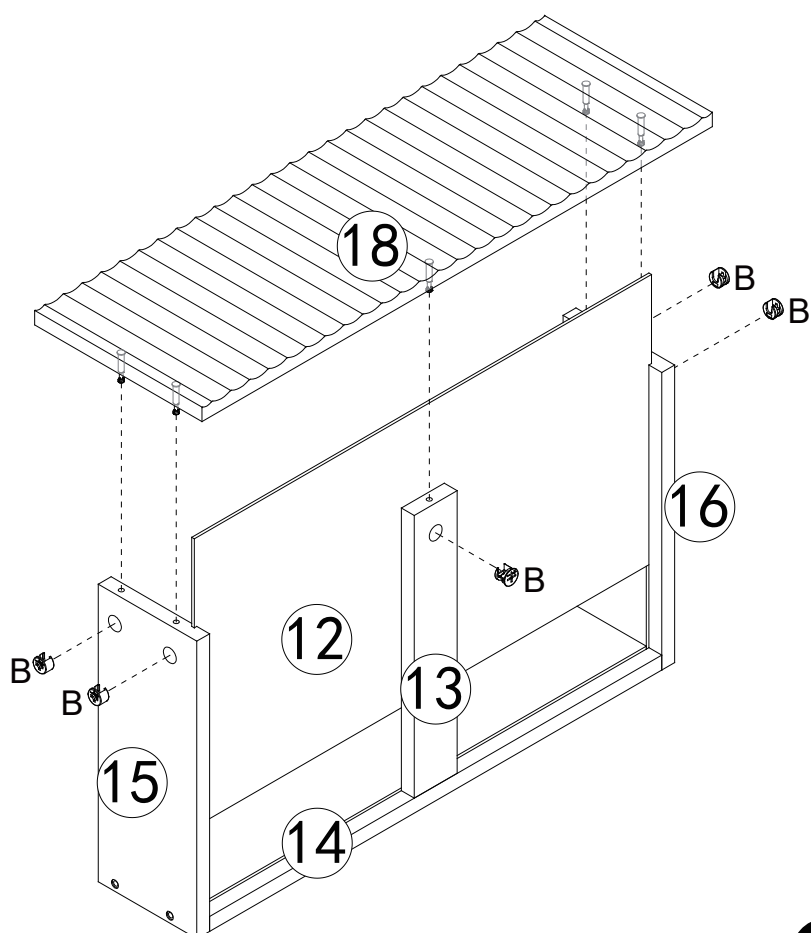
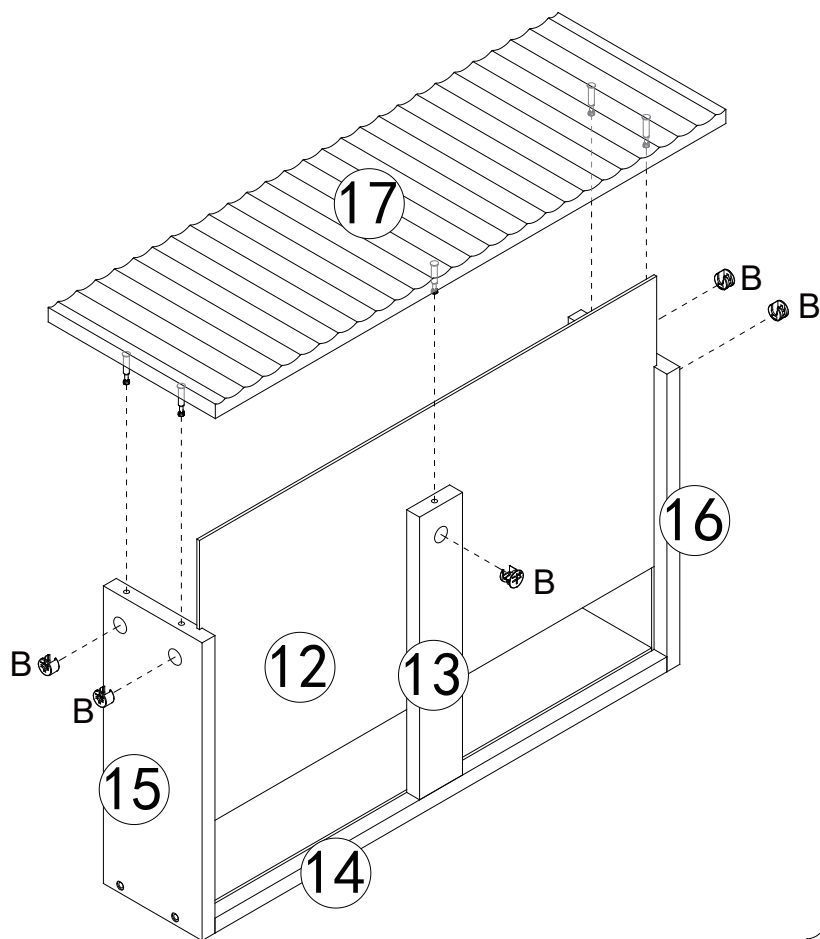
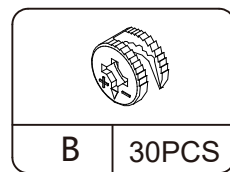
	
K	L
16PCS	16PCS



# Step 14




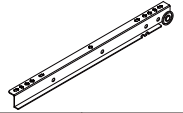
# Step 15

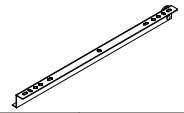


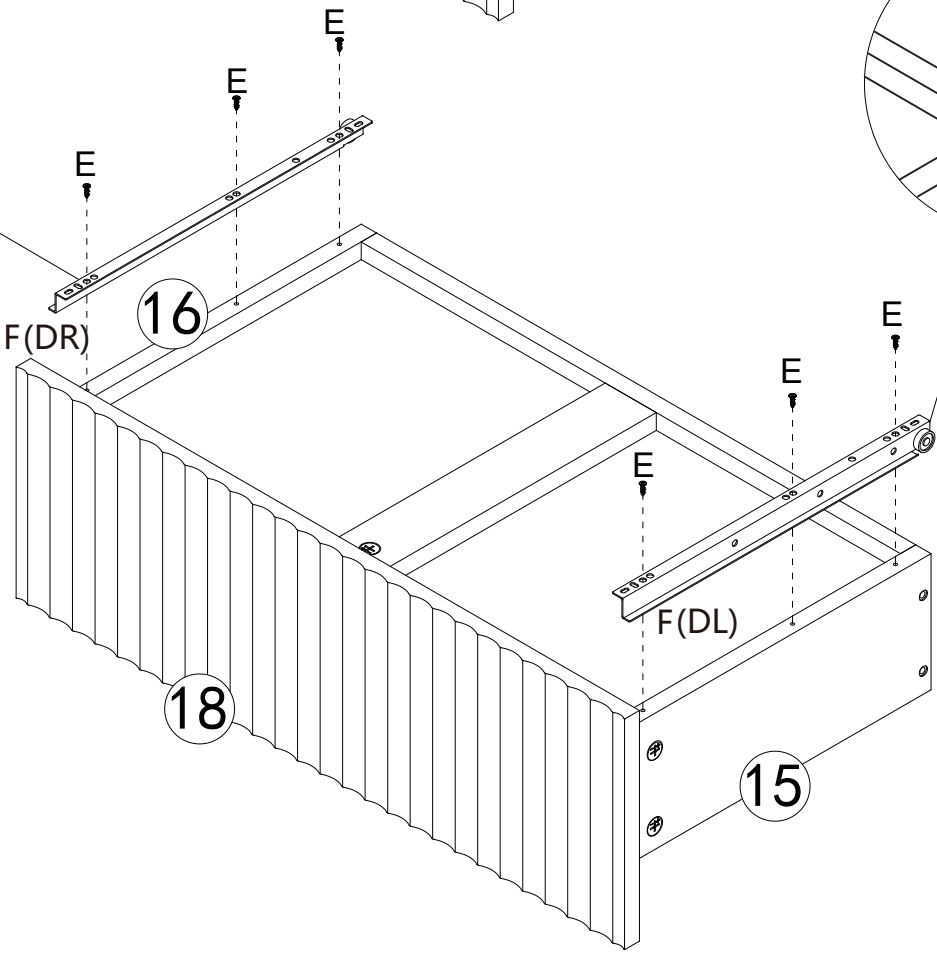
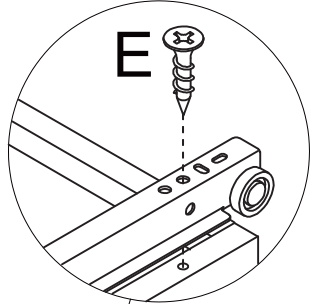
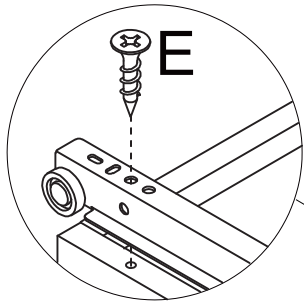
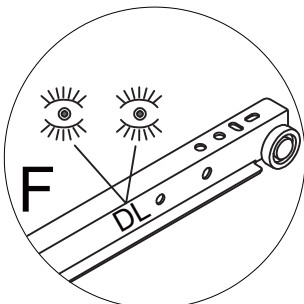
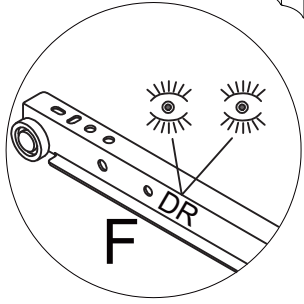
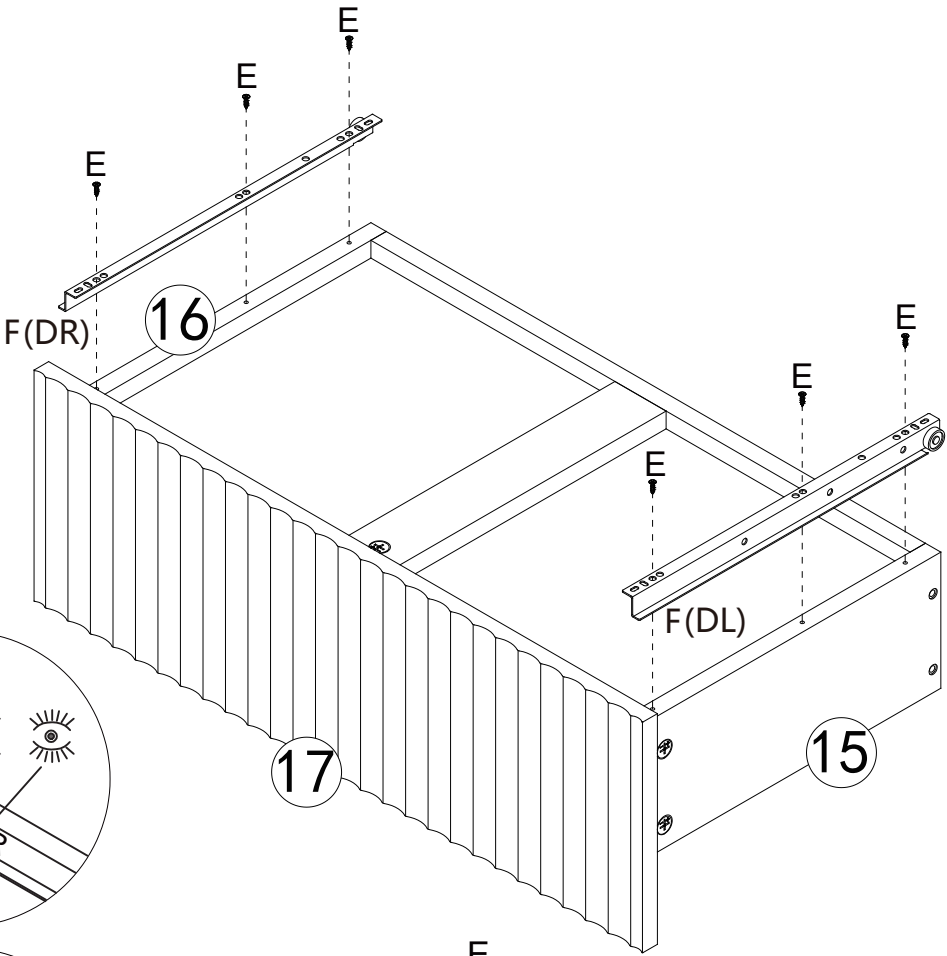
x3

# Step 16


E   36PCS

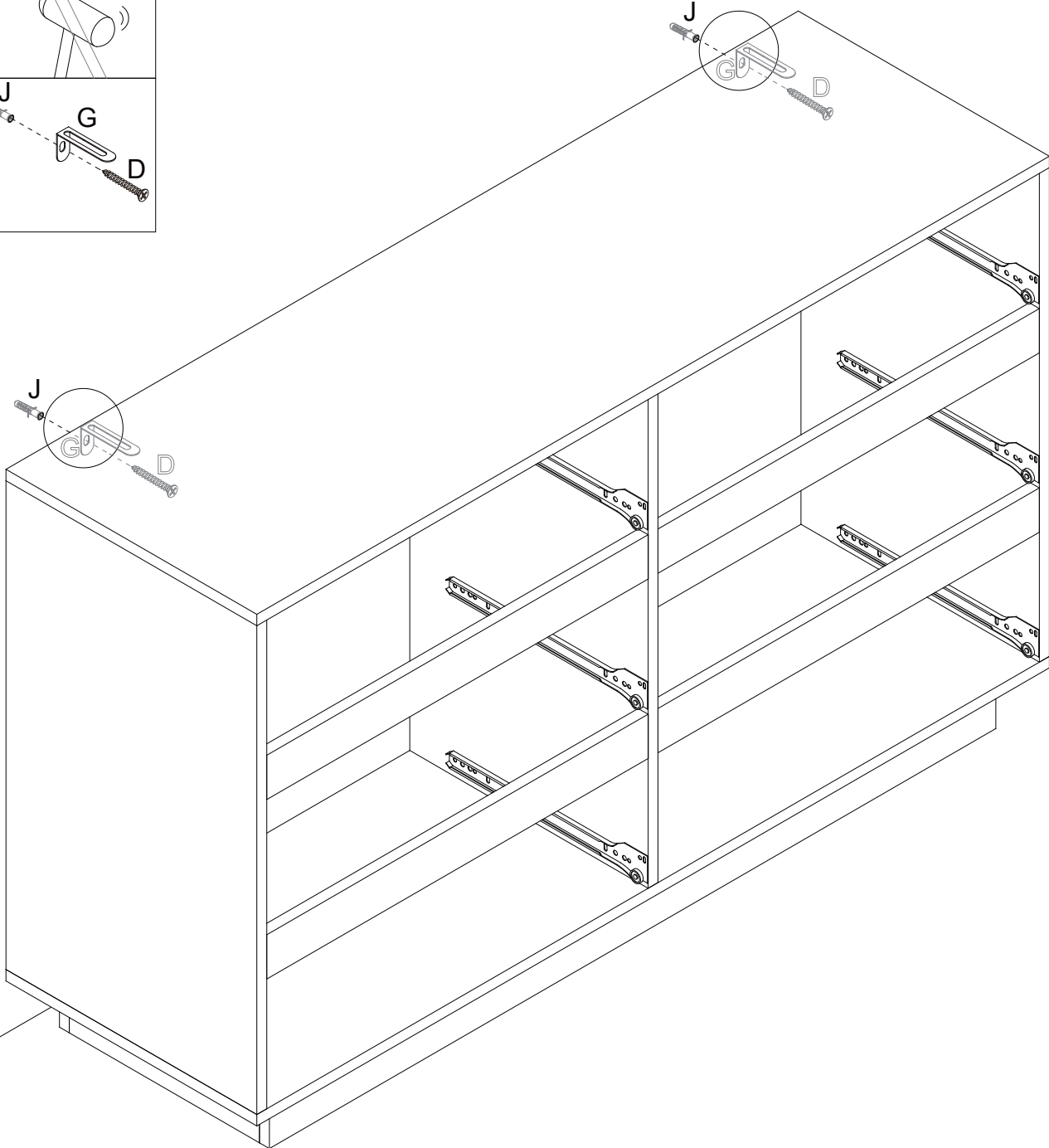
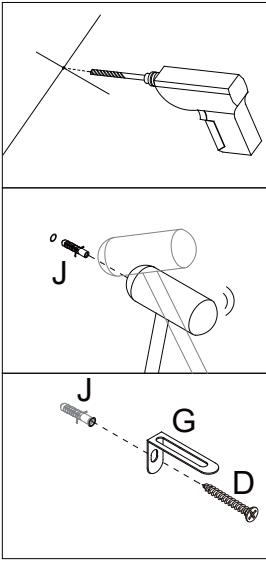
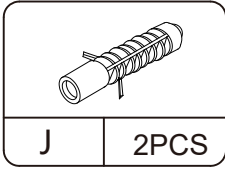
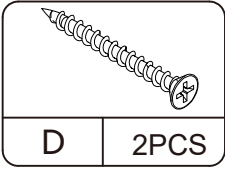

F(DL)   6PCS


F(DR)   6PCS

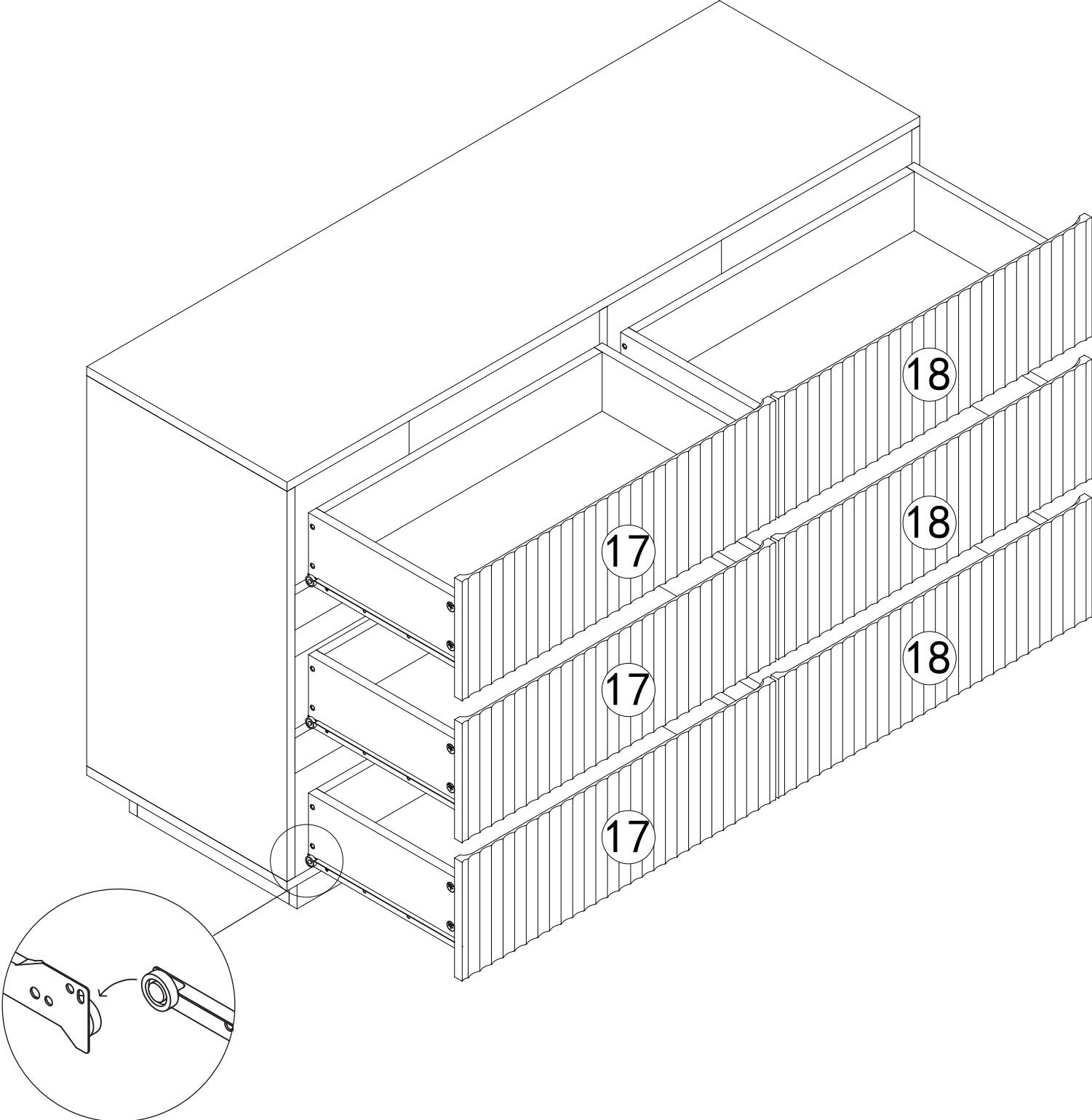


x3

# Step 17



# Step 18



# Proper Use

- DO NOT** use for commercial purposes
- DO NOT** use as a step stool or stand on table
- DO NOT** put hot serving liquid directly on the table top
- DO NOT** leave spilled liquid on the table top
- DO NOT** use table if damaged
- DO NOT** exceed weight limit
- DO NOT** make temporary repairs
- DO NOT** use outdoor

Dear Customer:

Thank you for purchasing our product,we wish you satisfy our service,if you have any further questions or any quality issues,please show the belows number and don't hesitate to contact our Customer Service People:

**W688202406**