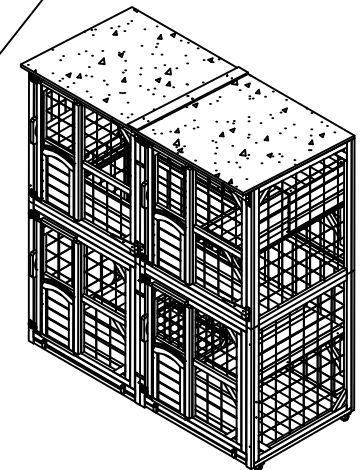
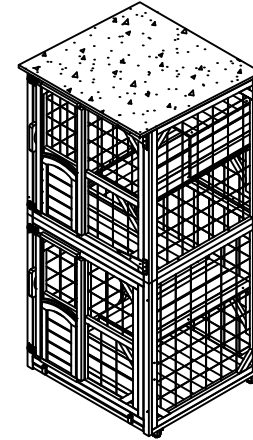


ASSEMBLY INSTRUCTIONS
PLEASE RETAIN THESE INSTRUCTIONS FOR FUTURE USE



TIME ASSEMBLE : 30-60 minutes



NUMBER OF PERSON: 2

Greeting!
So here I am

your new pet house

- ▶ Thanks for letting me be a home for your furry friend(s).
- ▶ They'll be cozy and protected from the weather when they're with me.
- ▶ Just remember to take care of me too, so I can last a long time.
- ▶ When you first get me, you might smell a funny smell. Don't worry it's not dangerous.
- ▶ Just let me air out for a few days and the smell will go away.
- ▶ Be careful when you're putting me together because some of my parts can be sharp or heavy.
- ▶ Make sure to start by loosely putting in screws, and then tighten them all before using me.
- ▶ If you notice anything broken or missing, stop using me until it's fixed. and please follow the instructions from the maker so your warranty stays good.
- ▶ You can use me both inside and outside, but if you put me outside, make sure to give me an extra cover to keep me from getting moldy.
- ▶ I like to be on a level surface so my doors work smoothly.
- ▶ Keep me away from fire and dangerous chemicals.
- ▶ Clean me with a damp, soapy sponge without corrosive agents.
- ▶ Dry me with a soft, clean, dry cloth.
- ▶ Do not use a high pressure cleaner on me.
- ▶ Do not use bleach, acids, solvents, or abrasive cleaners on me.
- ▶ Check that all my bolts, screws, and knobs are tight every 90 days.



HELP CENTER

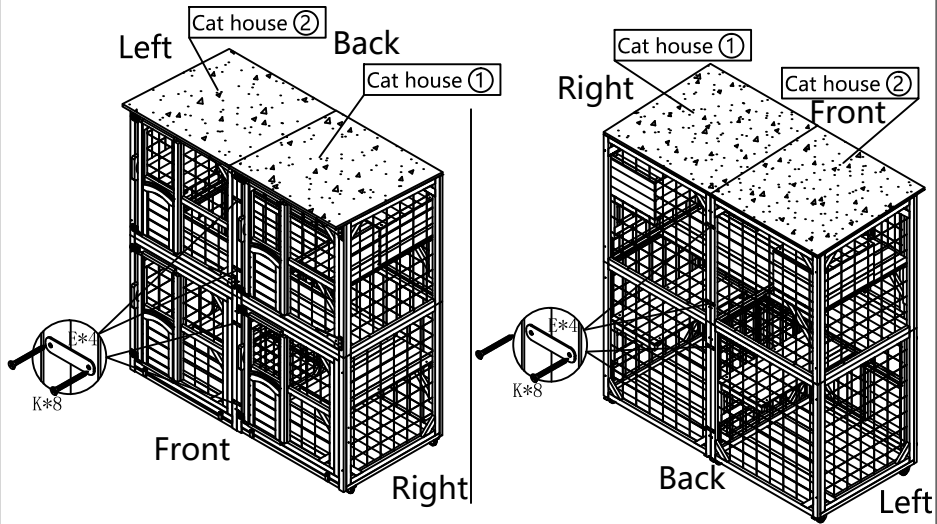
- ▶ Your full satisfaction is our **FIRST** priority
- ▶ We hope you enjoy it and have a good shopping experience.
- ▶ We are committed to resolve any situation when it does not meet your expectations.
- ▶ Please feel free to contact us through order detail page, we will get back to you and solve them within 24 hours.



WARNING:

Manufacturer and seller expressly disclaim any liability for personal injury, property damage or loss, whether direct, indirect, or incidental, resulting from incorrect attachment, improper use, inadequate maintenance or neglect of this.

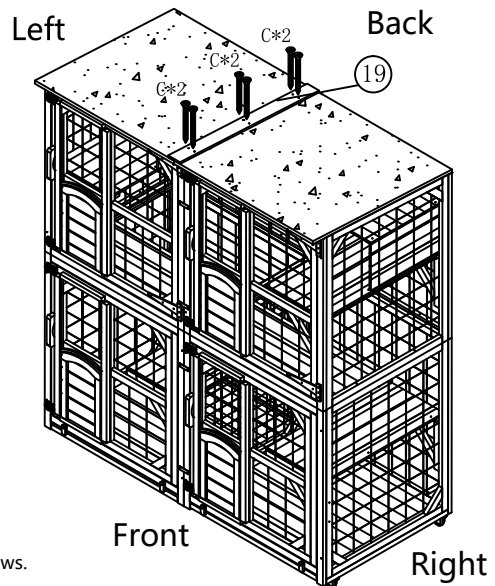
K M3*20 16PCS E  8PCS



Connect Cat house ① and Cat house ② together with (E)*8 Metal connector and screws.

STEP 32

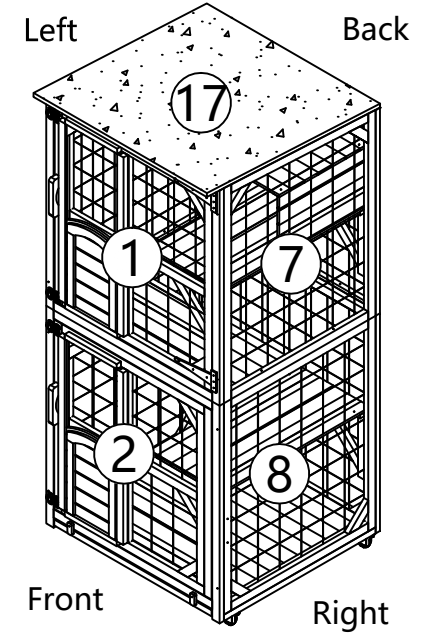
C M3*23 6PCS



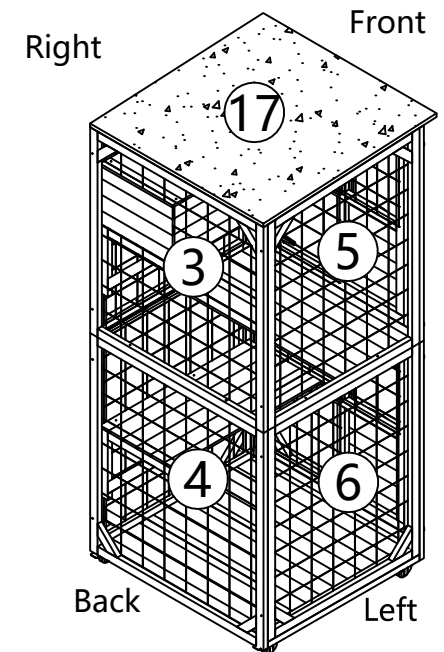
Fix ①⑨ Ridge with screws.

STEP 33

Front View

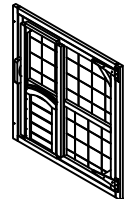
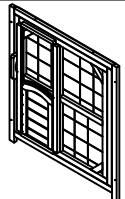
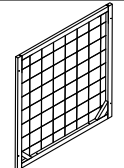
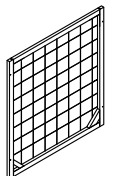
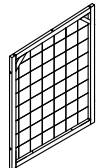
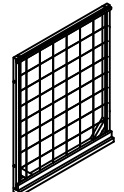
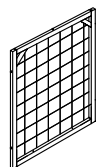
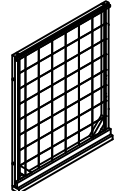
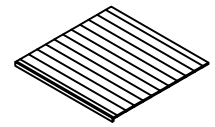
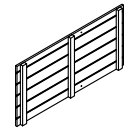
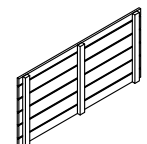
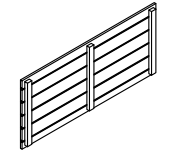
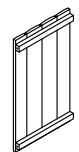
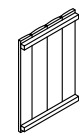
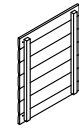


Back View

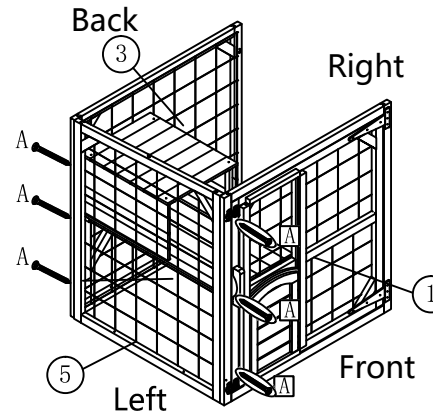


ASSEMBLY INSTRUCTION

Tool Required:  Electric Drill  Phillips Screwdriver

		
① Front upper panel	② Front down panel	③ Back upper panel
		
④ Back down panel	⑤ Left upper panel	⑥ Left down panel
		
⑦ Right upper panel	⑧ Right down panel	⑨ Wooden tray
		
⑩ Bottom panel	⑪ Platform panel	⑫ Platform panel
		
⑬*2 Side panel of small house	⑭ Back panel of small house	⑮ Roof of small house

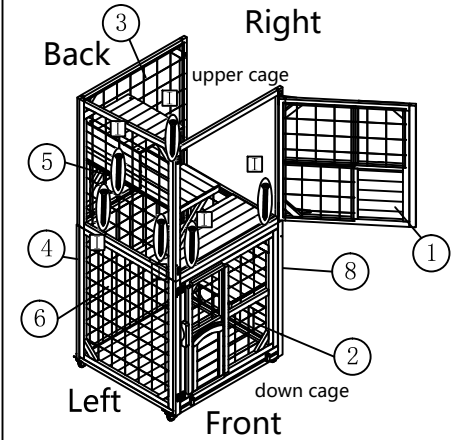
A M3.5*45 6PCS



Attach ① Front upper panel, ③ Front down panel, ⑤ Left upper panel with screws.

STEP 28

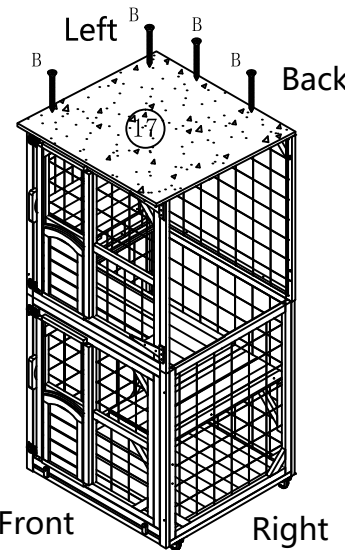
I M3.5*60 6PCS



Fix the upper cage and down cage together with screws.

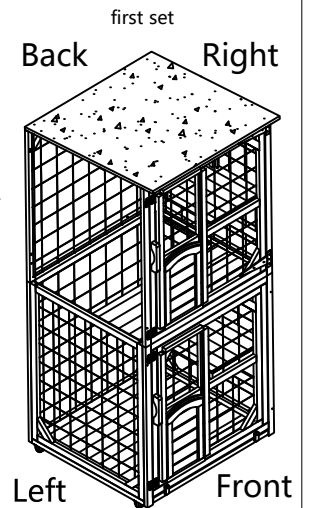
STEP 29

B M3*35 4PCS



Fix ⑰ Roof with screws.

STEP 30



Take off ⑤ Left upper panel from first set.

STEP 31

C M3*23 8PCS

Attach ⑬*2 Side panel of small house, ⑭ Back panel of small house with screws. then fix ⑮ Roof of small house with screws.

STEP 24

C M3*23 8PCS

Fix ⑯*2 Trangle supporter on ⑩ Bottom panel with screws.

STEP 25

A M4*45 4PCS

Fix the small house on ⑤ left upper panel with screws.

STEP 26

A M3.5*45 2PCS J 2PCS
D M3*16 8PCS

Fix (J)*2 Bolt on ① Front upper panel with screws.
Fix ⑱ Wooden handle on ① Front upper panel with screws.

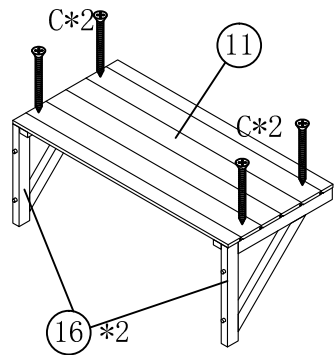
STEP 27

ASSEMBLY INSTRUCTION

Tool Required: Electric Drill Phillips Screwdriver

⑯*4 Trangle supporter	⑰ Roof	⑱ *2 Wooden handle
⑲ Ridge		
Parts Description		
	A M3.5*45	36PCS+1
	B M3*35	6PCS+1
	C M3*23	30PCS+1
	D M3*16	16PCS+1
	E	8PCS
	F M3*25	2PCS+1
	G	2PCS
	H	4PCS
	I M3.5*60	8PCS+1
	J	4PCS
	K M3*20	16PCS+1
	L	1PC

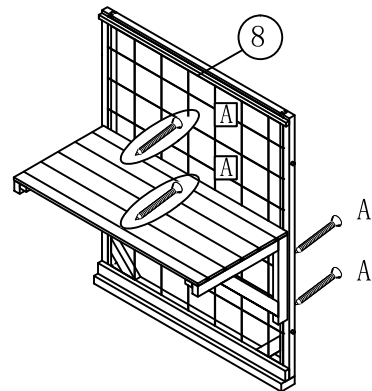
C M3*23 4PCS



Fix (16)*2 Trangle supporter on (11) Platform panel with screws.

STEP 1

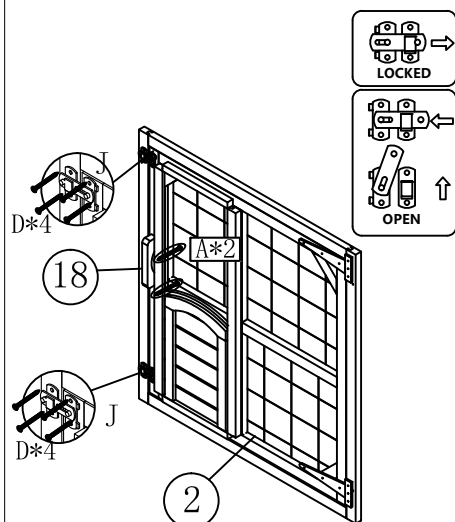
A M3.5*45 4PCS



Fix the part of assembled Step 16 on (8) Right down panel with screws.

STEP 2

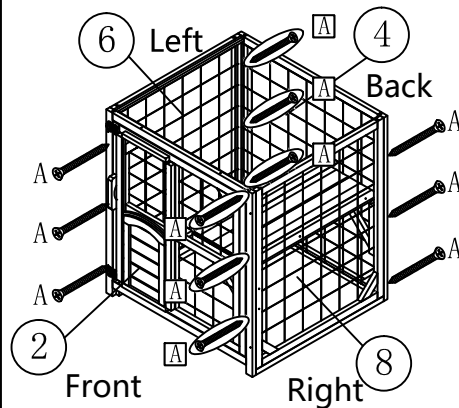
D M3*16 8PCS J 2PCS
A M3.5*45 2PCS



Fix (J)*2 Bolt on (2) Front down panel with screws, Fix (18) Wooden handle on (2) Front down panel with screws.

STEP 3

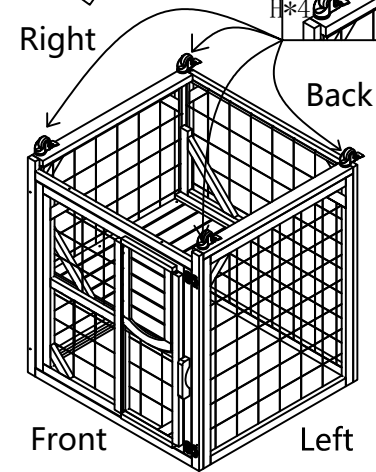
A M3.5*45 12PCS



Attach (2) Front down panel, (4) Back down panel, (6) Left down panel, (8) Right down panel together with screws.

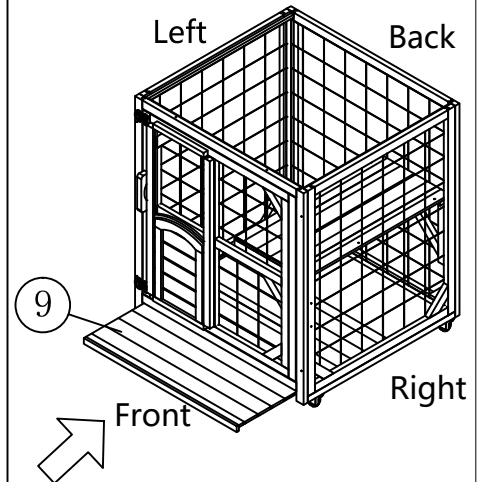
STEP 4

H 4PCS
L 1PC



Turn over the assembled set, and then Fix (H)*4 Wheelie with (L) Spanner.

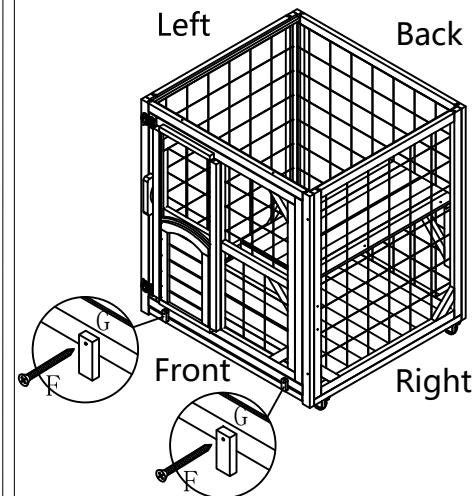
STEP 20



Insert (9) Wooden tray.

STEP 21

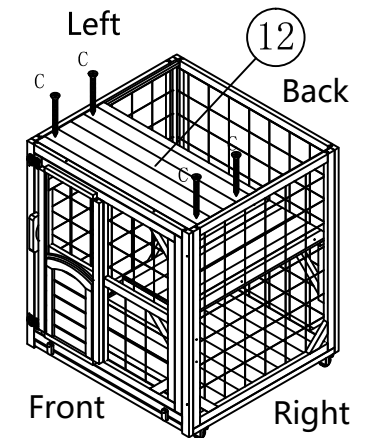
G 2PCS F M3*25 2PCS



Fix (G)*2 Wooden knob with screws

STEP 22

C M3*23 4PCS

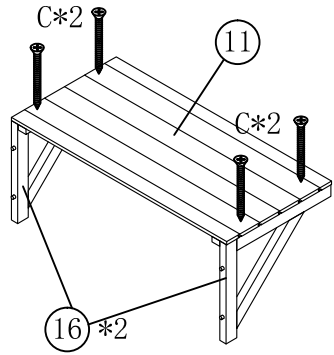


Fix (12) Platform panel with screws

STEP 23

ASSEMBLY INSTRUCTIONS FOR TWO SETS CONNECTION

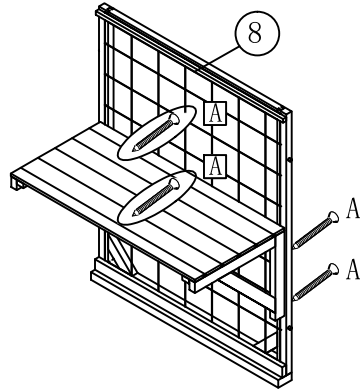
C M3*23 4PCS



Fix ⑯*2 Trangle supporter on ⑪ Platform panel with screws.

STEP 16

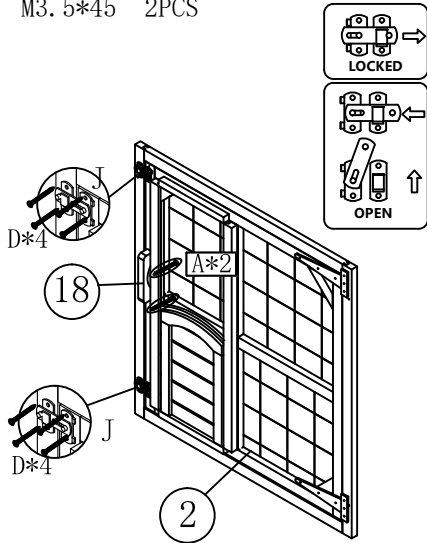
A M3.5*45 4PCS



Fix the part of assembled Step 16 on ⑧ Right down panel with screws.

STEP 17

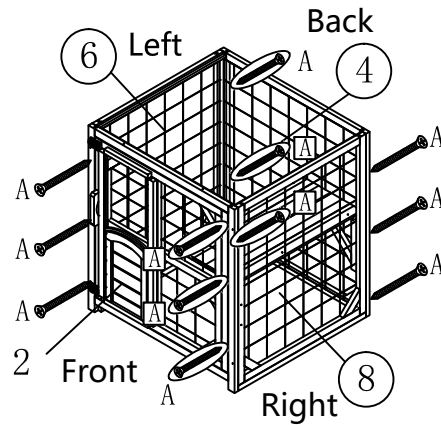
D M3*16 8PCS J 2PCS
A M3.5*45 2PCS



Fix (J)*2 Bolt on ② Front down panel with screws, Fix ⑱ Wooden handle on ② Front down panel with screws.

STEP 18

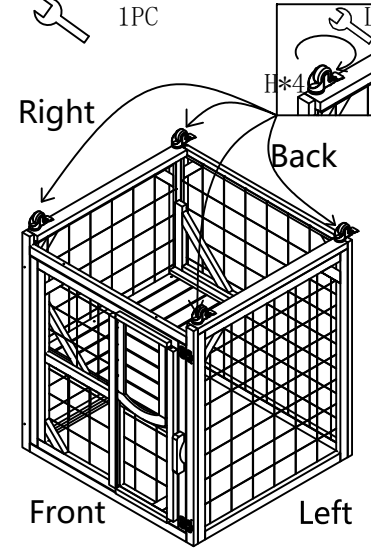
A M3.5*45 12PCS



Attach ② Front down panel ④ Back down panel ⑥ Left down panel, ⑧ Right down panel together with screws.

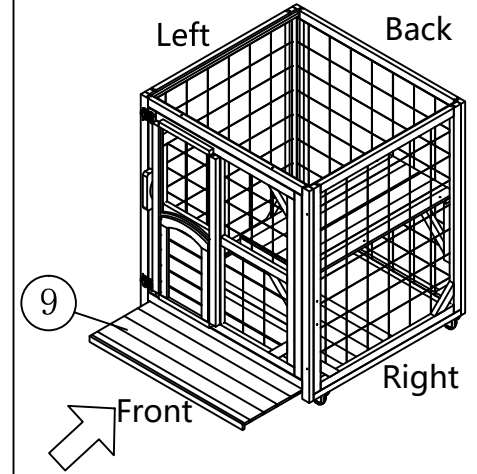
STEP 19

H 4PCS
L 1PC



Turn over the assembled set, and then Fix (H)*4 Wheelie with (L) Spanner.

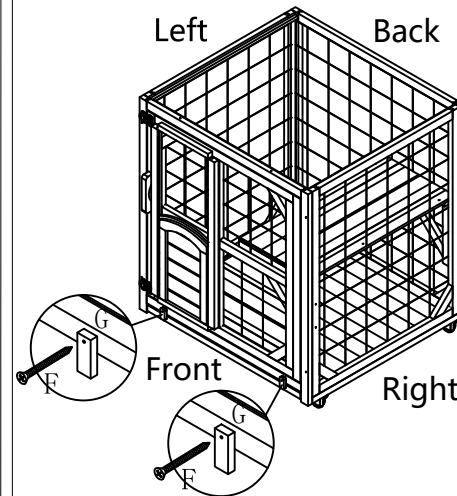
STEP 5



Insert ⑨ Wooden tray.

STEP 6

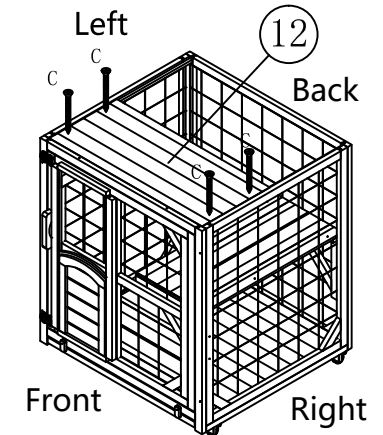
G 2PCS F M3*25 2PCS



Fix (G)*2 Wooden knob with screws.

STEP 7

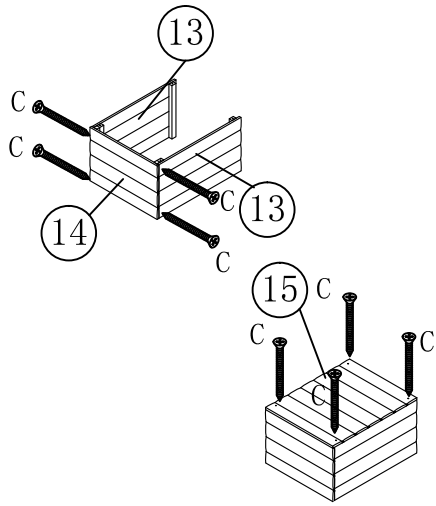
C M3*23 4PCS



Fix ⑫ Platform panel with screws.

STEP 8

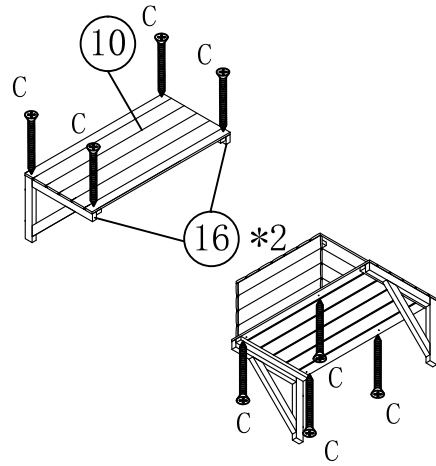
C M3*23 8PCS



Attach ⑬*2 Side panel of small house, ⑭ Back panel of small house with screws. then fix ⑮ Roof of small house with screws.

STEP 9

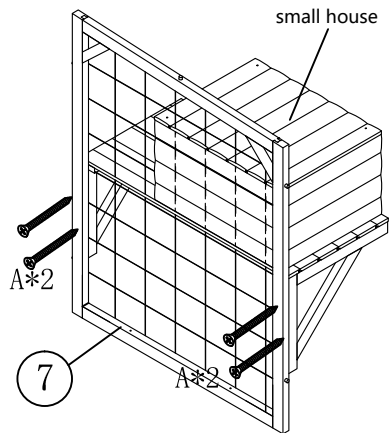
C M3*23 8PCS



Fix ⑯*2 Trangle supporter on ⑩ Bottom panel with screws.

STEP 10

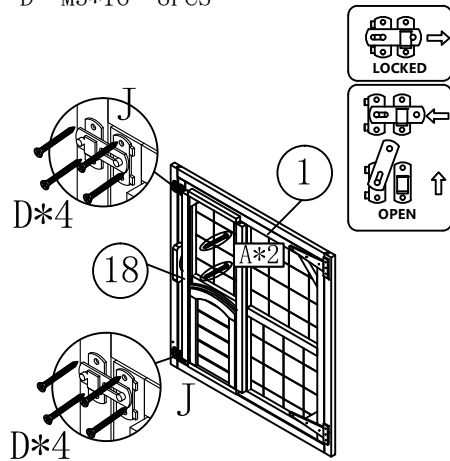
A M3.5*45 4PCS



Fix the small house on ⑦ Right upper panel with screws.

STEP 11

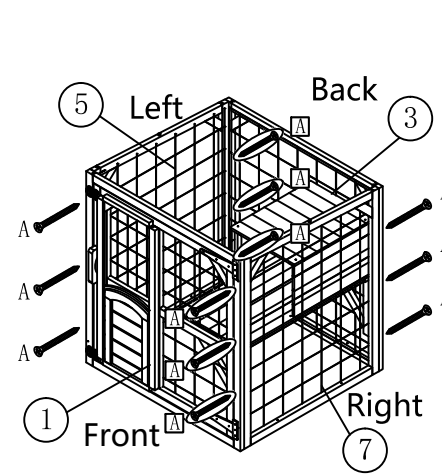
A M3.5*45 2PCS J 2PCS
D M3*16 8PCS



Fix (J) *2 Bolt on ① Front upper panel with screws.
Fix ⑱ Wooden handle on ① Front upper panel with screws.

STEP 12

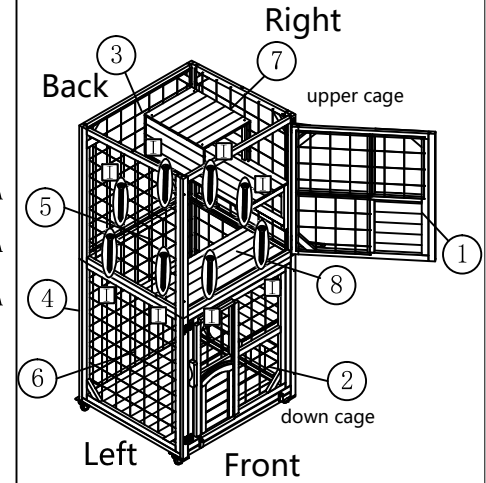
A M3.5*45 12PCS



Attach ① Front upper panel, ③ Front down panel, ⑤ Left upper panel, ⑦ Right upper panel with screws.

STEP 13

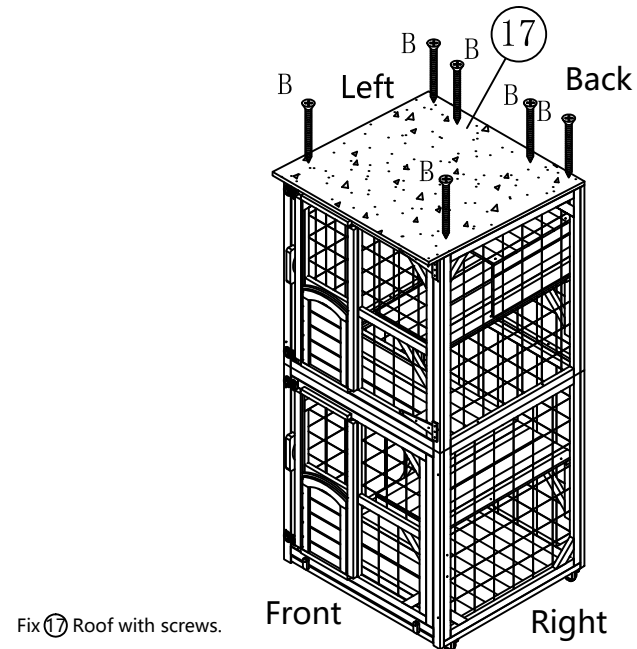
I M3.5*60 8PCS



Fix the upper cage and down cage together with screws.

STEP 14

B M3*35 6PCS



Fix ⑰ Roof with screws.

STEP 15