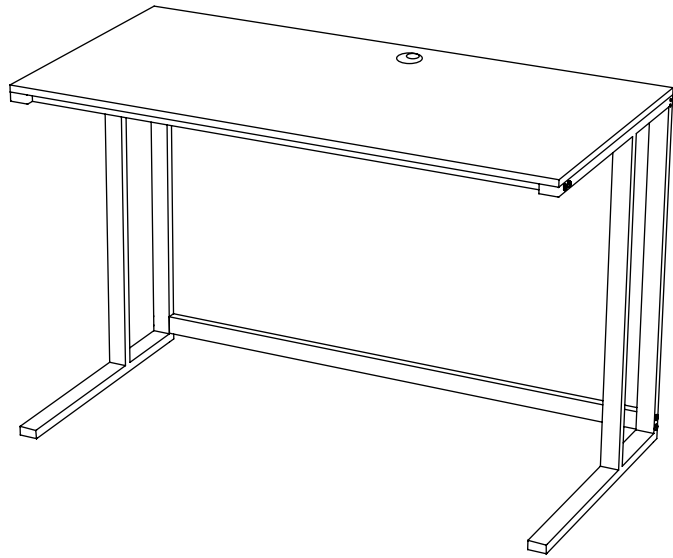
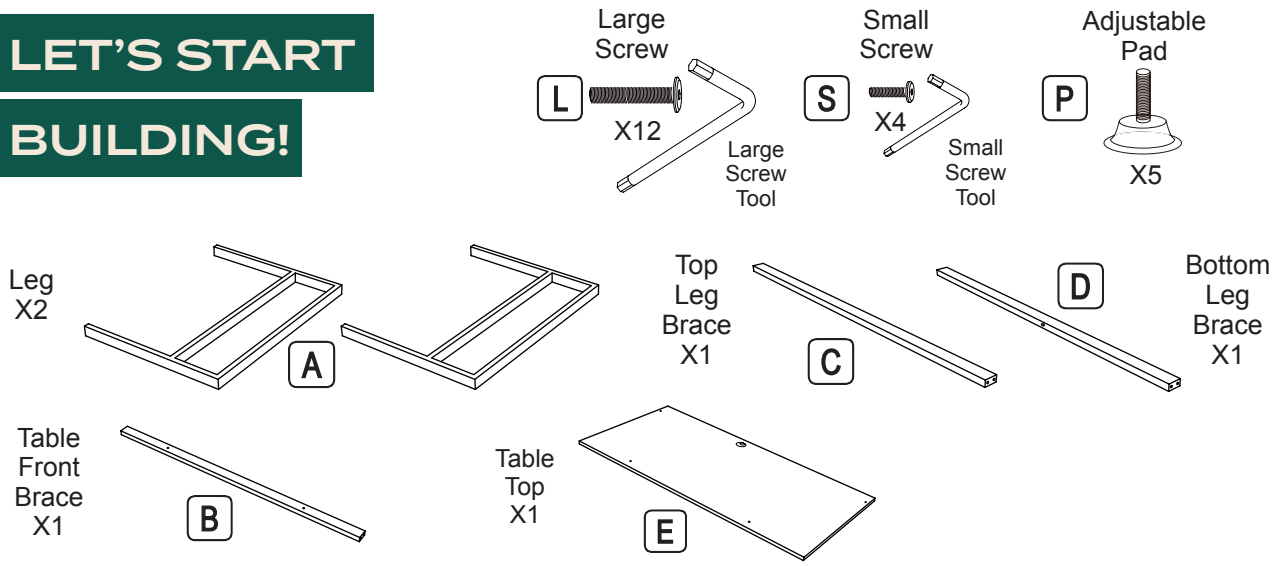


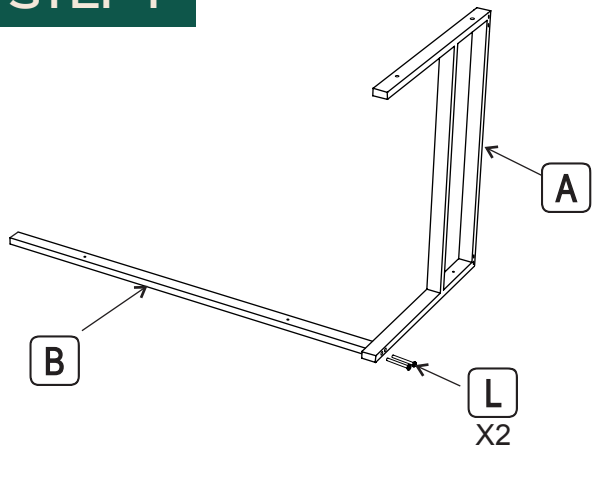
# MODERN COMPUTER TABLE INSTRUCTIONS



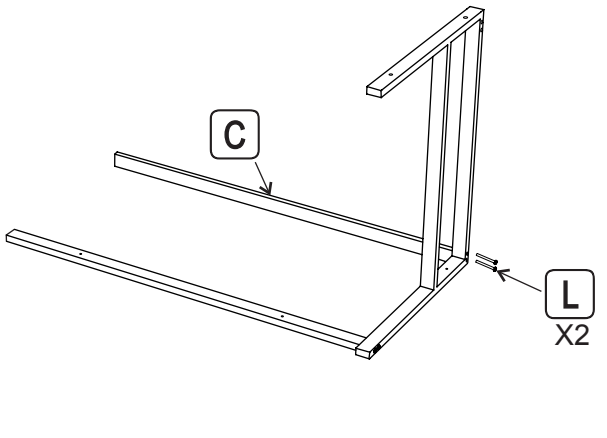
## LET'S START BUILDING!



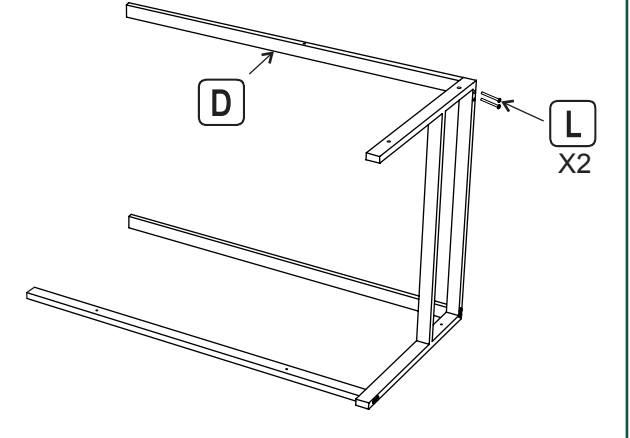
### STEP 1



### STEP 2

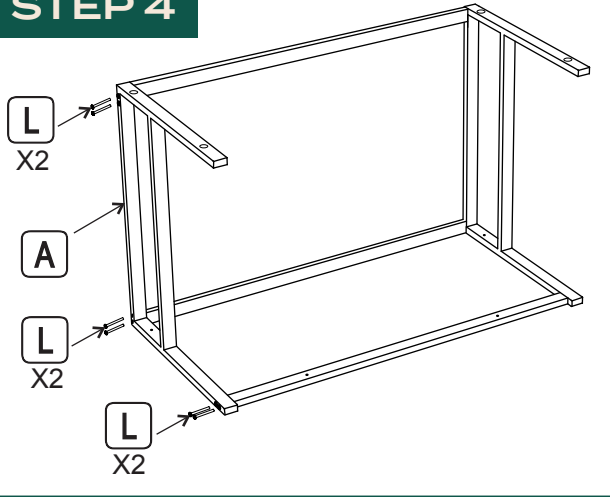


### STEP 3

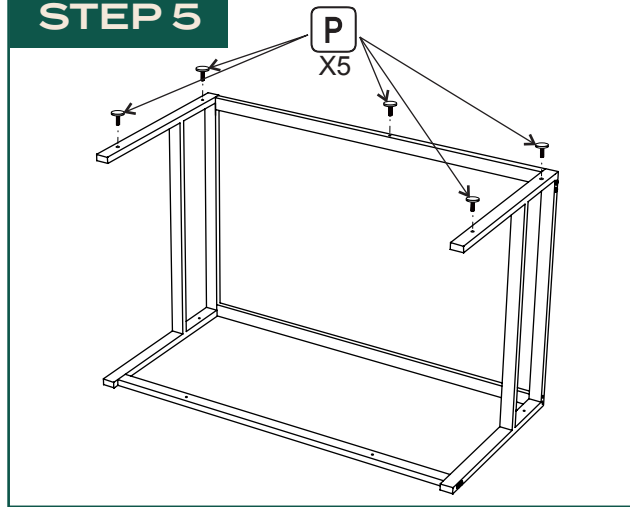


# MODERN COMPUTER TABLE INSTRUCTIONS

## STEP 4

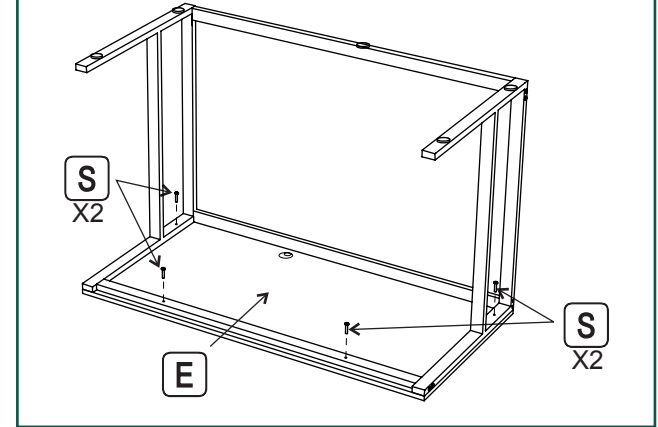


## STEP 5



## STEP 6

IMPORTANT: WHEN TURNING DESK OVER, PLACE ON SOFT SURFACE TO PREVENT DAMAGE. DO NOT OVERTIGHTEN SCREWS.



**ALL DONE.**

**YOU'RE A ROCK STAR**

## PLEASE READ THE FOLLOWING:

If you have any questions OR concerns with assembling your new modern computer desk, our friendly customer service team would love to answer them.

Or if by some chance you have a warranty issue, we can take care of that too.

**We take pride in our products  
and we're always trying to go  
the extra mile to exceed our  
customer's expectations.**

**If this product meets or exceeds  
your expectations, please take  
5 minutes to leave a review.**

**We appreciate you 😊**