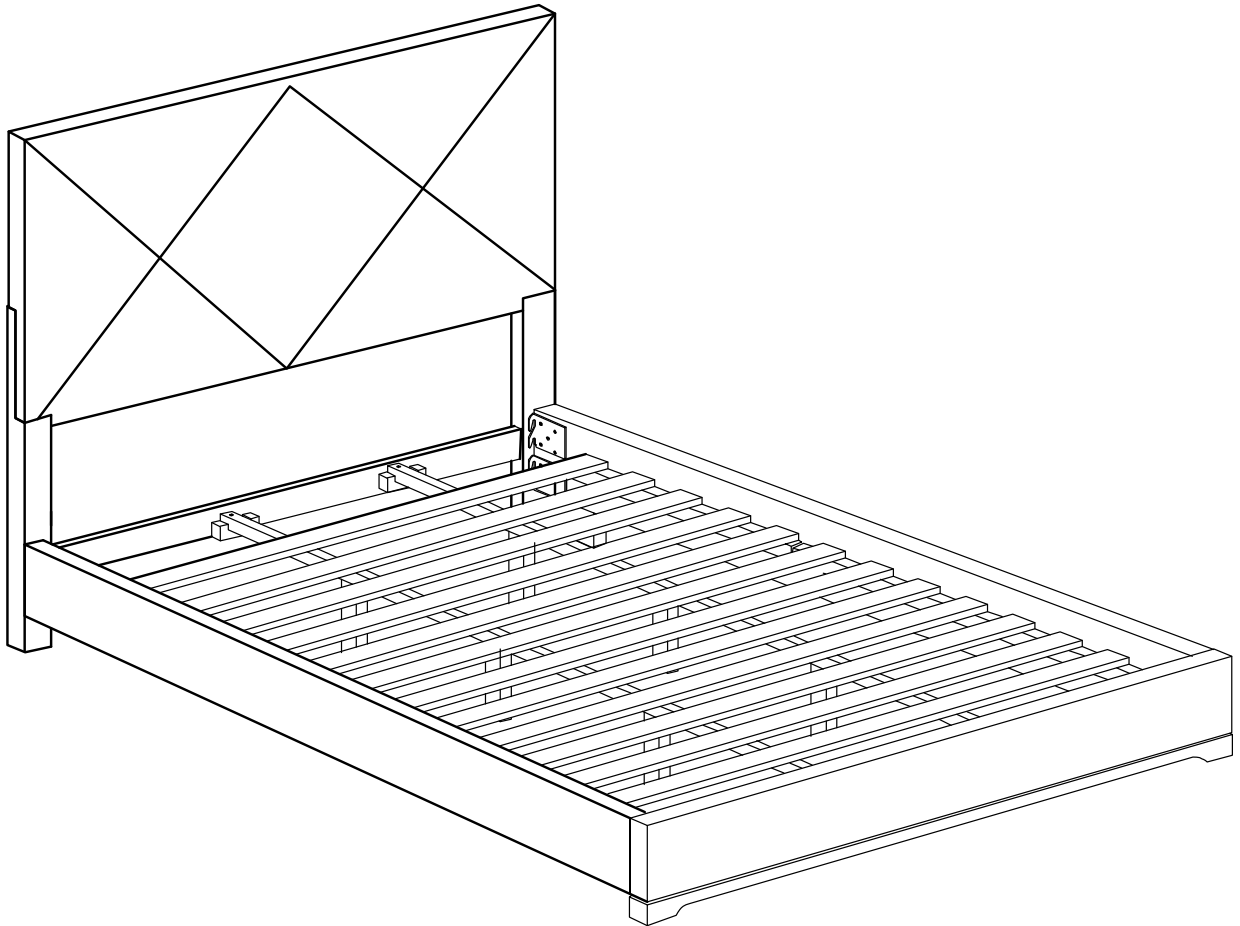


Owner Manual



NOTE:

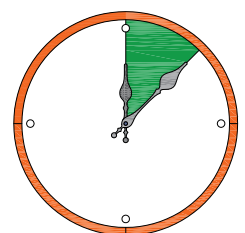
This brochure contains IMPORTANT safety info. Please read and keep for future reference.

MAINTENANCE AND WARNING

- 1.Keep furniture away from heat sources.
- 2.Do not clean furniture with harsh cleaner or polishes.Do not use detergents,solvents,abrasives,spray packs or leather cleaner. Use non-color mild soa with warm water to clean spills(Mix 1:10 soap to water).
- 3.Do not place furniture under direct sunlight,material will possibly fade over time.
- 4.Do not use on site dry cleaning machine.Children should not climb or jump on the furniture.
- 5.Do not write on furniture that is not protectedby a padded barrier.
- 6.Not for commercial use,only for residential use.

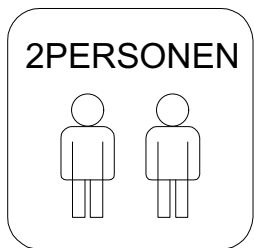
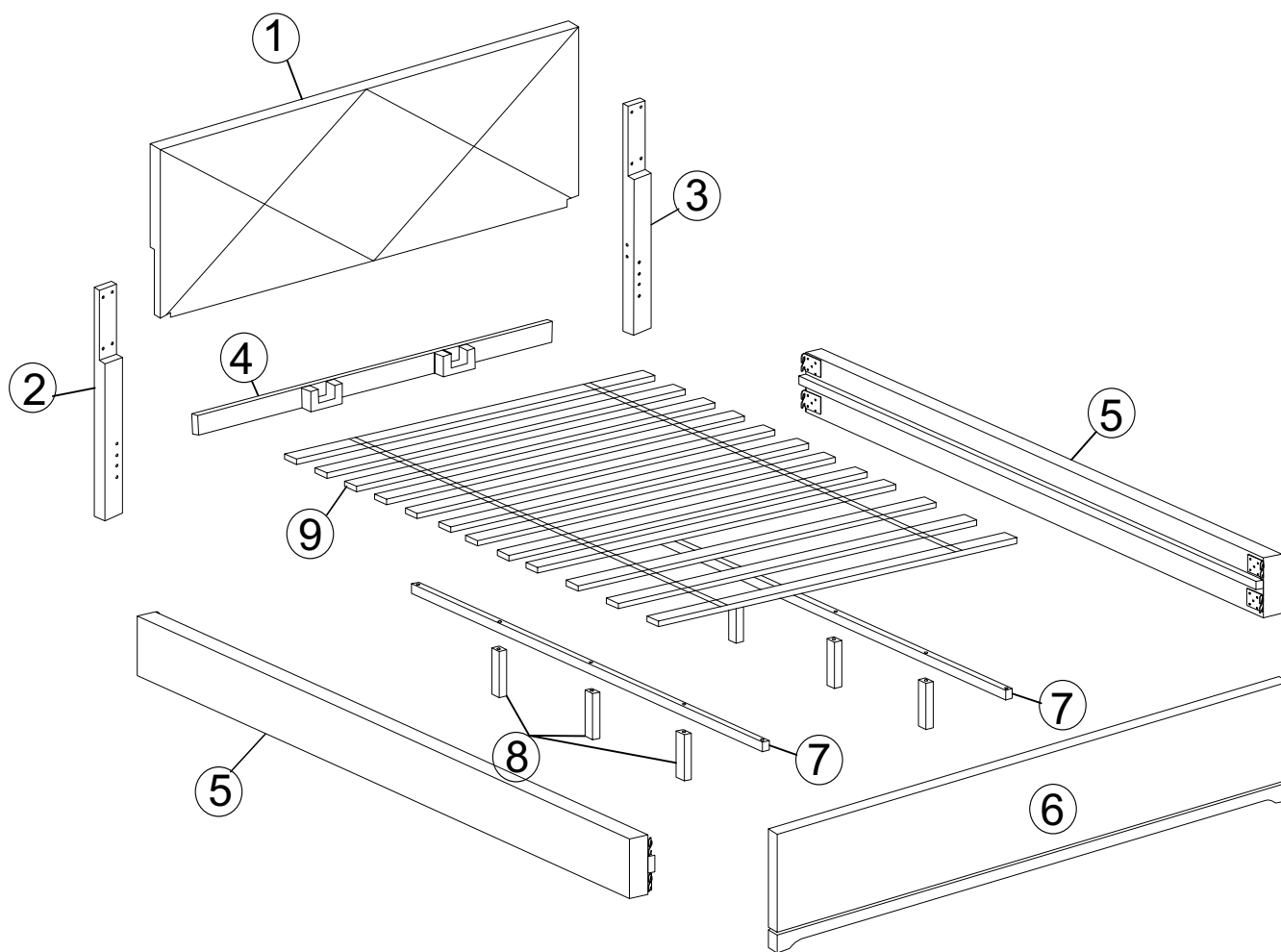


Weight Limitation
900 LBS

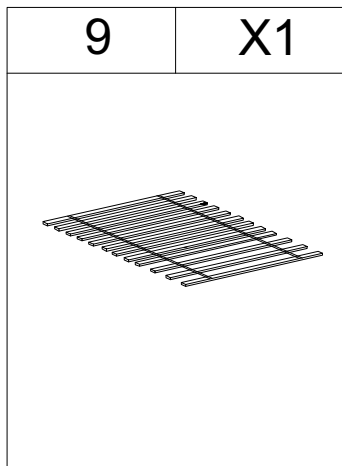
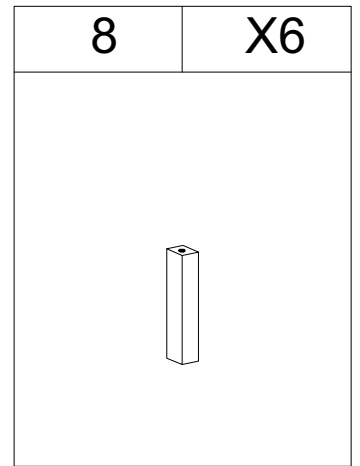
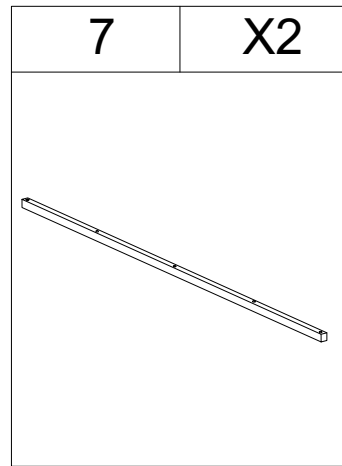
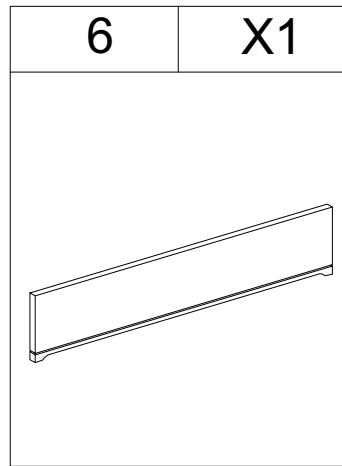
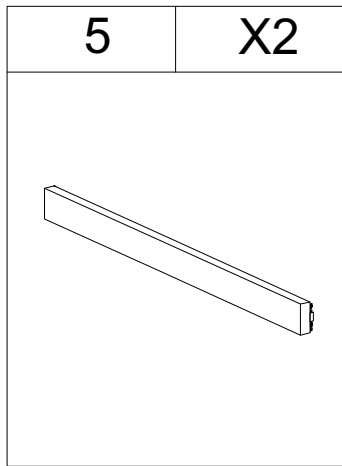
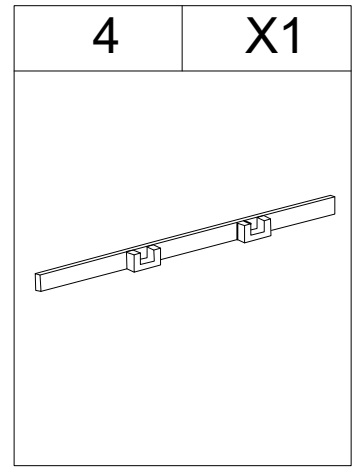
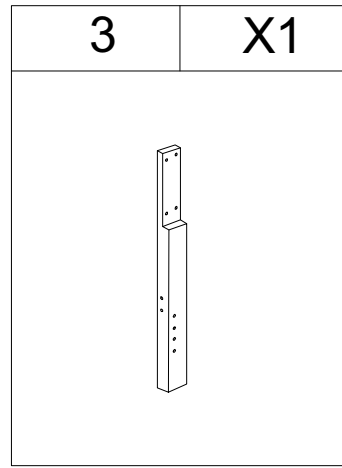
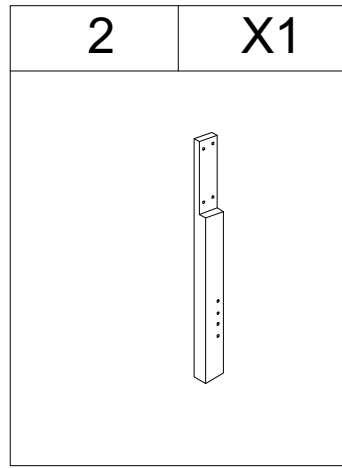
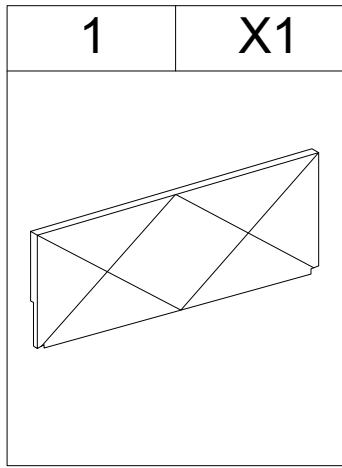


Around 60 min

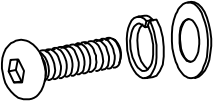
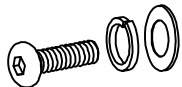
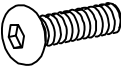
EXPLOSIVE VIEW

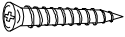



PARTS LIST

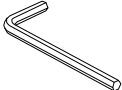
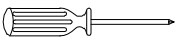


HARDWARE LIST

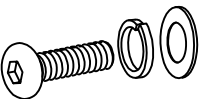
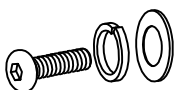

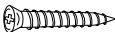
#A	x12	#B	x16	#C	x6
					
M8* 50mm		M8*40mm		M6*60mm	

#D	x48	#E	x4
			
35mm		60mm	

TOOL LIST

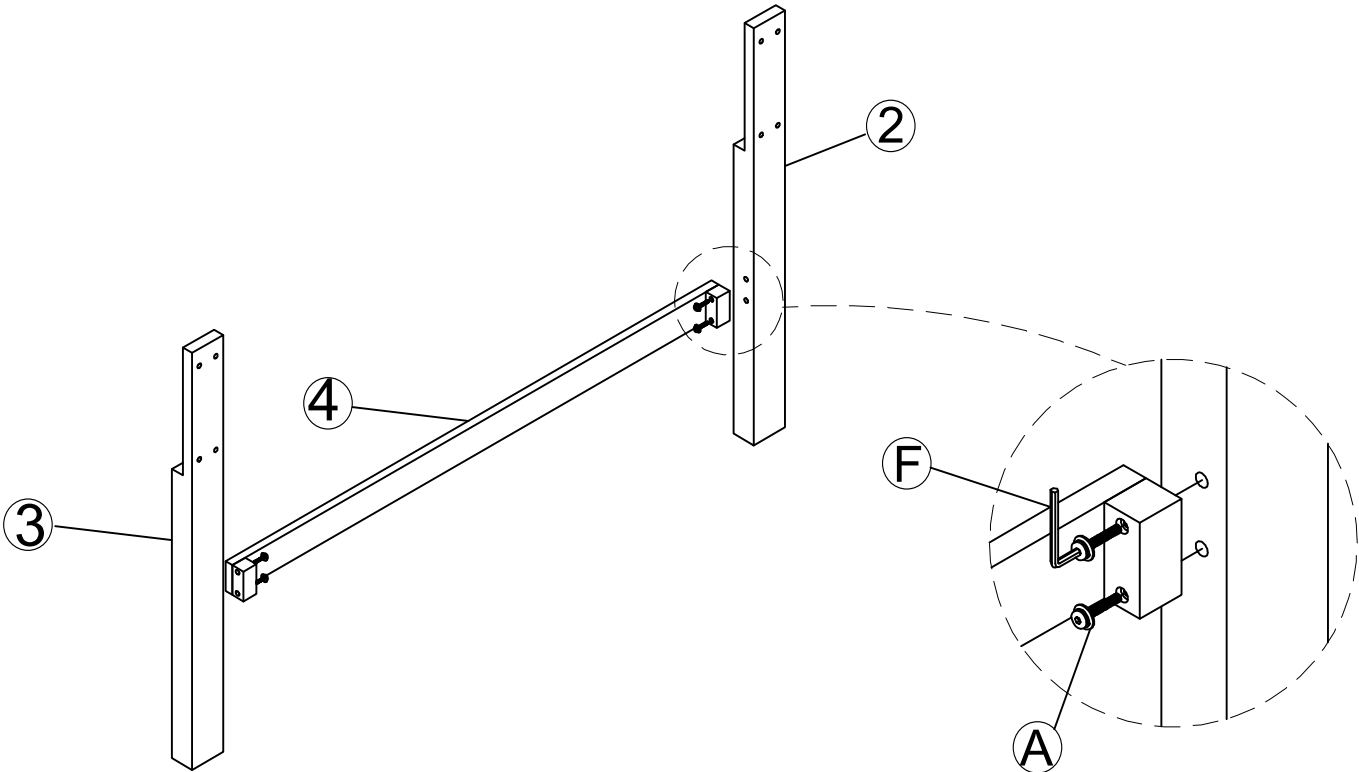
#F	x1	#G	x1
			
M6		Provide for oneself	

HARDWARE SPARE LIST

#A	x 1	#B	x1	#C	x1	#D	x2
							
M8*50mm		M8*40mm		M6*60mm		35mm	

ASSEMBLY INSTRUCTIONS

STEP-1

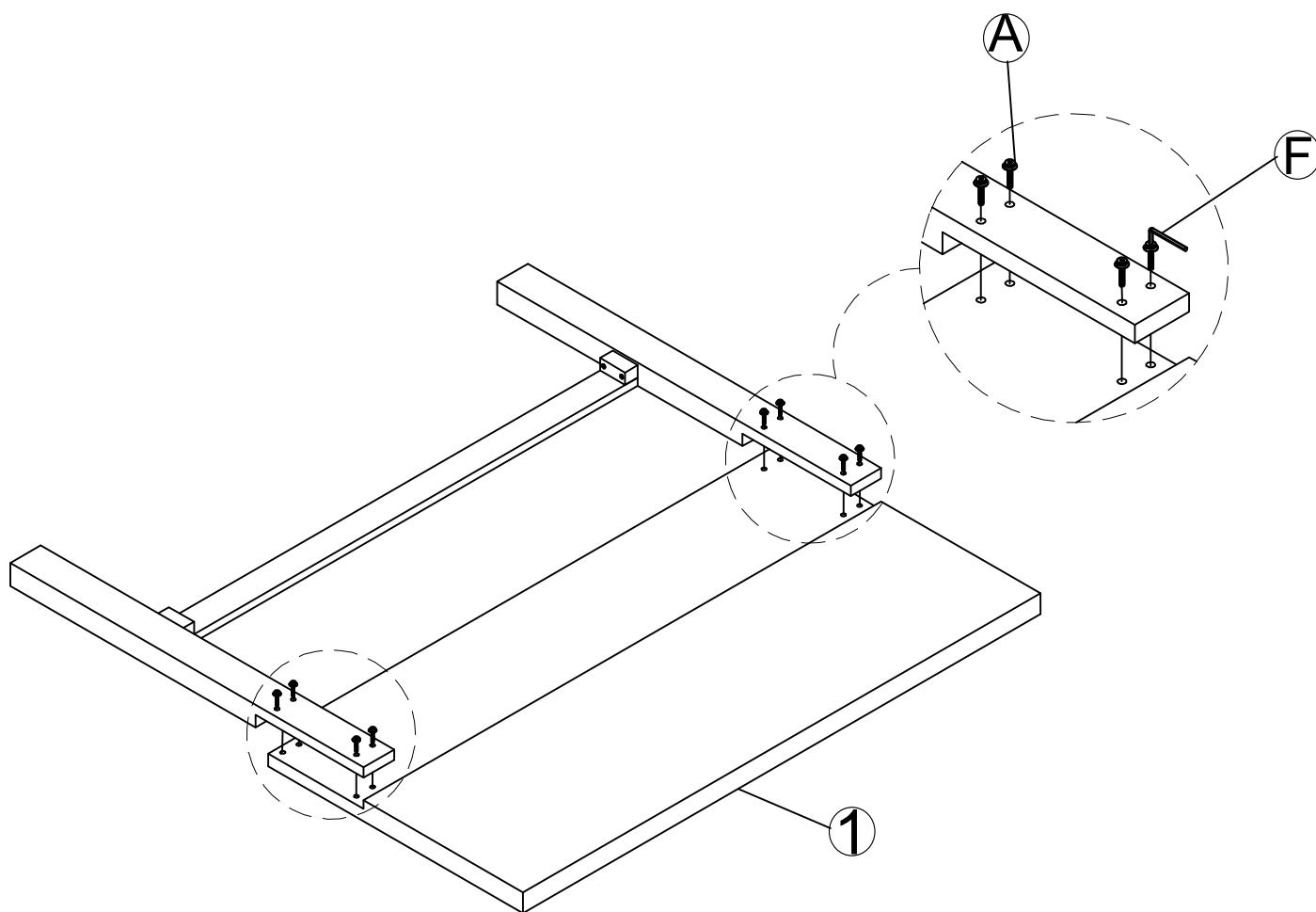


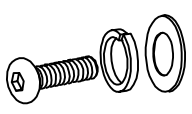
#A	x4
M8* 50mm	

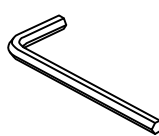
#F	x1
M6	

ASSEMBLY INSTRUCTIONS

STEP-2

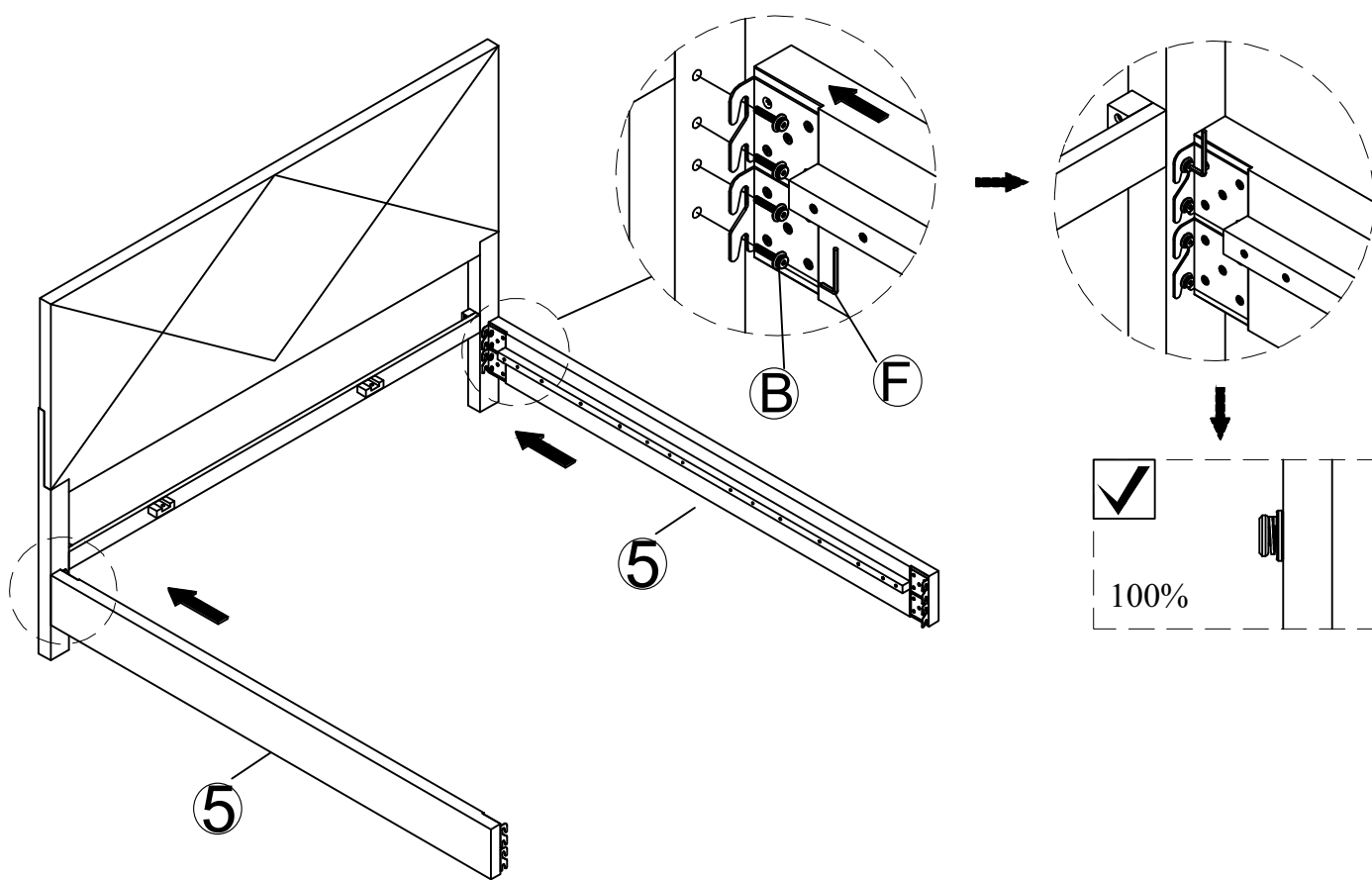


#A	x8
	
M8* 50mm	

#F	x1
	
M6	

ASSEMBLY INSTRUCTIONS

STEP-3

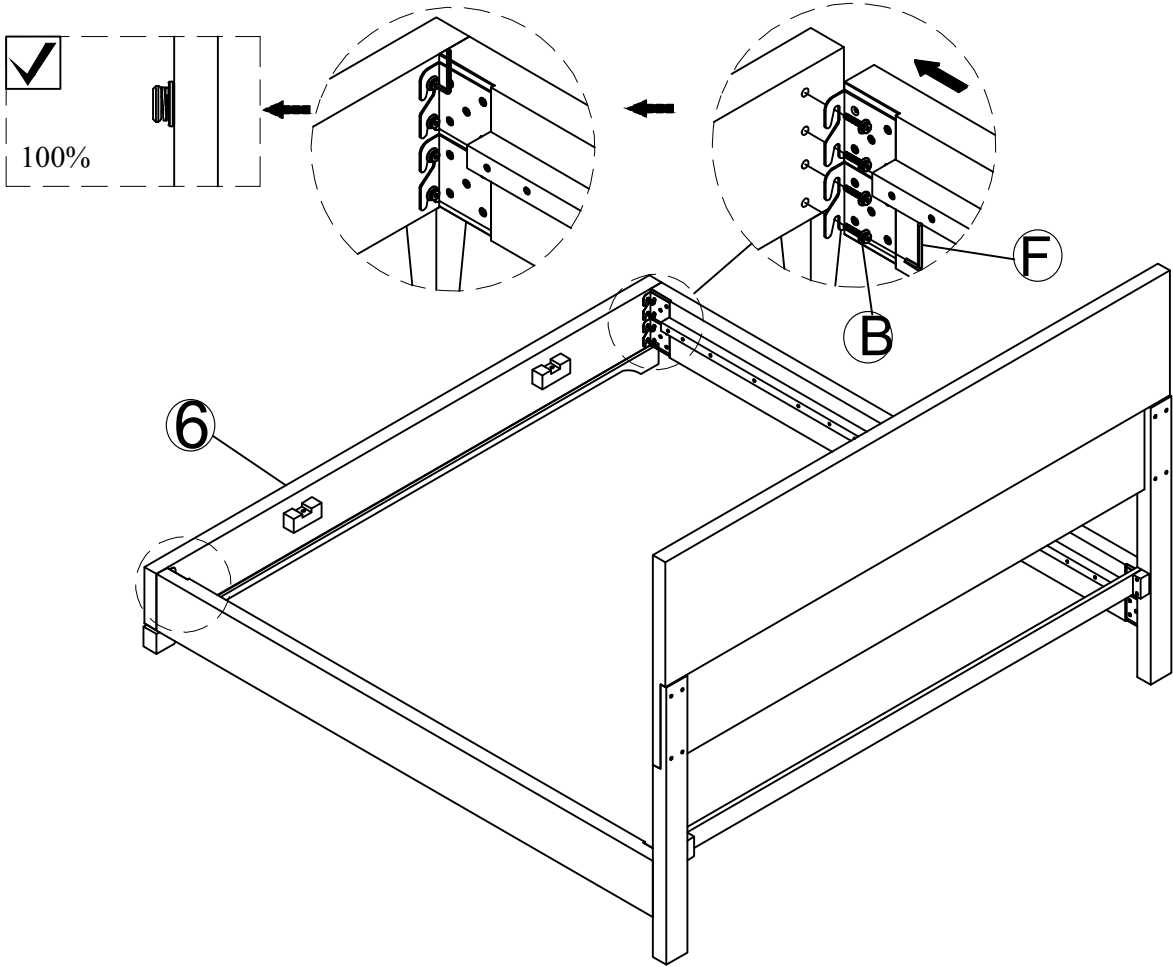


#B	x8
M8*40mm	

#F	x1
M6	

ASSEMBLY INSTRUCTIONS

STEP-4

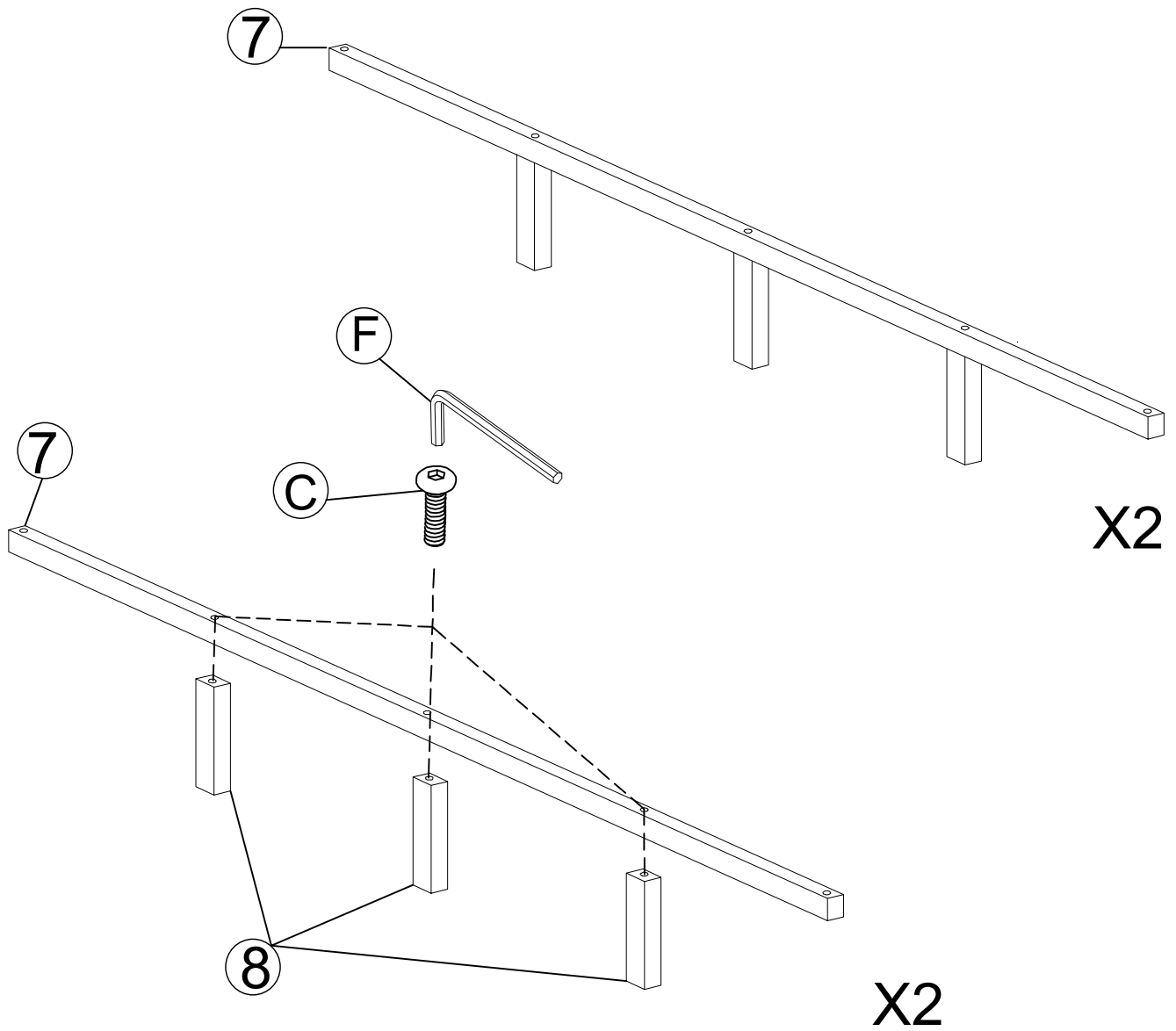


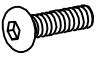
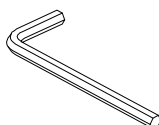
#B	x8
M8*40mm	

#F	x1
M6	

ASSEMBLY INSTRUCTIONS

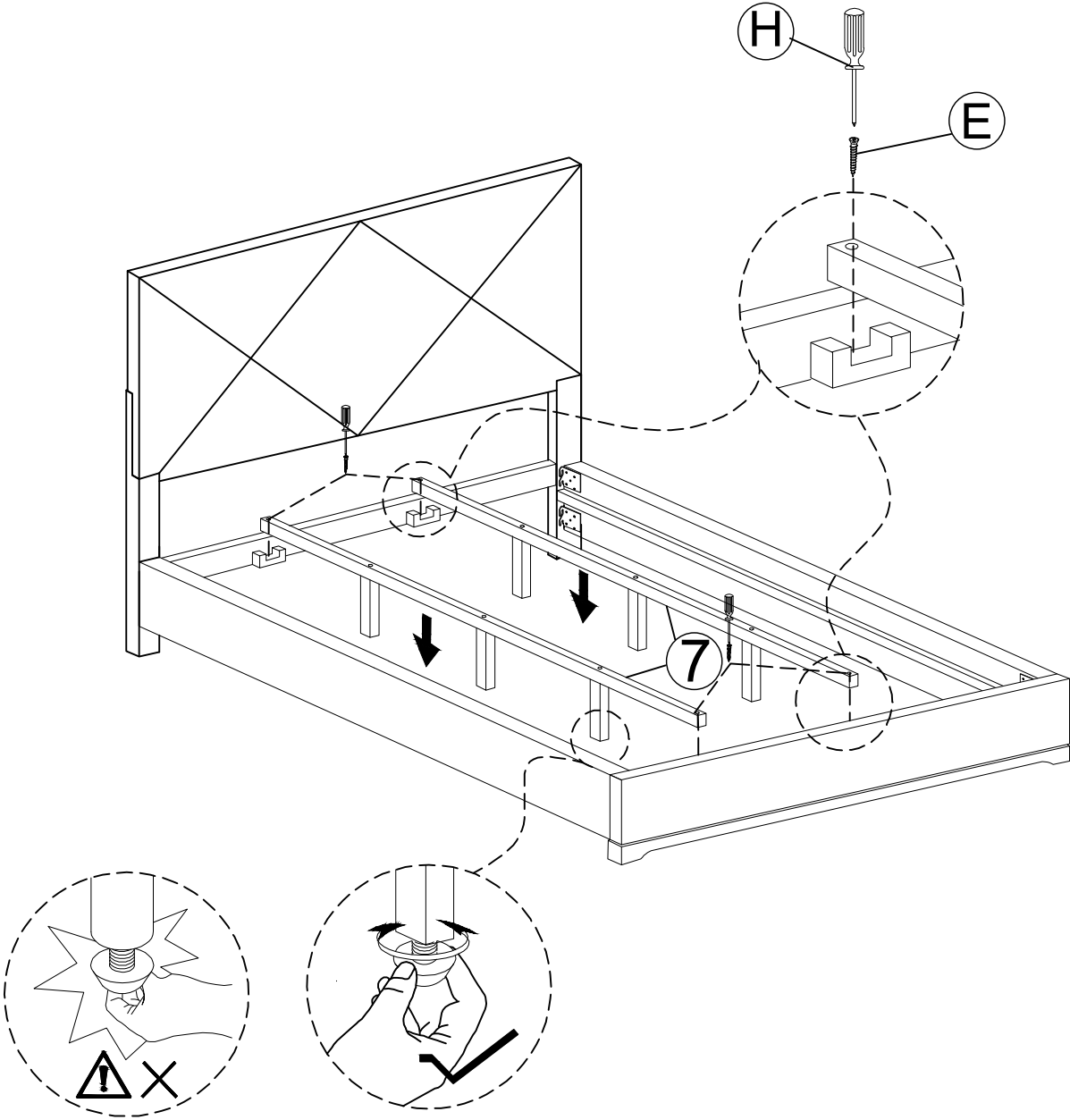
STEP-5

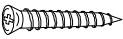


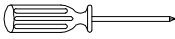
#C	x6	#F	x1
			
M6*60mm		M6	

ASSEMBLY INSTRUCTIONS

STEP-6

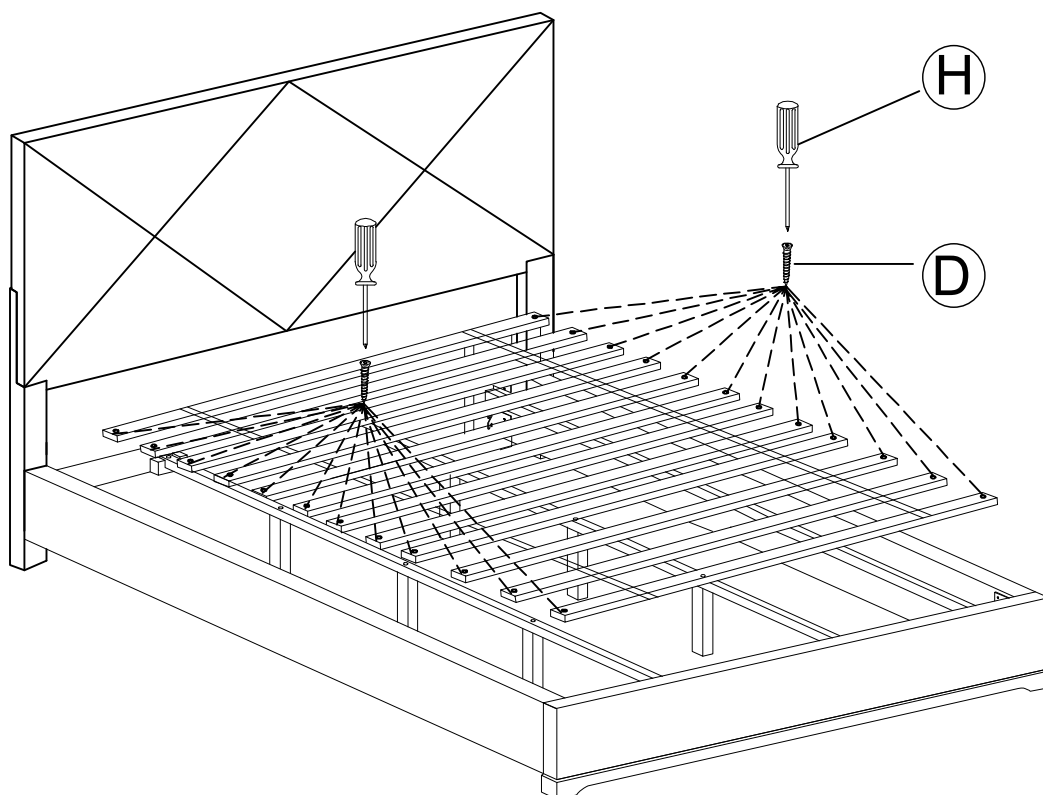



#E	x4
	
60mm	

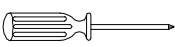
#G	xH
	
Provide for oneself	

ASSEMBLY INSTRUCTIONS

STEP-7



#D	x48
	
35mm	

#G	xH
	
Provide for oneself	

WARRANTY

1. We strive to offer high-quality products, and we also try our best to satisfy each and every customer that orders from us with product or service as needed.
2. We provide 30 days warranty starting from the time you receive the item. Each customer must provide a record of their order such as the order number, or item receipt for any items that are out of the warranty period you may also still receive.
3. Replacement parts by purchasing them with our company if they are available.

For return, please check the return policy with the retailer or market place you bought from.

Appreciate your purchasing from us.
Pop up your life by our furniture piece!