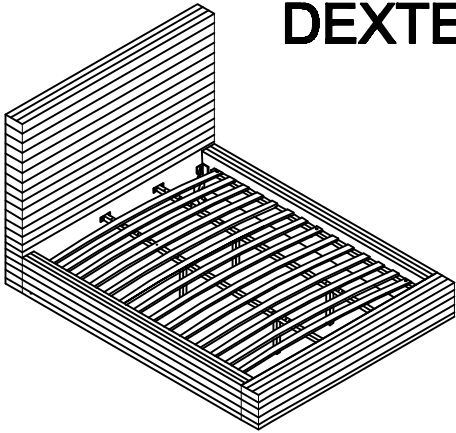


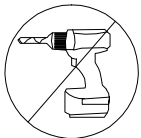
ASSEMBLY INSTRUCTIONS

DEXTER BED - KING

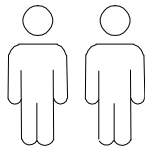
meridian.
furniture



+ Do Not Use
Power Tools



+ Suggested
Adults

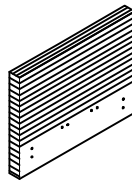


NOTE: For questions about parts or assembly please email support@meridianfurnitureusa.com or call us at 718-758-4455.

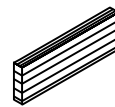
- 1 Read instructions cover to cover.
- 2 Save all packaging until assembly is completed.

+ Parts Included

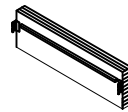
① Head Board
(1pc)



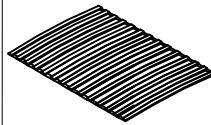
② Foot Board
(1pc)



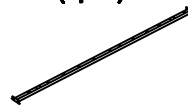
③ Side Rails
(2pcs)



④ Slats joint
(1set=13pcs)



⑤ Center Support
Bar(2pcs)



⑥ Support
Legs(4pcs)



*Slats come packed
in the bottom of
headboard carton.

1 IMPORTANT SAFETY INFORMATION

Do not assemble the product if any of the following parts arrived damaged:

- Part #③ -Side Rails
- Part #④ -Slats joint
- Part #⑤ -Center Support Bar
- Part #⑥ -Support Legs

2 IMPORTANT ASSEMBLY INFORMATION

Assembly Step ② Ensure the side rail bracket is fully hooked onto bolt A loosely threaded with both washers on the OUTSIDE of the bracket first, then proceed to fully tightening all 4 corners.

*Slats come packed in the bottom of headboard carton.

+ Hardware Included

A Bolt M8*30mm
(24pcs)



B Nut M8*13mm
(8pcs)



C Spanner
(1pc)



D Spring Washer
(8pcs)



E Flat Washer
φ20(24pcs)

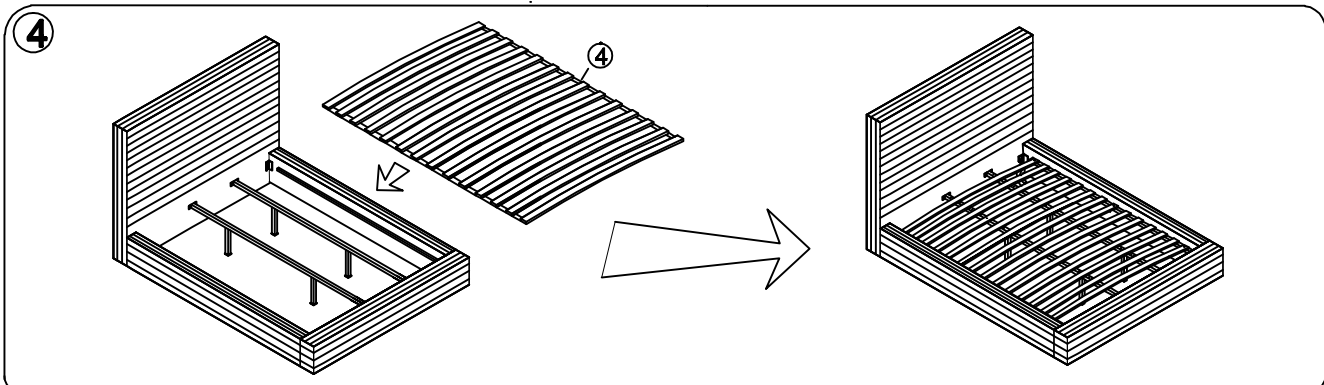
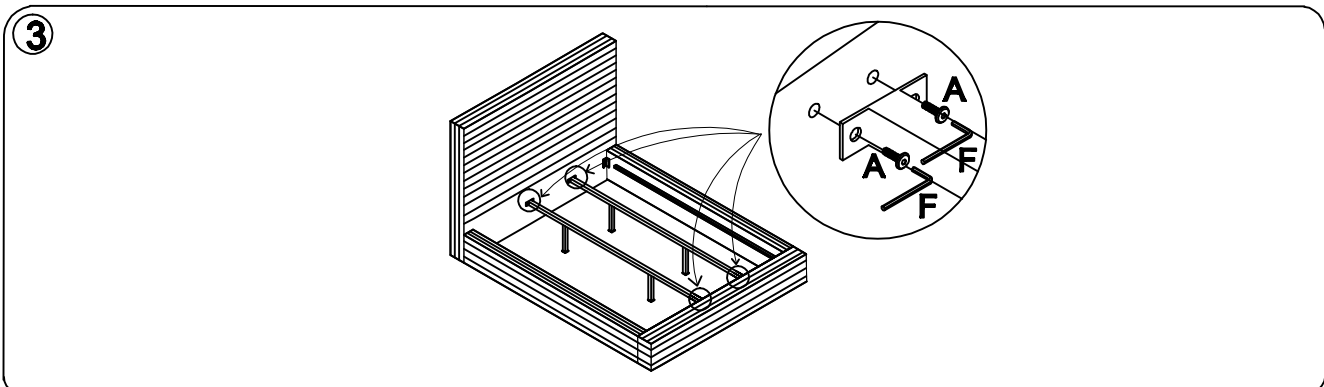
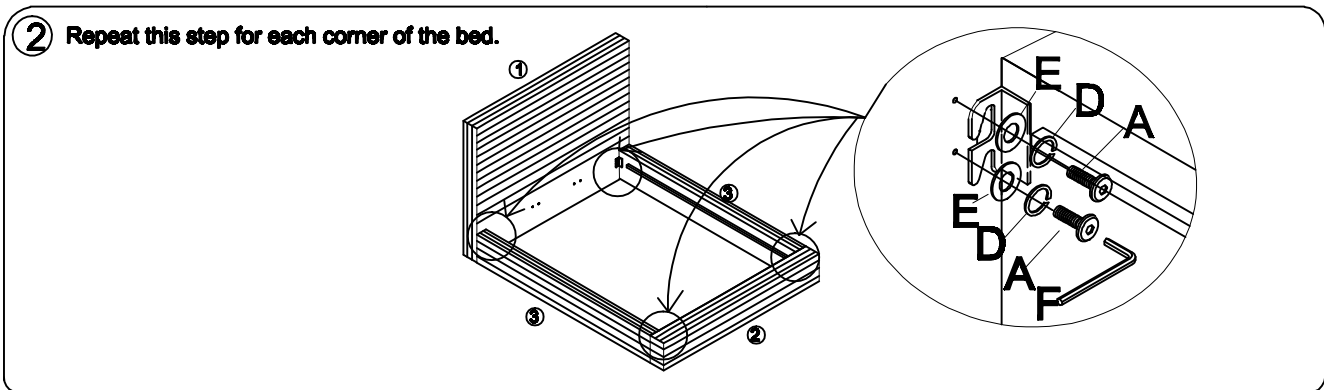
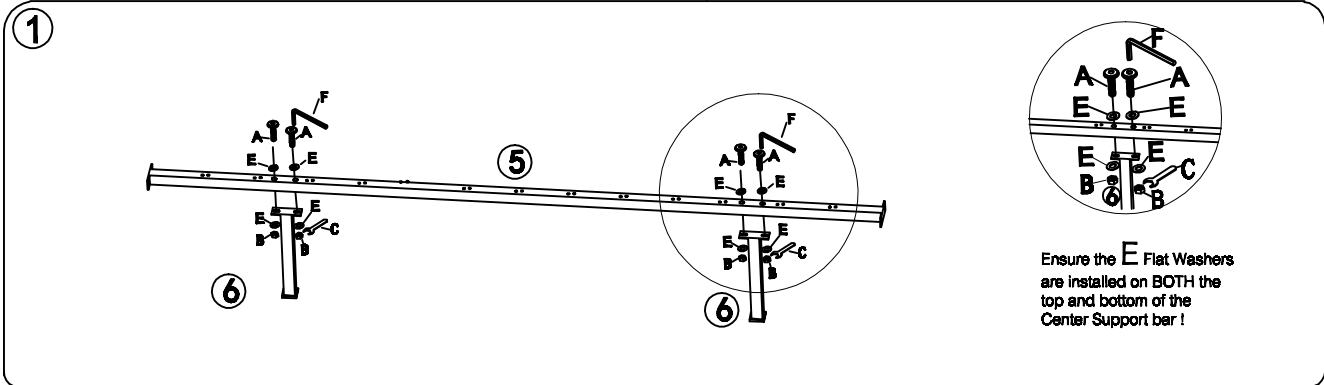


F M8 Allen Key
(1pc)



ASSEMBLY INSTRUCTIONS DEXTER BED - KING

meridian.
furniture



NOTE: For questions about parts or assembly please email support@meridianfurnitureusa.com or call us at 718-758-4455.

www.MeridianFurnitureUSA.com | support@meridianfurnitureusa.com