
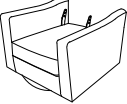

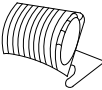


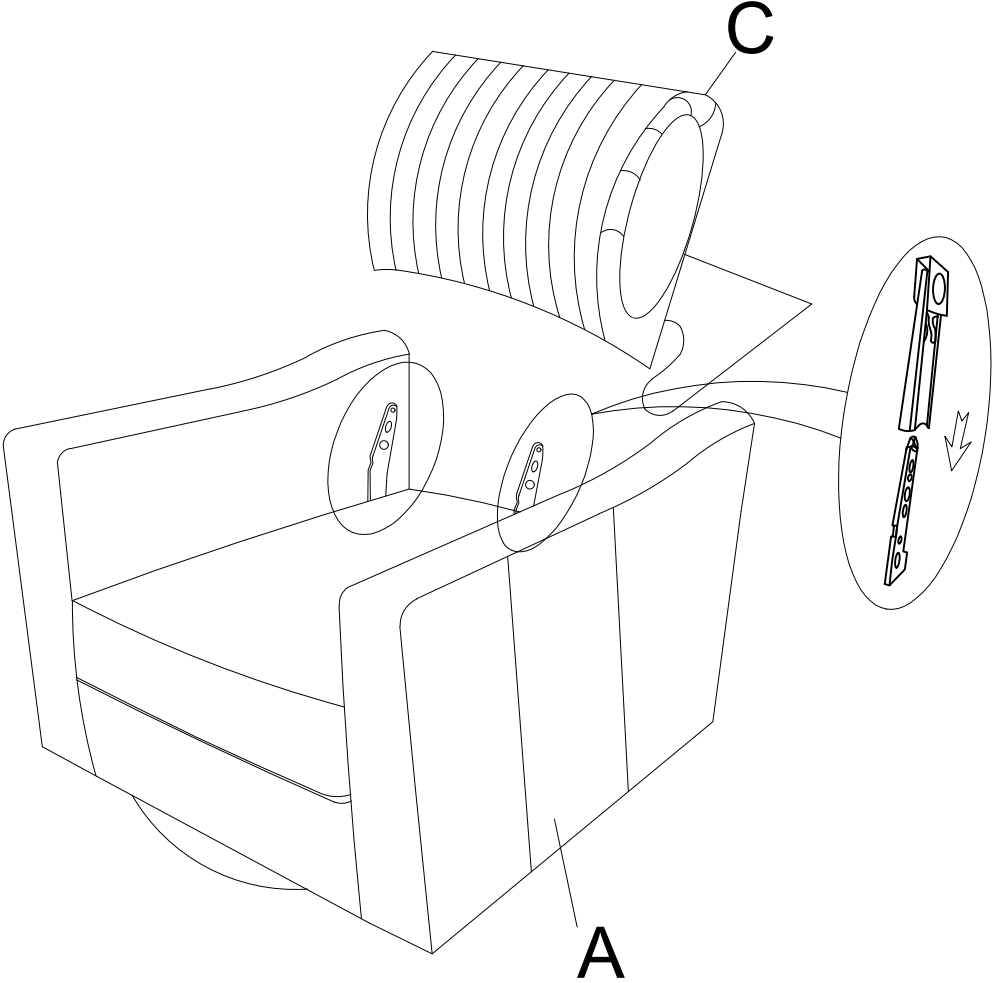
# ASSEMBLY INSTRUCTIONS

## SWIVEL CHAIR

 Note: Do not use power tools for assembly. Power tools increase the risk of over tightening which lead to splitting or cracking the wood.

PART	DRAWING	DESCRIPTION	QTY
A		Seat	1 PC
B		Seat Cushion	1 PC
C		Back Rest	1 PC

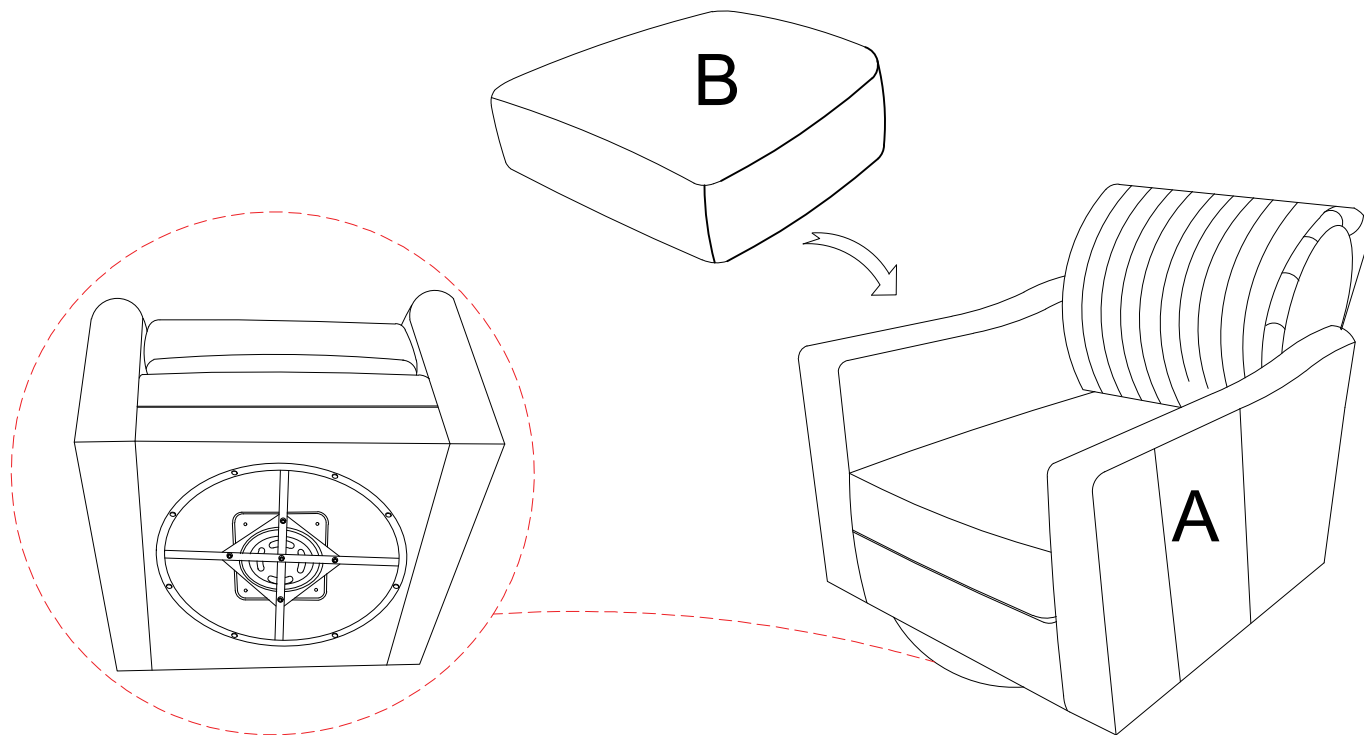
### STEP 1:



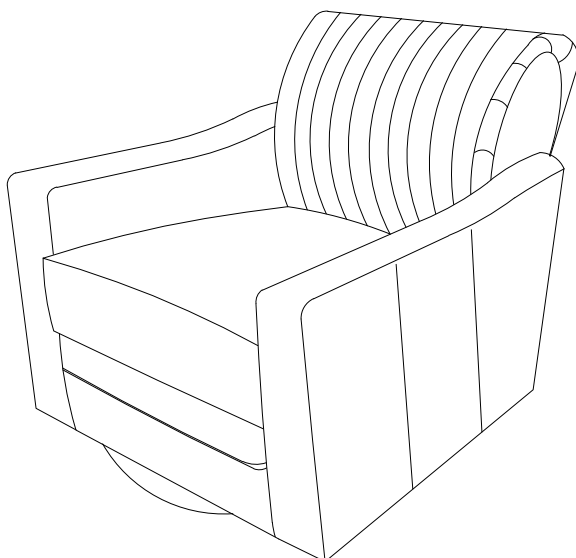
# ASSEMBLY INSTRUCTIONS

## SWIVEL CHAIR

### STEP 2:



### COMPLETE



#### Care Instruction for Breathable Faux Leather Furniture:

In order to maintain the original appearance of your Breathable Faux Leather furniture, please follow below simple care instructions.

- Avoid exposing furniture directly to sunlight or heating and air conditioning outlets.
- Sunlight and or exposure to heating and air conditioning outlets will fade/damage Breathable Faux Leather.
- Vacuum or wipe with a soft cloth to remove dust.
- Hardware may loosen over time. Periodically check to make sure all connection are tight, Re-tighten if necessary



For item use on wooden floor, hard surfaces or carpets, it is recommended to install protective pads under all legs and supports to avoid/prevent from damages/scratches and discoloration.