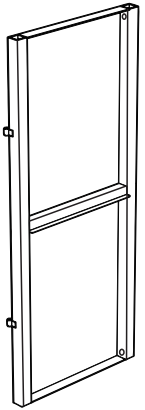
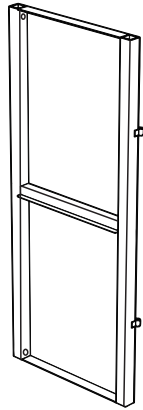


# CABINET

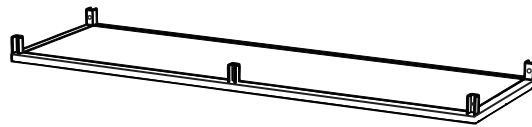
## Part List



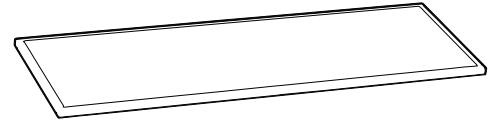
A1x 1



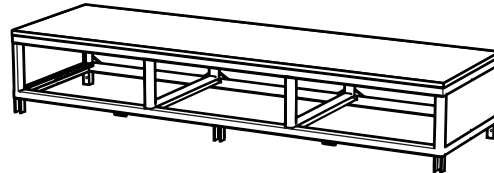
A2x 1



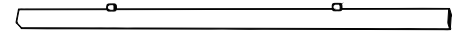
Bx 1



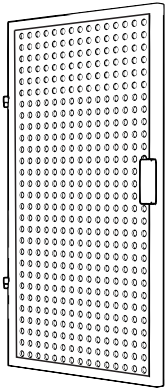
Cx 1



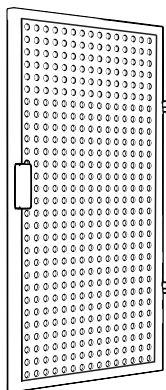
Dx 1



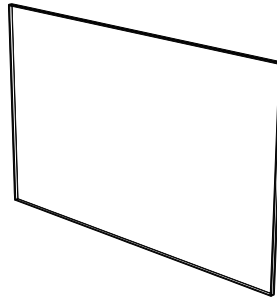
Ex 1



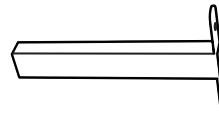
F1x 2



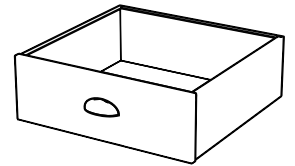
F2x 2



Gx 1



Hx 4



Ix 3



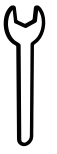
J1x 16



J2x 8



Kx 1



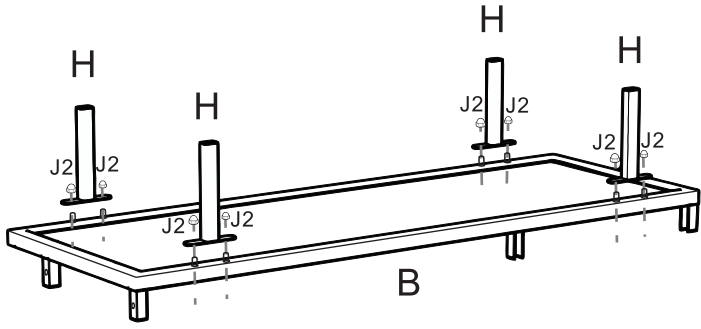
Lx 1

After opening, please check whether the number of accessories is missing

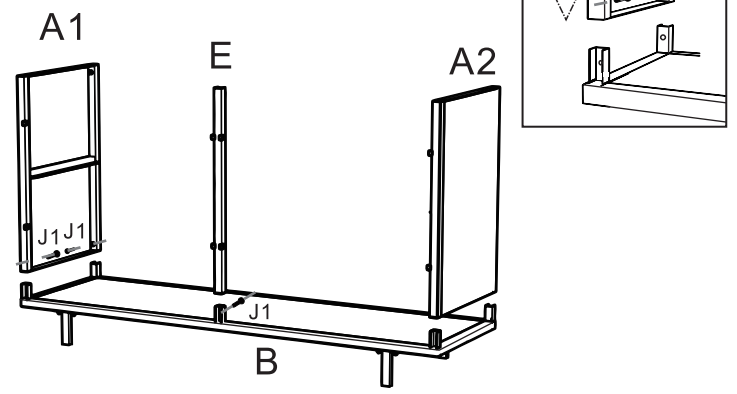
## Attention:

1. Please follow the instructions step by step to make sure all parts of the product match.
2. Please don't over screw or tighten all the screws before assembling complete to avoid jamming during installation.
3. Please make sure part (A1,2 ), part (F1,2 ) are facing at the right direction.
4. In case of missing or damaged part, pelase contact us for replacement.

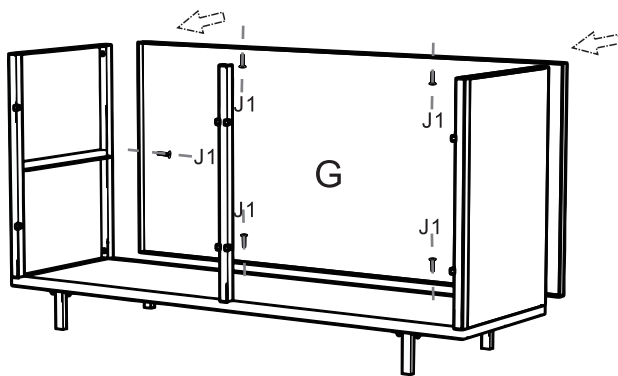
# STEP 1



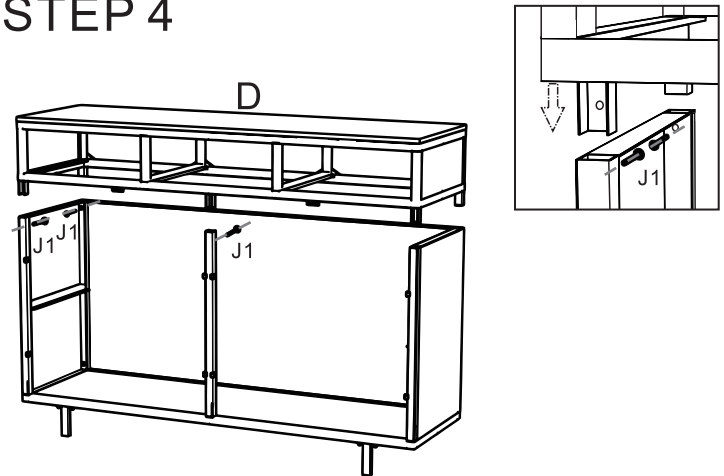
# STEP 2



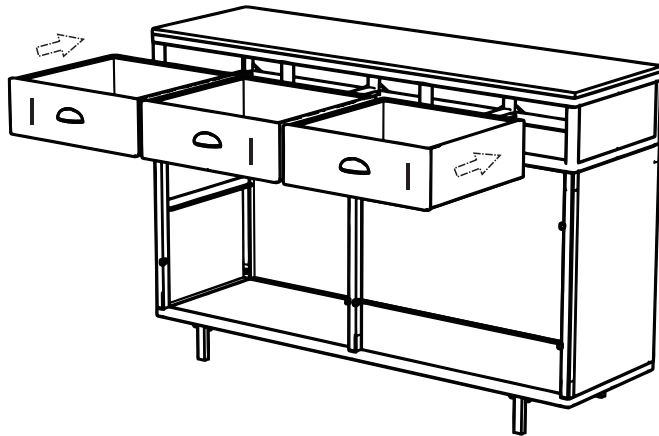
# STEP 3



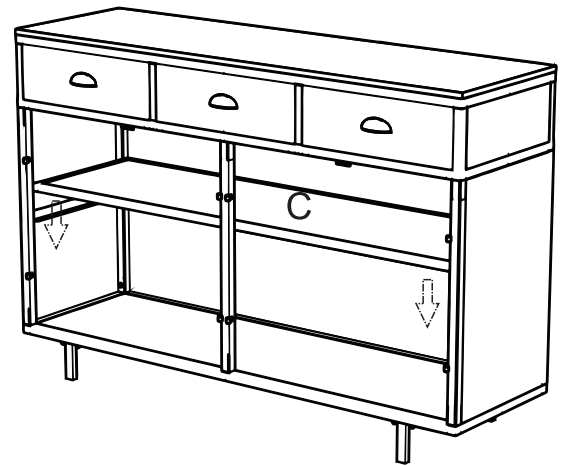
# STEP 4



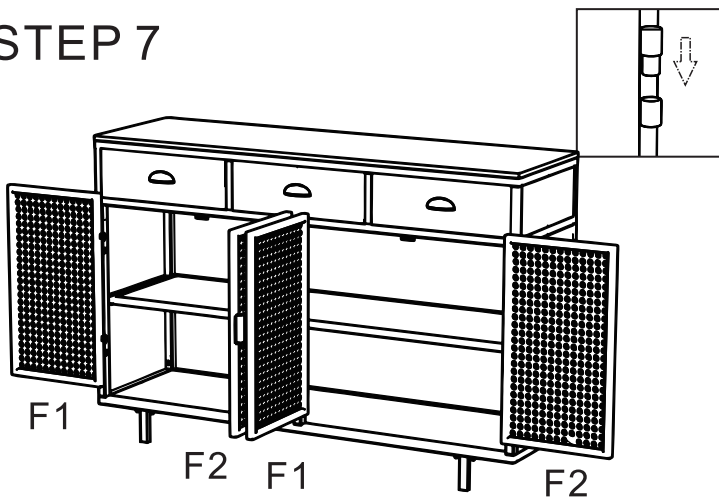
# STEP 5



# STEP 6



# STEP 7



# STEP 8

