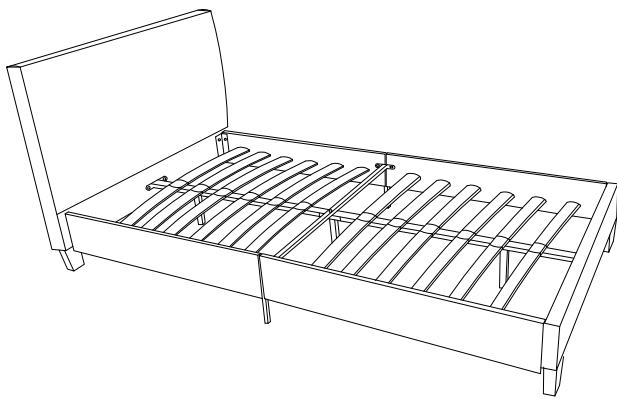


BED



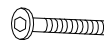





Thank you for purchasing this **BED!**

Before you start, here is some helpful advice:

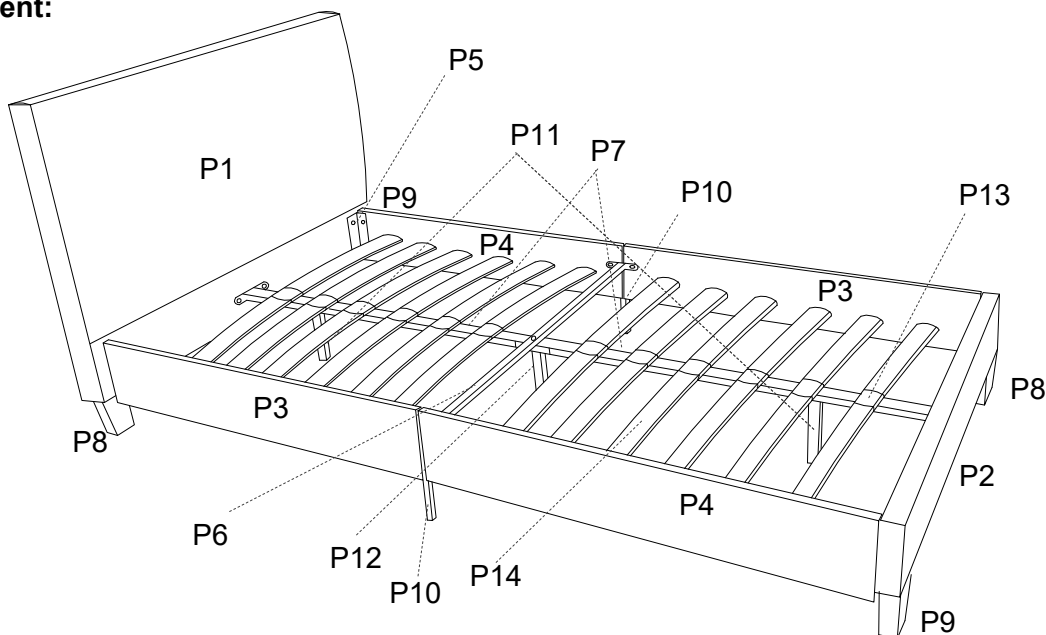
1. We suggest you spend a short time reading through this leaflet and then follow the simple step by step instructions.
2. Owing to the size and weight of the bed, we recommend that it is assembled by two adults, on a carpeted or padded area, in the room that it is intended for. Approx assembly time: 45 minutes.
3. Please do not use any tools other than those provided or recommended in these instructions.
4. Please do not throw away any of the packaging or the instruction until you have checked all the components and hardware and the furniture is fully assembled. Please ensure that the packaging is disposed of in a safe environmentally friendly way.
5. Assemble all components loosely until advised to tighten. Depending on use, it may be necessary to tighten the components from time to time, so please save the tools that has been provided.
6. Please keep all fitting out of reach of children.



Hardware:

A		Bolt M8x20mm	x28
B		Bolt M8x35mm	x12
C		Bolt M8x60mm	x3
D		Spring Washer	x8
E		Flat Washer	x8
F		Nut M8	x6
G		Allen Wrench	x1
H		Open Wrench	x1

Component:



P1 Headboard	x1	P2 Footboard	x1	P3 Side Rail	x2	P4 Side Rail	x2
P5 Metal Corner	x4	P6 Stretcher	x1	P7 Center Rail	x2	P8 Leg	x2
P9 Leg	x2			P10 Short Support Leg	x2	P11 Long Support Leg	x2
P12 Center Support Leg	x1			P13 Plastic Cover	x12	P14 Slat	x24

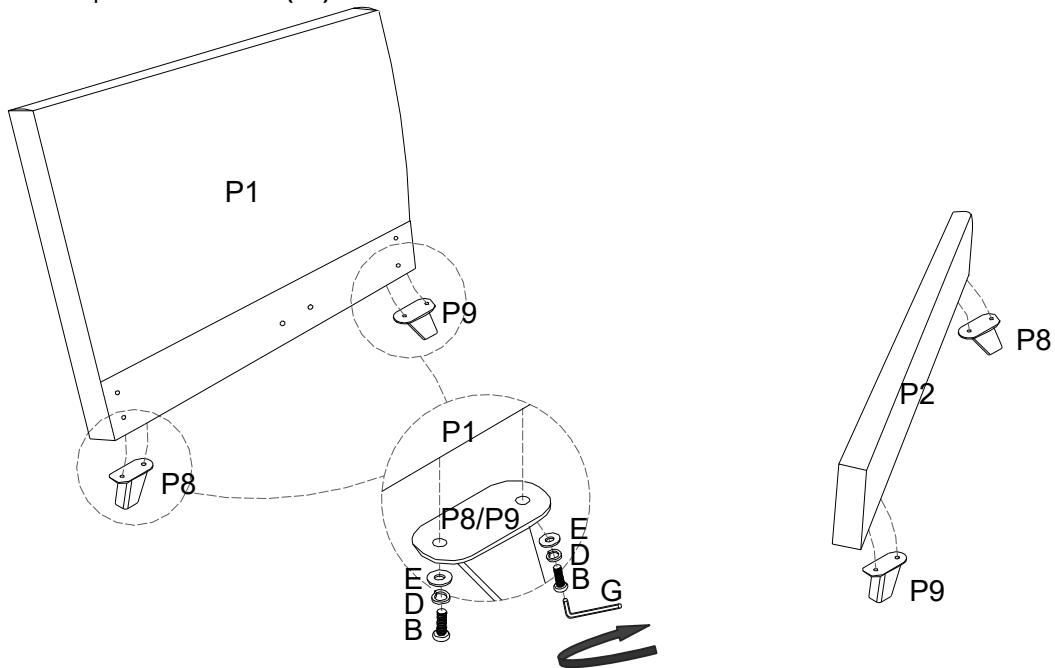
STEP 1:

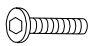



Attach 1 piece of **Leg (P8)** and 1 piece of **Leg (P9)** into **Headboard (P1)** as shown.

Secure by using 4 pieces of **Bolt (B)**, 4 pieces of **Spring Washer (D)** and 4 pieces of **Flat Washer (E)**.

Use **Allen Wrench (G)** to tighten **Bolts (B)** clockwise until secure.

Repeat the same steps for **Footboard (P2)**.



			
Bx8	Dx8	Ex8	Gx1

Hardware & Tool required

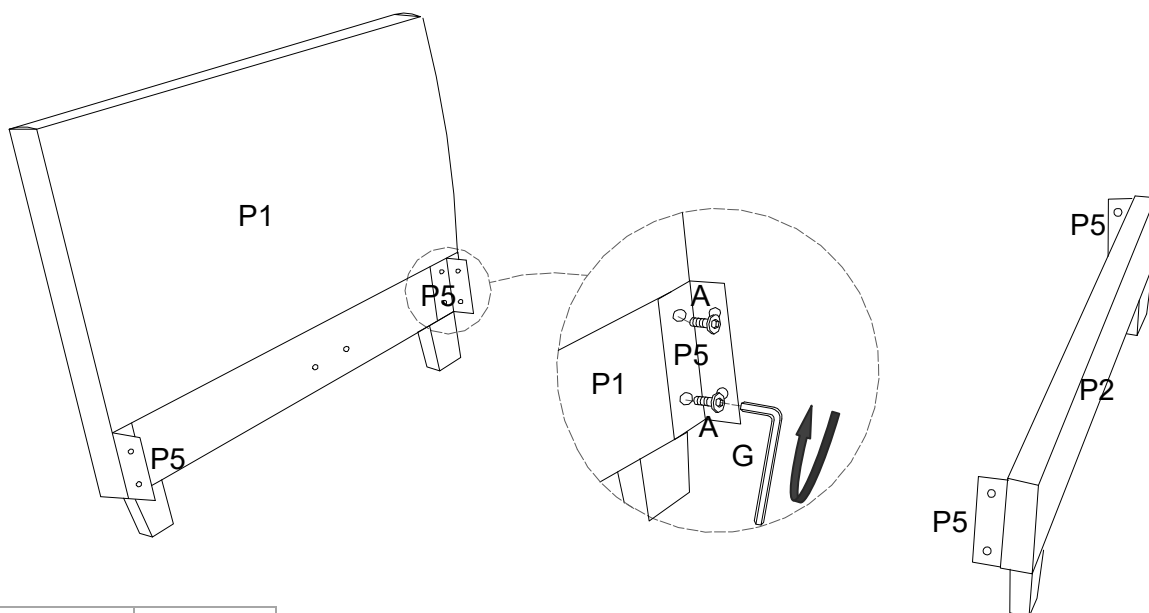
STEP 2:



Attach 2 pieces of **Metal Corner (P5)** into **Headboard (P1)**.

Secure by using 4 pieces of **Bolt (A)** as shown.

Use **Allen Wrench (G)** to tighten **Bolts (A)**, do not fully tighten **Bolts (A)** at this step.

Repeat the same steps for **Footboard (P2)**.



	
Ax8	Gx1

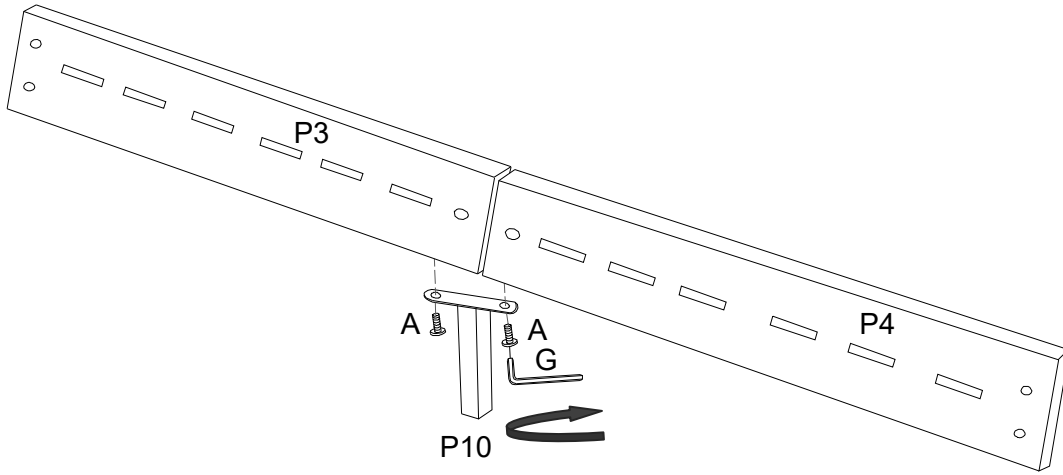
Hardware & Tool required



STEP 3:

Connect 1 piece of **Side Rail (P3)** and 1 piece of **Side Rail (P4)** by using 1 piece of **Short Support Leg (P10)** as shown. Secure by using 2 pieces of **Bolt (A)**.

Use **Allen Wrench (G)** to tighten **Bolts (A)** clockwise until secure.

Repeat the same steps for the remaining **Side Rail (P3&P4)** and **Short Support Leg (P10)**.



	
Ax4	Gx1

Hardware & Tool required

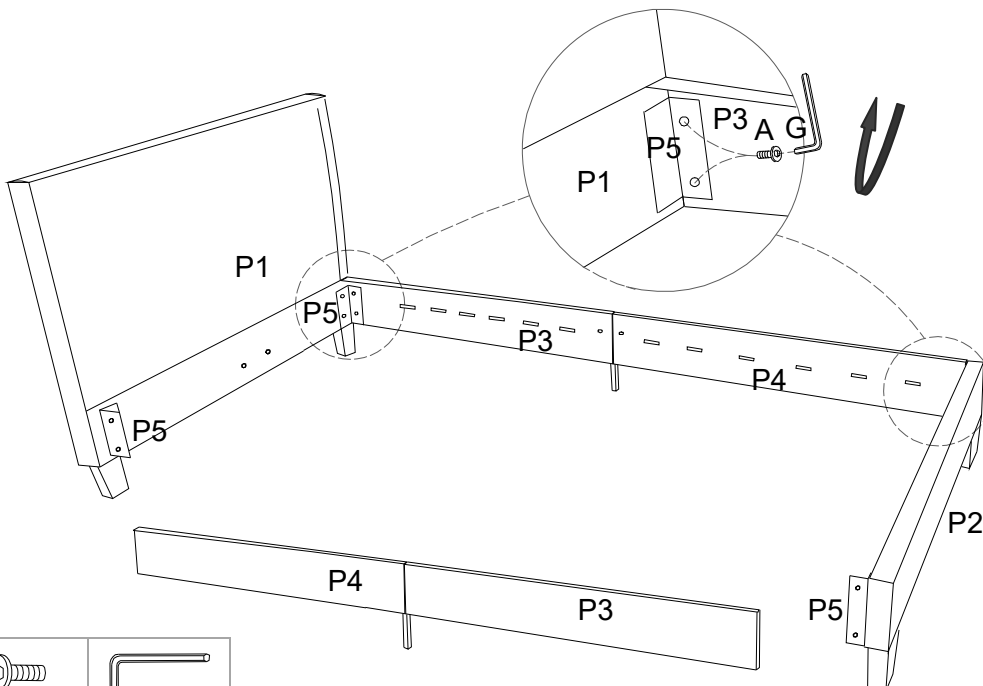
STEP 4:



Attach 1 piece of assembled **Side Rail (P3&P4)** to **Headboard (P1)** and **Footboard (P2)**.

Secure through **Metal Corner (P5)** by using 4 pieces of **Bolt (A)** as shown.

Use **Allen Wrench (G)** to tighten **Bolts (A)**, do not fully tighten **Bolts (A)** at this step.

Repeat the same steps for the remaining assembled **Side Rail (P3&P4)**.



	
Ax8	Jx1

Hardware & Tool required

STEP 5:

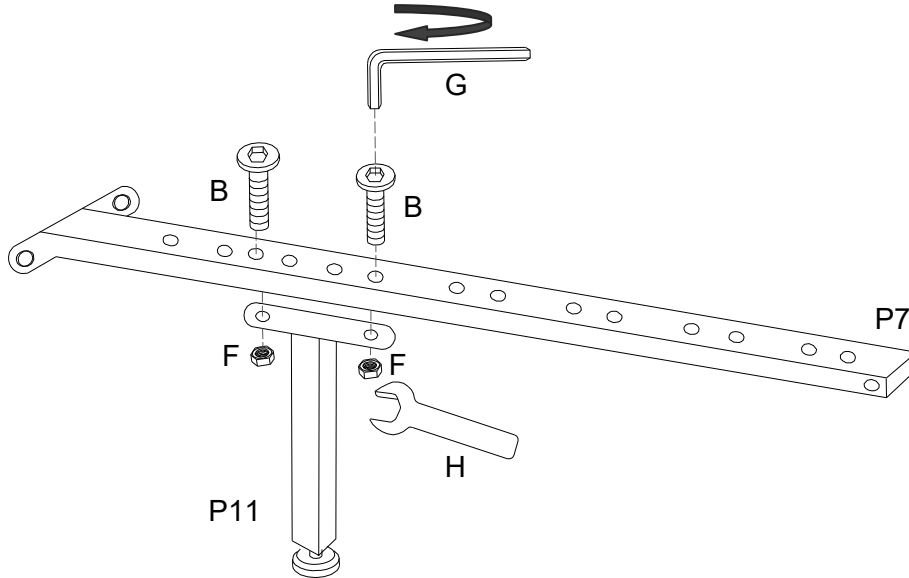
Attach 1 piece of **Long Support Leg (P11)** to 1 piece of **Center Rail (P7)** as shown.

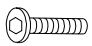



Insert 2 pieces of **Bolt (B)** through the corresponding holes on **Center Rail (P7)** to the holes on **Long Support Leg (P11)**.

Secure by using 2 pieces of **Nut (F)**.

Use **Allen Wrench (G)** and **Open Wrench (H)** to tighten **Bolts (B)** and **Nuts (F)** until secure.

Repeat the same steps for the remaining **Center Rail (P7)** and **Long Support Leg (P11)**.



			
Bx4	Fx4	Gx1	Hx1

Hardware & Tool required

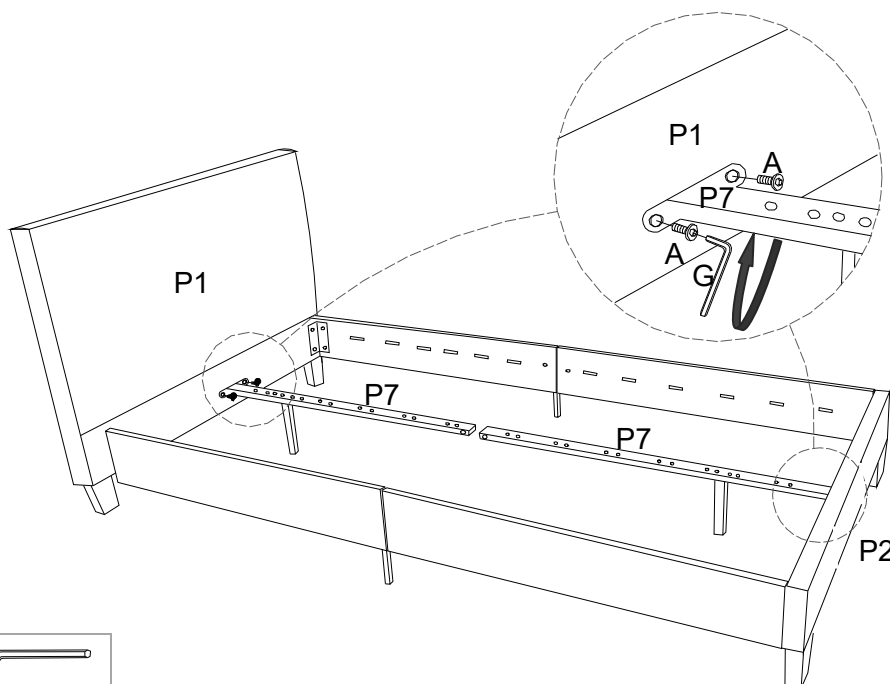
STEP 6:



Attach 1 piece of assembled **Center Rail (P7)** to **Headboard (P1)**.

Secure by using 2 pieces of **Bolt (A)** as shown.

Use **Allen Wrench (G)** to tighten **Bolts (A)**, do not fully tighten **Bolts (A)** at this step.

Repeat the same steps for the remaining assembled **Center Rail (P7)** to **Footboard (P2)**.



	
Ax4	Gx1

Hardware & Tool required

BED

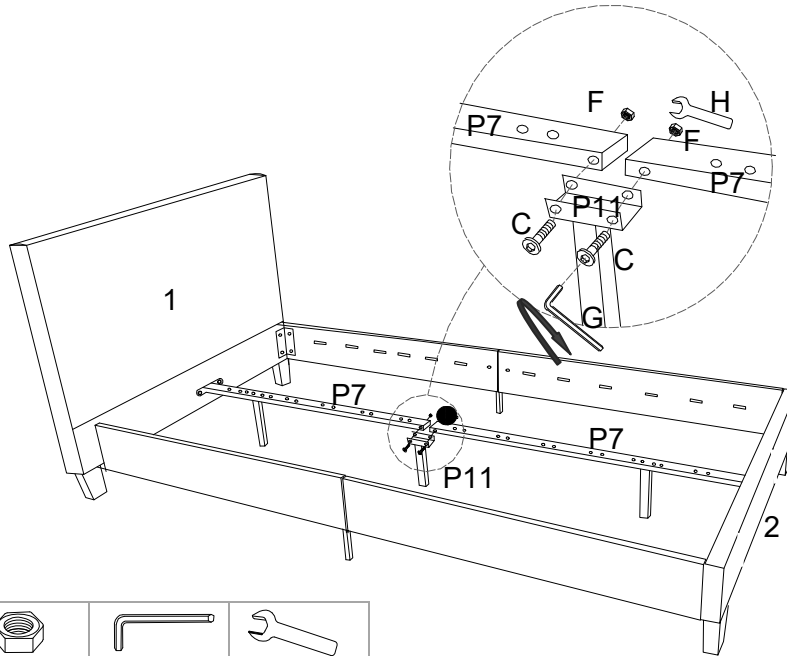
STEP 7:

Attach **Center Support Leg (P11)** to each end of **Center Rail (P7)** as shown.

Insert 2 pieces of **Bolt (C)** from the holes on one side of **Center Support Leg (P11)** through the corresponding holes on each **Center Rail (P7)** to the holes on the other side of **Center Support Leg (P11)**.

Secure by using 2 pieces of **Nut (F)**.

Use **Allen Wrench (G)** and **Open Wrench (H)** to tighten **Bolts (C)** and **Nuts (F)** until secure.



Cx2	Fx2	Gx1	Fx1

Hardware & Tool required

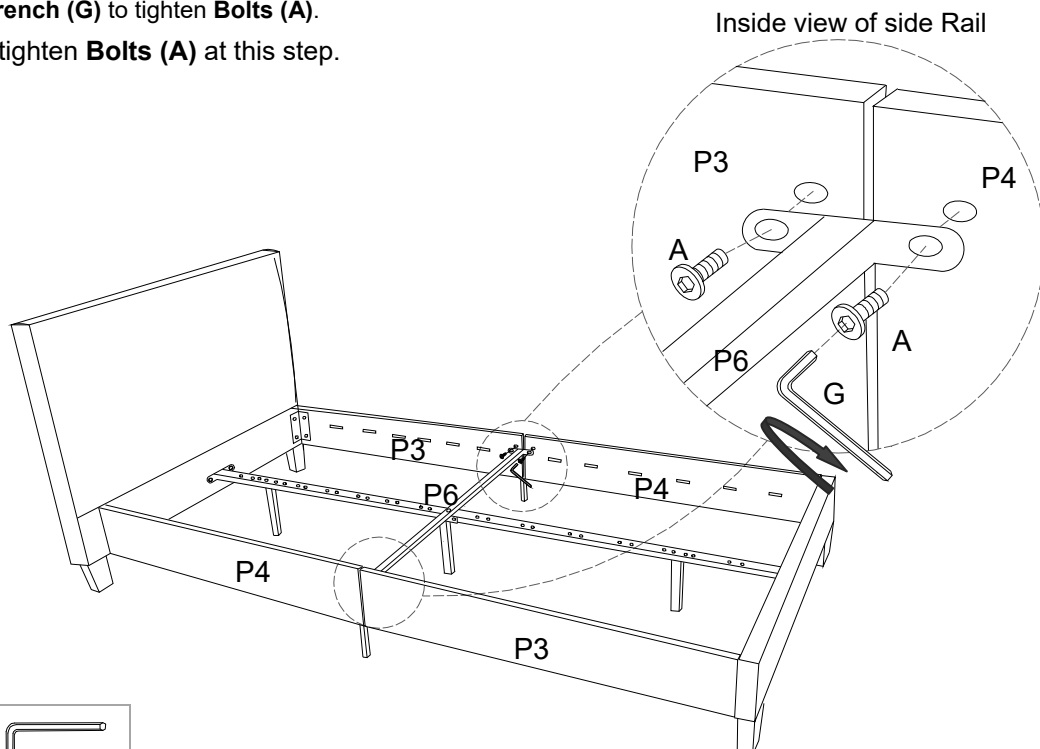
STEP 8:

Attach each end of **Stretcher (P6)** to the assembled **Side Rail (P3&P4)**.

Secure by using 4 pieces of **Bolt (A)** as shown.

Use **Allen Wrench (G)** to tighten **Bolts (A)**.

Do not fully tighten **Bolts (A)** at this step.



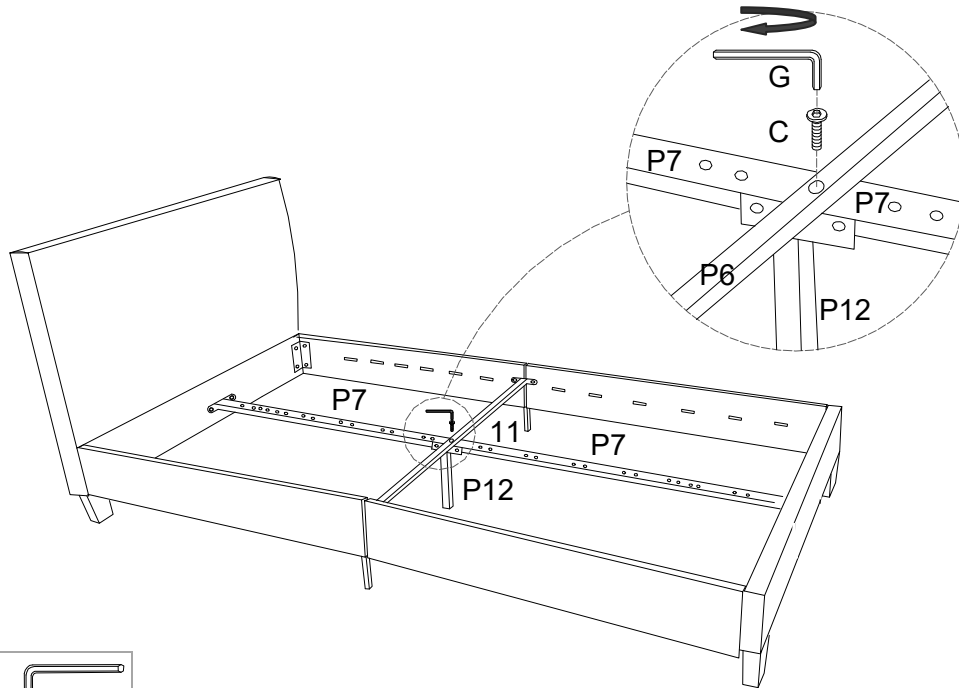
Ax4	Gx1

Hardware & Tool required

BED

STEP 9:

Insert 1 piece of **Bolt (C)** through the holes on **Stretcher (P6)** into the holes on **Center Support Leg (P12)**.
Use **Allen Wrench (G)** to tighten **Bolts (C)**, do not fully tighten **Bolts (C)** at this step.

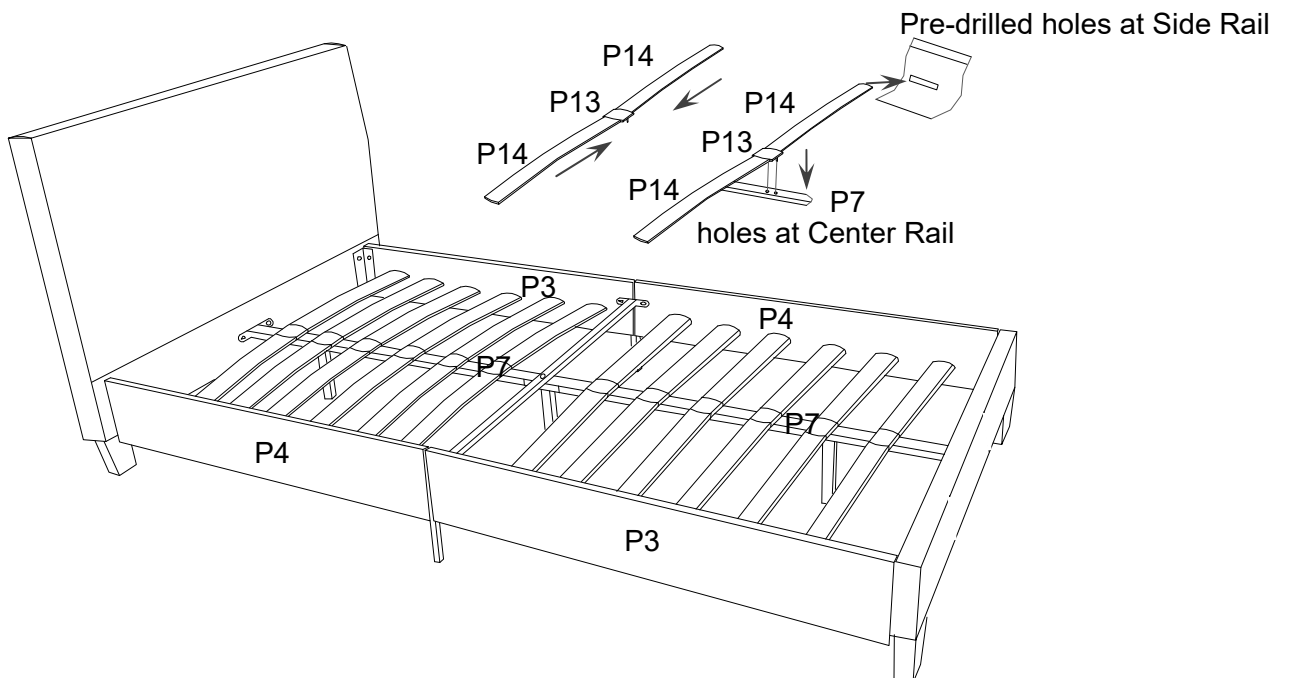


Cx1	Gx1

Hardware & Tool required

STEP 10:

Insert 2 pieces of **Slat (P14)** into 1 piece of **Plastic Cover (P13)** as shown.
Insert the other end of the same **Slats (P14)** into the corresponding pre-drilled holes at each **Side Rail (P3&P4)** as shown.
Then insert the assembled **Plastic Cover (P13)** into the corresponding holes at **Center Rail (P7)**.
Repeat the same steps for the remaining **Slats (P14)**.
After checking all the connections, use **Allen Wrench (G)** to tighten all **Bolts (A&B&C)** clockwise until secure.



Assembly is complete. Your bed is ready to be enjoyed now!

Gx1

Hardware & Tool required