








# INSTALLATION MANUAL



## Before You Start

-  Please read all instructions carefully.
-  Retain instructions for future reference.
-  Separate and count all parts and hardware.
-  Read through each step carefully and follow the proper order.
-  We recommend that, where possible, all items are assembled near to the area in which they will be placed in use, to avoid moving the product unnecessarily once assembled.
-  Always place the product on a flat, steady and stable surface.
-  Keep all small parts and packaging materials for this product away from babies and children as they potentially pose a serious choking hazard.

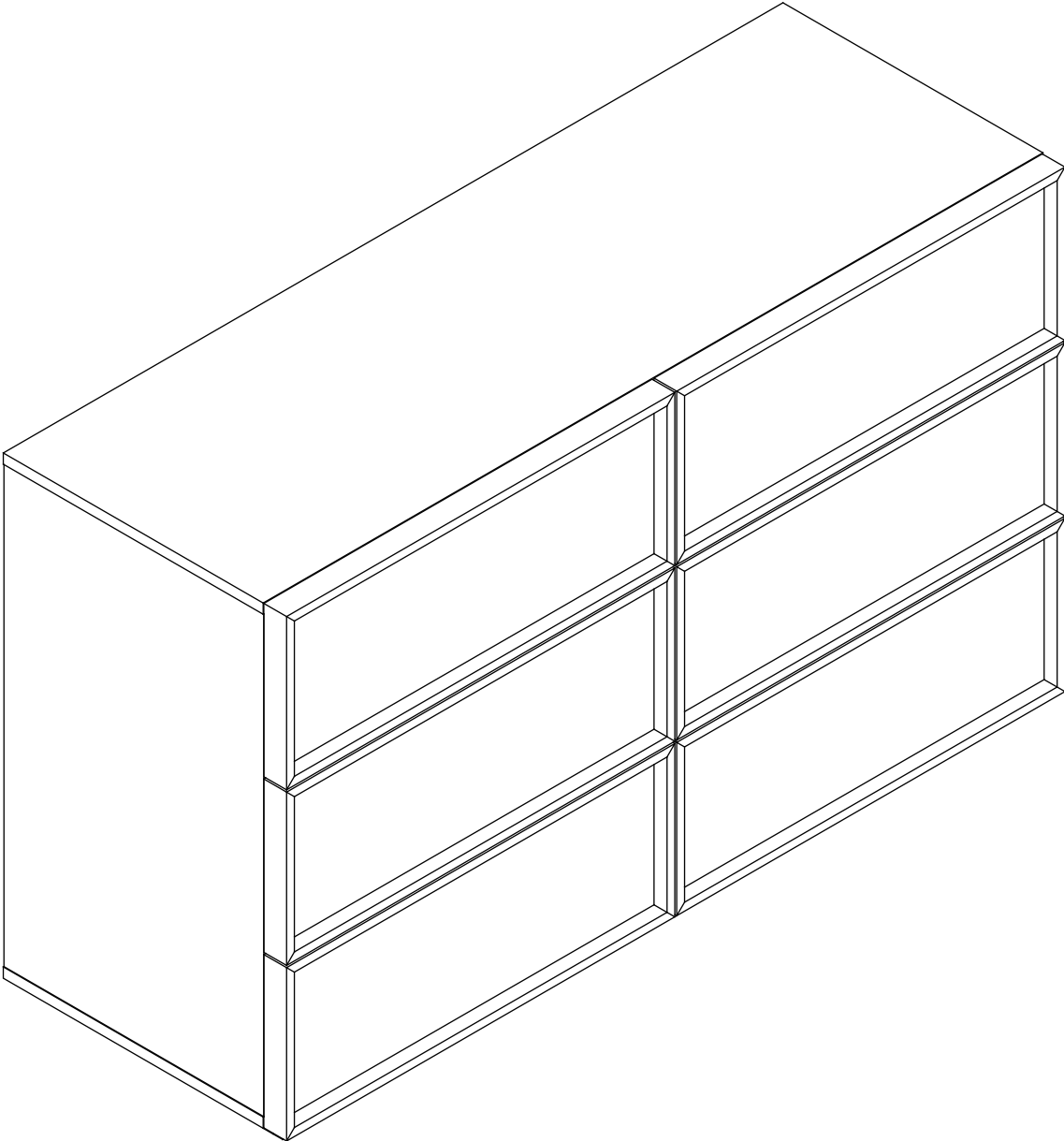
## Assembly Instructions

We have designed our furniture with you, the customer in mind. Our clear, easy to follow step by step instructions will guide you through the project from start to finish. Feel confident that this will be a fun and rewarding project. The final product will be a quality piece of furniture that will go together smoothly and give years of enjoyment.

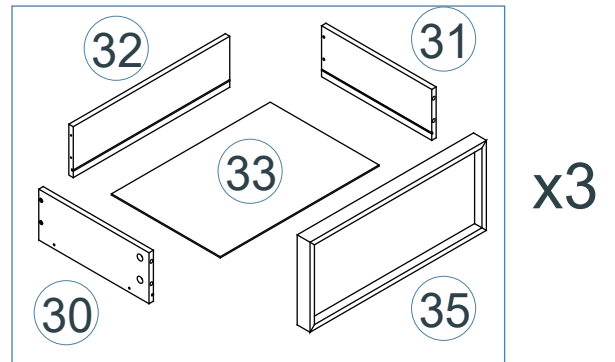
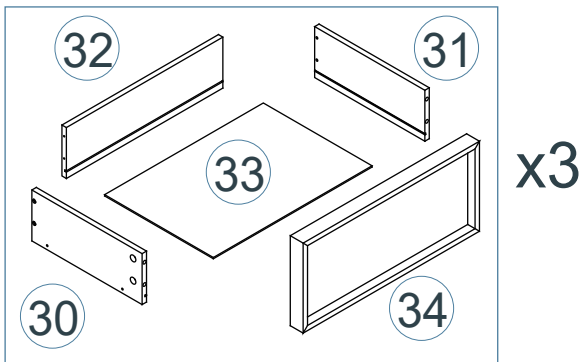
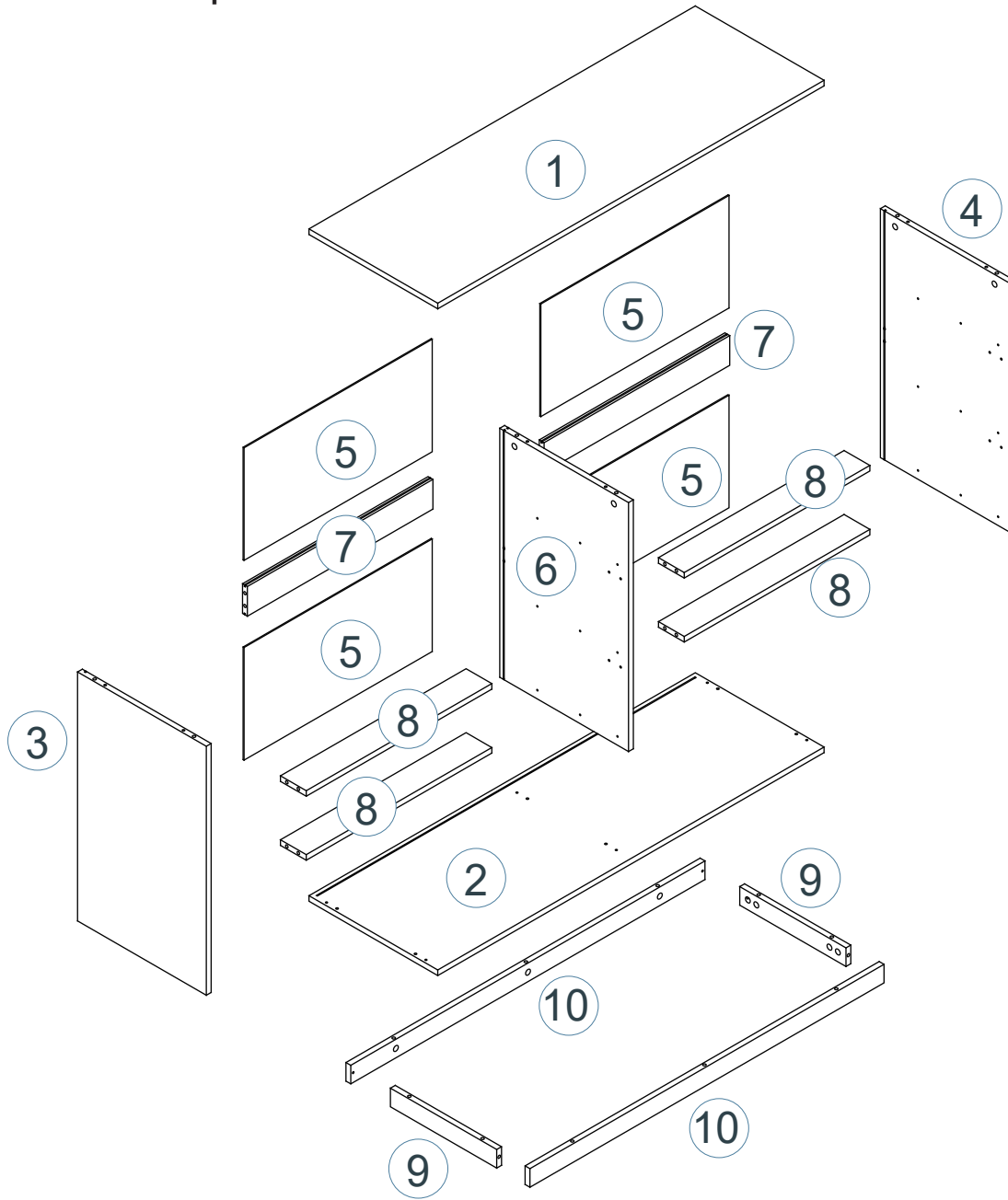


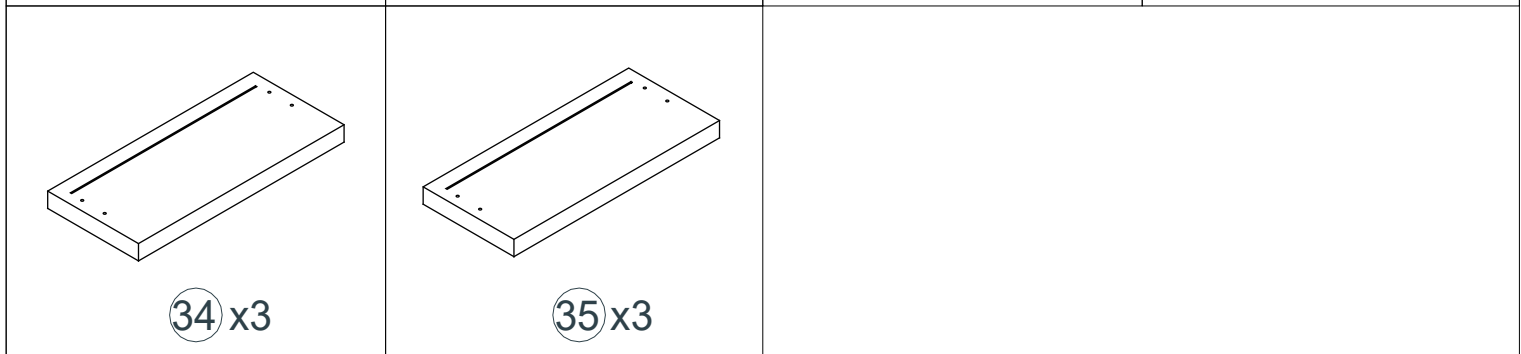
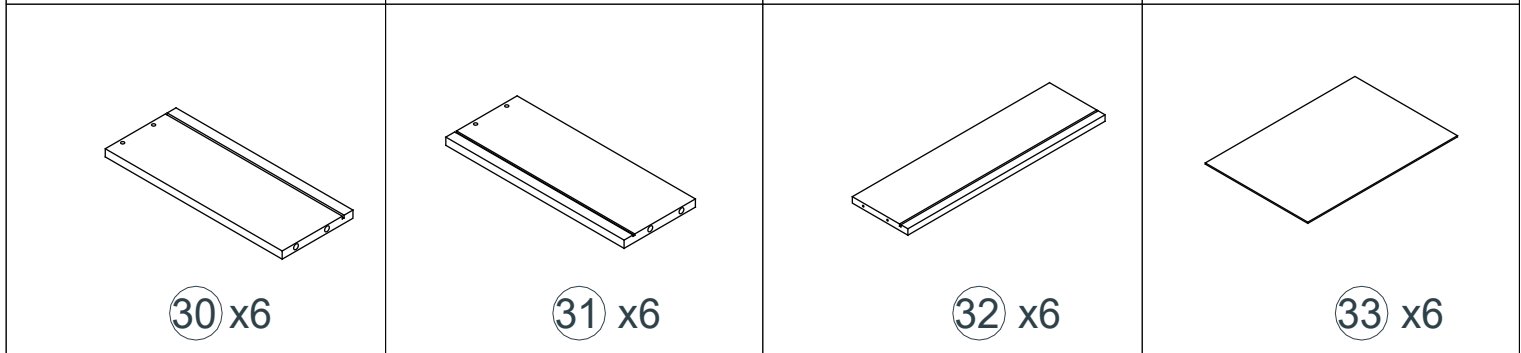
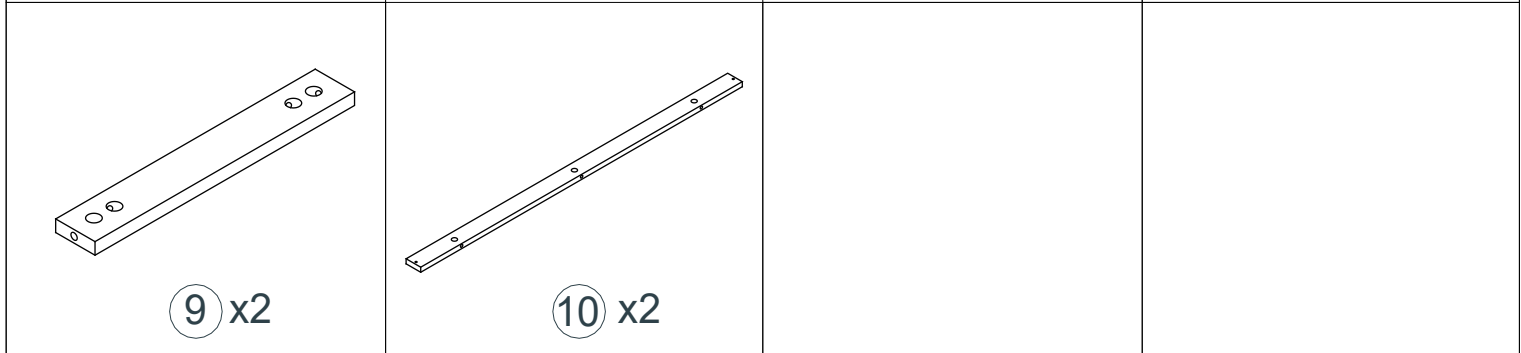
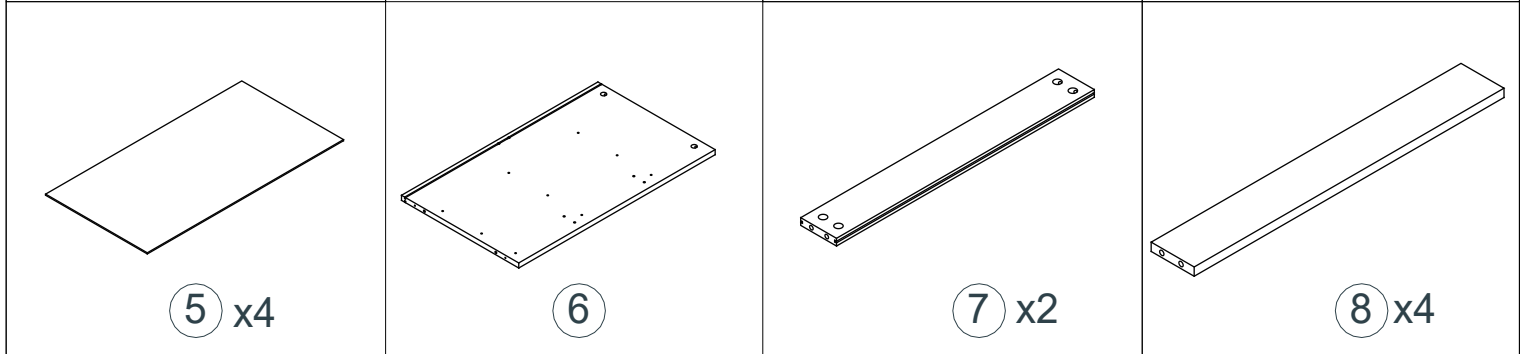
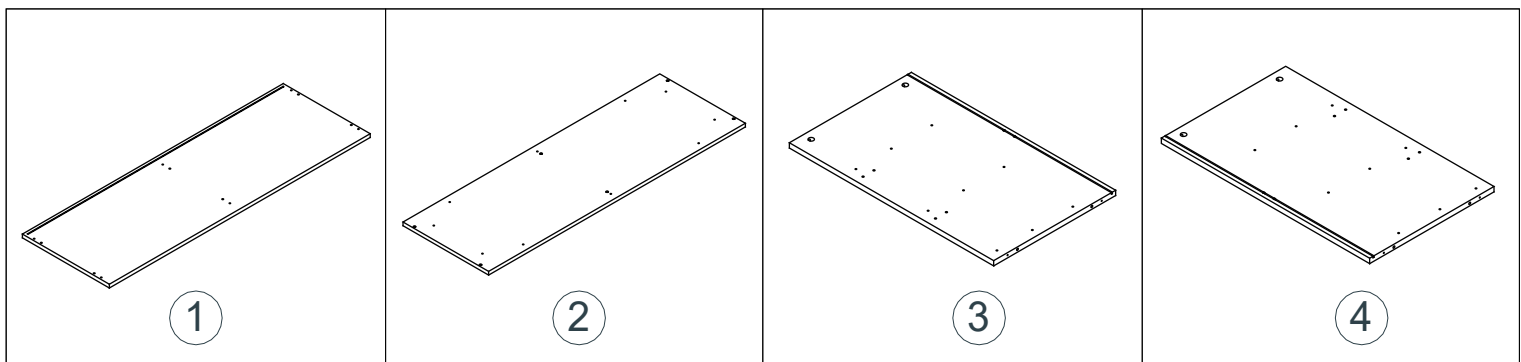
Please do not return to the store  
Broken or missing Hardware?  
Need help with Assembly?

# Completed Assembly

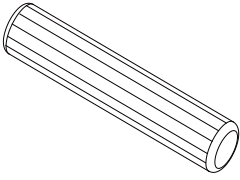


# Parts Description





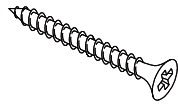
A



8 X 30mm Dowel

12pcs

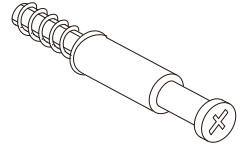
B



4 x 35mm Screw

6pcs

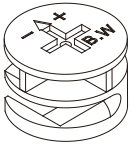
C



Bolt

68pcs

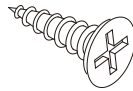
D



Locking Nut

68pcs

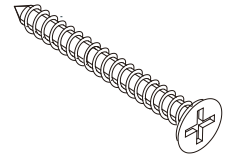
E



3 x 12mm Screw

60pcs

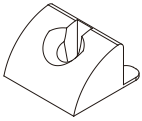
F



4 x 30mm Long Screw

24pcs

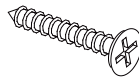
G



Wedge

8pcs

H



3 x 14mm Screw

8pcs

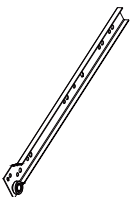
I



Plastic Glide

6pcs

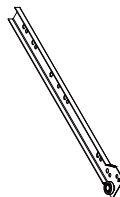
CL



Slide Rail

6pcs

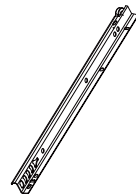
CR



Slide Rail

6pcs

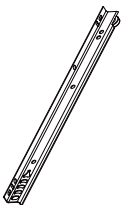
DL



Slide Rail

6pcs

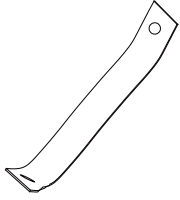
DR



Slide Rail

6pcs

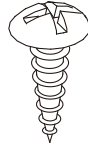
V



Safety Strap

1pc

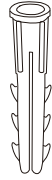
W



Screw

1pc

X



Wall Anchor

1pc

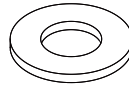
Y



Wall Screw

1pc

Z



Washer

2pcs



Note: Please do not use any power tools. Use of power tools may cause damage and void manufacture warranty.

## Instructions For Fastening Cam Bolt and Cam Lock



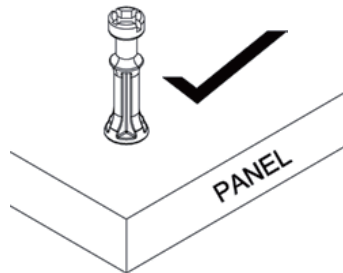
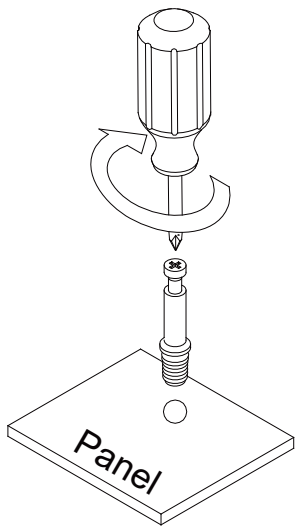
CAM BOLT



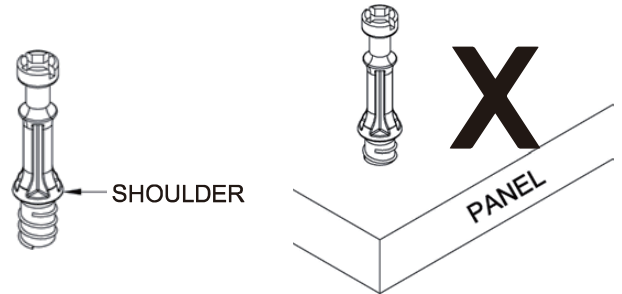
CAM LOCK

### Cam Bolt

Place Cam Bolt on the designated pre-drilled hole on the panel. Use a Phillips Screwdriver to screw in Cam Bolt vertically until shoulder is snug and flushed with panel. Do not over-tighten or under-tighten Cam-bolt. See illustrations below.

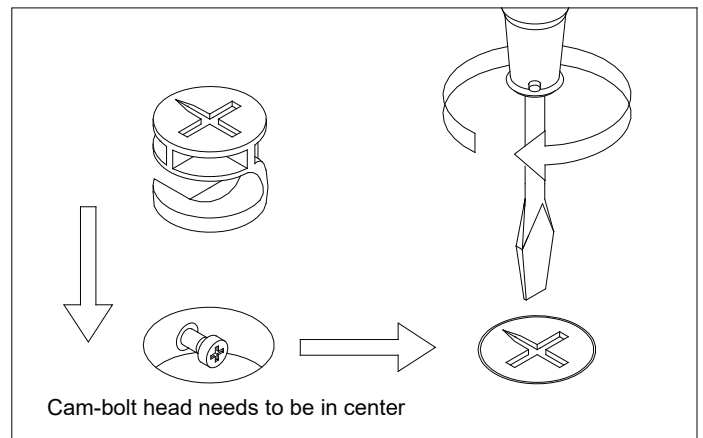
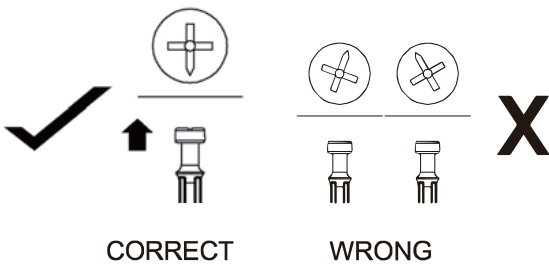


Shoulder is flushed (on the same level) with the panel.



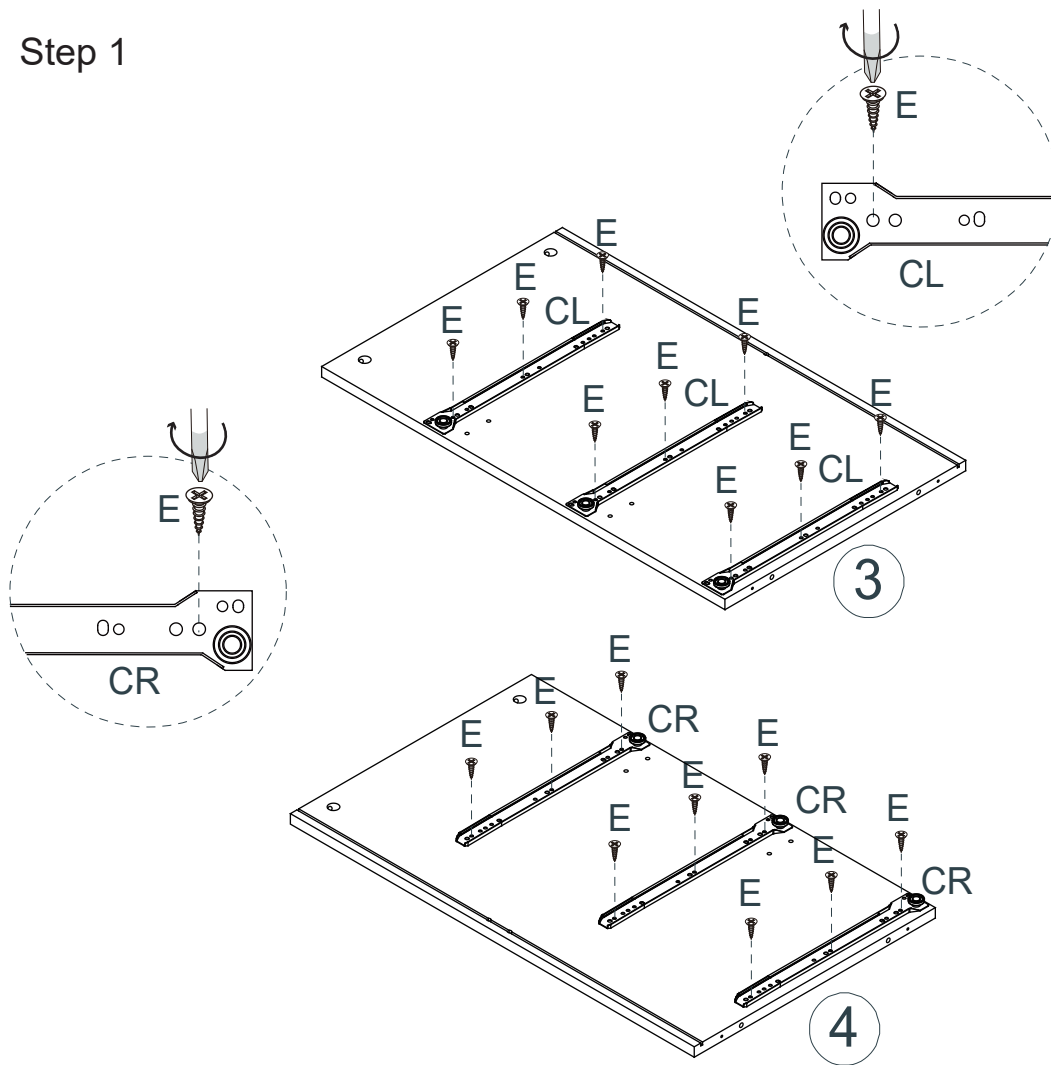
Shoulder is above the panel.




**CAM-LOCK**  
Align the arrow on the Cam-lock to the Cam-bolt head and insert the Cam-lock.



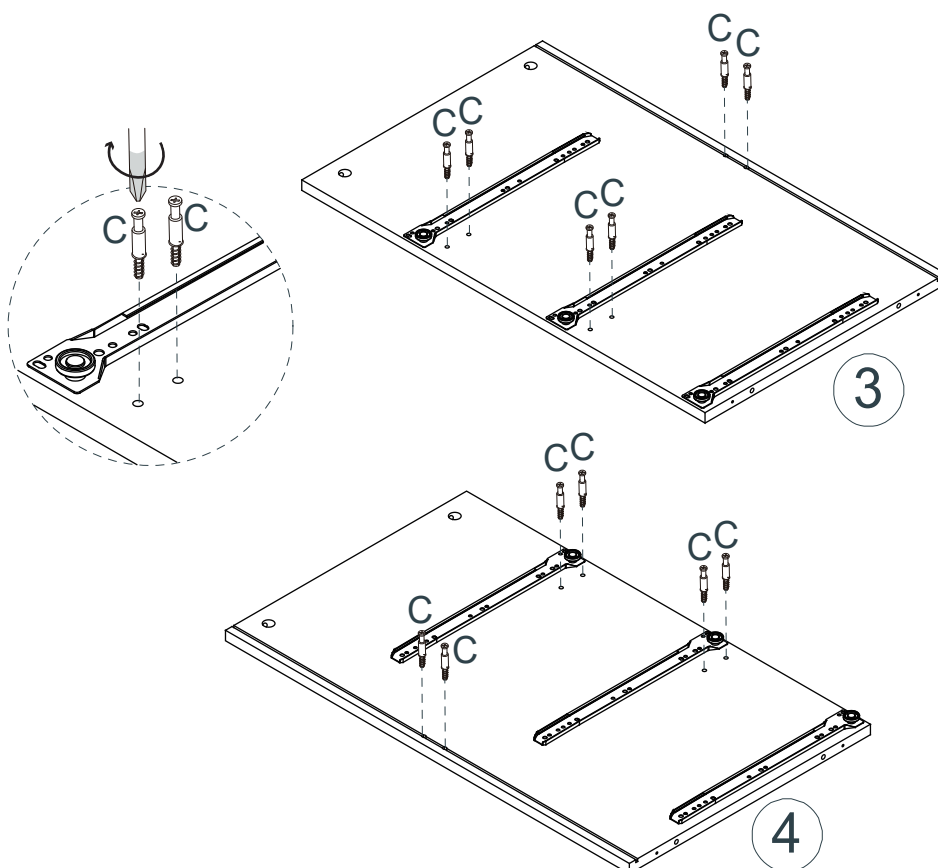
Use a Flat-head Screwdriver to turn Cam Lock clockwise to lock onto the head of the Cam Bolt. Turn until it is snug (about a half turn) – over-tightening could damage Cam Lock and/or Cam Bolt.


## Step 1



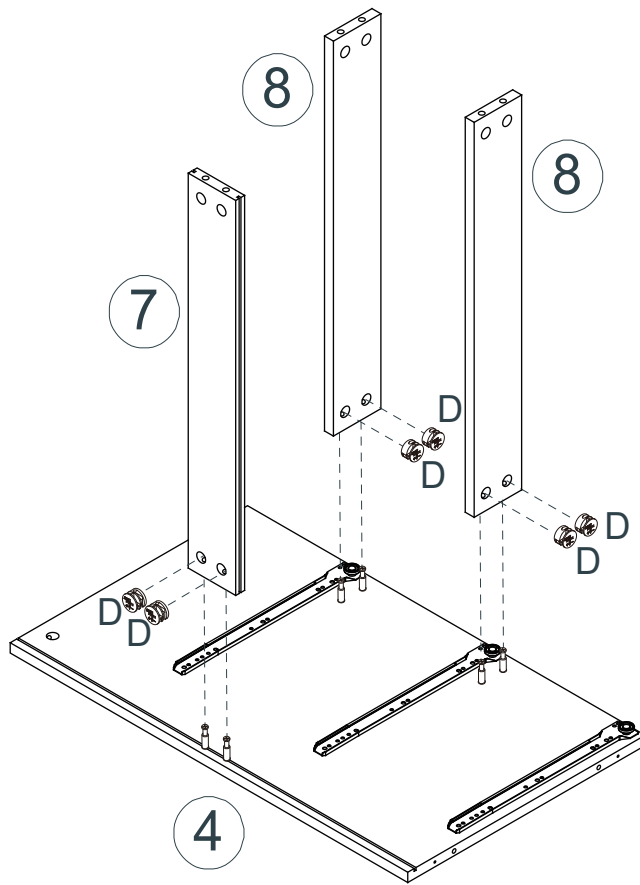
Hardware Needed		
E		X18
CL		X3
CR		X3


## Step 2

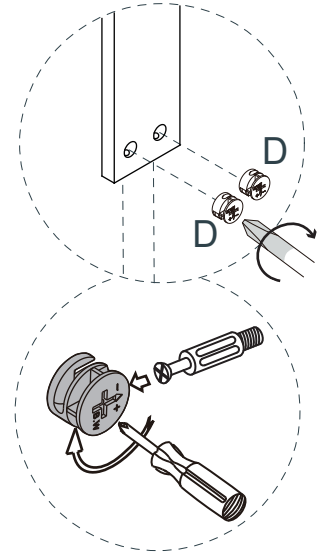


Hardware Needed		
C		X12

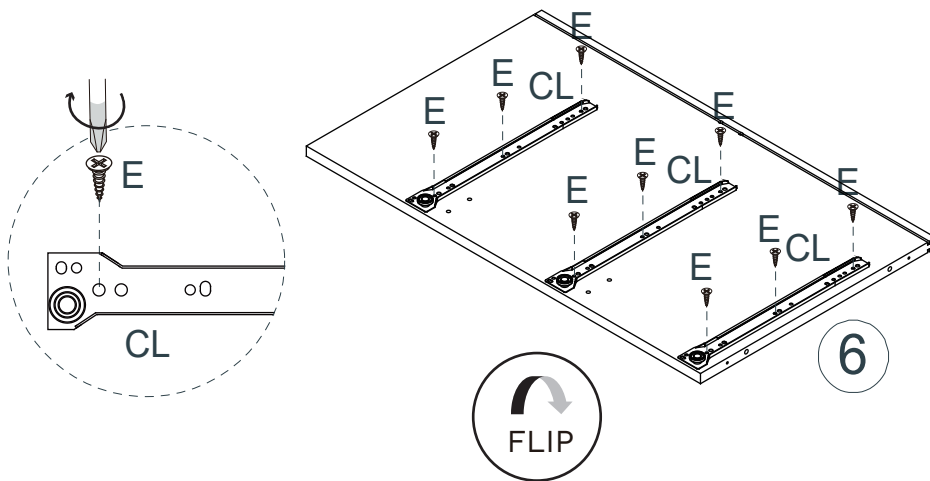
### Step 3






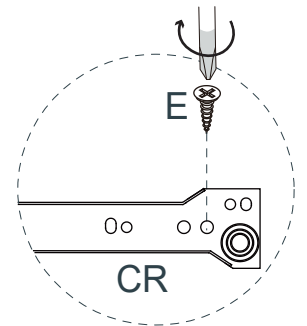
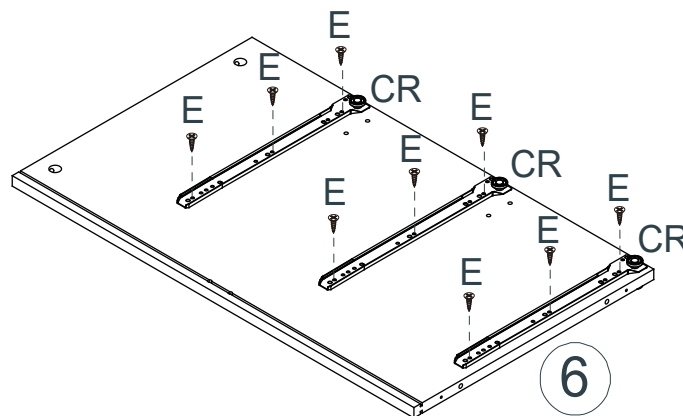
Hardware Needed		
D		X6



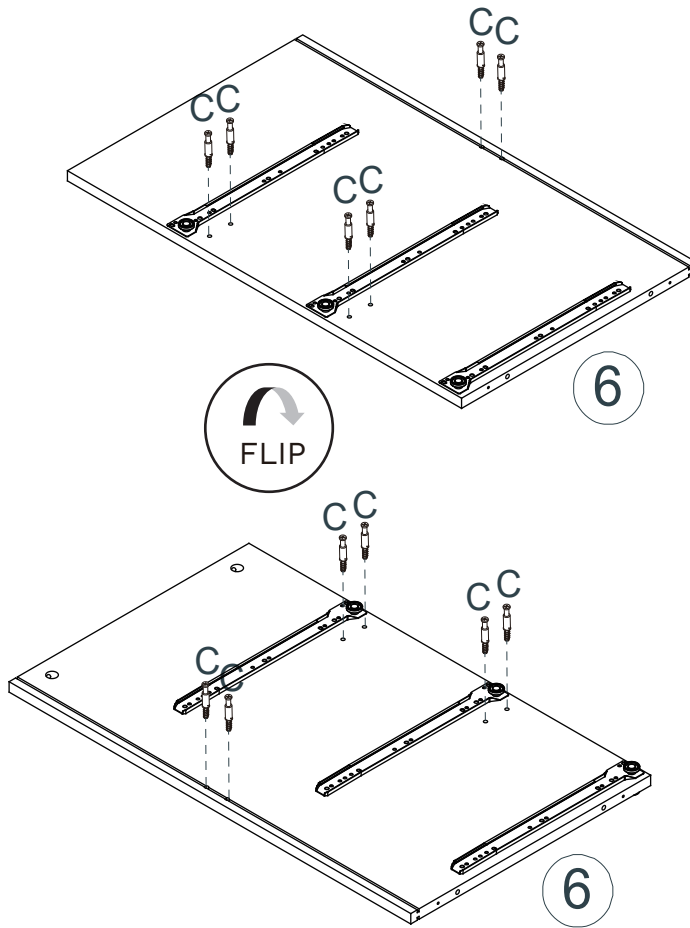
### Step 4




Hardware Needed		
E		X18
CL		X3
CR		X3

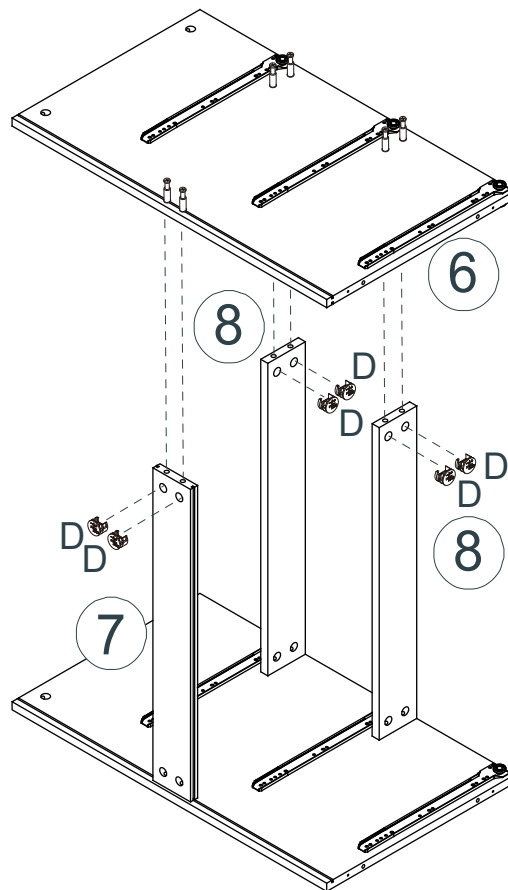



# Step 5

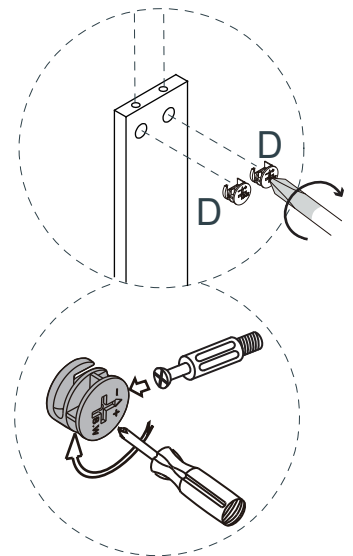


Hardware Needed		
C		X12

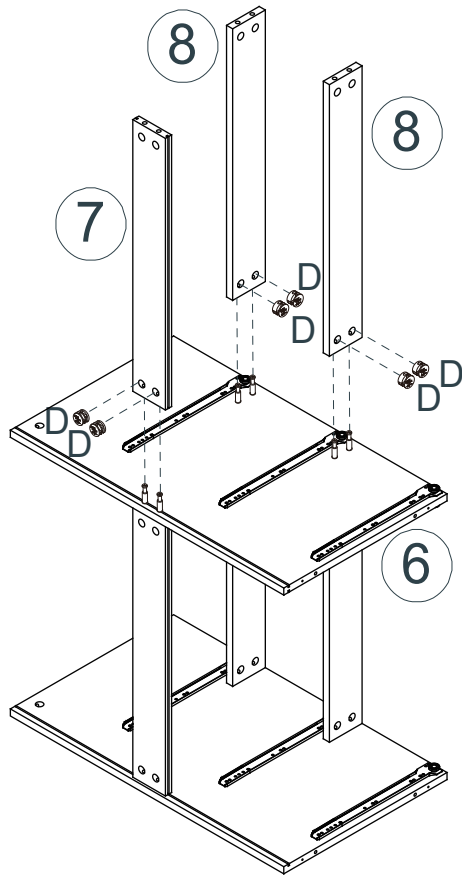
# Step 6




Hardware Needed		
D		X6

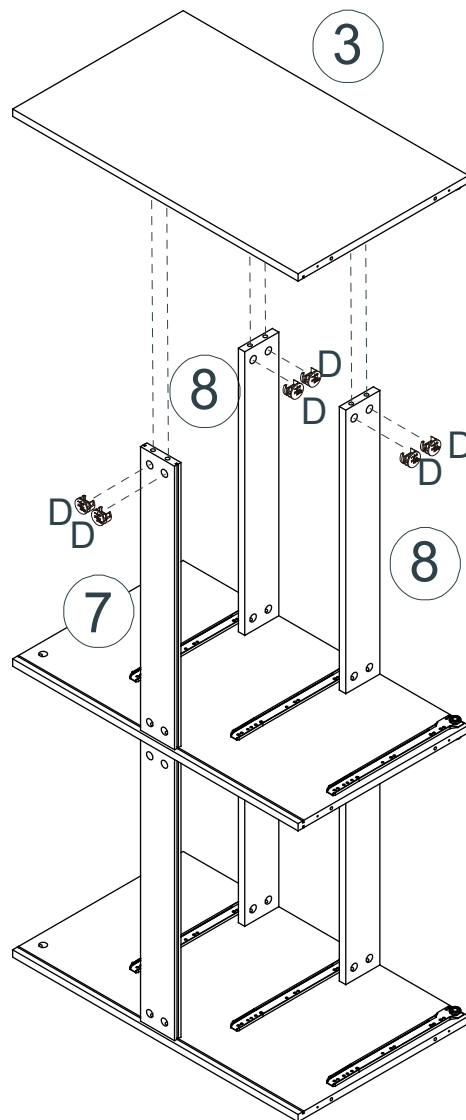



## Step 7



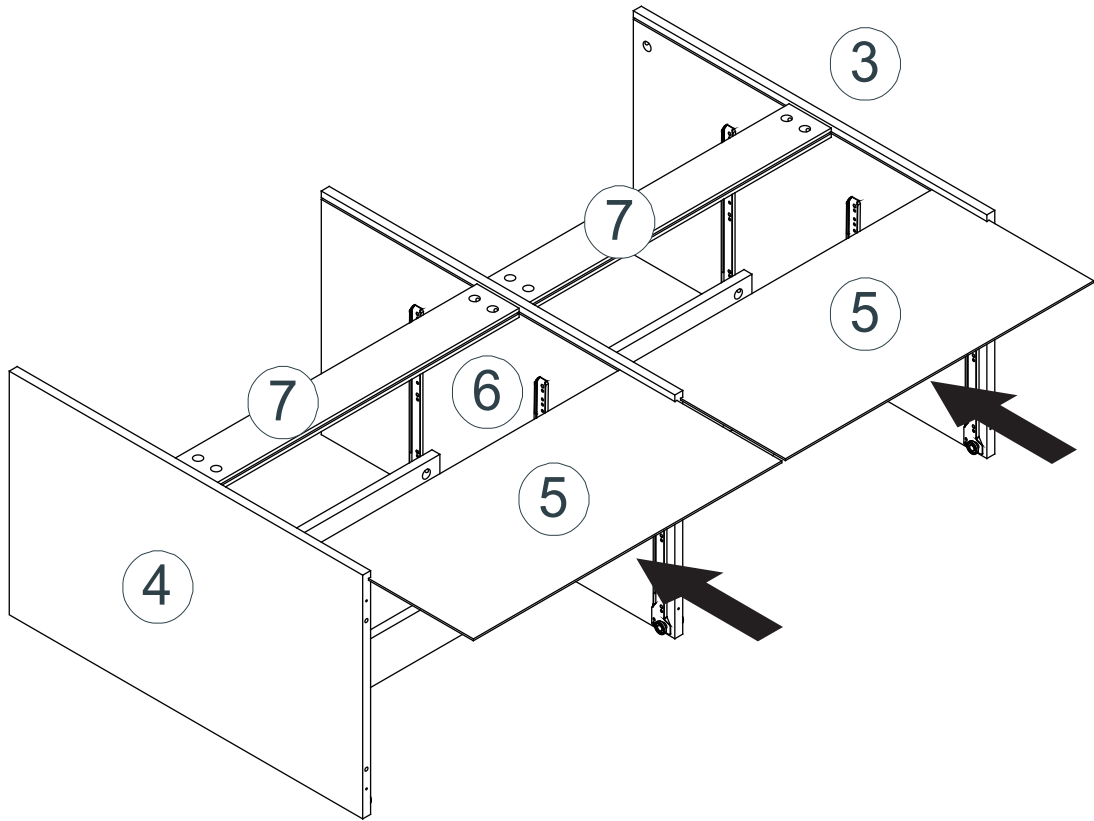
Hardware Needed		
D		X6

## Step 8




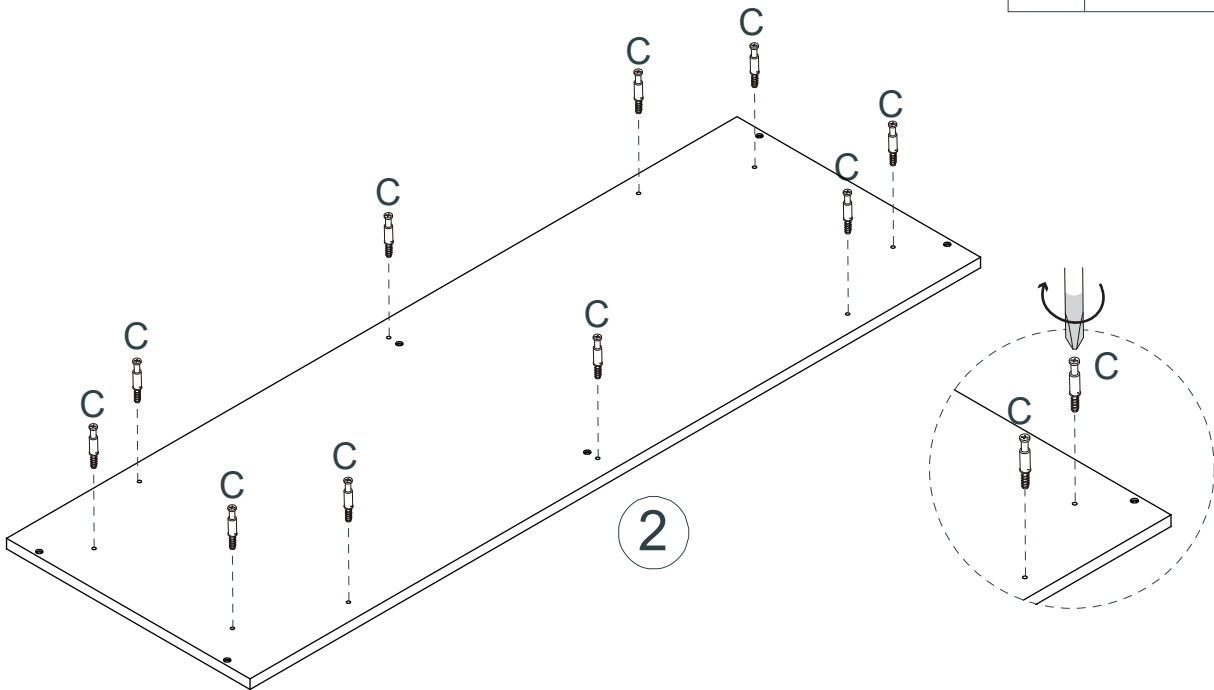
Hardware Needed		
D		X6

# Step 9

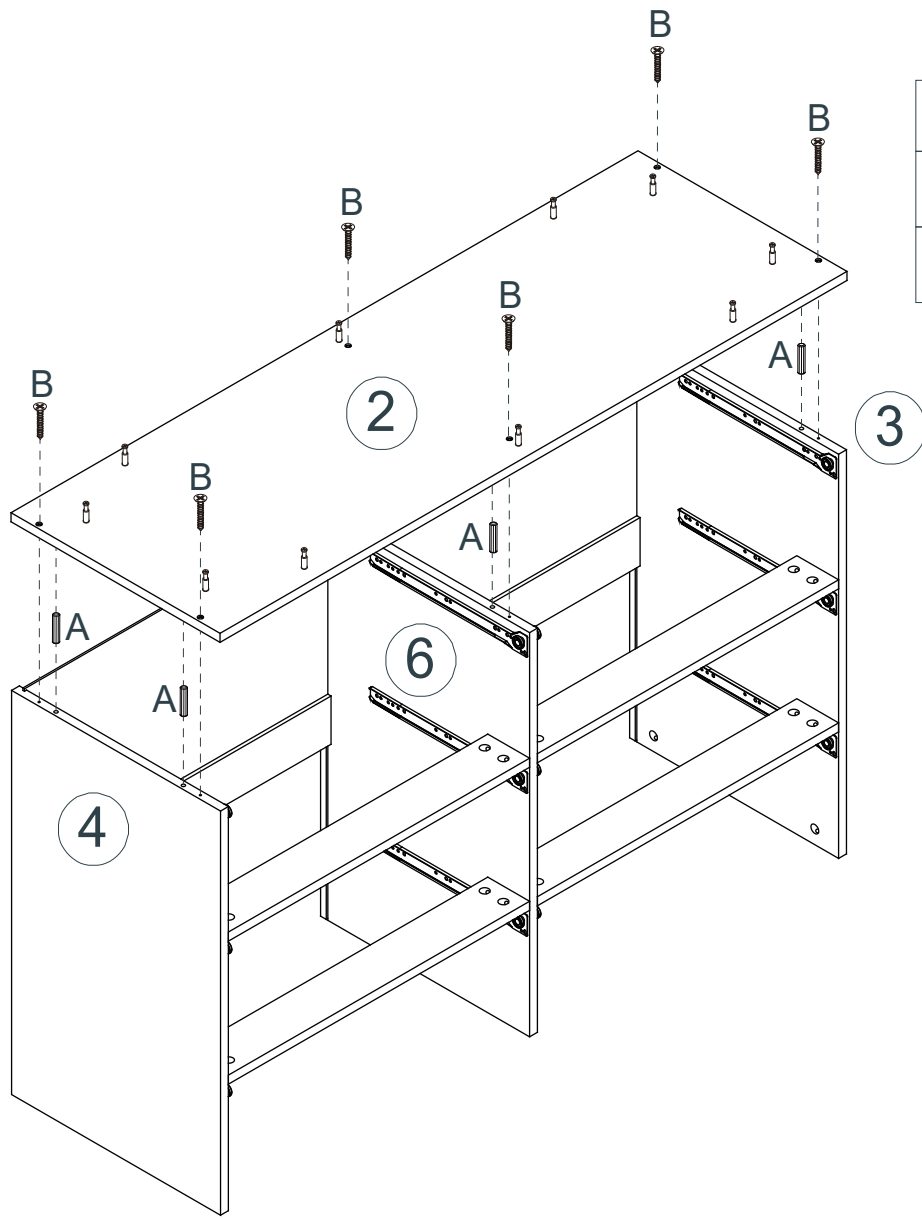




# Step 10

Hardware Needed		
C		X10

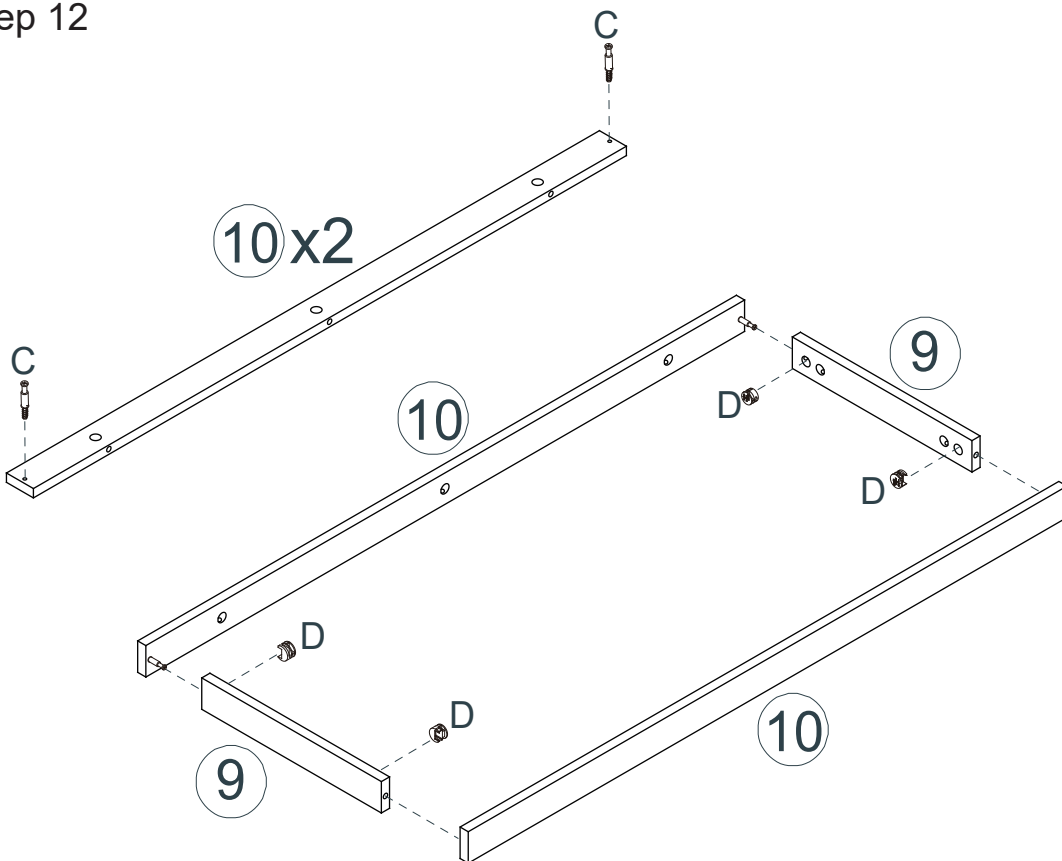




# Step 11



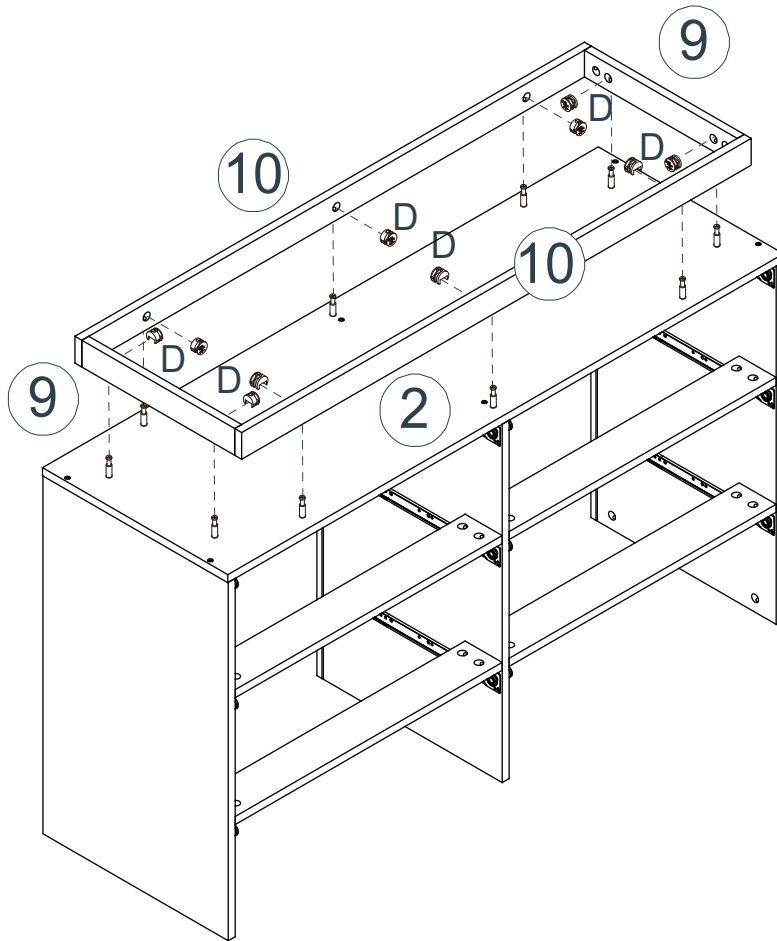
Hardware Needed		
A		X6
B		X6


# Step 12

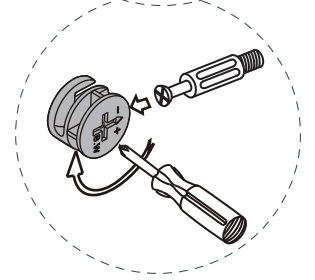
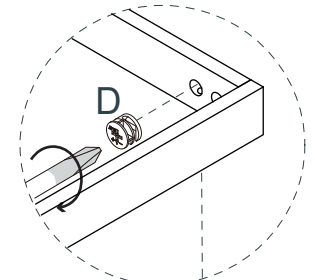


Hardware Needed		
C		x4
D		x4

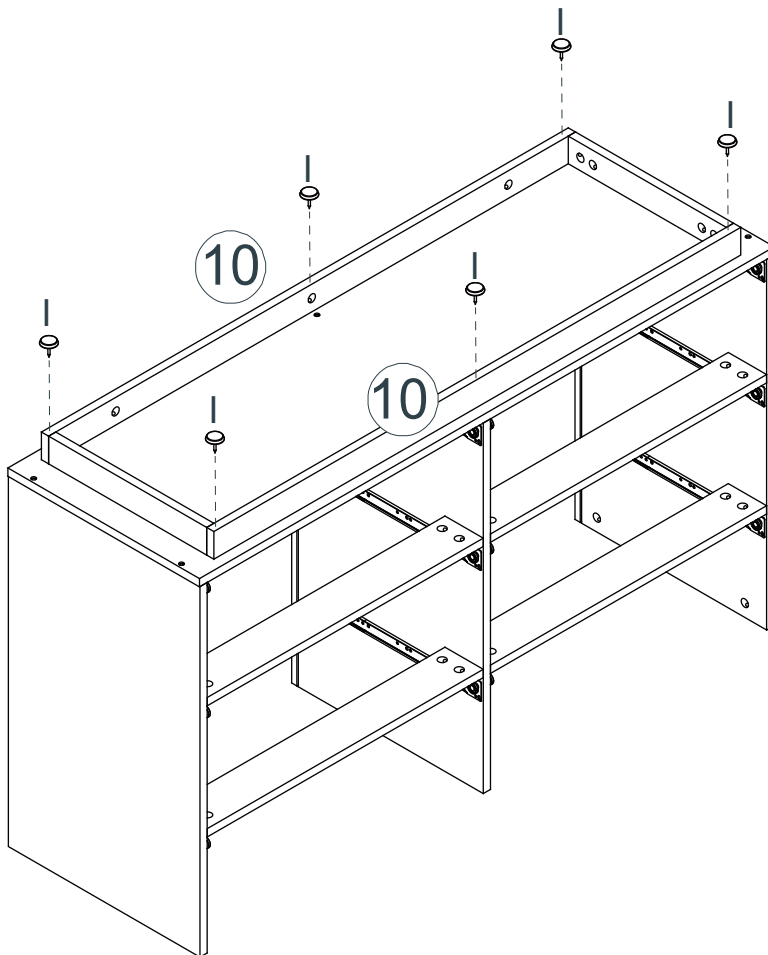
# Step 13




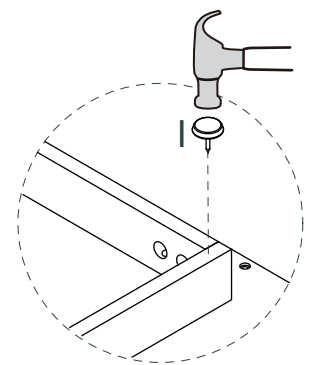
Hardware Needed		
D		X10



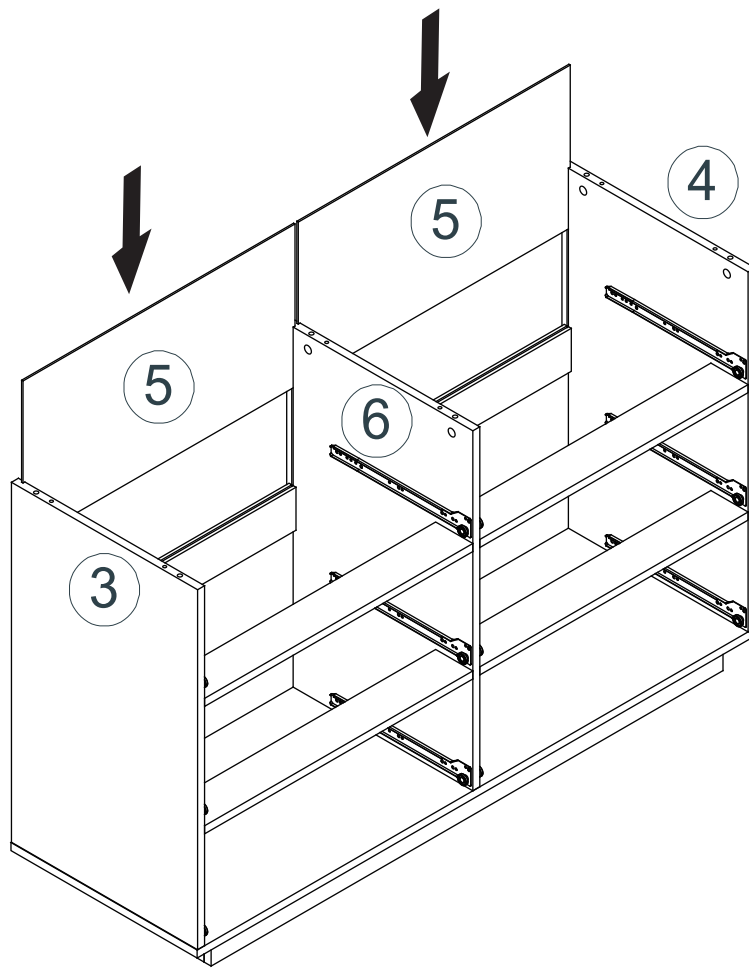
# Step 14



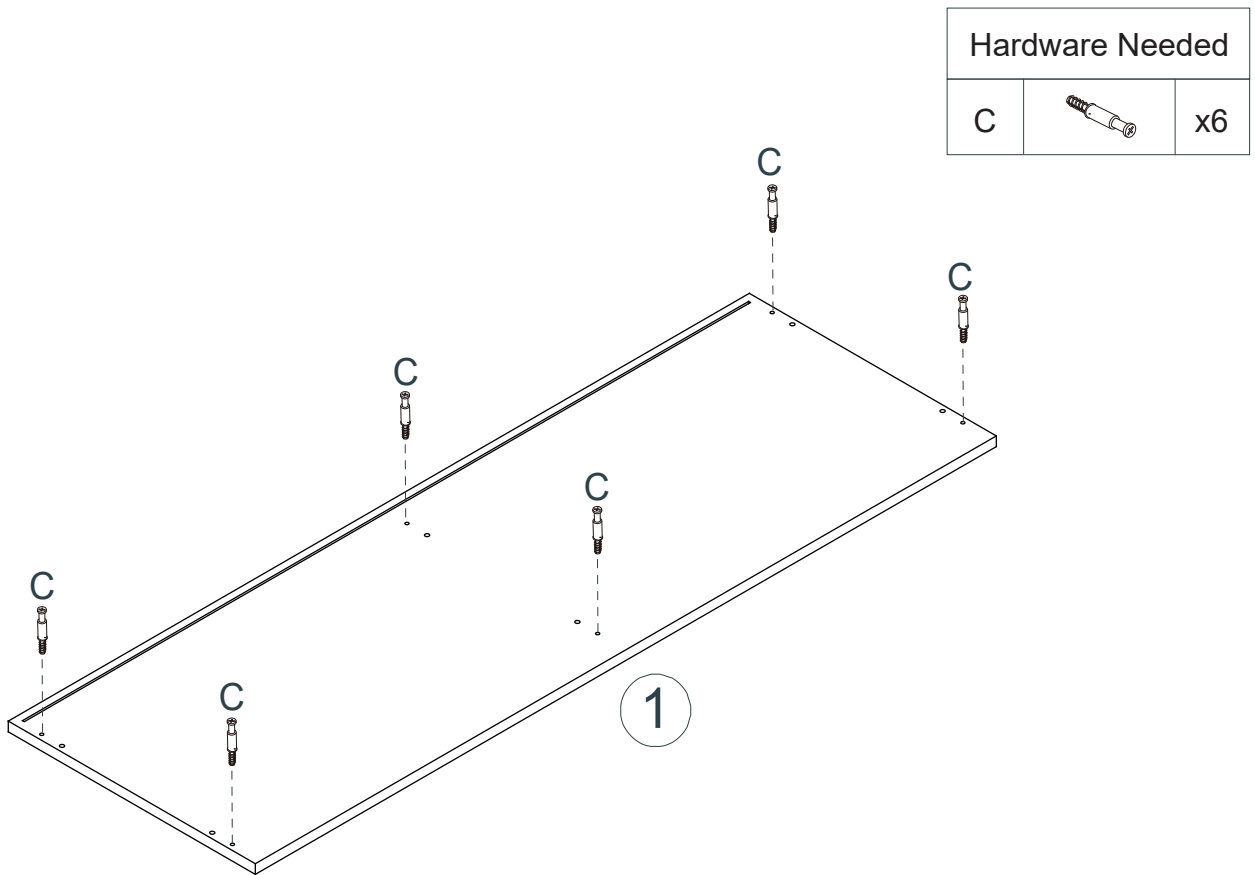
Hardware Needed		
I		X6



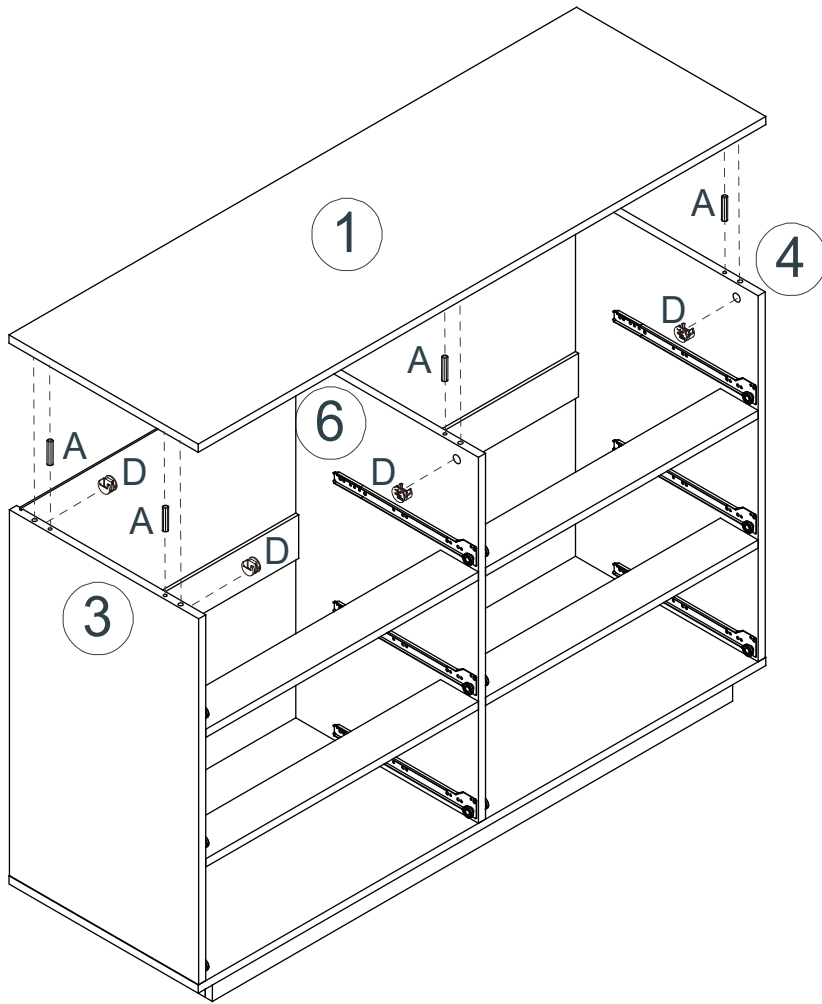
Step 15





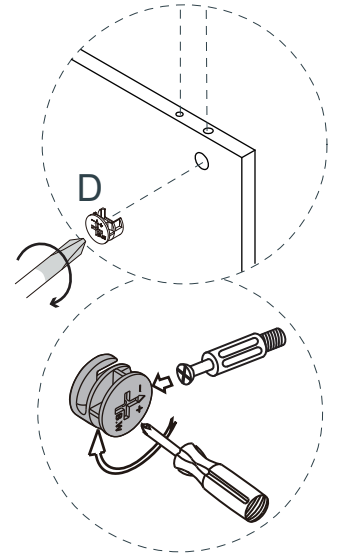
Step 16



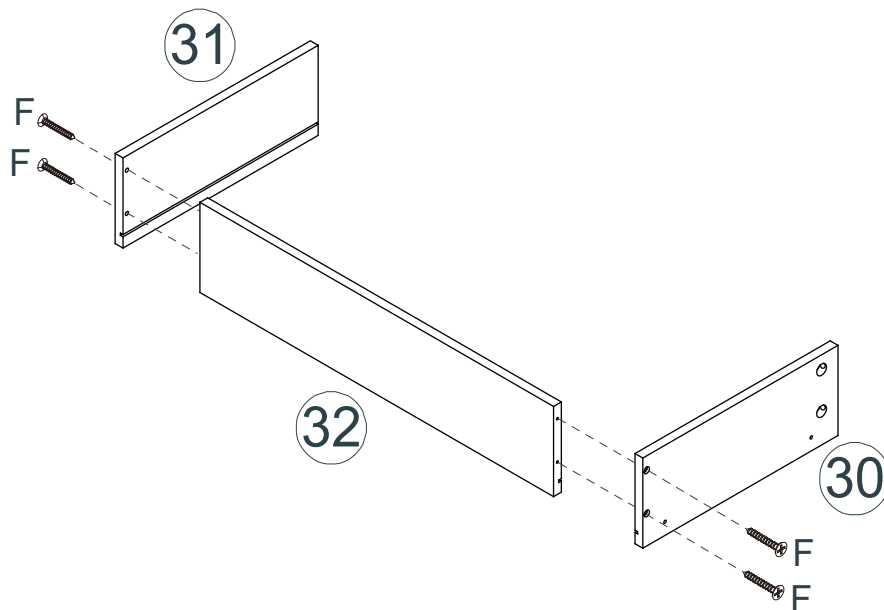
# Step 17




Hardware Needed		
A		x6
D		x6



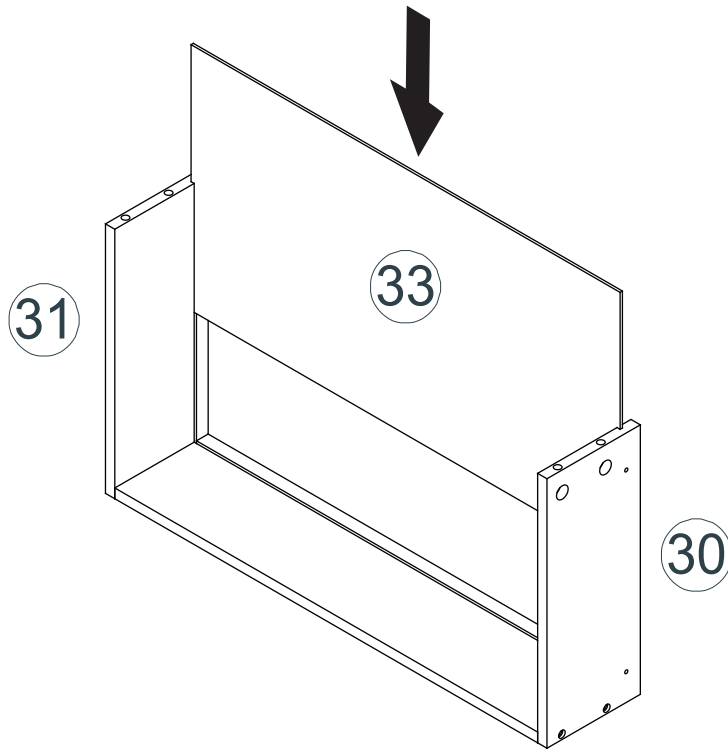
# Step 18



Hardware Needed		
F		x24

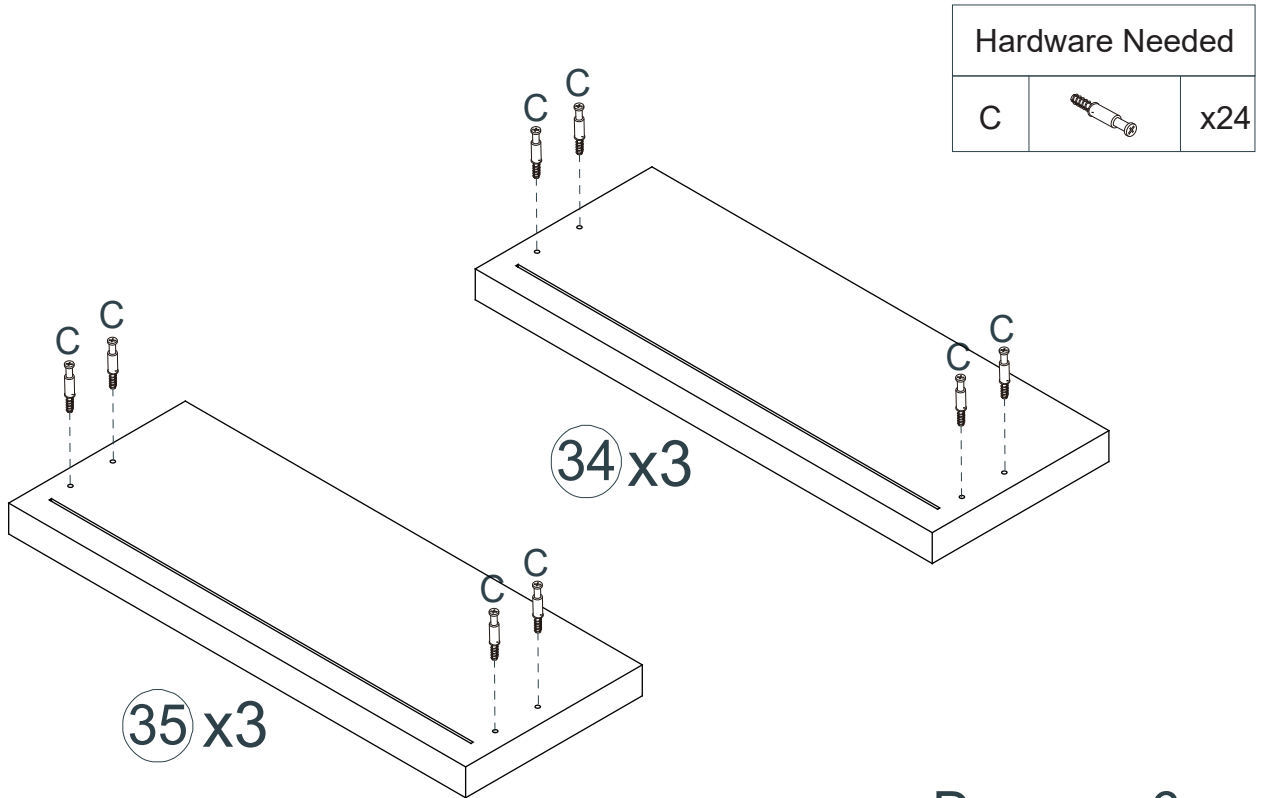
Drawer x6


Step 19



Drawer x6


Step 20

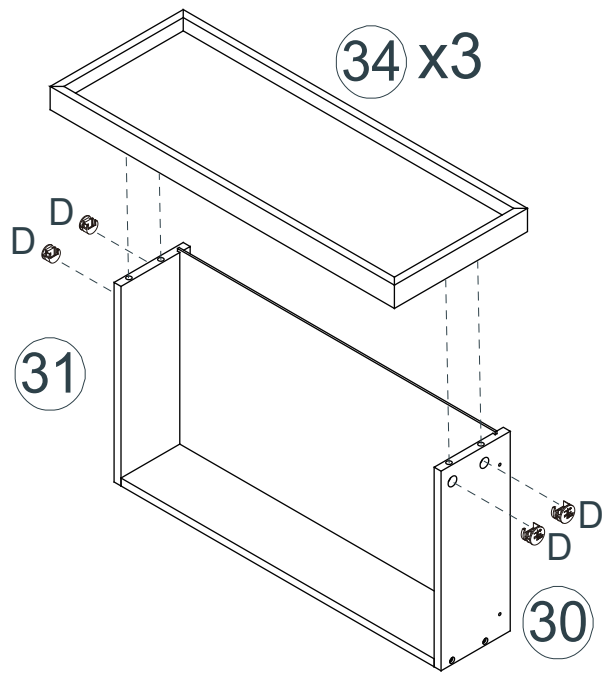
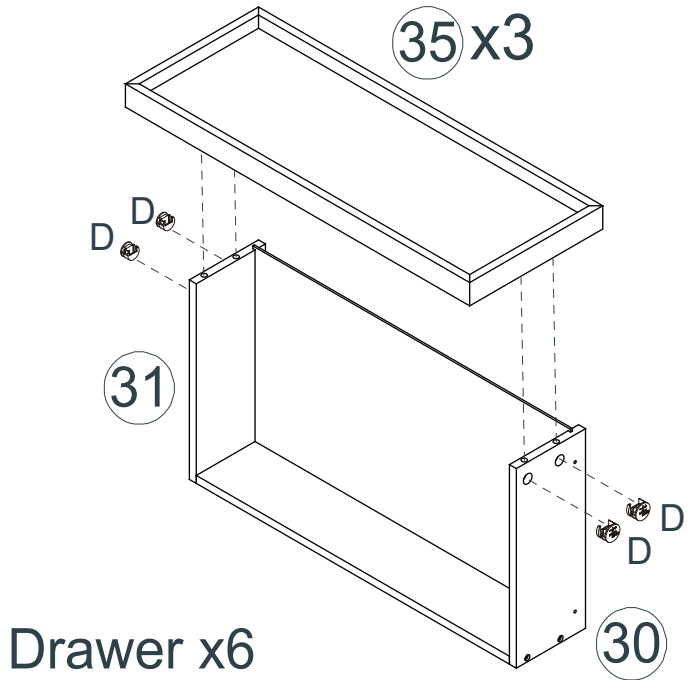


Hardware Needed		
C		x24

Drawer x6

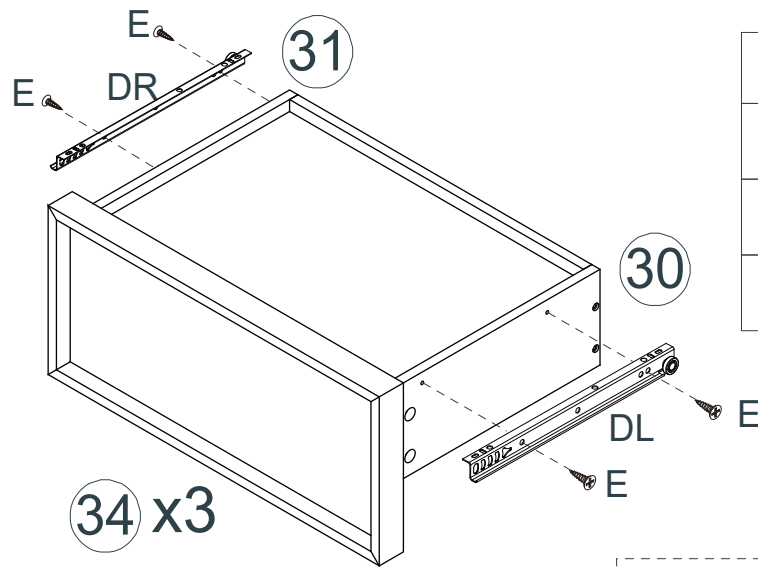
# Step 21


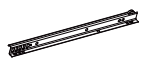
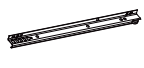
Hardware Needed		
D		x24

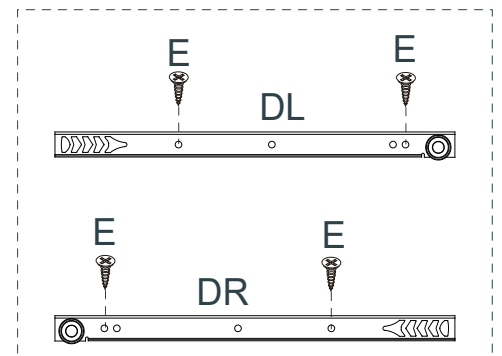
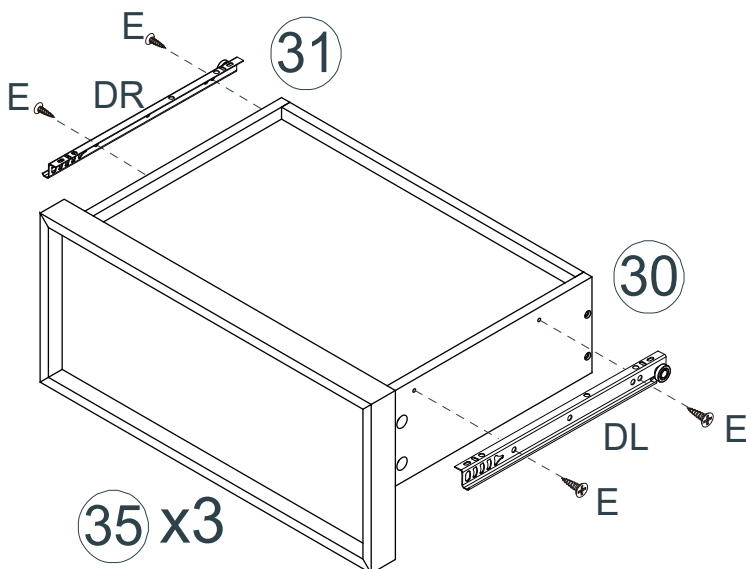


Drawer x6

# Step 22

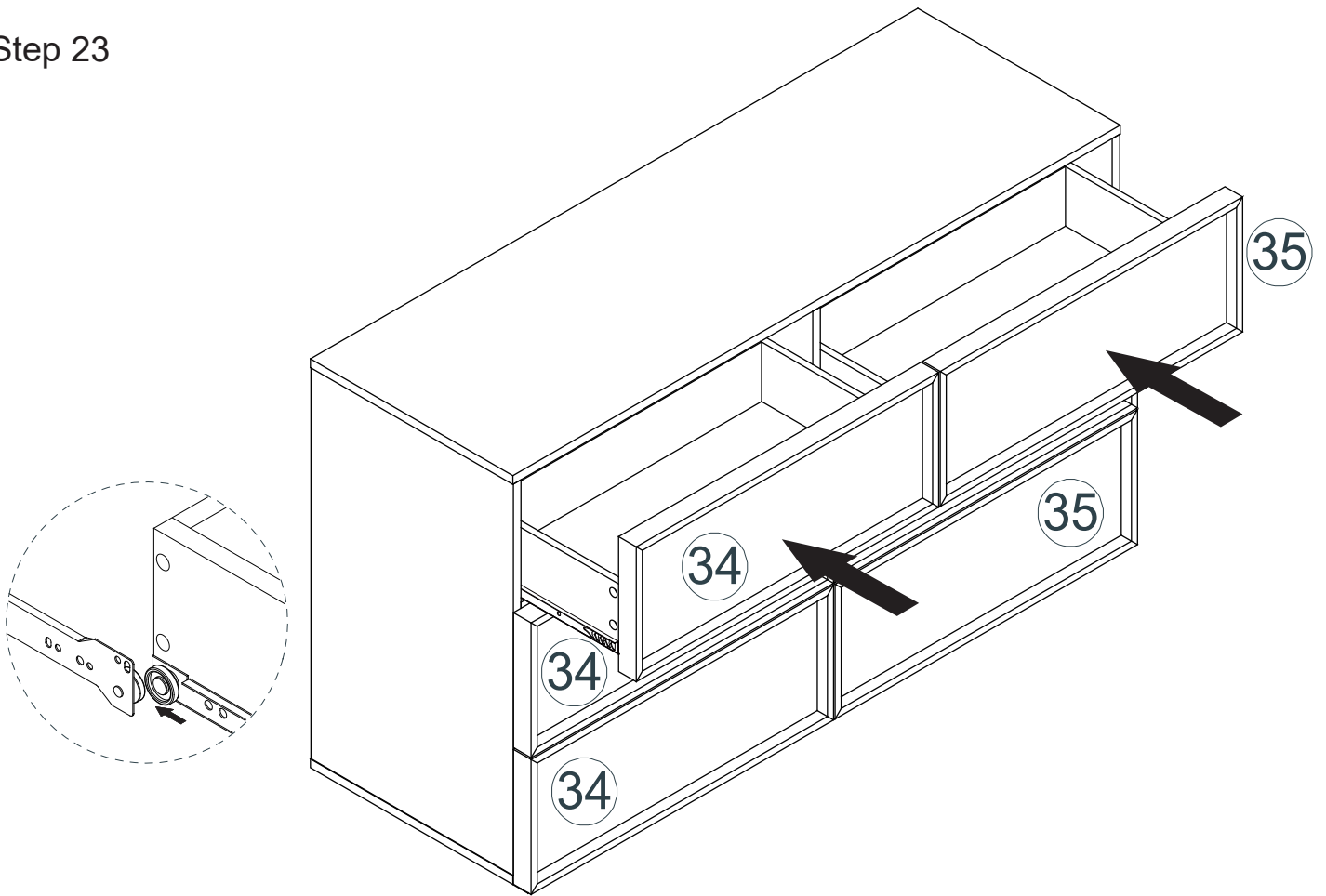


Hardware Needed		
E		x24
DL		x6
DR		x6



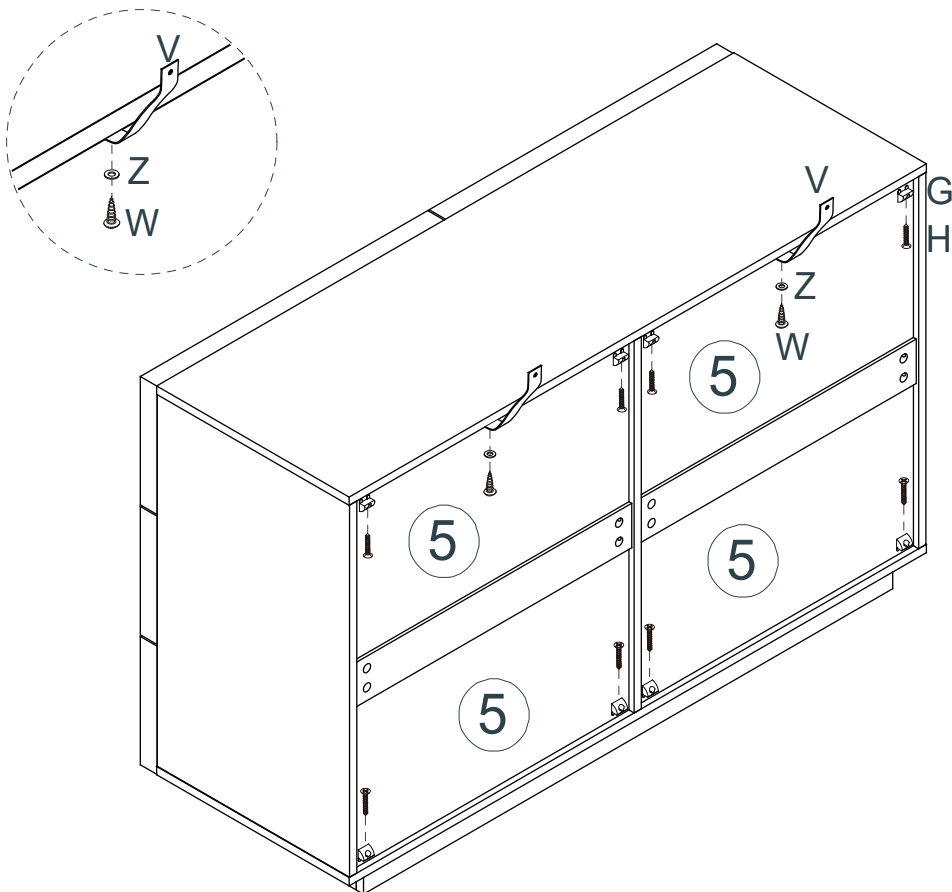
Drawer x6

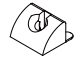




## Step 23

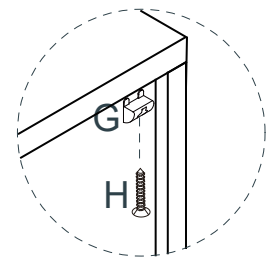


Insert the assembled drawers into the corresponding compartments as shown.

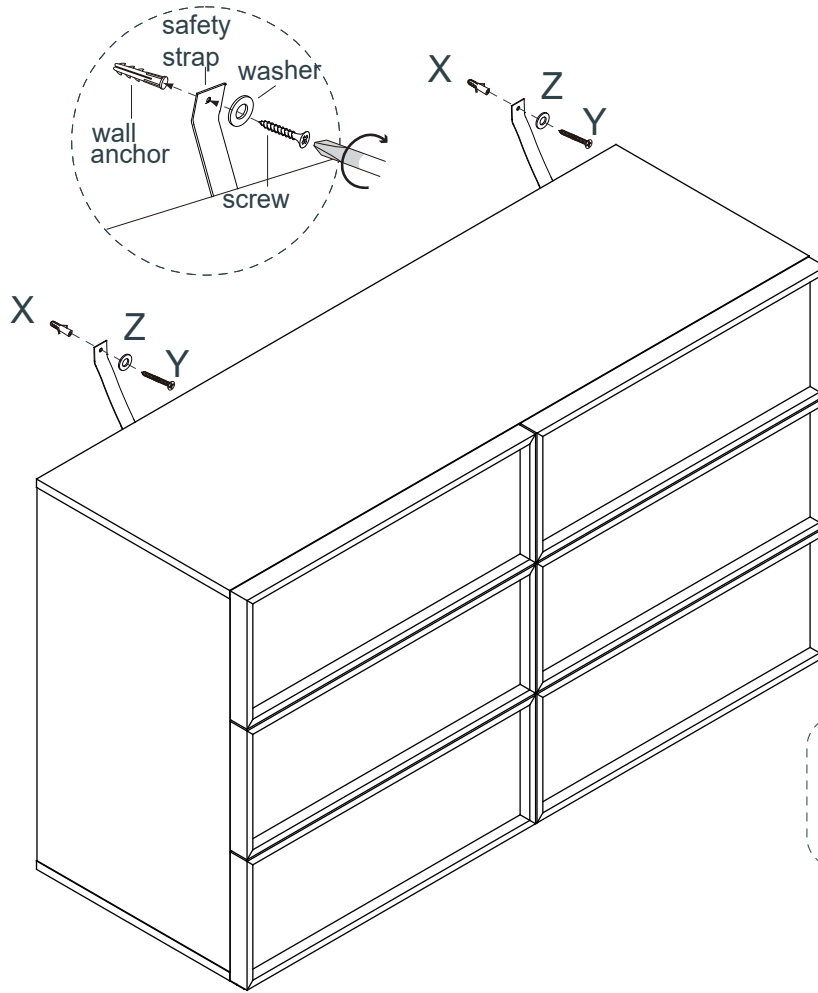
## Step 24






Hardware Needed		
G		X8
H		X8
V		X2
W		X2
Z		X2



## Step 25



### Hardware Needed

X		x2
Y		x2
Z		x2

**Note:** Seek advice from a qualified trades person on how to attach this safety strap to your specific wall.

## Step 26

