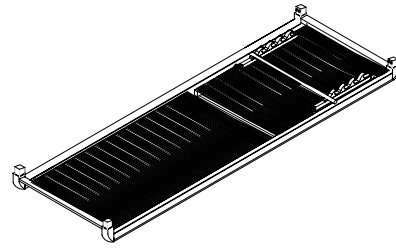
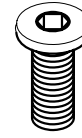


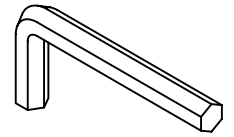
A: 2PCS



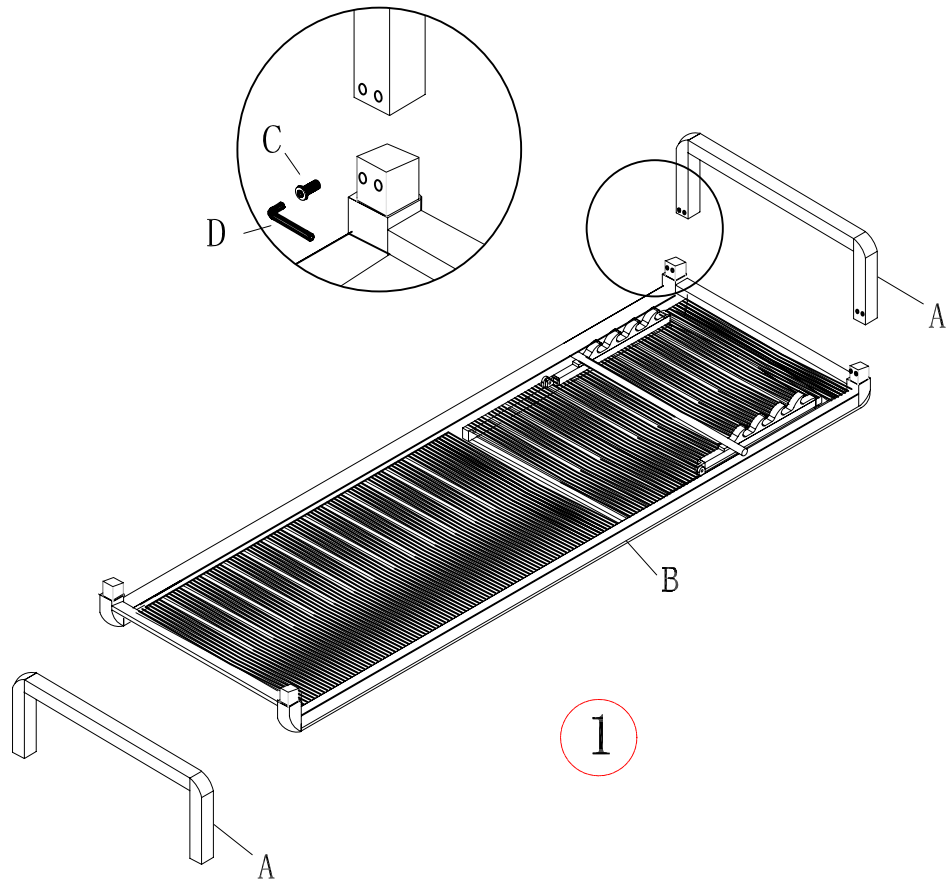
B: 1PCS



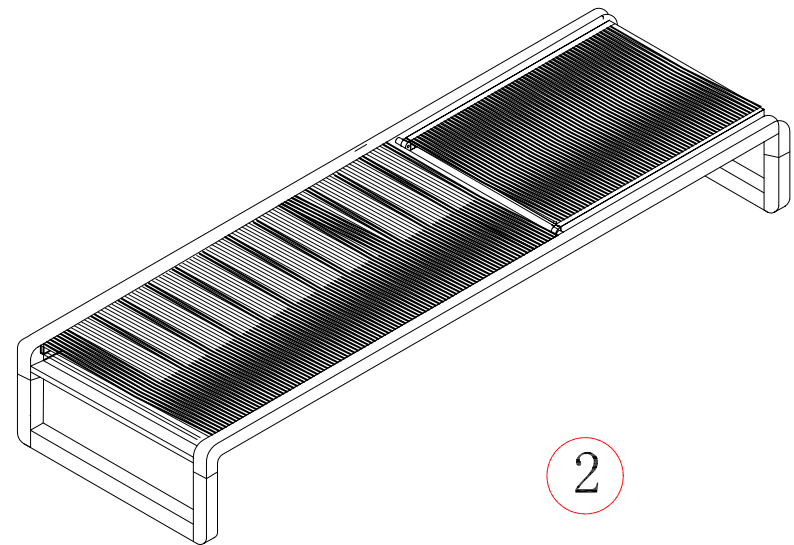
C: M6*20*8pcs



D: 4MM*1PCS



1



2

Please assemble all components firstly, then tightly fix all screws.