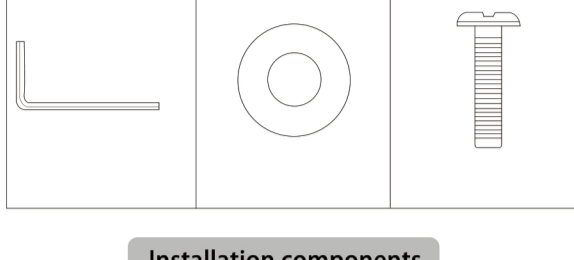
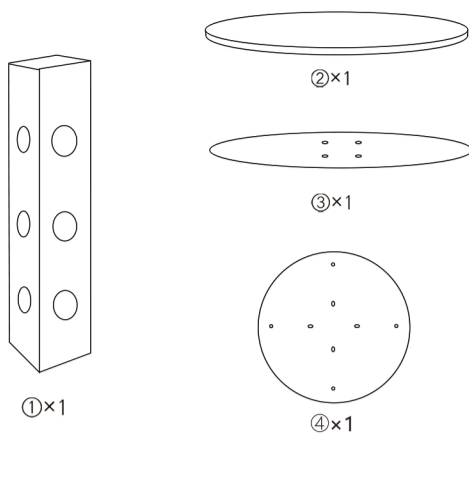
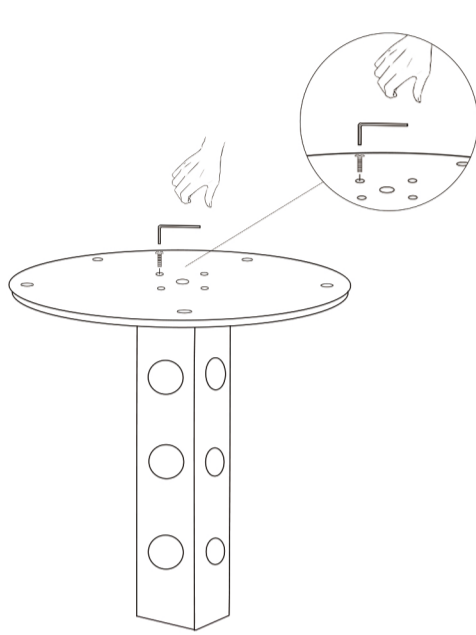


1



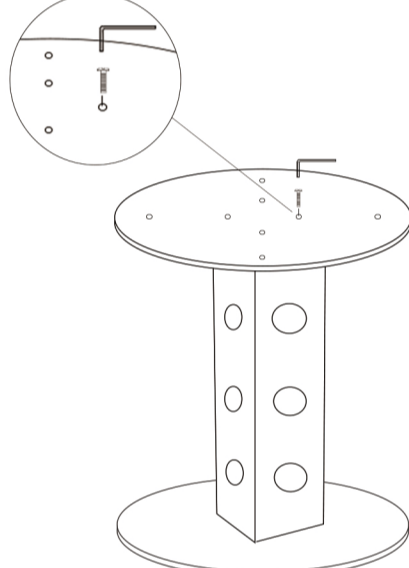
Installation components

2



Install the round metal base bottom first. Place the base on the ground, align the holes for connection, and secure with screws using a screwdriver.

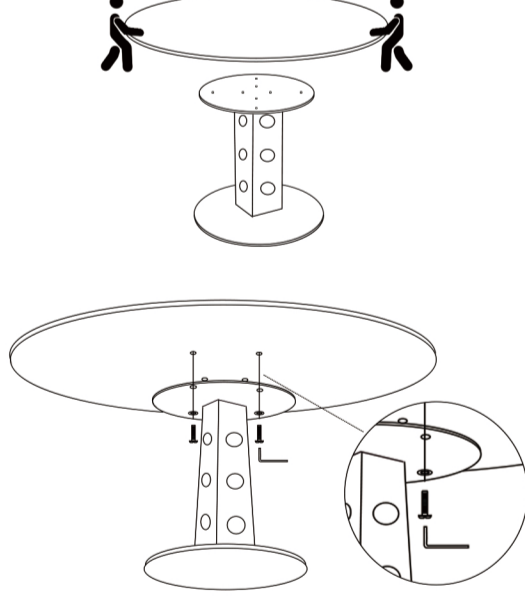
3



After installing the round metal base, place the connecting plate on top of the base. Align the holes on the connecting plate with the holes on the base, and then use a screwdriver and screws to secure them together.

Note: Do not tighten all the screws too much at first, and only tighten all the screws until the last screw is tightened.

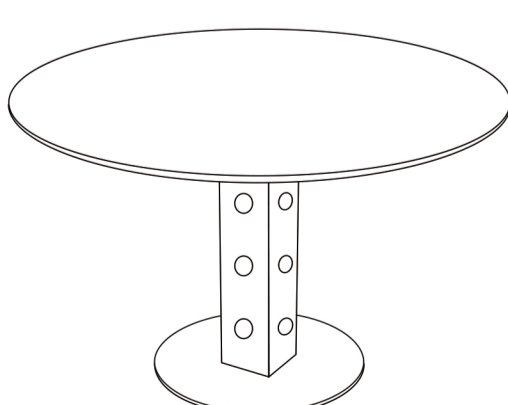
4



Lift the tabletop together and place it onto the assembled base. Align the holes on the tabletop with those on the connecting plate, then use a screwdriver to install each screw.

After all screws are installed, tighten them securely one by one.

5



Installation complete