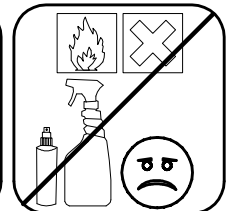
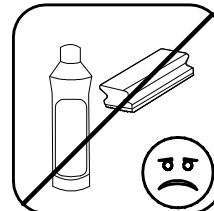
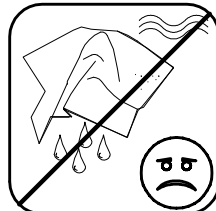
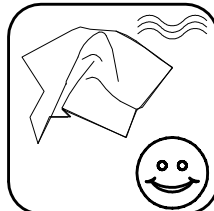
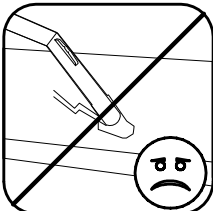
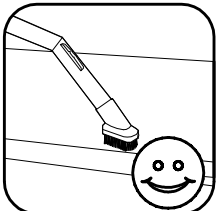
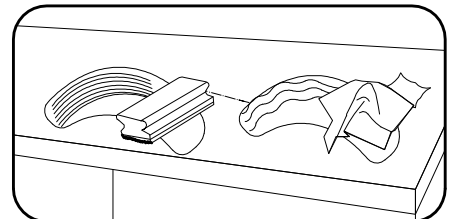
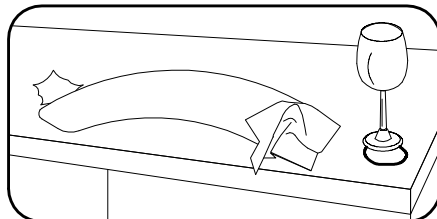
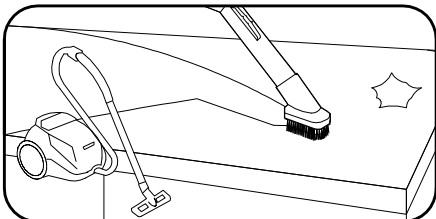
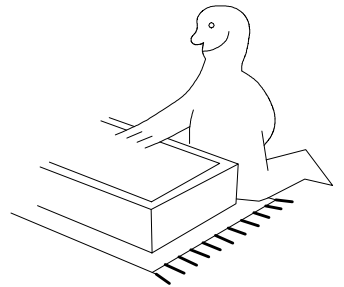
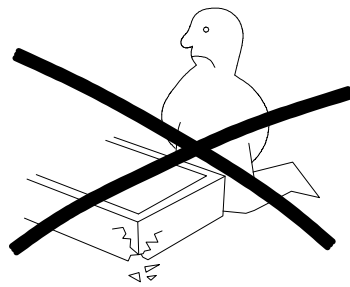
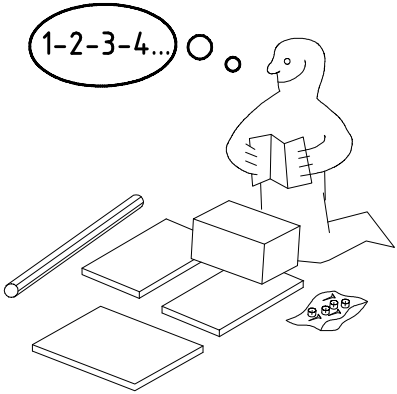
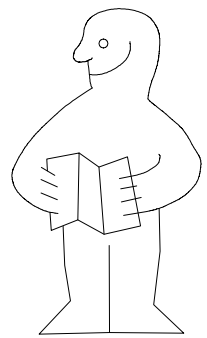
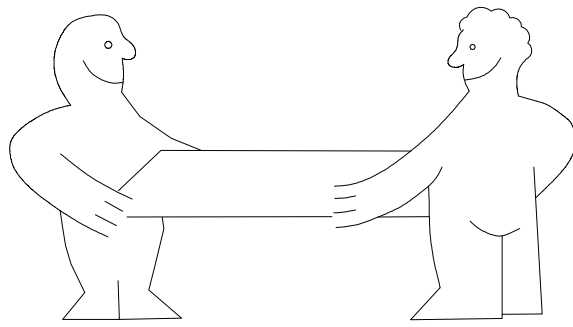
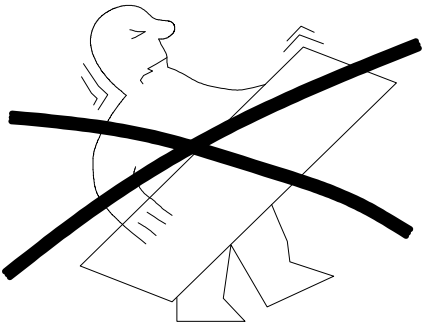

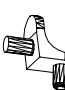


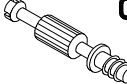

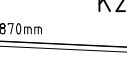
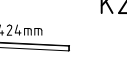
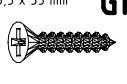

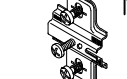







NSP 225

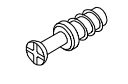



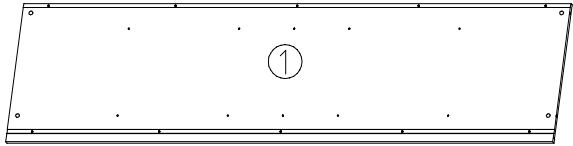
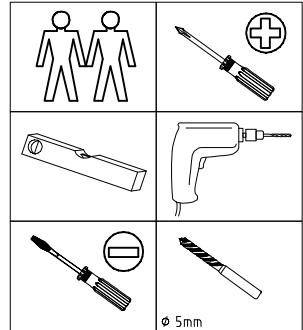
	A	20x
	L7	12x
	J1	6x
	K1	6x

	C	20x
	T6	6x
	K20	2x
	K21	1x

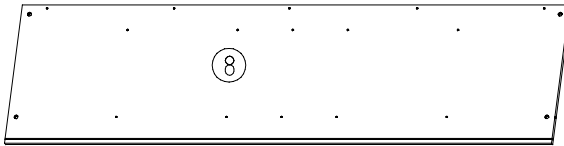
	G14	10x
	VB23	8x
	M	15x
	N	15x

	Y20	8x
	T3	16x
	G8	8x
	Z	3x

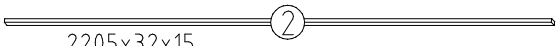
	F	8x
	G1	12x



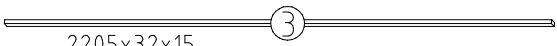
2205x560x15



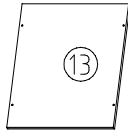
2205x560x15



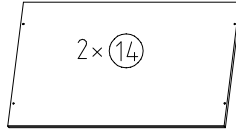
2205x32x15



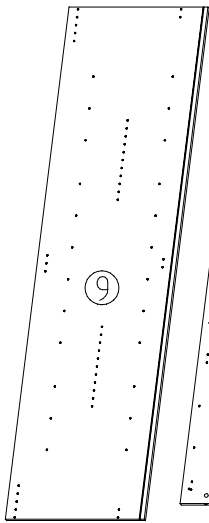
2205x32x15



429x500x18



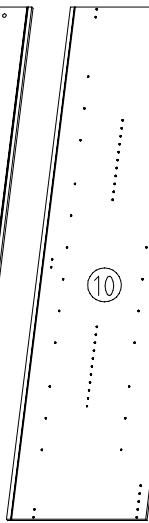
2x 14
873x500x18



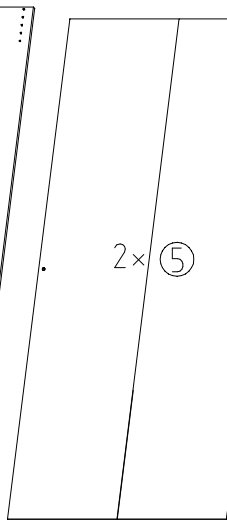
2064x560x15



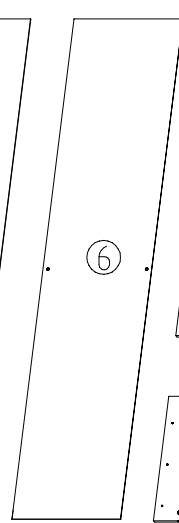
2001x560x15



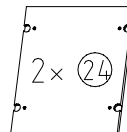
2064x560x15



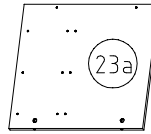
2x 5
15x882x2,5



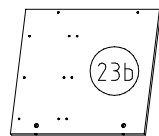
2x 6
15x438x2,5



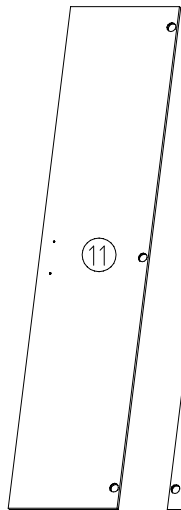
2x 24
429x540x18



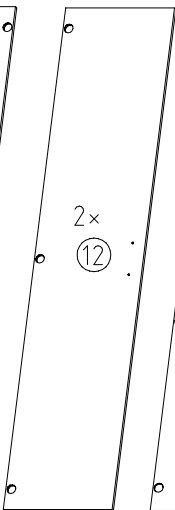
23a
540x505x15



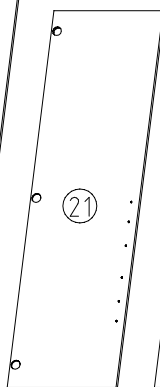
23b
540x505x15



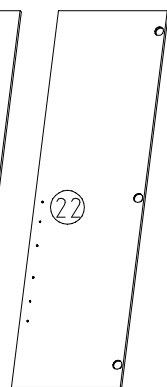
2021x439x15



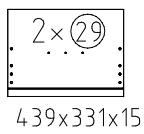
2x 12
2021x439x15



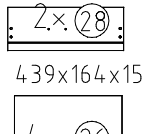
1518x439x15



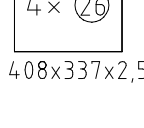
1518x439x15



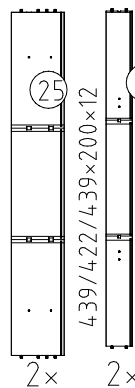
2x 29
439x331x15



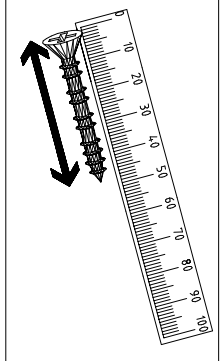
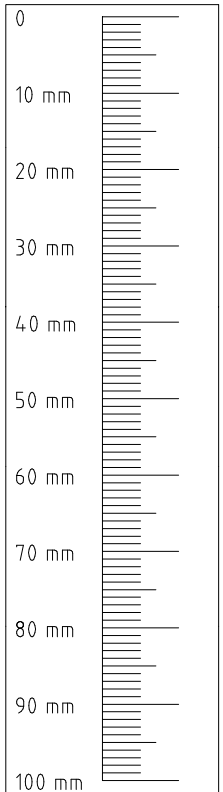
2x 28
439x164x15



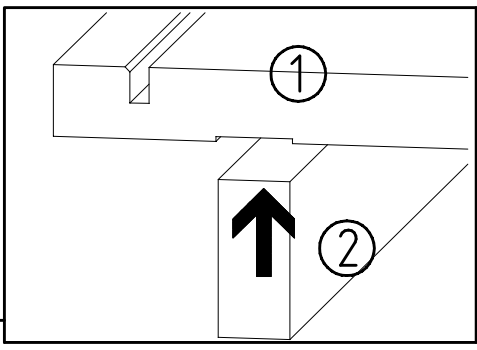
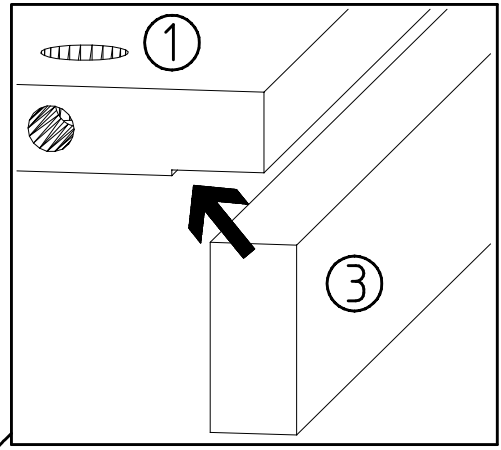
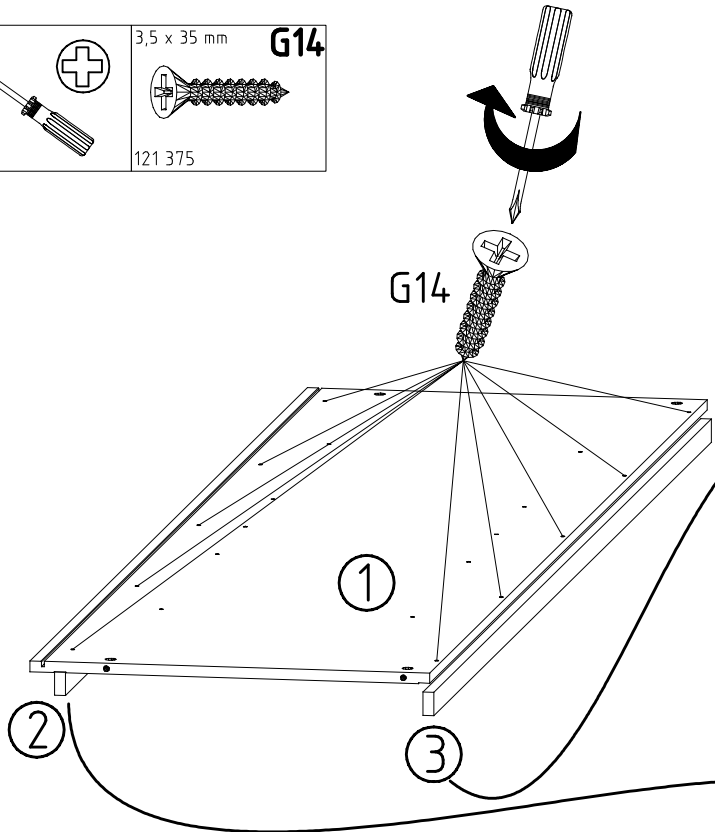
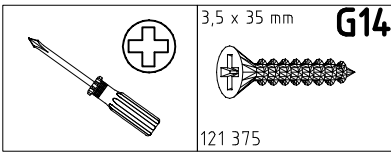
4x 26
408x337x2,5



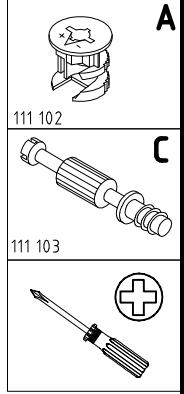
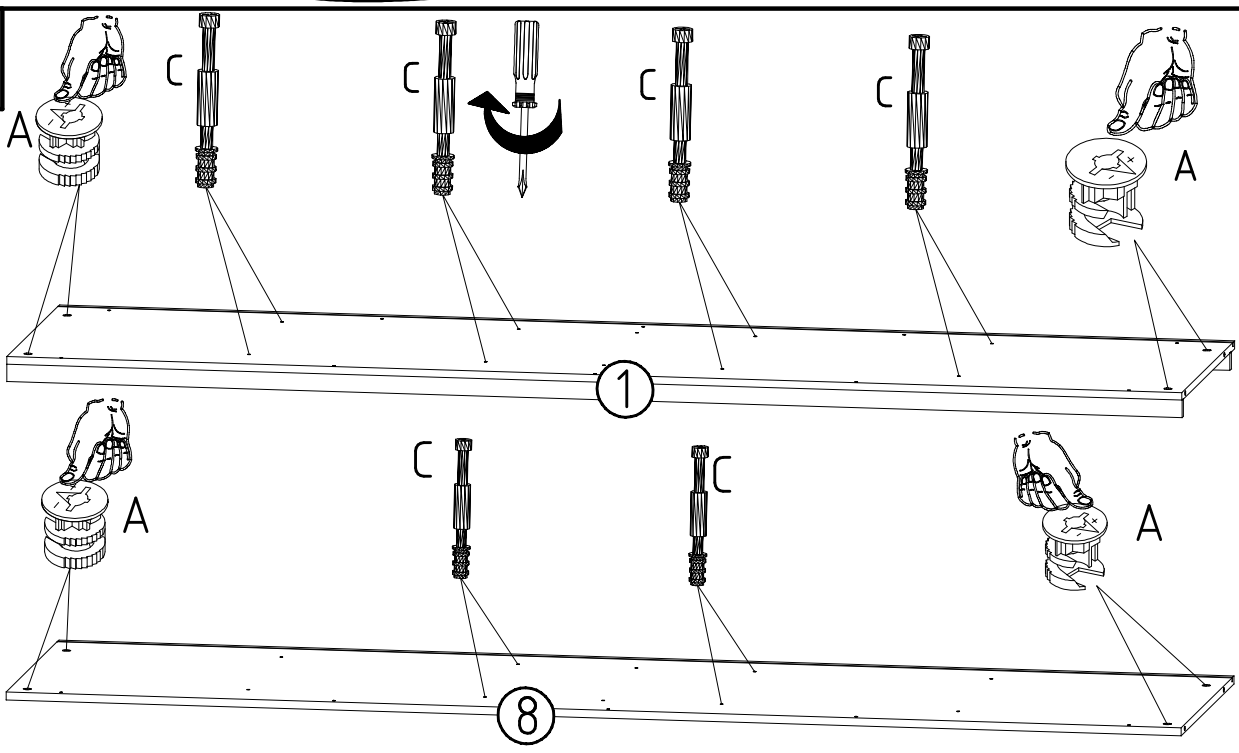
2x 25
2x 30
439/422/439x200x12
439/422/439x92x12



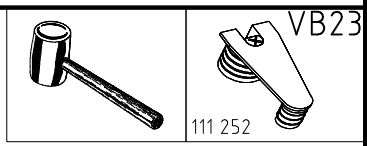
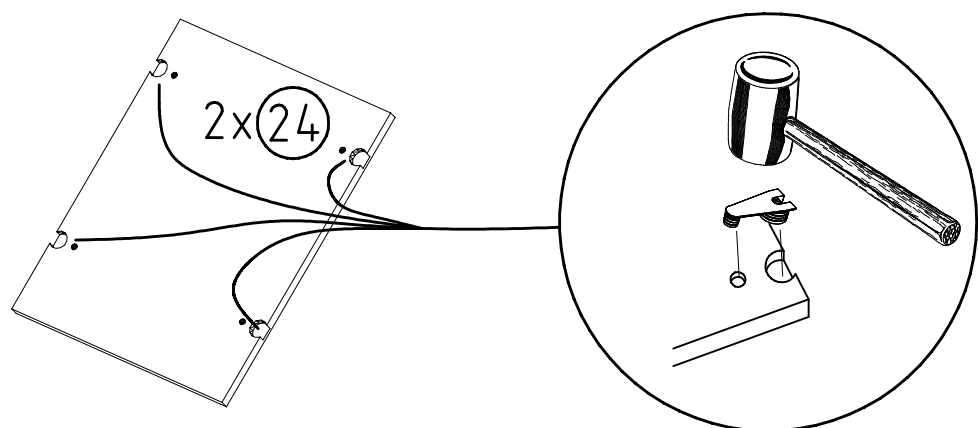
1



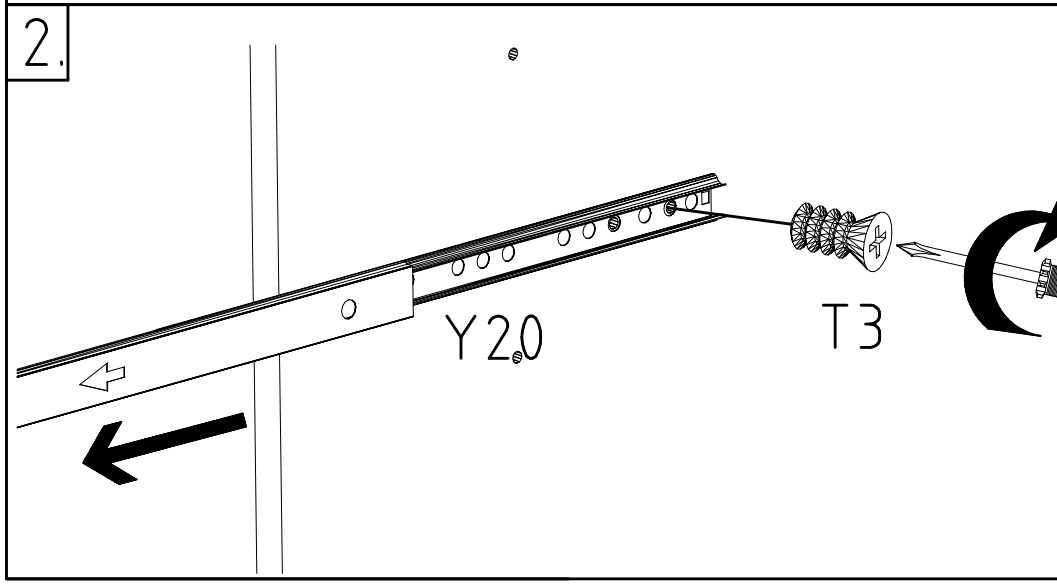
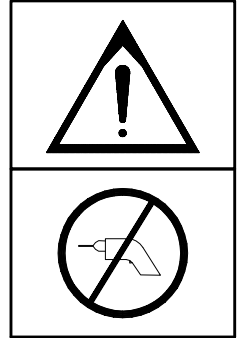
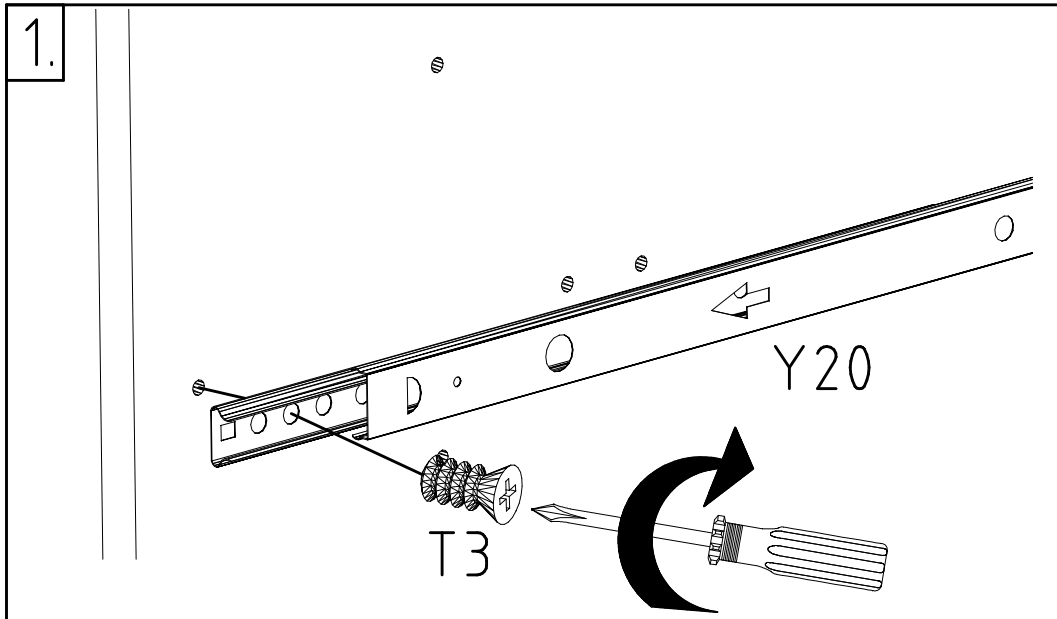
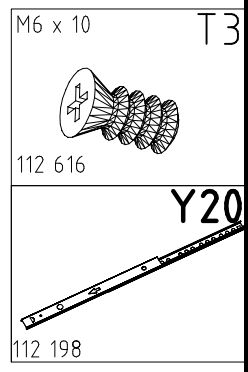
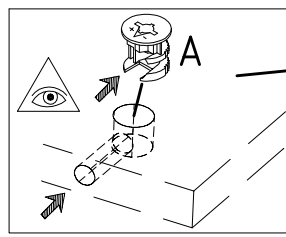
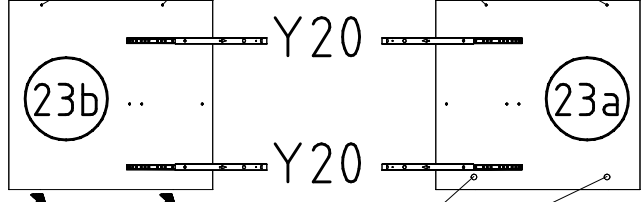
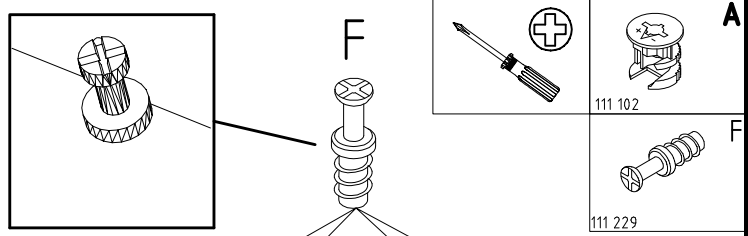
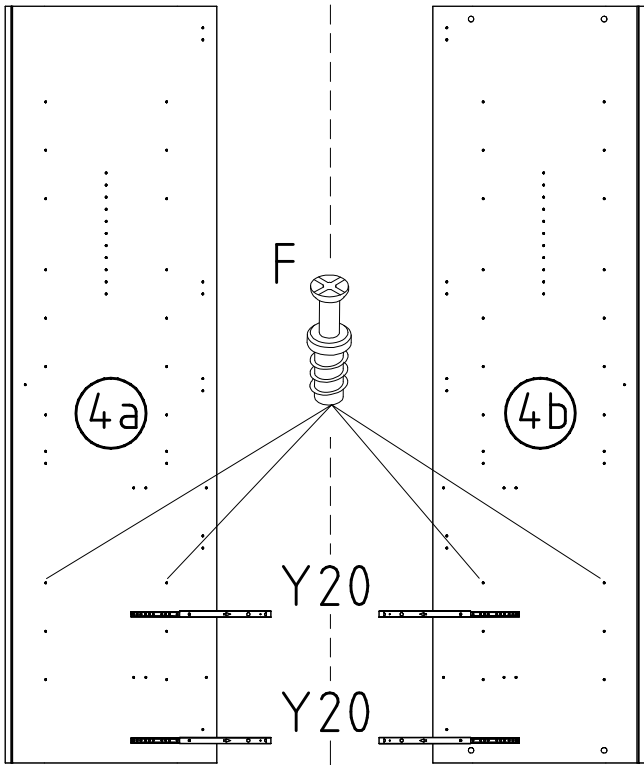
2



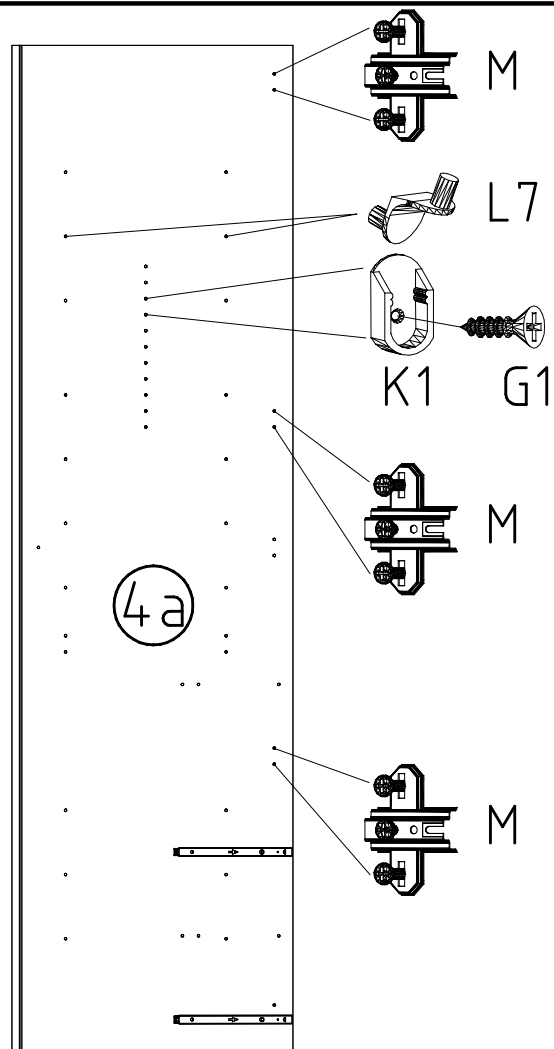
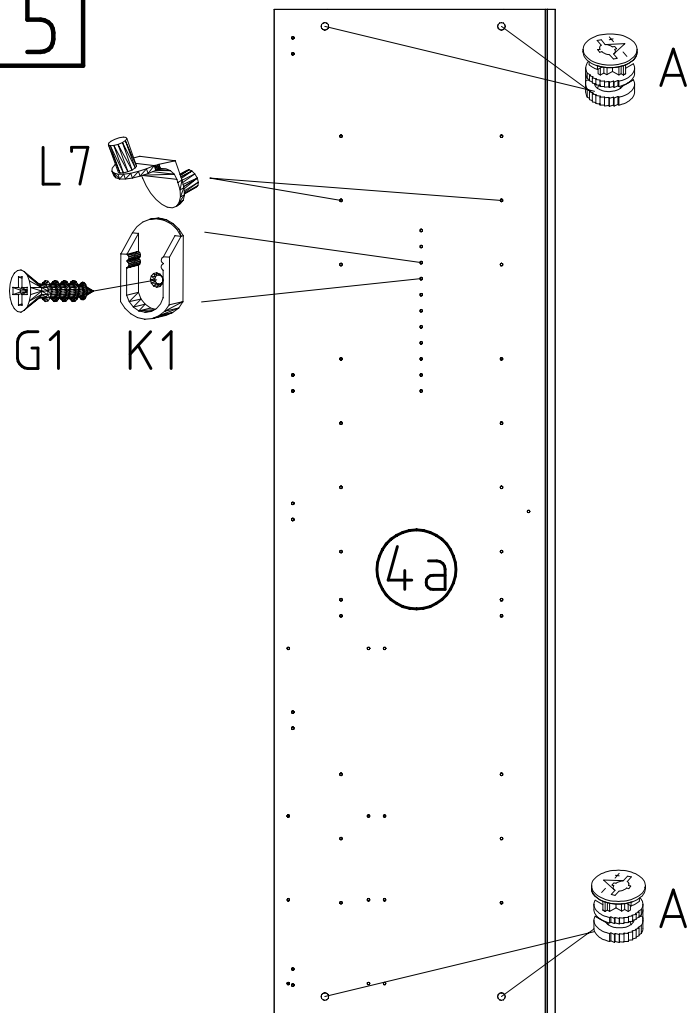
3

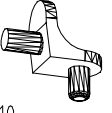
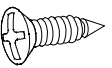
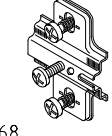
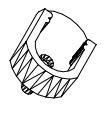
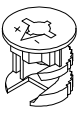

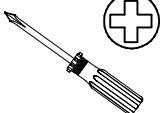



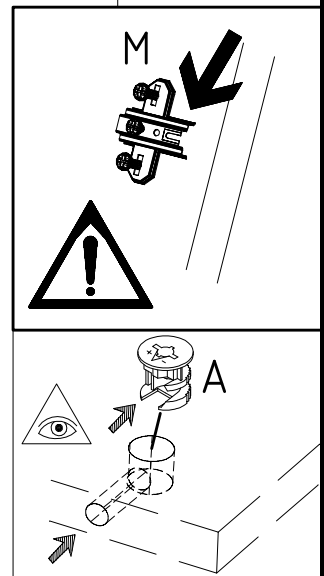
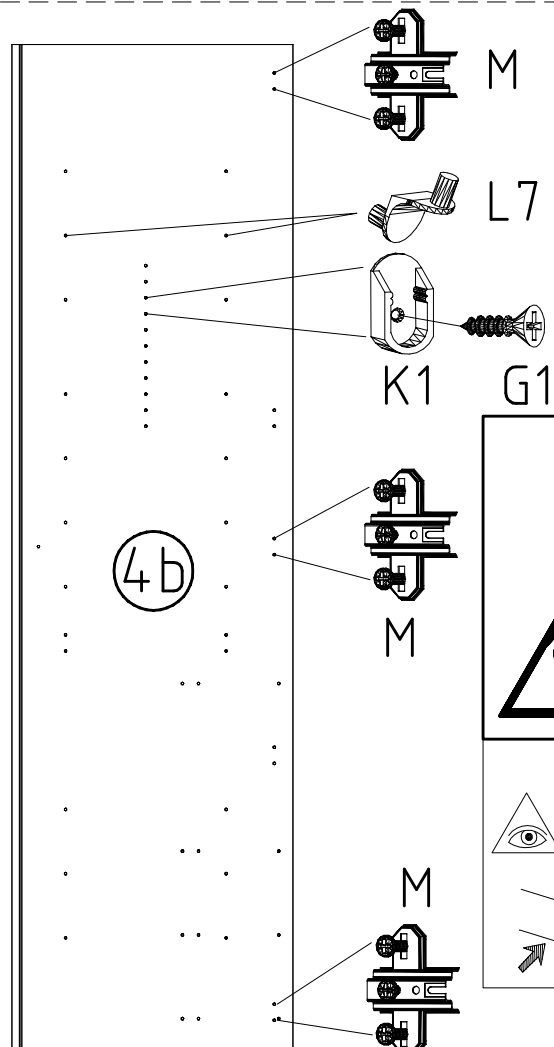
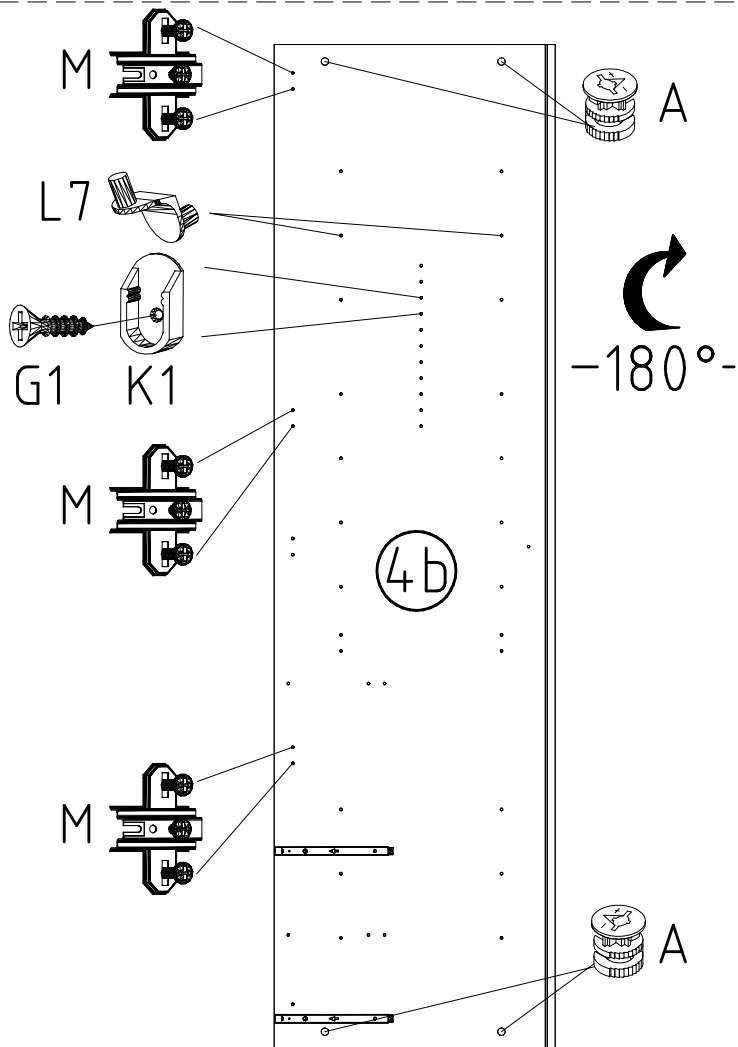
4



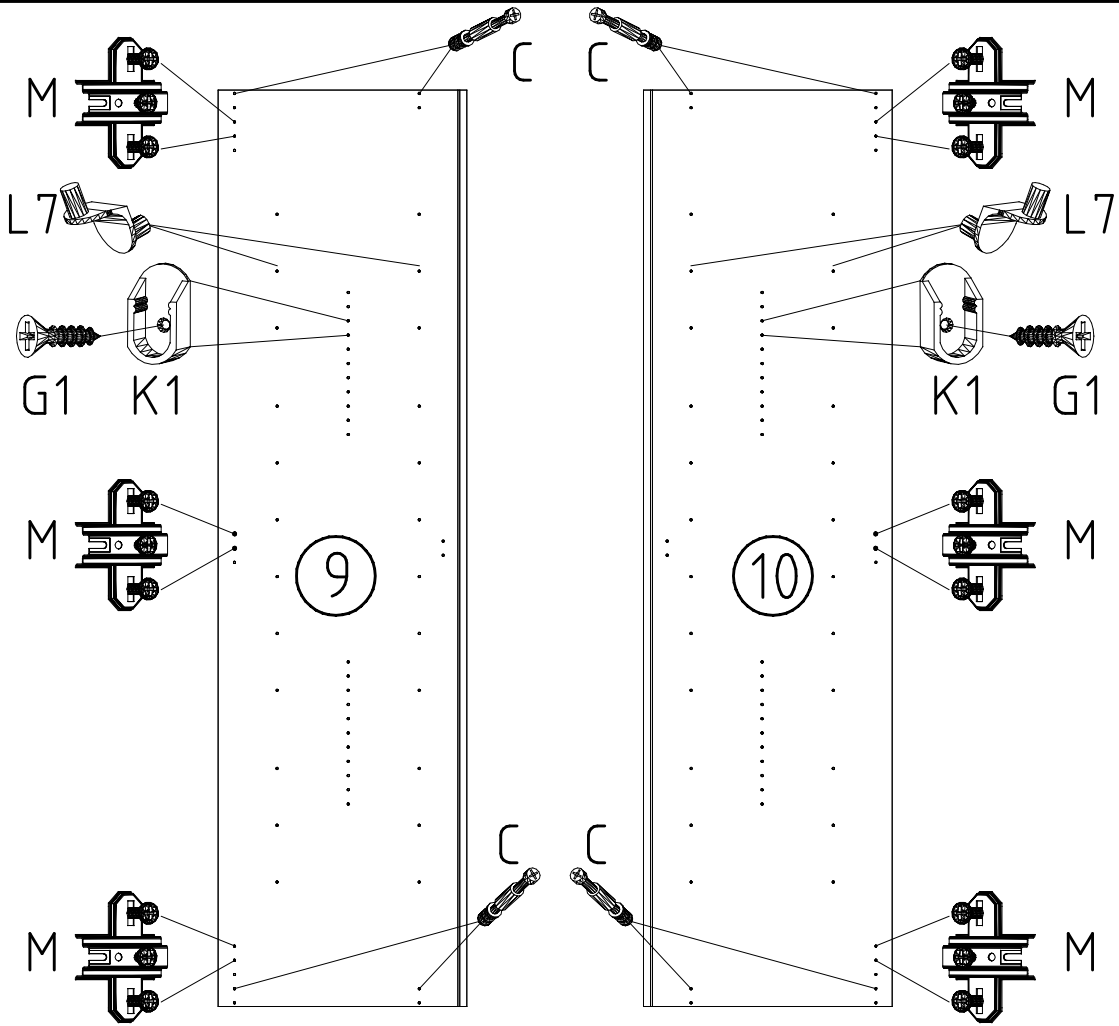
5



-  L7
- 111 610
3,5 x 15 mm  G1
- 121 370  M
- 112 268  K1
- 117 001  A
- 111 102 
-  

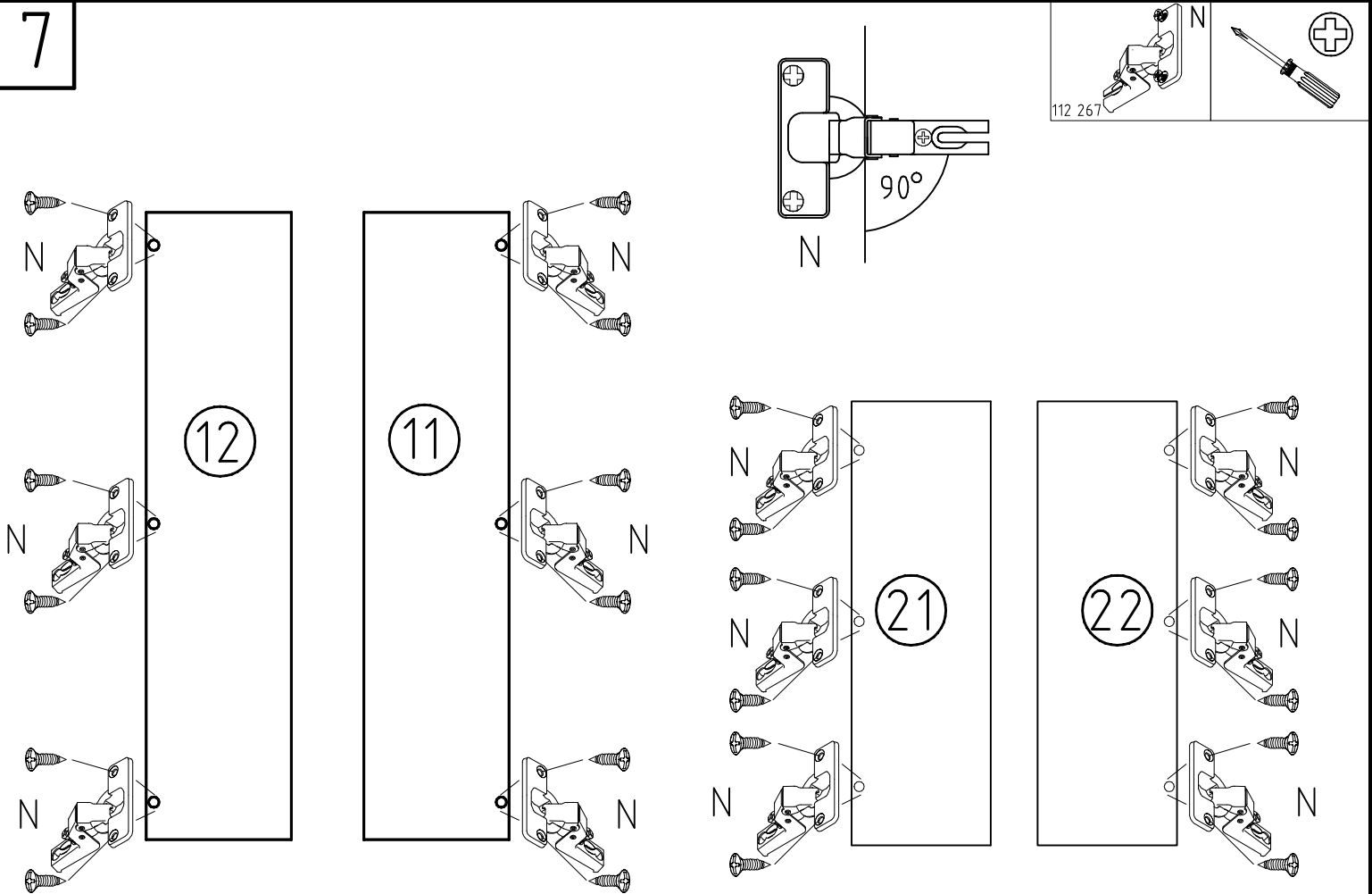


6

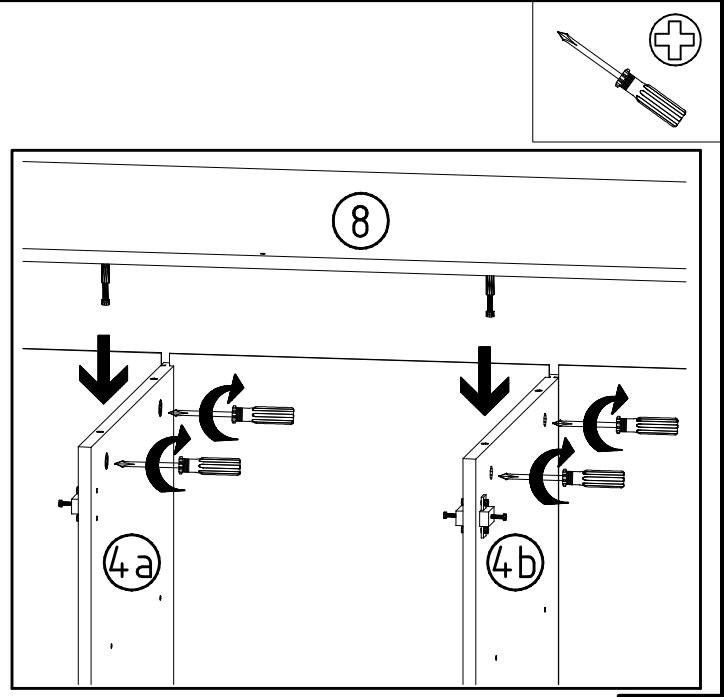
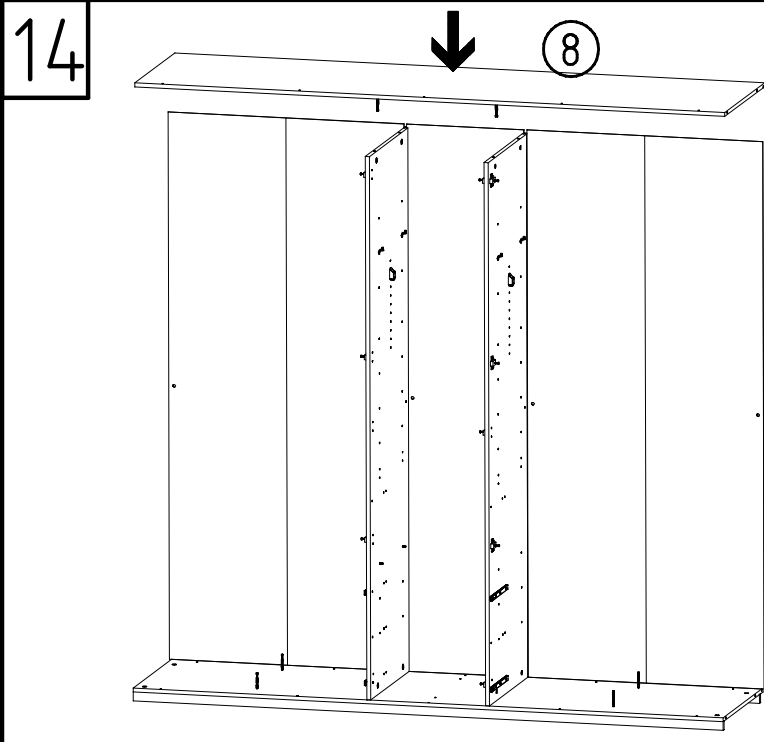
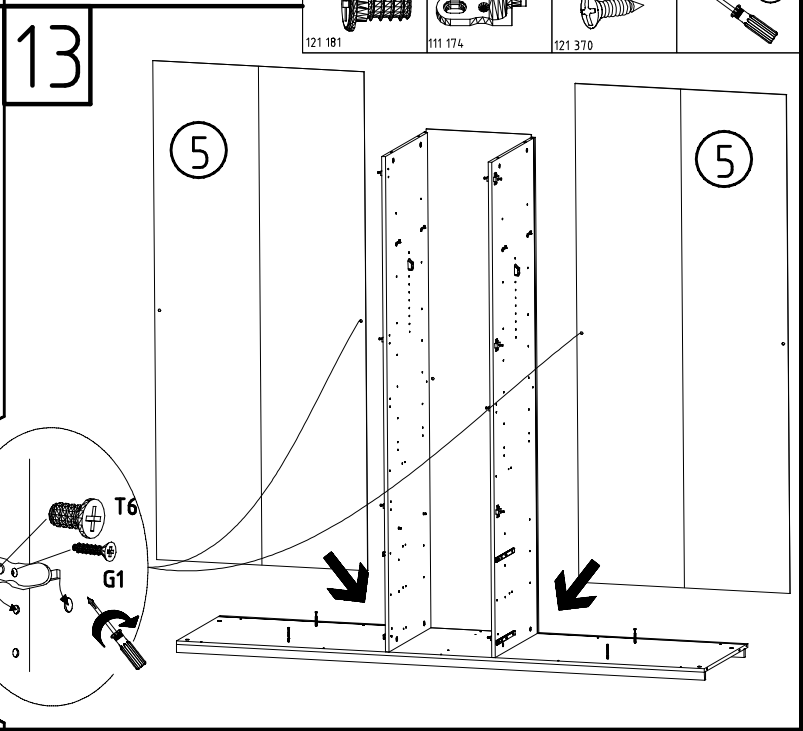
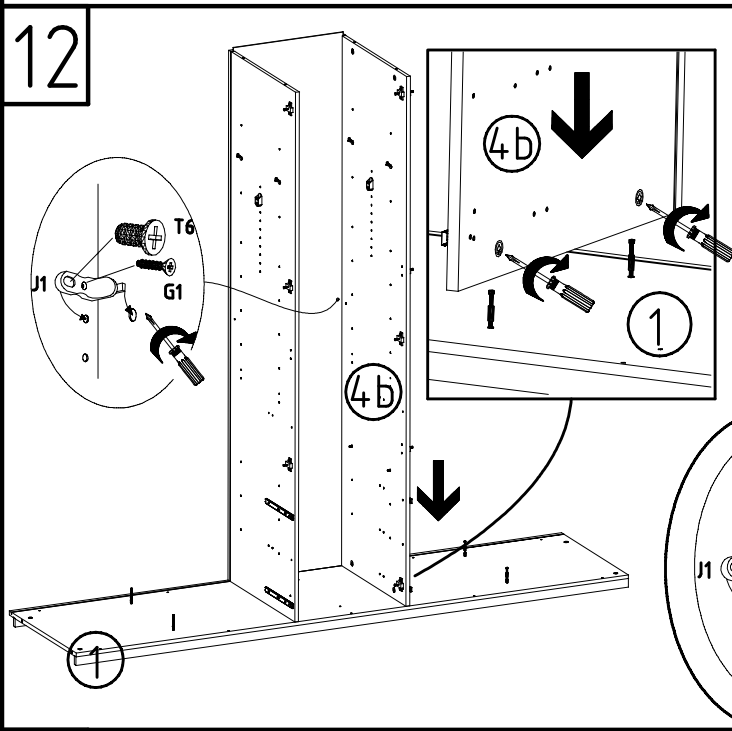
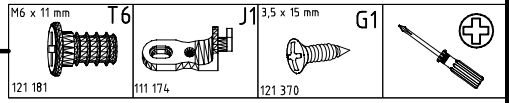
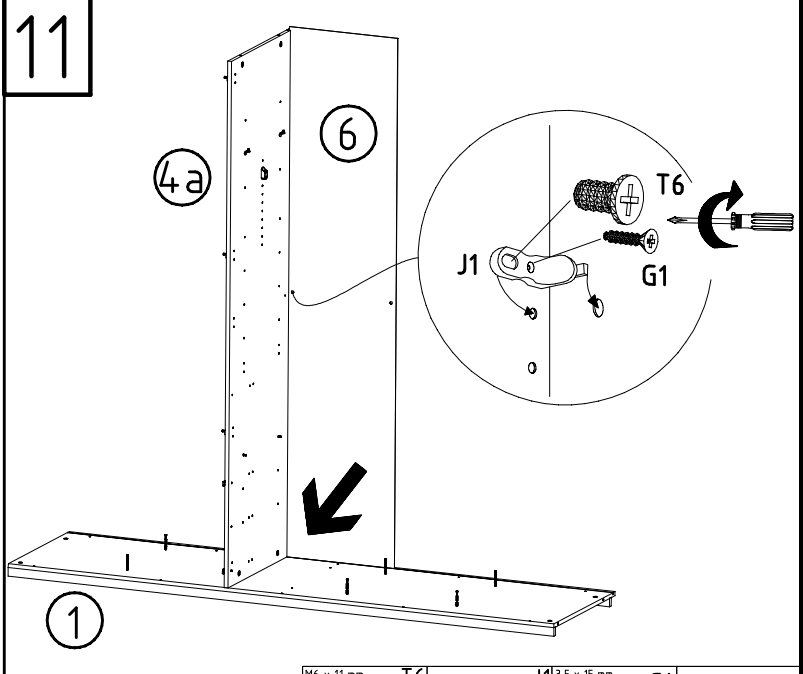
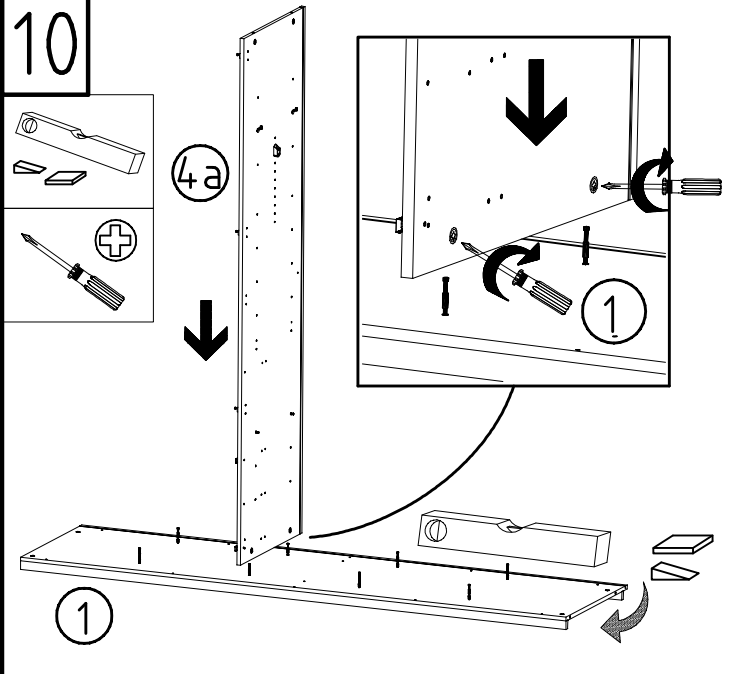


	L7
111 610 3,5 x 15 mm	G1
121 370	M
112 268	K1
117 001	C
111 103	

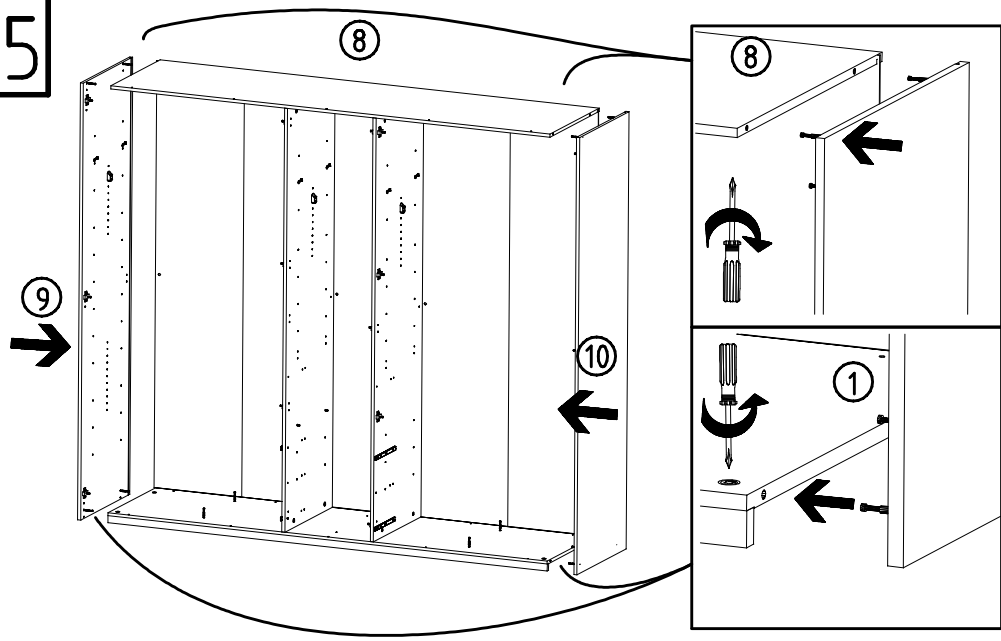
7



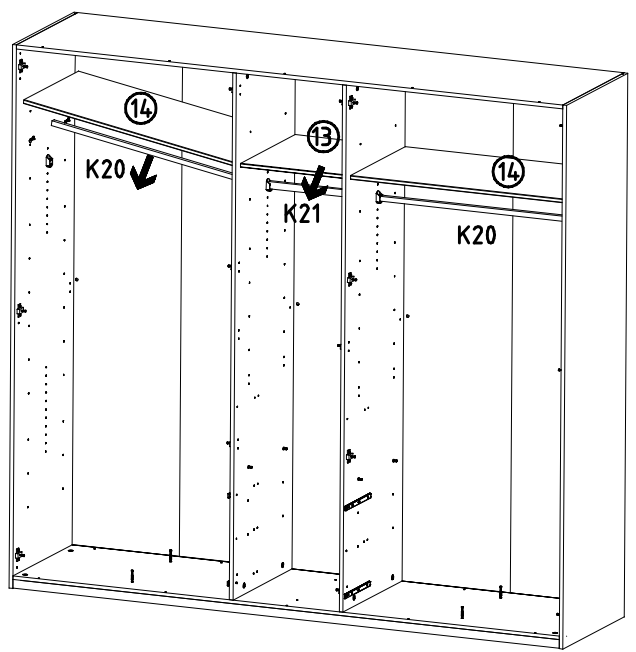
	N
112 267	



15

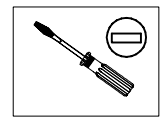
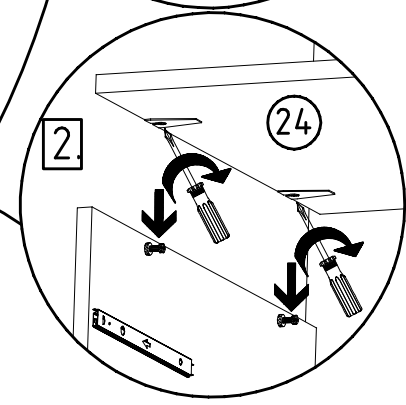
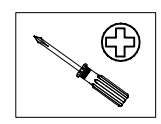
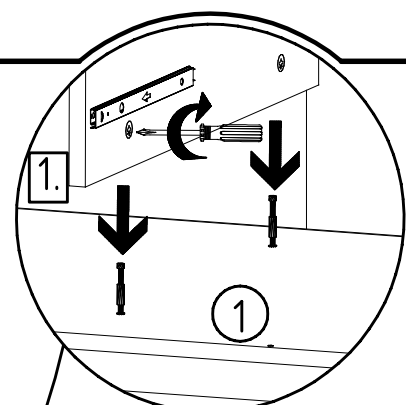
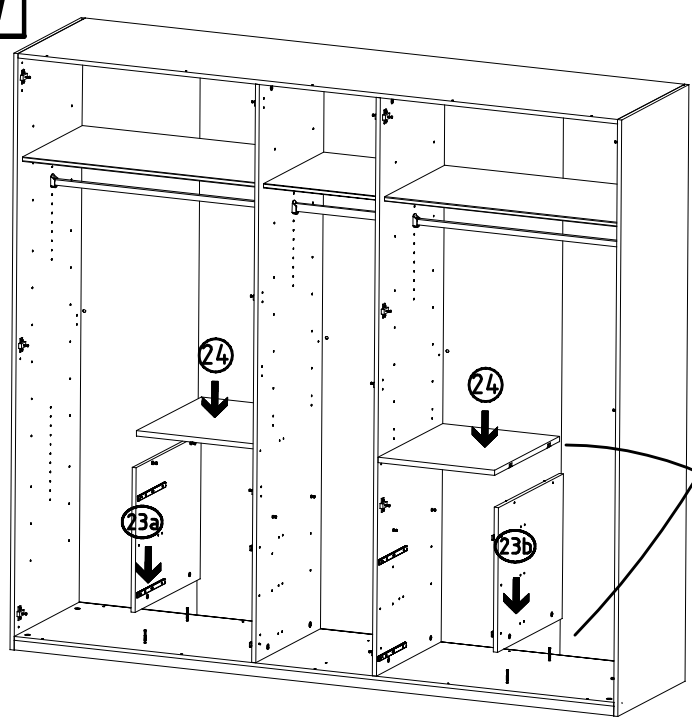


16

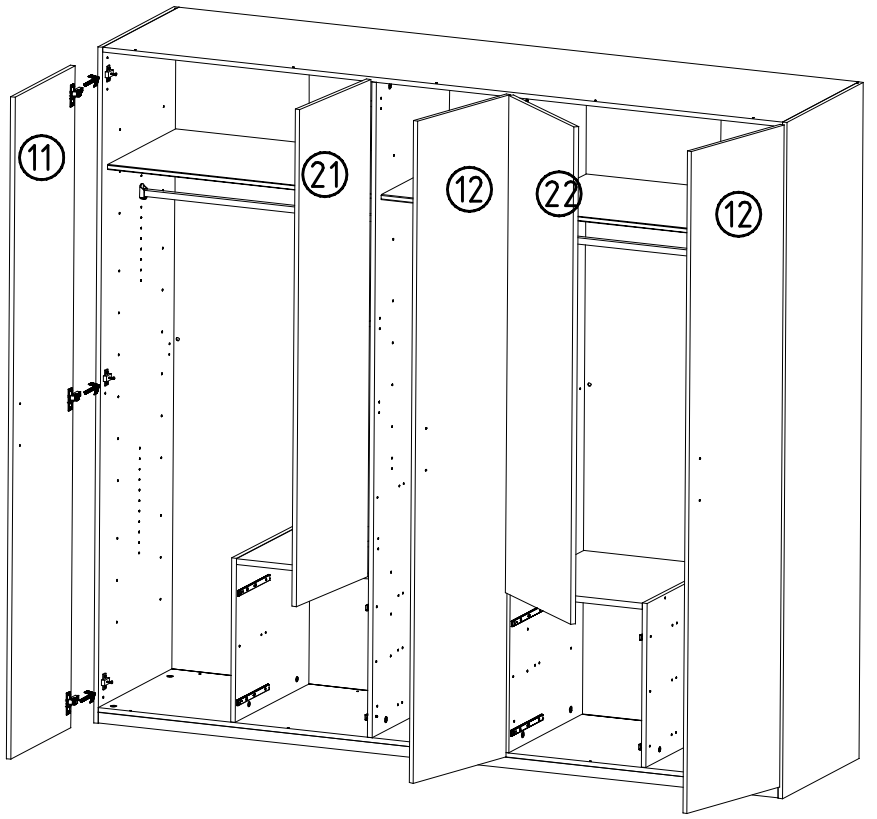
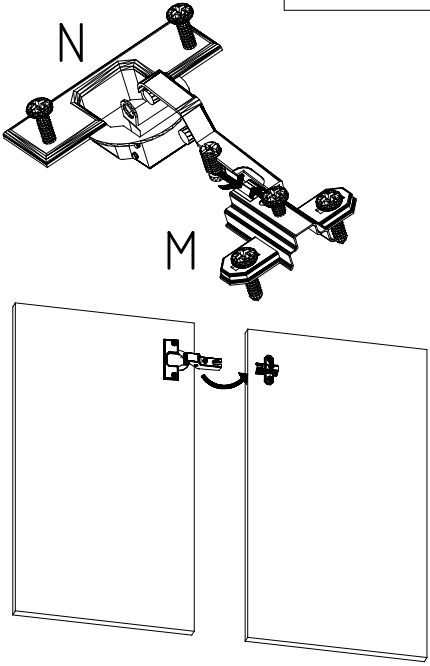
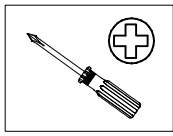


	K21
424mm	
112 403	
	K20
870mm	
112 402	

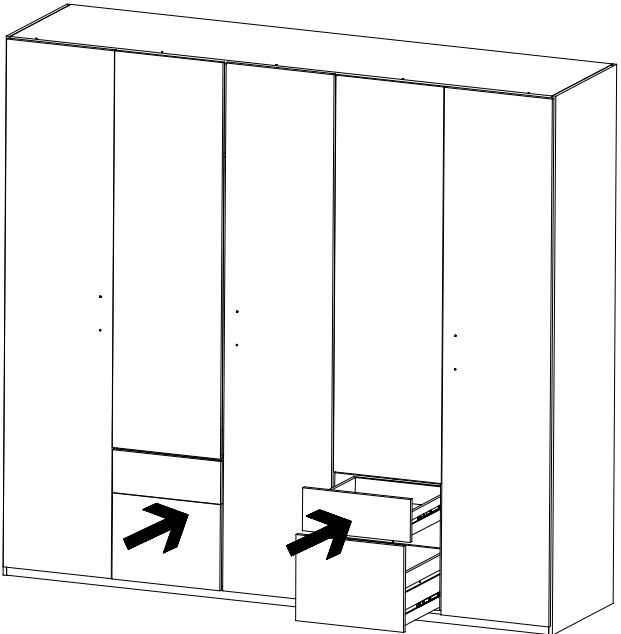
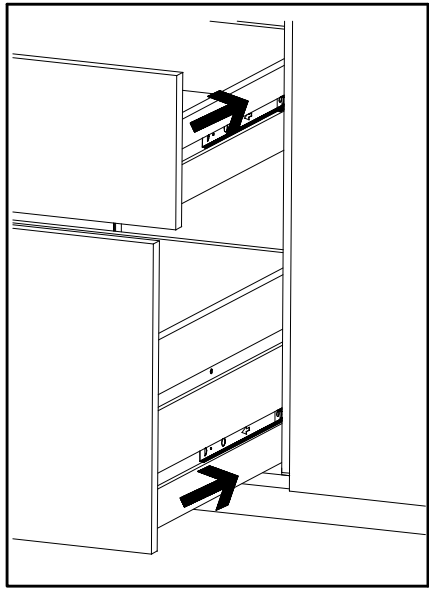
17



18



19

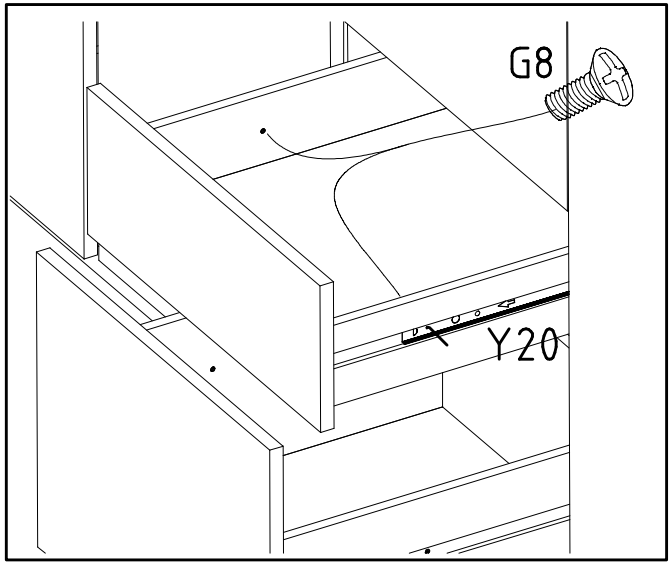
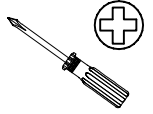


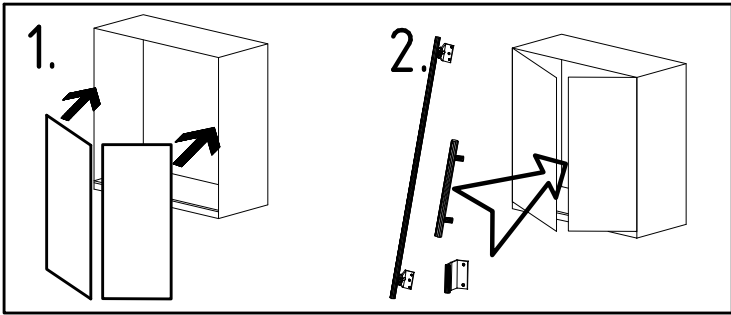
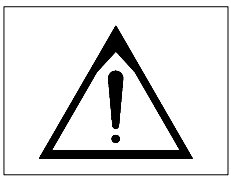
20

M4 x 9 mm G8

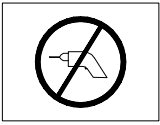
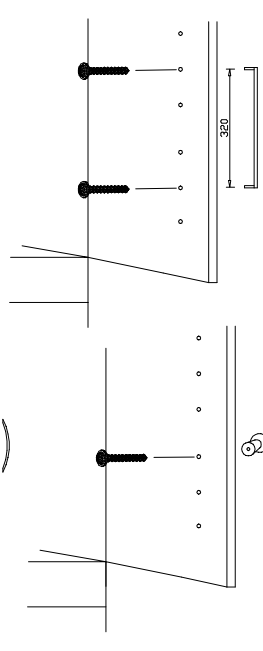
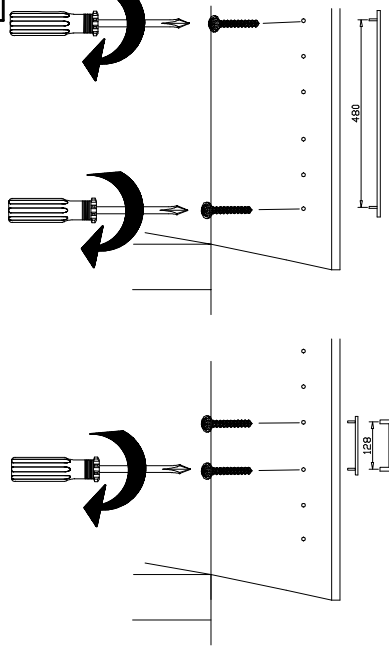
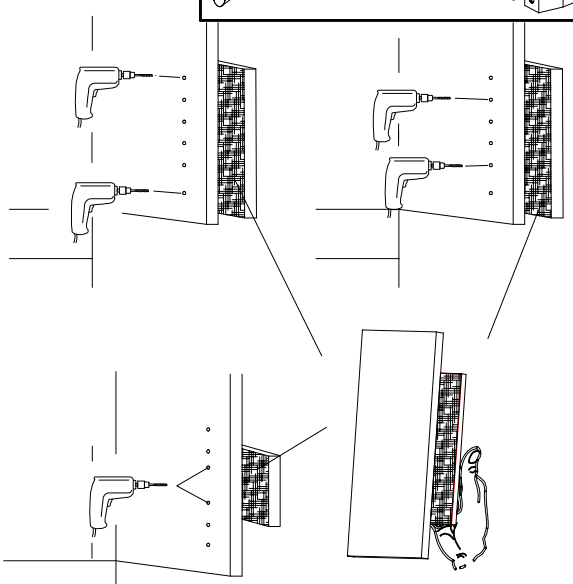
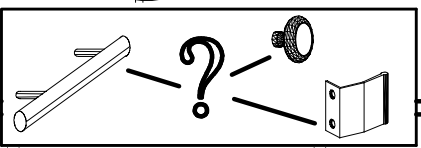
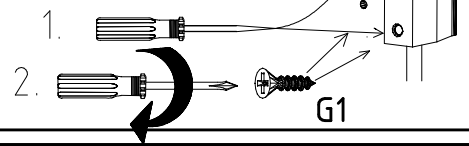
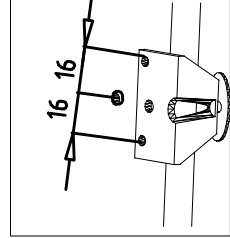
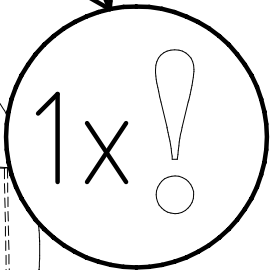
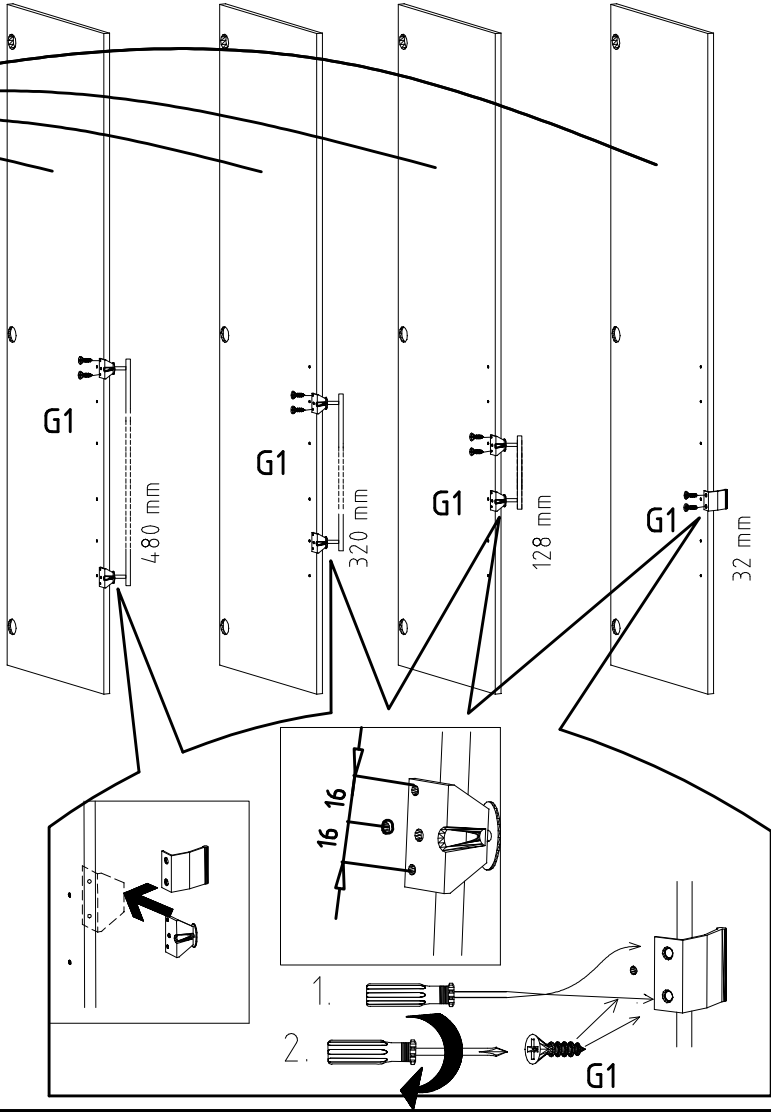
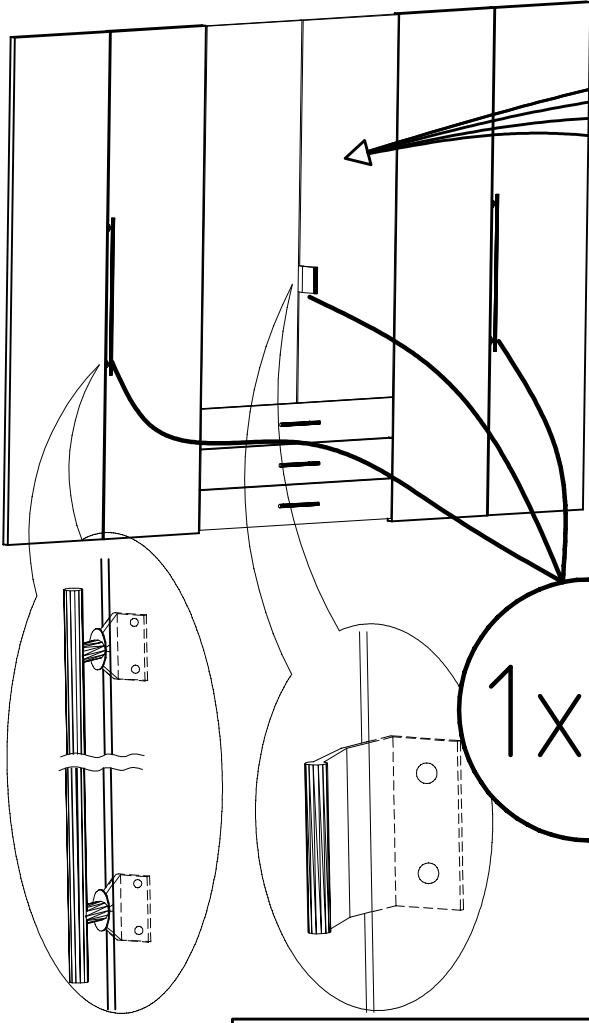


111 015





3,5 x 15 mm 121 370 	G1	4,0 x 12 mm 122 625 	G56
----------------------------	----	----------------------------	-----



	SP27
4 X 27mm 122620 4,0x22 122 609 	G49

