



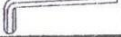


## Assembly Instruction

**Thank you for your purchase. Before discarding packaging material be sure you have located all the parts including the necessary hardware and tools listed on the instruction sheet below.**

**caution: Read before unpacking Assemble parts."Sharp exposed staple tips can cause injury. For your Protection, please remove any exposed staples used in packaging.**

### Hardware List

NO	FIGURE	DESCRIPTION	Q' TY
A		LONG HEX BOLT 5/16X3-1/2"	4
B		SHORT HEX BOLT 5/16X2-1/4"	7
C		SPRING WASHER	11
D		FLAT WASHER	11
E		ALLEN WRENCH	1

### INSTRUCTIONS:

**step one:** please take out all the parts from the box, Be careful with it. And put all the parts on the soft surface.

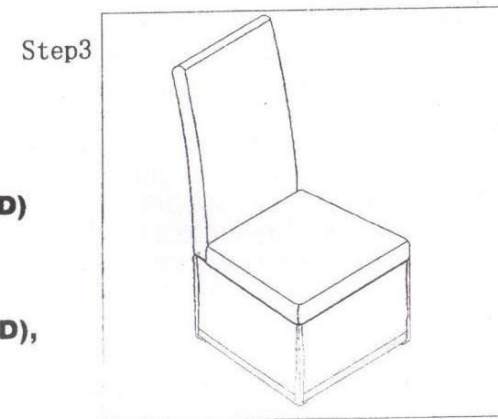
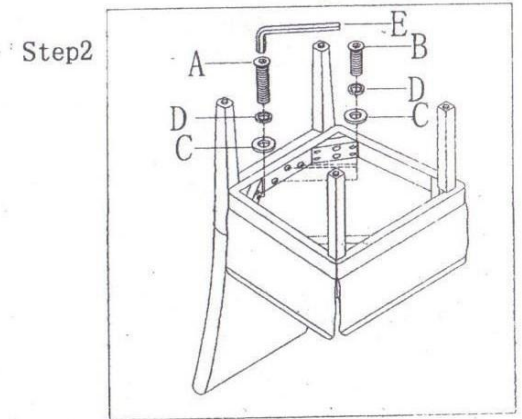
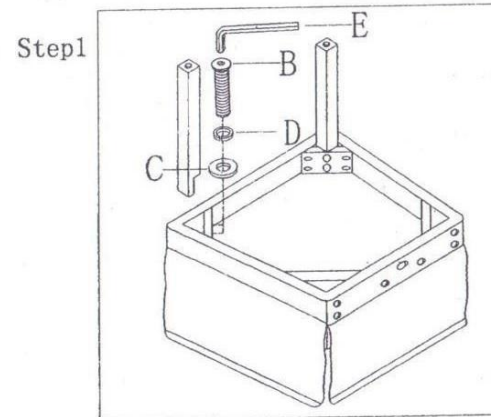
**Step two:** please assemble the front legs with corner of chair seat frame with Flat Washer (D), Spring Washer (c), Short Hex Bolt 5/16 X2-1/4" (B). By Allen Wrench (E). **Be Careful: Don't be tighten. See step 1.**

**Step three:** Assemble chair seat back corner frame with chair back with Flat washer (D), Spring Washer (C), Long Hex Bolt 5/16" X3-1/2" (A), by Allen wrench (E). **Be careful: Don't be tighten. See Step 2.**

**Step Four:** Assemble chair seat back centre frame with chair back with Flat Washer (D), Spring Washer (C), Short Hex Bolt 5/16 x2-1/4" (B), By Allen Wrench (E). **Be careful: Don't be tighten. See step 3.**

**Step Five:** Please upright chair on the flat floor. Right now, please be tighten all the bolts. See step 3.

Thank you for your purchase.



**Assemble is completed**