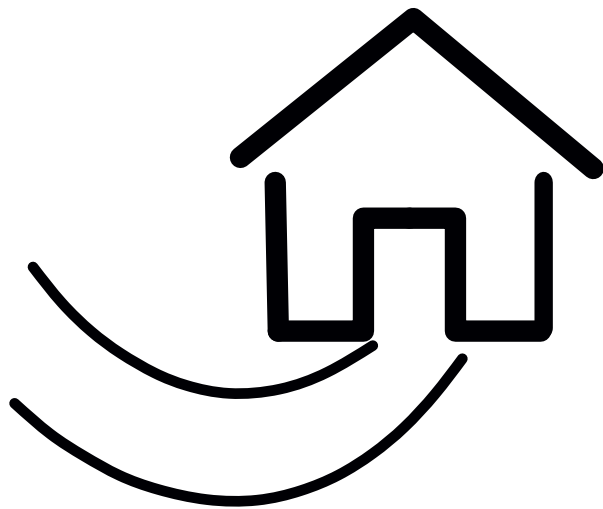


HAPPINESS HAPPINESS INSTALLATION



CAUTION

Parts are placed at the bottom of the product.

- If you have any questions with the product, please contact us by:
- **Email: customerservice@zoy-living.com**
(we will reply to you within 24 hours)

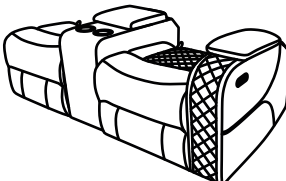
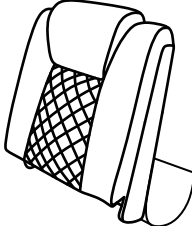
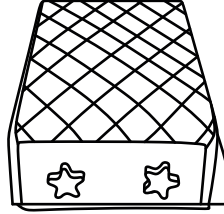
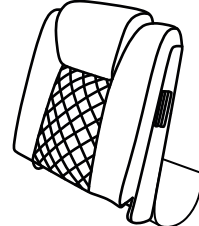

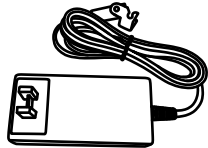
Assembly Instructions

RD042AF52RC

This product comes in One package. Carefully remove all of components from the packaging and set aside for assembly.

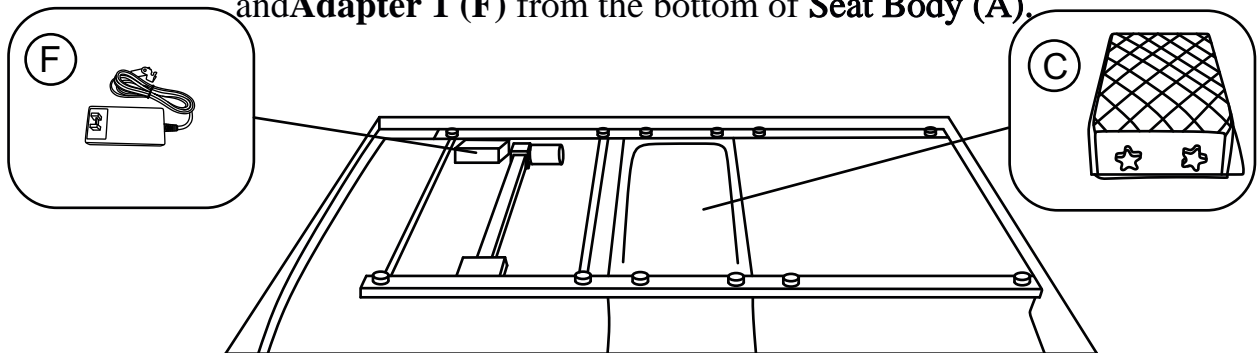
CAUTION
DO NOT use any sharp objects to open plastic-wrapped components as this may result in damage to the product or components.

Package Contents

			
Part A*1 Seat Body	Part B*1 Left Backrest	Part C*1 Console Backrest	Part D*1 Right Backrest
			
Part E*1 Right Ear	Part F*1 Adapter 1		

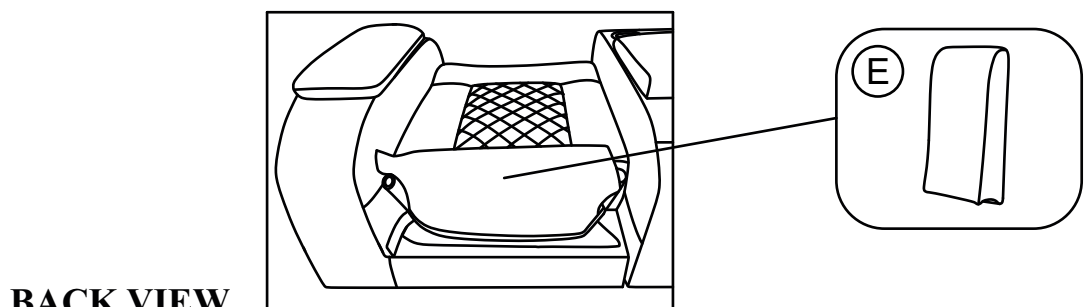
STEP 1

Open the zipper to take out **Console Backrest (C)** and **Adapter 1 (F)** from the bottom of **Seat Body (A)**.



BOTTOM VIEW

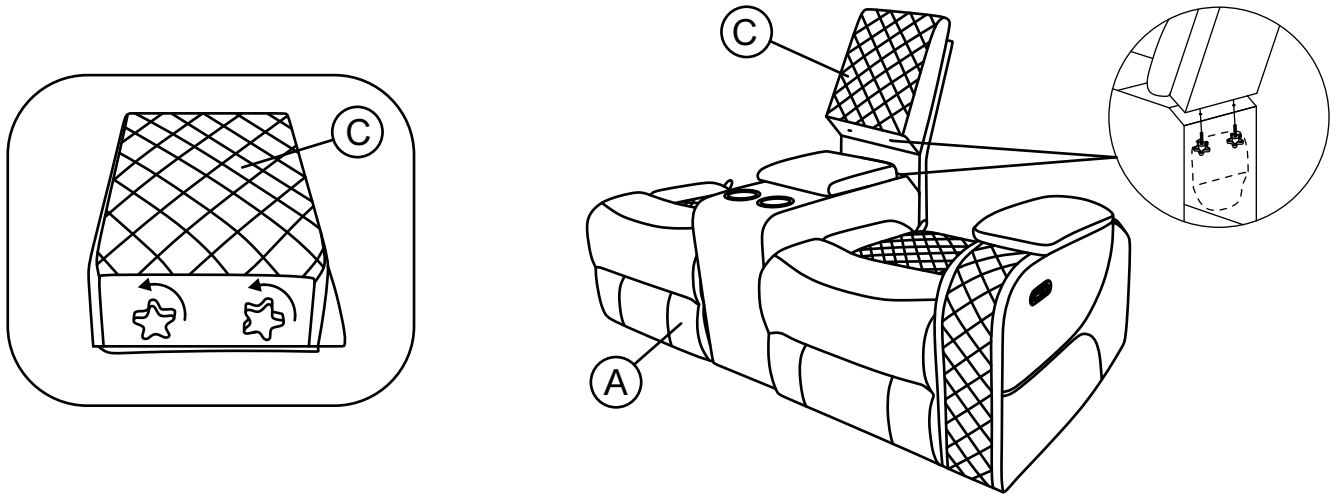
Take out the **Right Ear (E)** from the back of the **Seat Body (A)**.



BACK VIEW

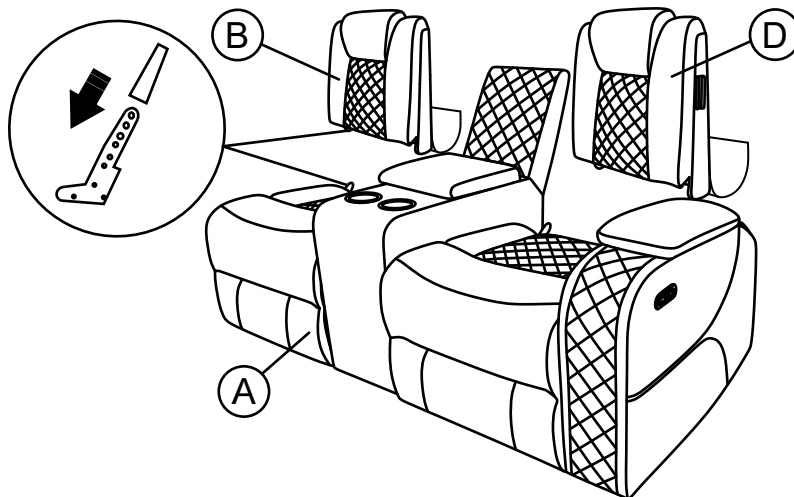
STEP 2

Take out Threaded Star Knobs from the Console Backrest (C).
Attach the Console Backrest (C) to the Seat Body (A) with Threaded Star Knobs.



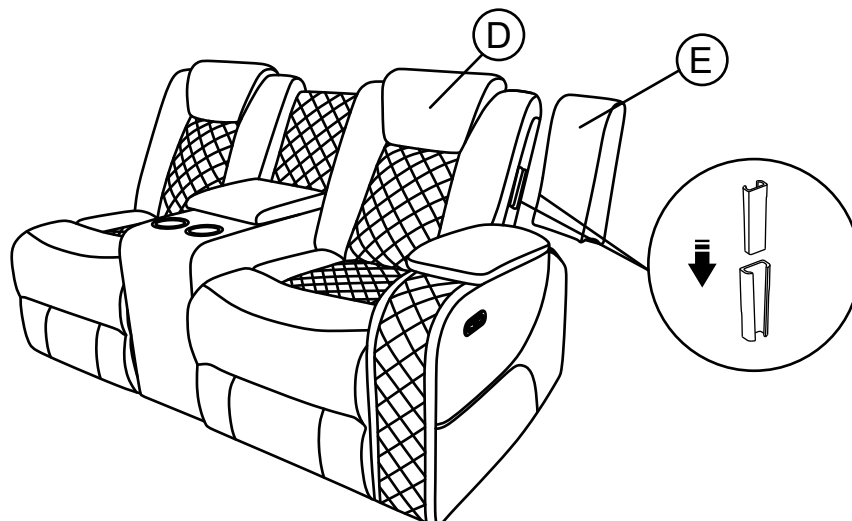
STEP 3

Attach Left Backrest (B) and Right Backrest (D) to the Seat Body (A).



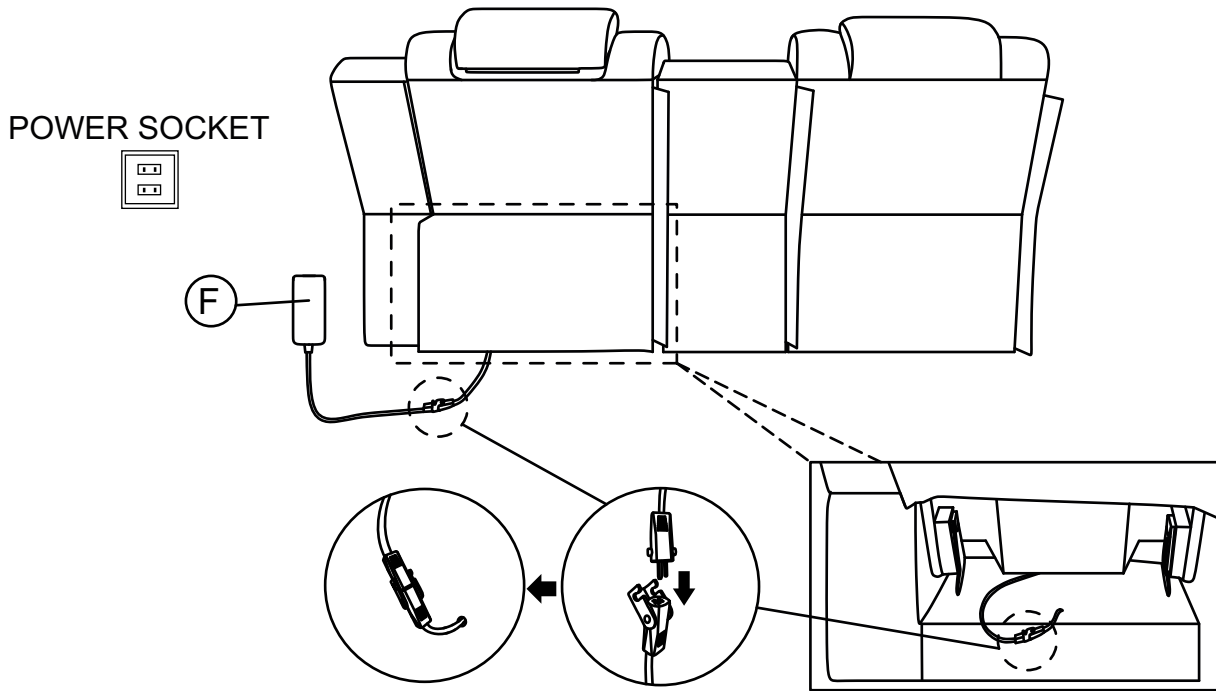
STEP 4

Attach Right Ear (E) to Right Backrest (D).



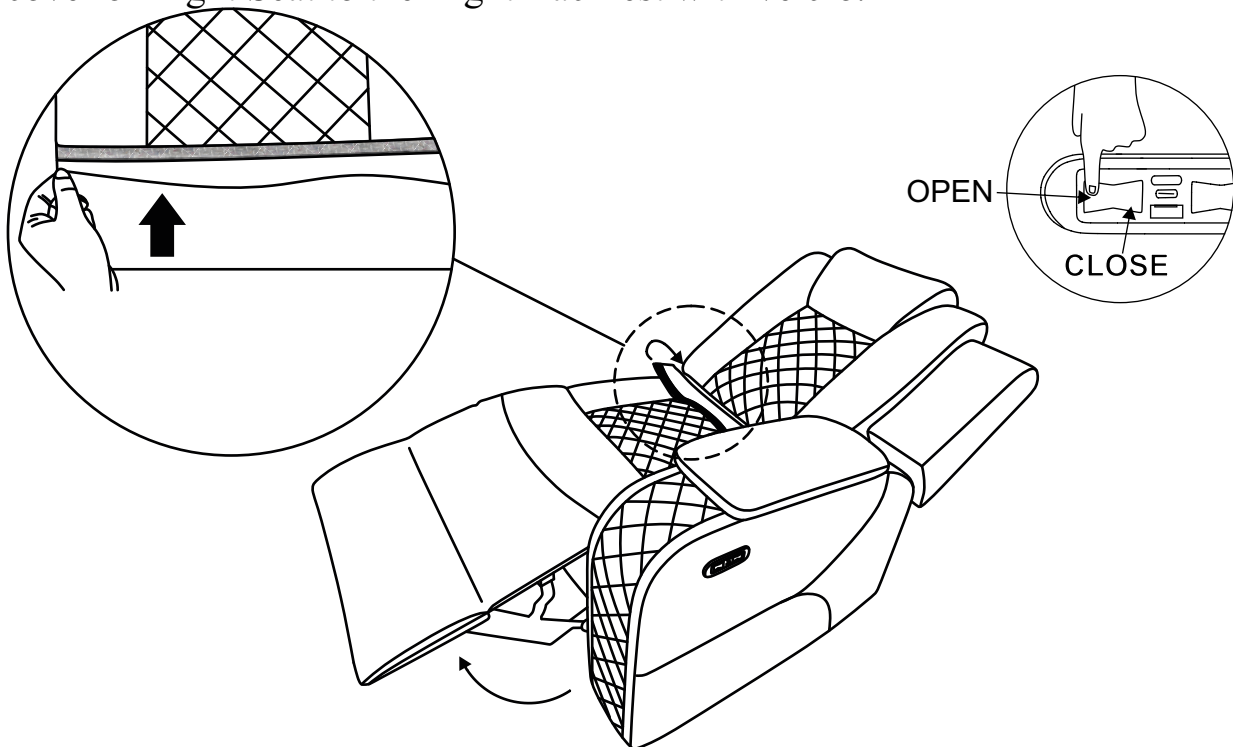
STEP 5

Connect the power connection plugs as shown behind the Seat Body.
Attach Adapter 1 (F) to Power Socket.

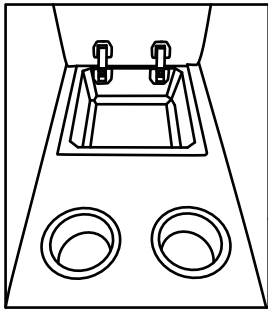


STEP 6

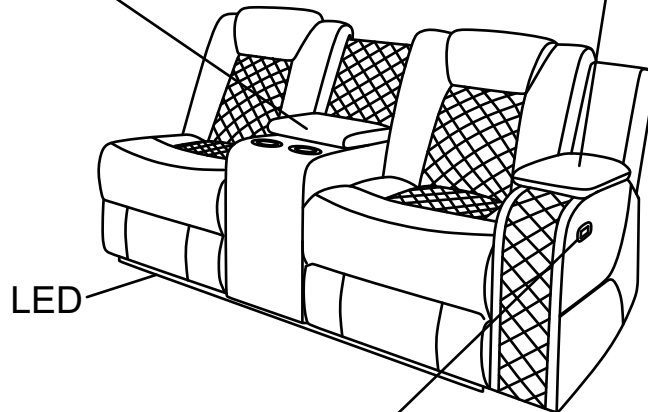
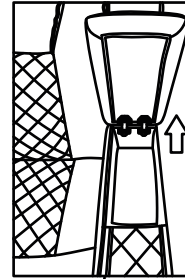
Recline the Right Seat by holding the "OPEN" button on the control panel. Attach the cover of Right Seat to the Right Backrest with velcro.



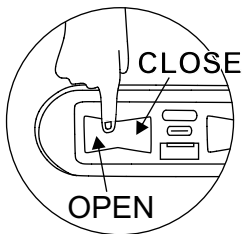
Storage box



Storage box in the armrest.

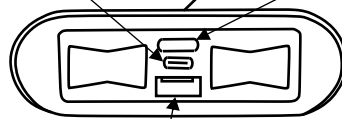


LED



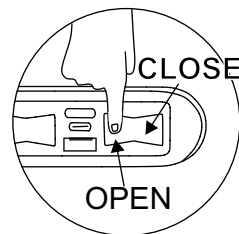
FOOTREST CONTROL

Type C port

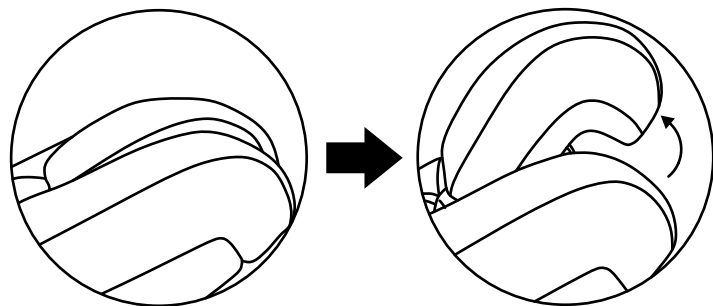


LED

USB port

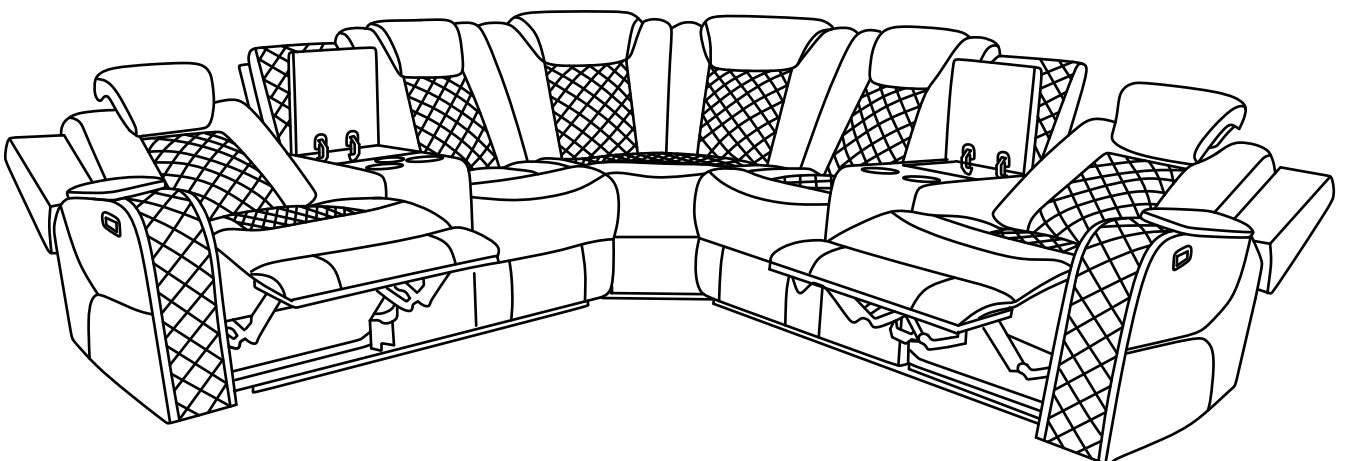
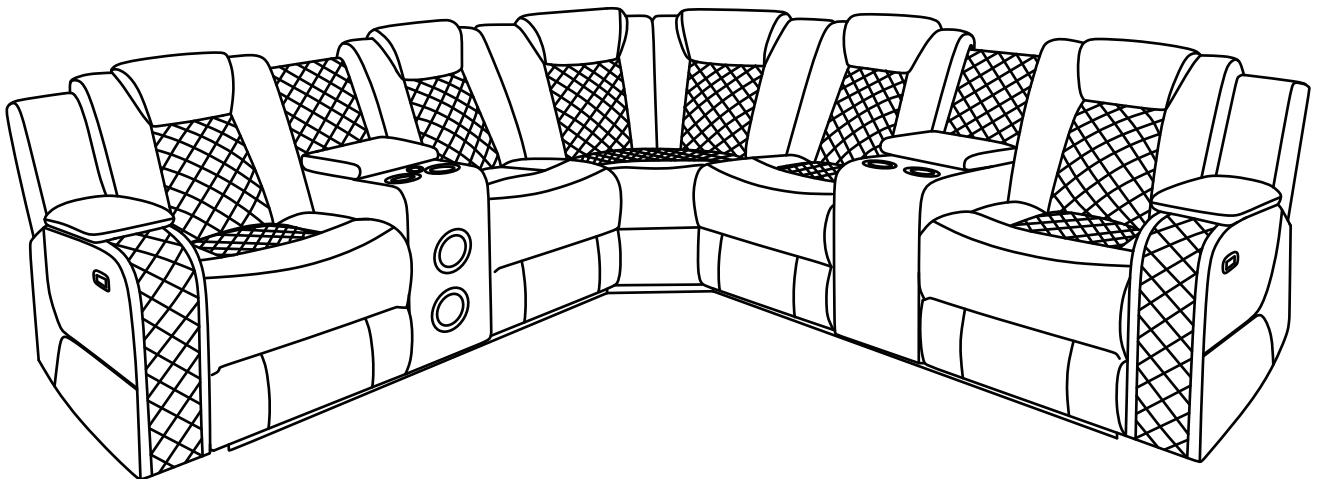
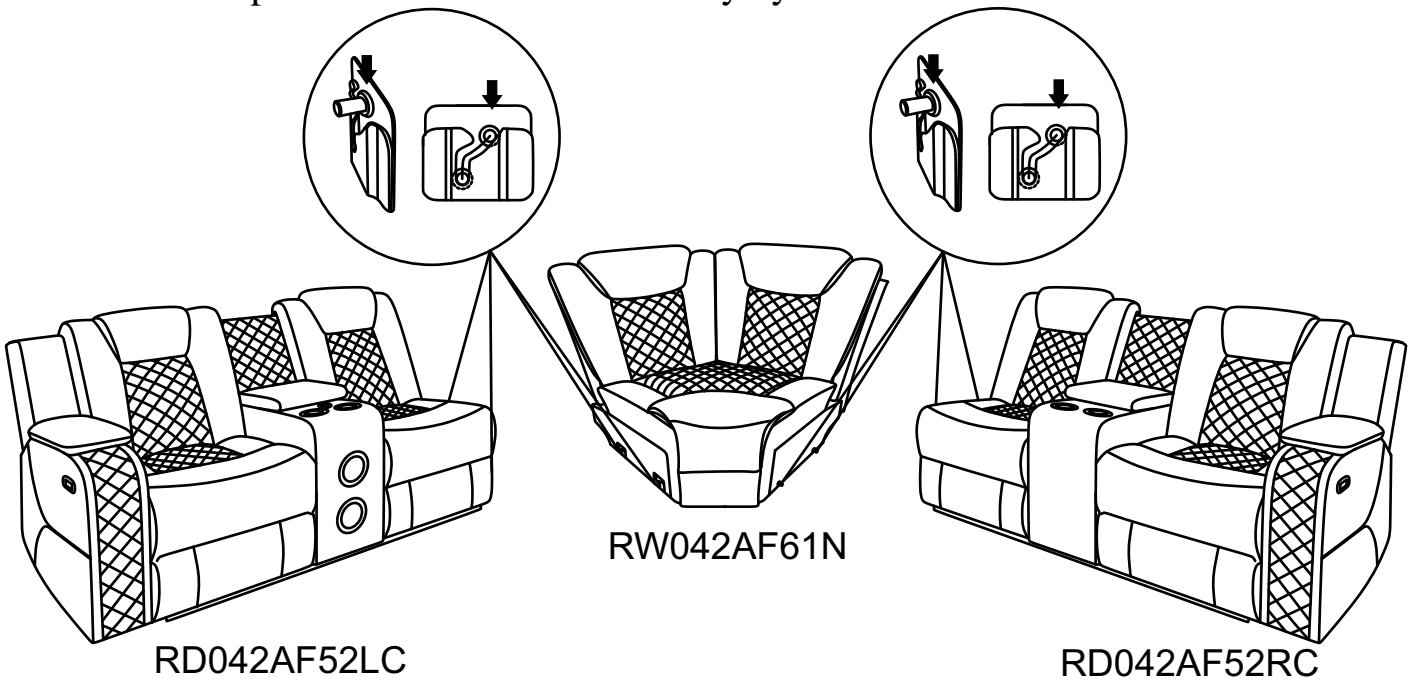


HEADREST CONTROL

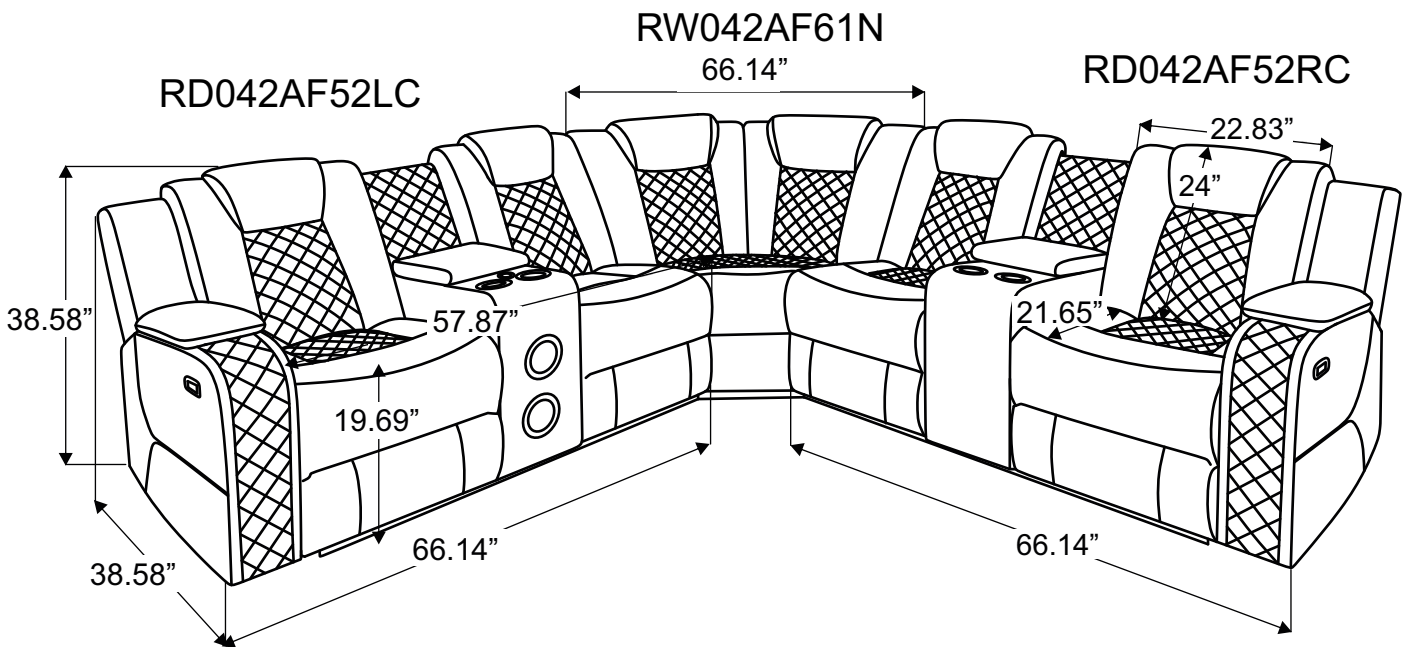


FINAL STEP

Connect the parts of the sectional assembly by means of the metal slots at the bottom.



SIZE DIMENSIONS



Warnings

1. Please check if the components of the chair are all included and can be used normally.
2. Assemble all components according to the instruction correctly before you connect the chair to the power.
3. Please DO NOT sit on the armrests or footrest to eliminate the risk of tipping over.
4. If the chair is damaged or doesn't match the website description, please send clear pictures of the product and label of the carton to our service team for further help.
5. If the recliner doesn't work, you may try the following measures for self-checking firstly:
 - a) Check if all the cables are connected;
 - b) Check if the light of transformer is on.If the chair still doesn't work, please feed the information back to our customer service in time and we'll help you solve the matter as soon as possible.
6. If you have any questions with the product, please contact us by:

Email: customerservice@zoy-living.com (we will reply to you within 24 hours)

