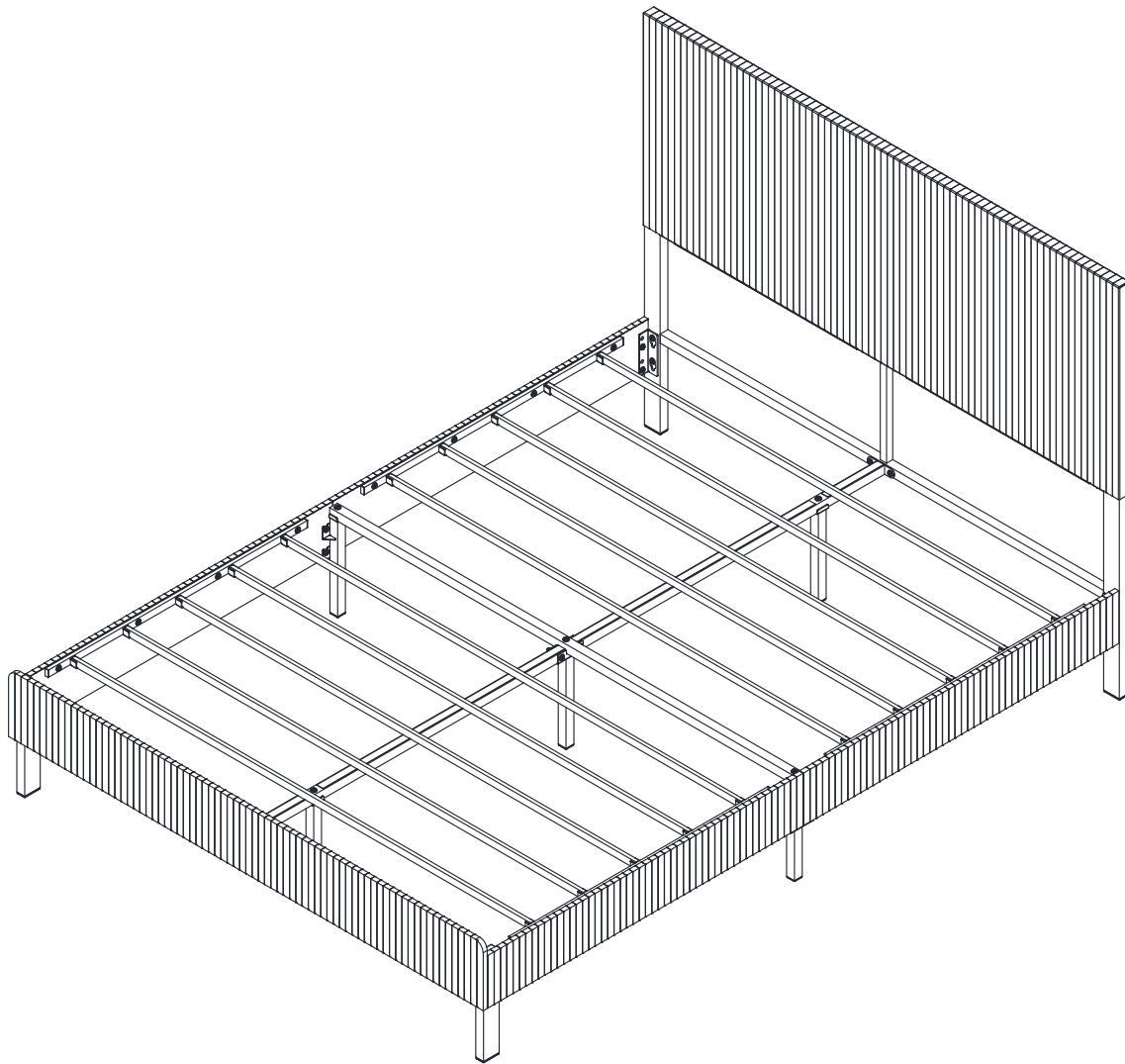
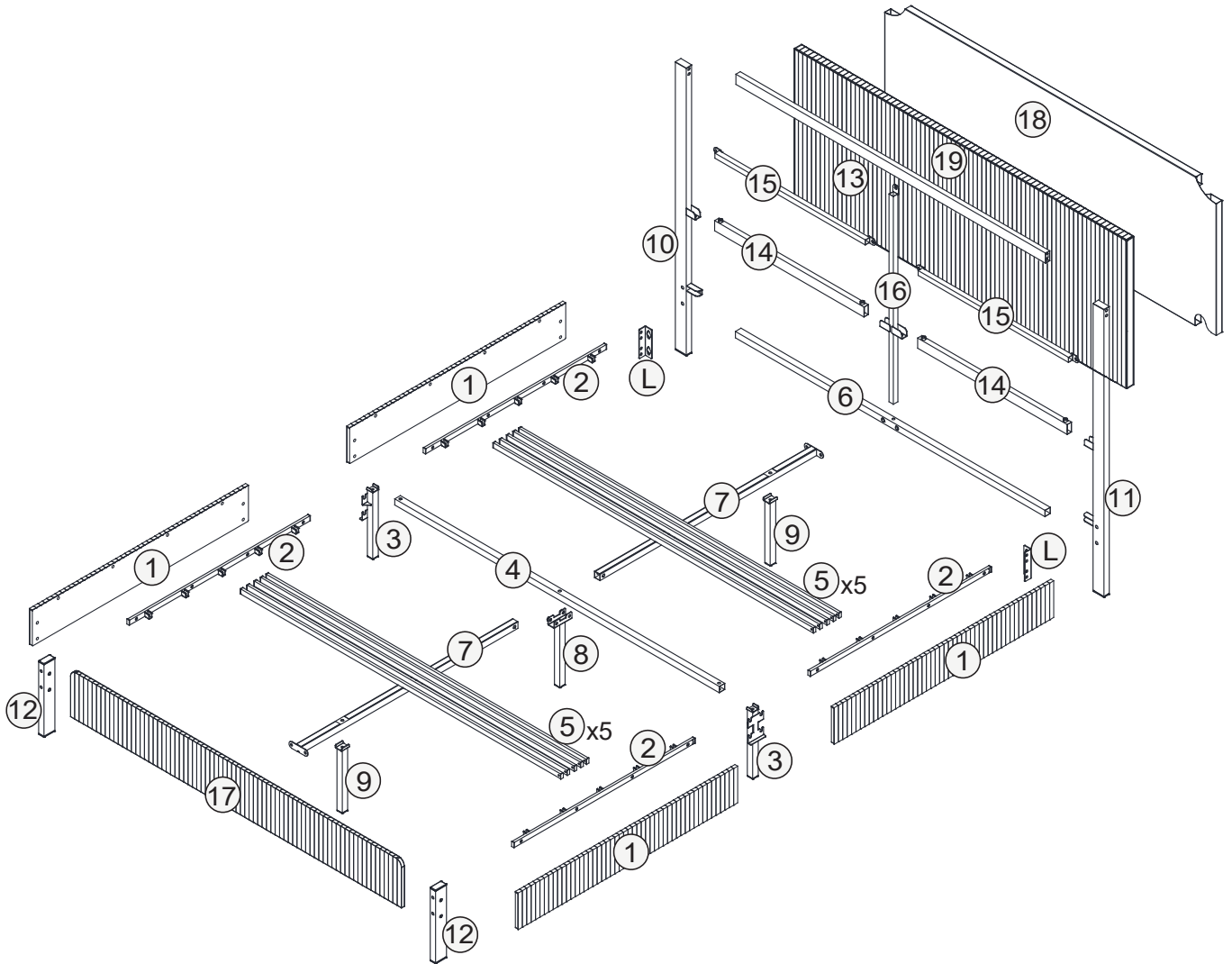


BED FRAME



Thank you for choosing our products, please assemble and use it following the instructions.

Assembly Instruction

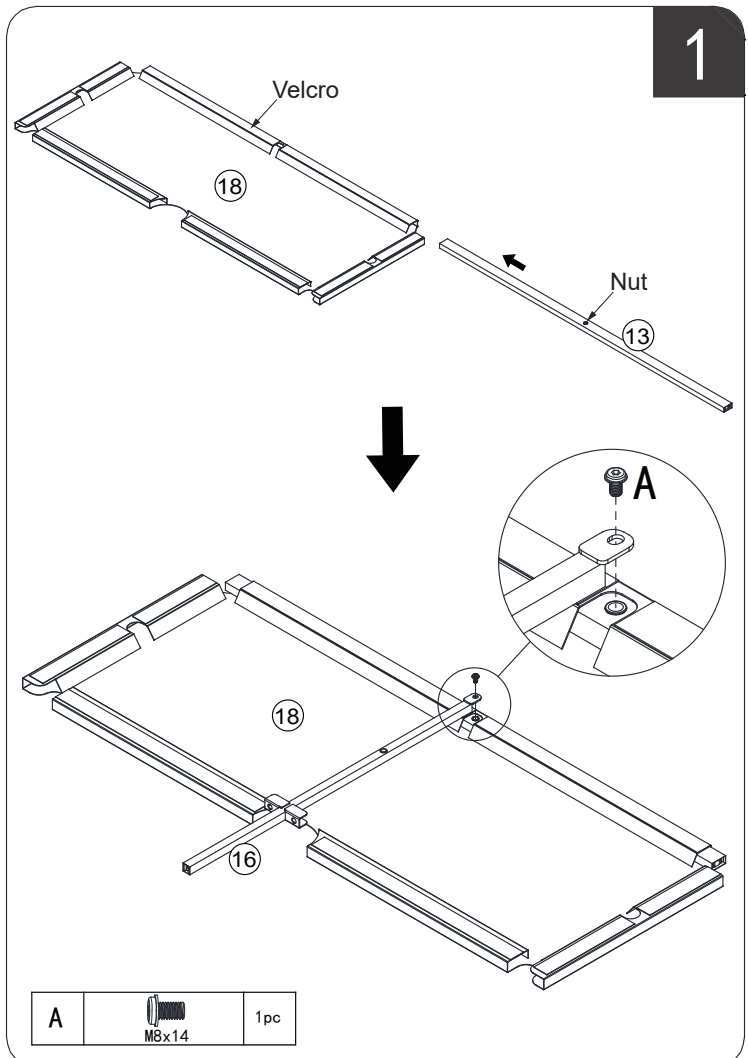
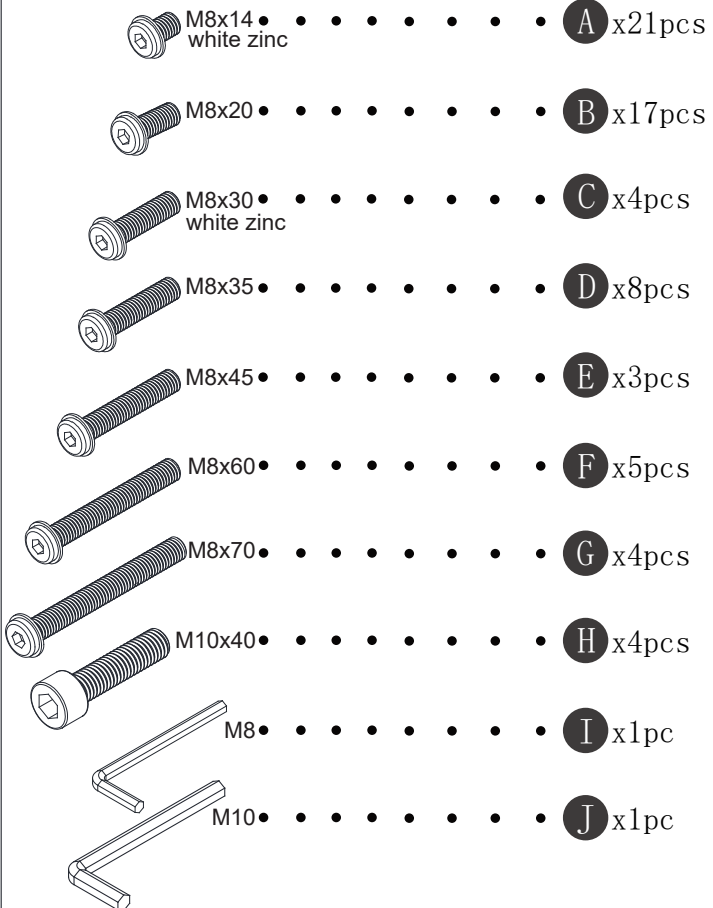
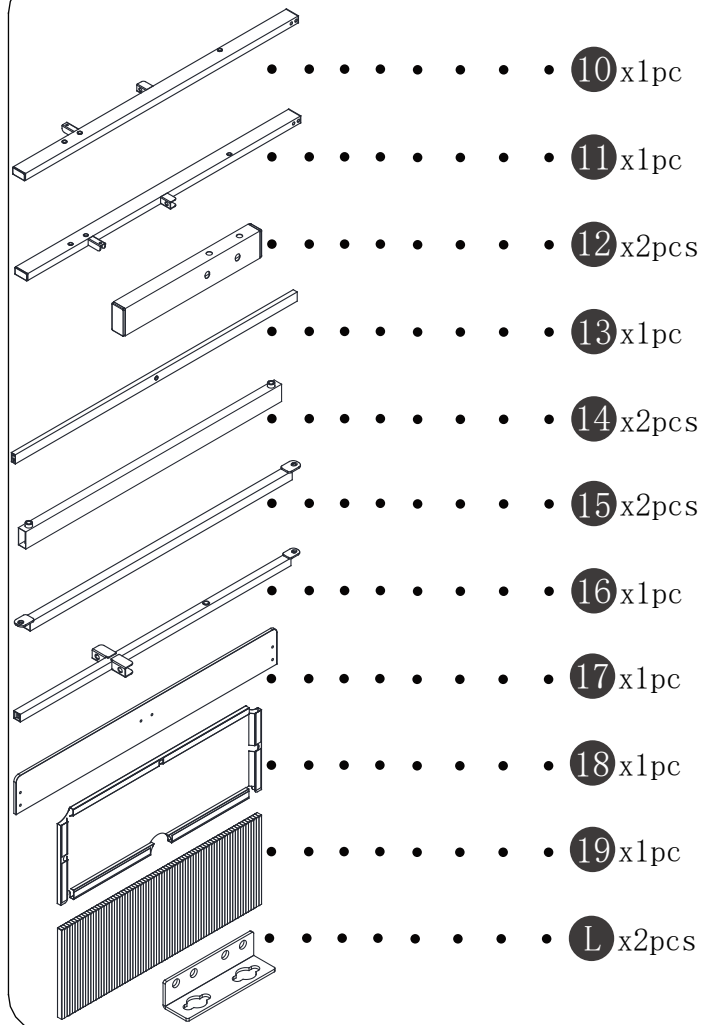
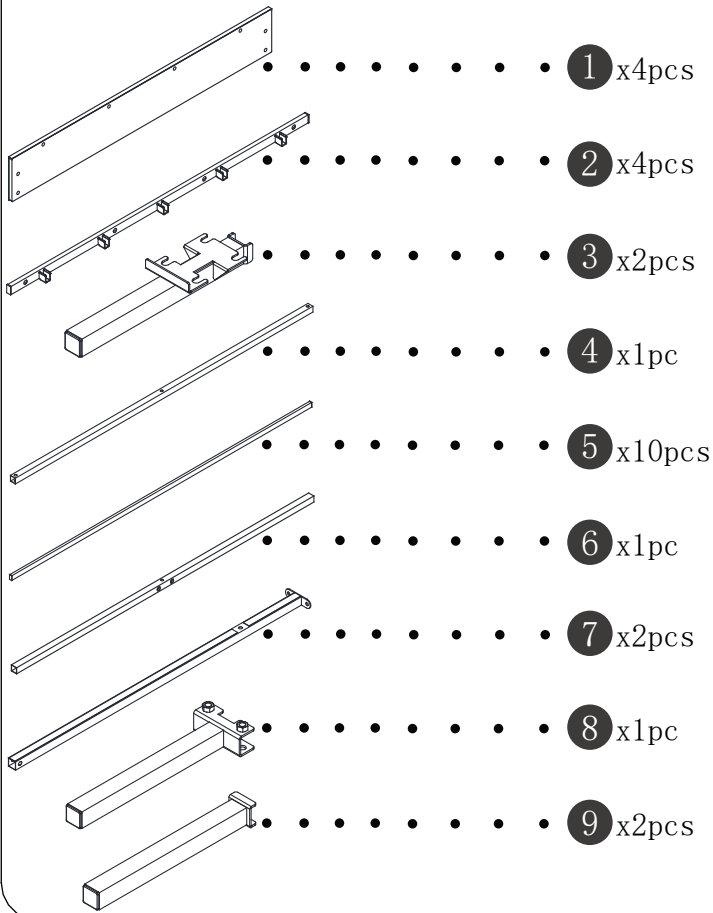


Important Note

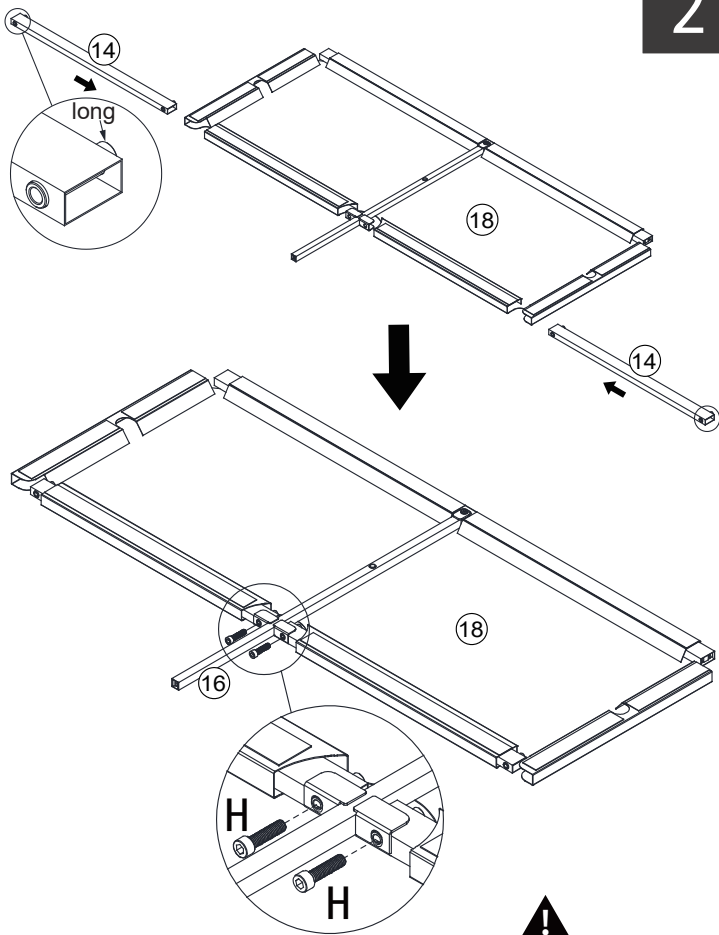
HARDWARE NOTE :

1. Two or more people are required for assembly
2. Do not screw on the bolts too tight unless the installation is done. Make sure all bolts are tightly screwed before you use it.


Components



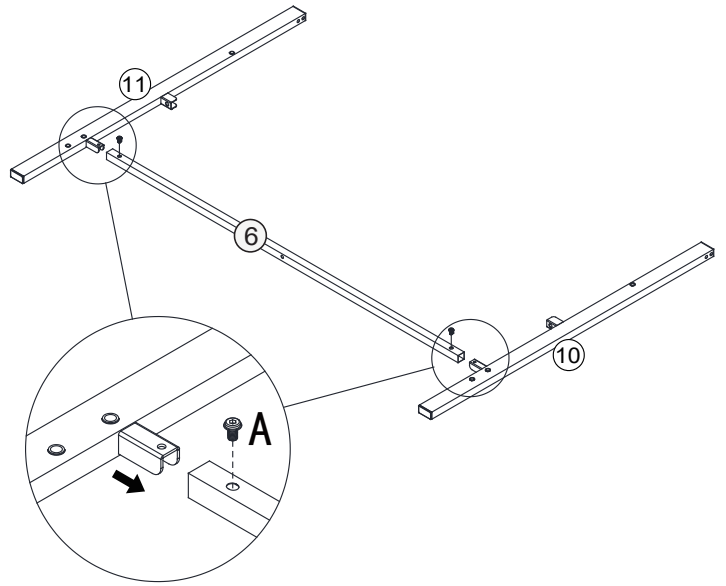
2




H		2pcs
M10x40		

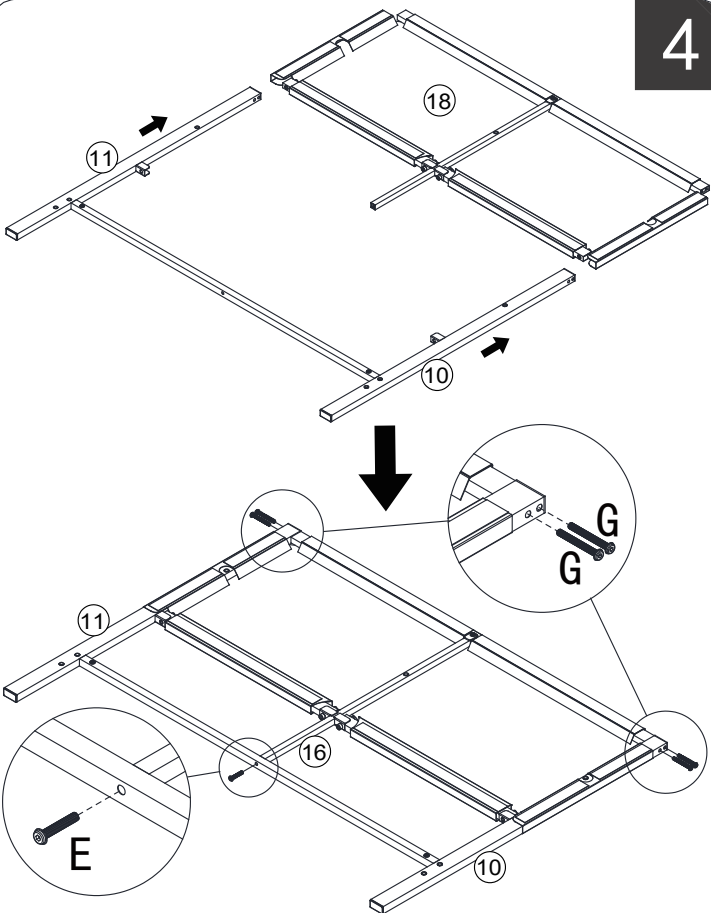
 The screws are retracted by 50 percent.



3




A		2pcs	white zinc
M8x14			

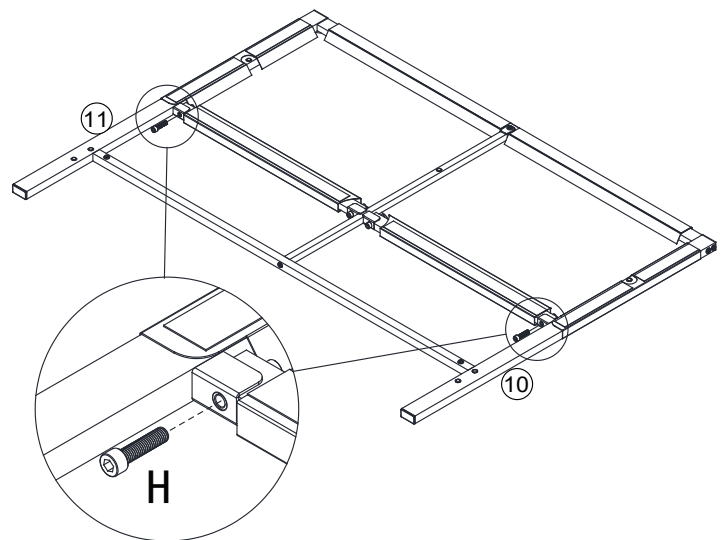
4




E		1pc
M8x45		
G		4pcs
M8x70		

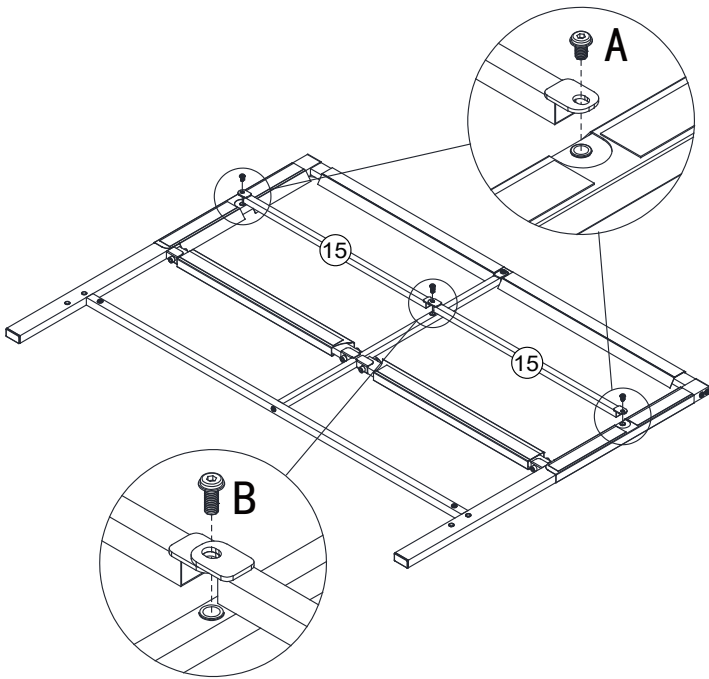
 Fully tighten all the screws.



5



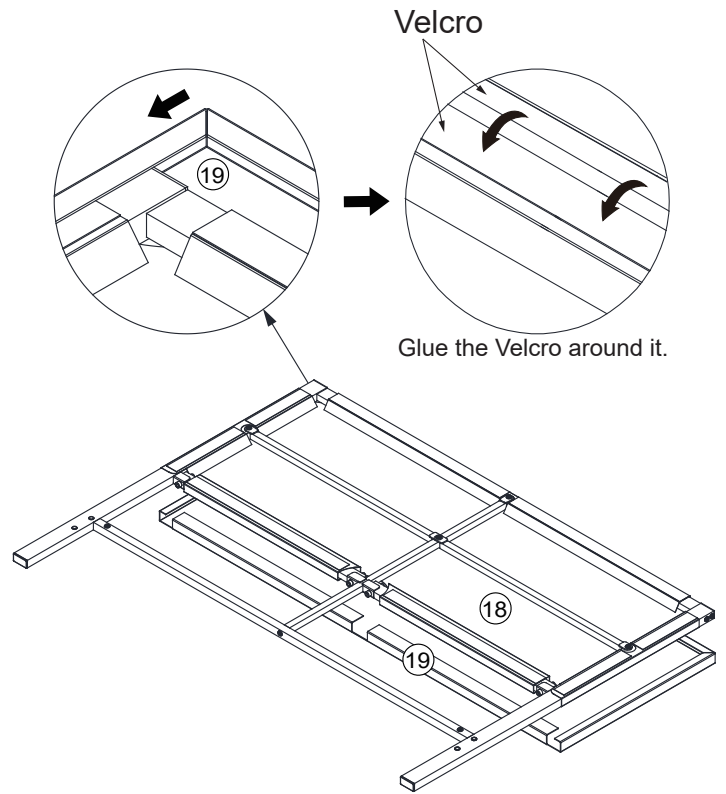
H		2pcs
M10x40		

6

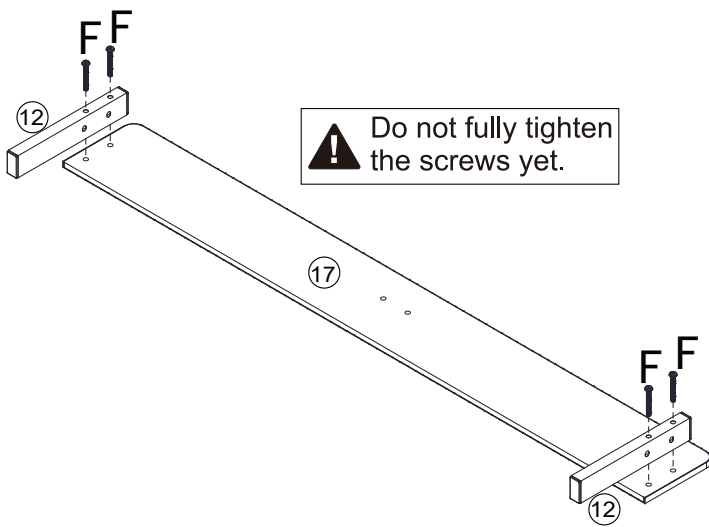


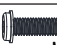
A		2pcs	white zinc
B		1pc	

7



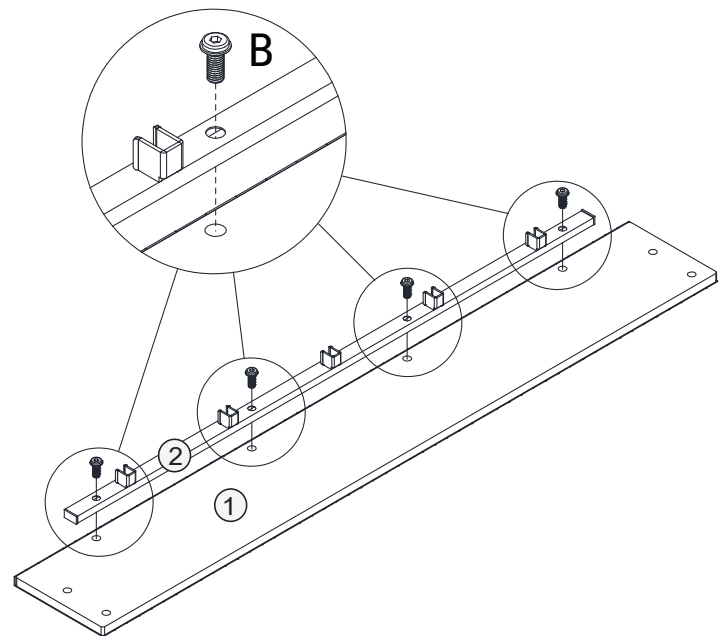
8




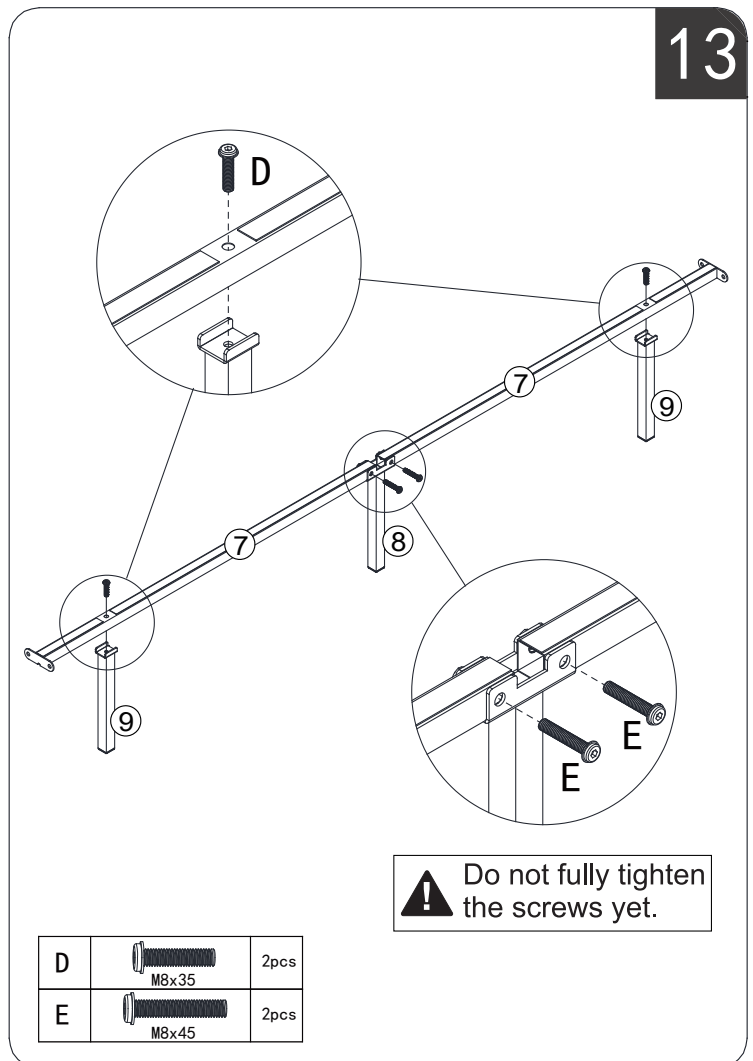
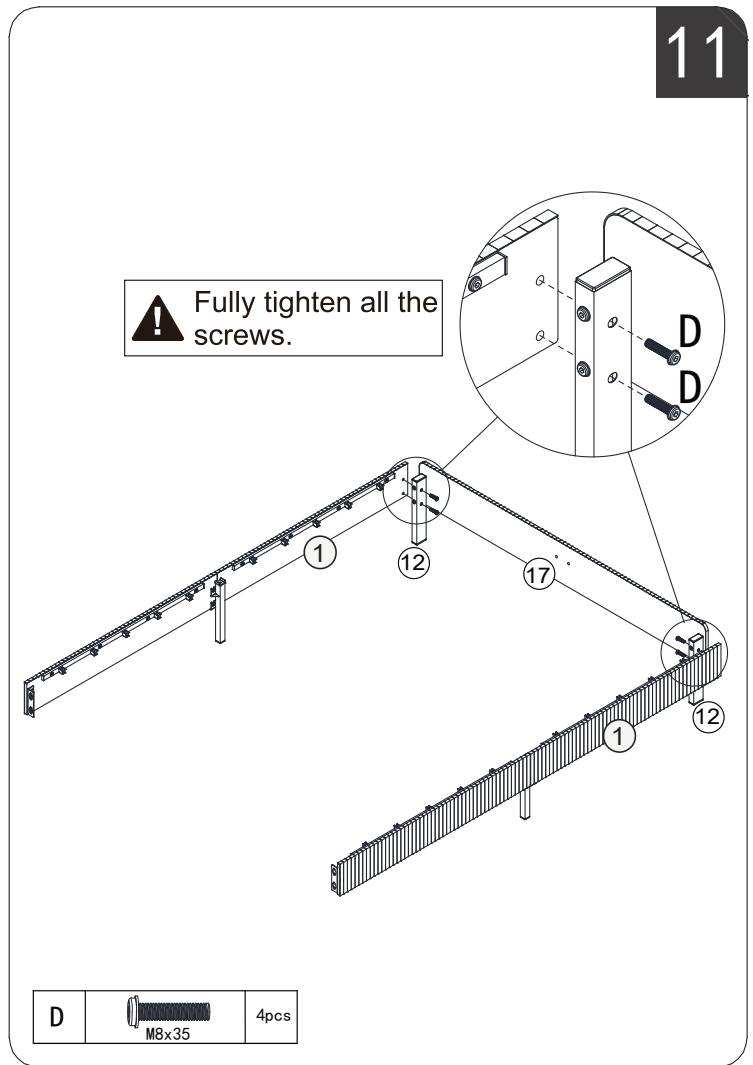
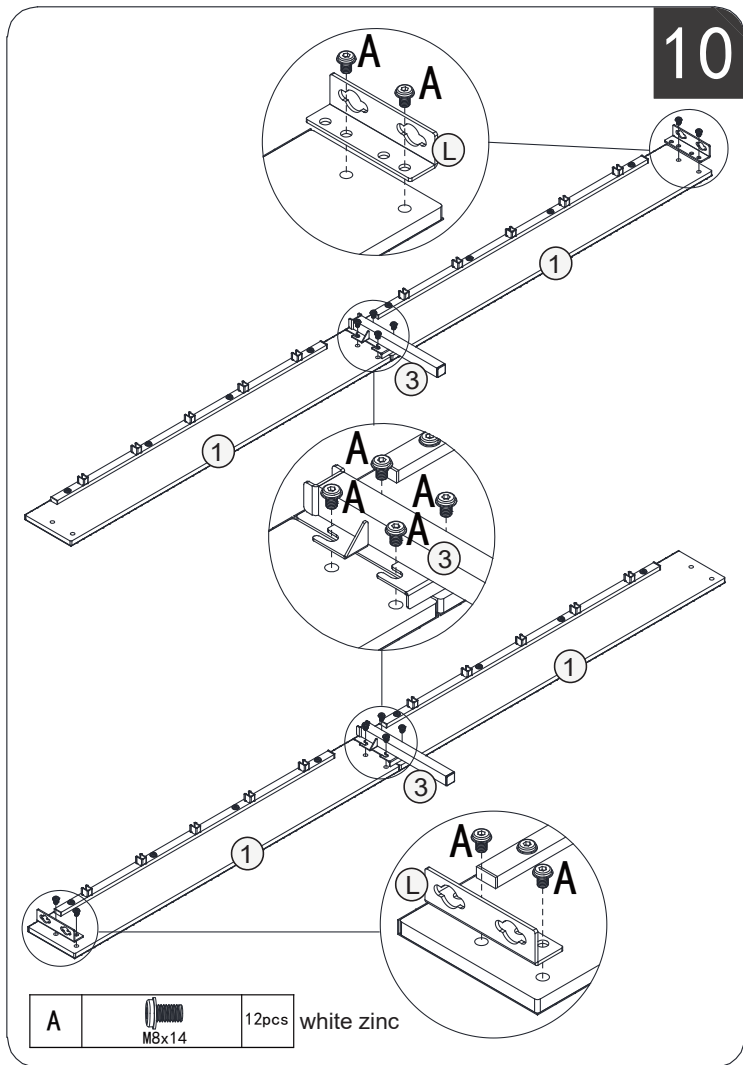
F		4pcs	
---	---	------	--

9

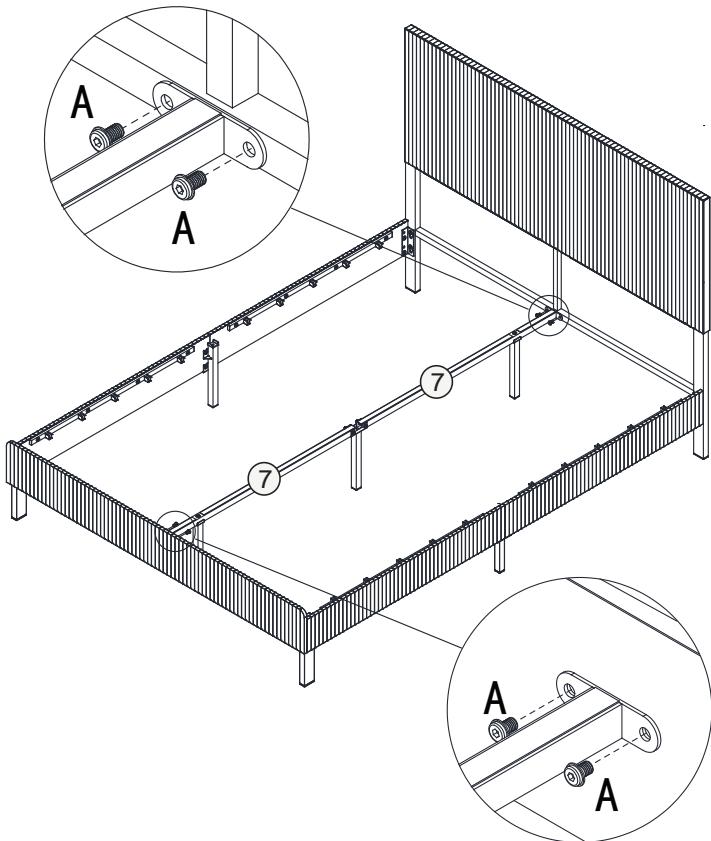
x4




B		16pcs	
---	--	-------	--



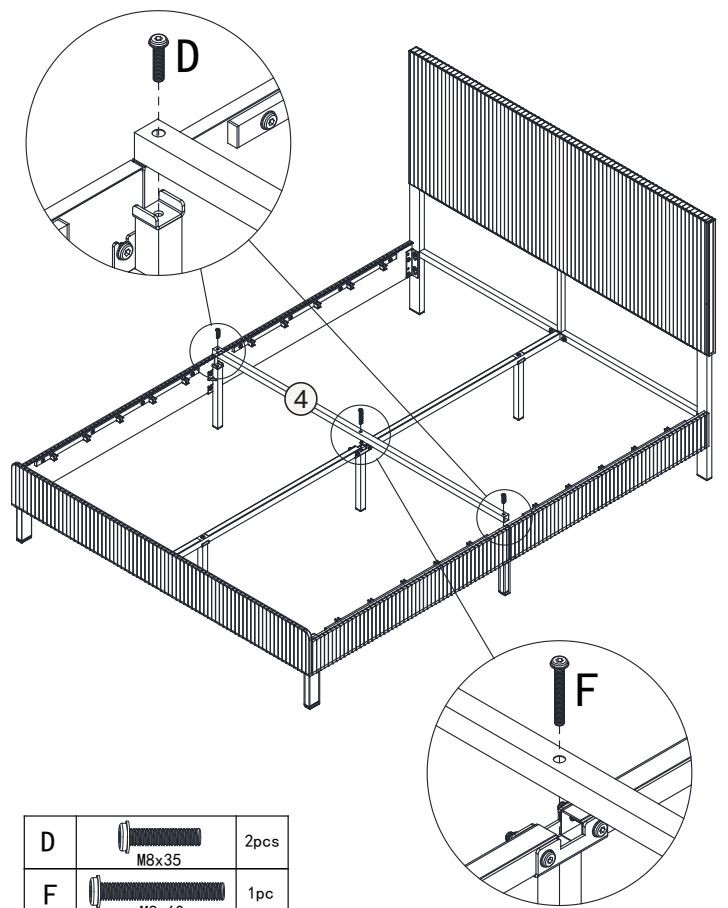
14

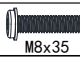
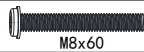


To assemble first

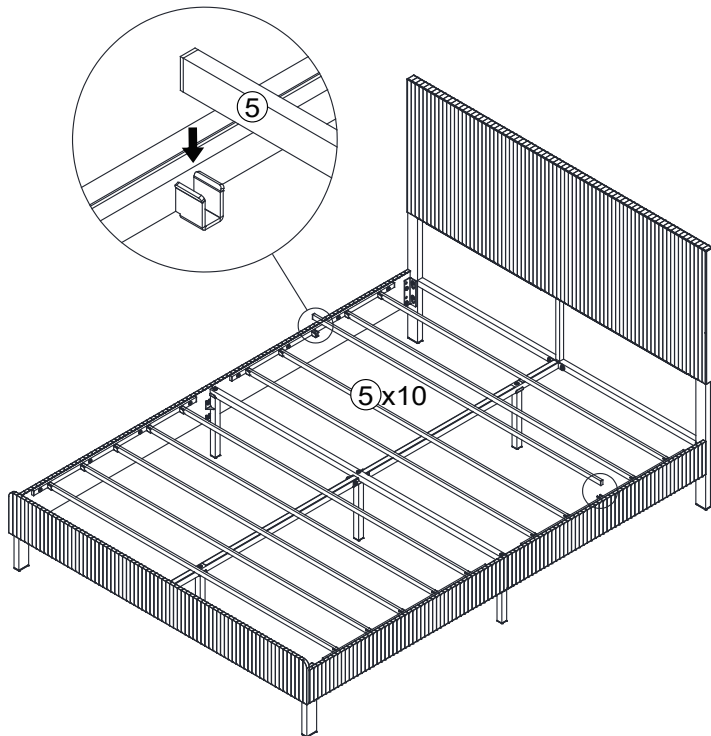
A		4pcs	white zinc
---	---	------	------------

15

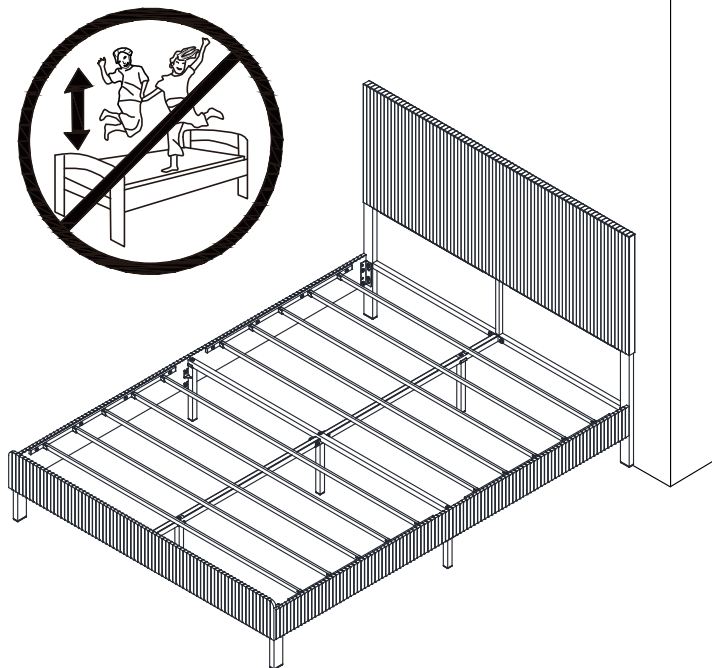


D		2pcs
F		1pc

16



17



Finish