











**IMPORTANT, RETAIN FOR FUTURE REFERENCE: READ CAREFULLY**


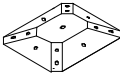
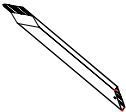
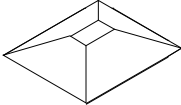

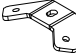
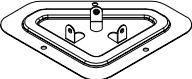
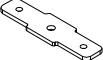

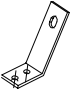



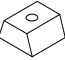
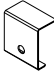

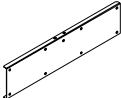



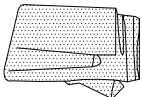

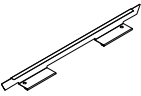

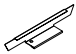

1. Must use ground nails, ropes, and expansions screws for whichever ground you install on for stability to avoid devastating injuries for people inside or nearby and property damage caused by a collapsing gazebo.
2. Do not use this gazebo in high winds, heavy snow, or inclement weather. It is not designed to withstand strong gusts of wind, heavy snow accumulation, or other inclement weather. Must take precautions when the wind speed exceeds 25Mph, and clear snow when it accumulates more than 2 inches.
3. Before use, thoroughly inspect the gazebo to make sure all bolts, nuts, and buckles have been completely tightened and securely fastened.
4. Warranty does not cover damages, losses, or injuries resulting from improper installation, misuse, not using stability accessories mentioned above, non snow cleaning, failure to take precautionary measures, etc.

**10X10 FT HARDTOP GAZEBO**



1. Two or more people are required for assembly.
2. A ladder and electric drill may be necessary.
3. Do not erect the structure in heavy winds or inclement weather.
4. Do not leave up this unit for extended periods of time, as it is not a permanent structure or designed to withstand sustained wind or rain. It is a temporary, portable shelter that shields you from sunlight and rain. The screens also block flying insects.
5. Do not use candles, matches, or any open flames near the tent.
6. To better align the screws for practical situations, do not fully tighten screws initially.
7. Professional installation is highly recommended.

Item no.	Reference Image	Qty.
A		X4
B		X4
B1		X4
Ea		X4
Eb		X4
E1		X4
G1		X4
G3		X4
G5		X4
G6		X4

Item no.	Reference Image	Qty.	Item no.	Reference Image	Qty.
F1		X8	L		X1
H		X4	M		X1
H1		X4	W		X4
J		X4	W1		X4
K		X4	W2		X4
K1		X4	U		X96
N		X12	Y		X92
N1		X4	V1		X2
P		X4	V1		X2
T		X4	Q1		X4
T1		X4	Q2		X4
Z		X56	Q3		X4
Z1		X24	Q4		X4

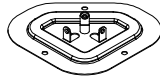
Item no.	Reference Image	Qty.	Item no.	Reference Image	Qty.
Q5		X4	7	 M6X47mm	X24
Q6		X4	8	 M6X15mm	X16
S		X4	9		X12
Sa		X4	10	 M5X12mm	X12
1	 M6X16mm	X144	11	 S4	X1
2	 M6X23mm	X56	12		X1
3	 M6X25mm	X9	13	 S6	X1
4	 ST4.8X12mm	X24	14		X12
5	 M6X10mm	X8	15	 S5	X1
6	 M6X42mm	X4	16		X12
			17		X4
			18		X4

1

X4



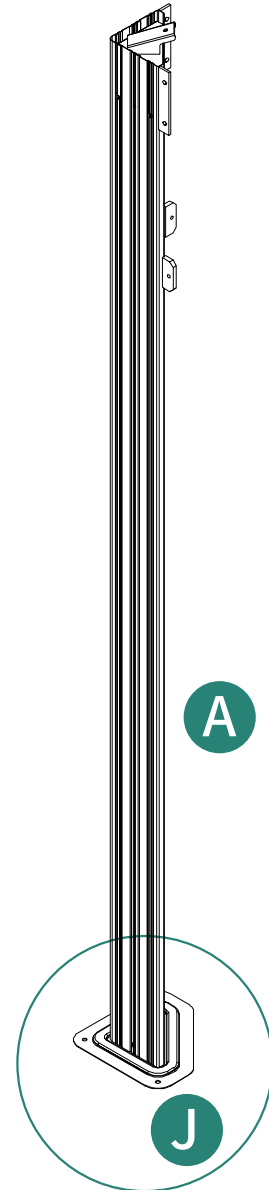
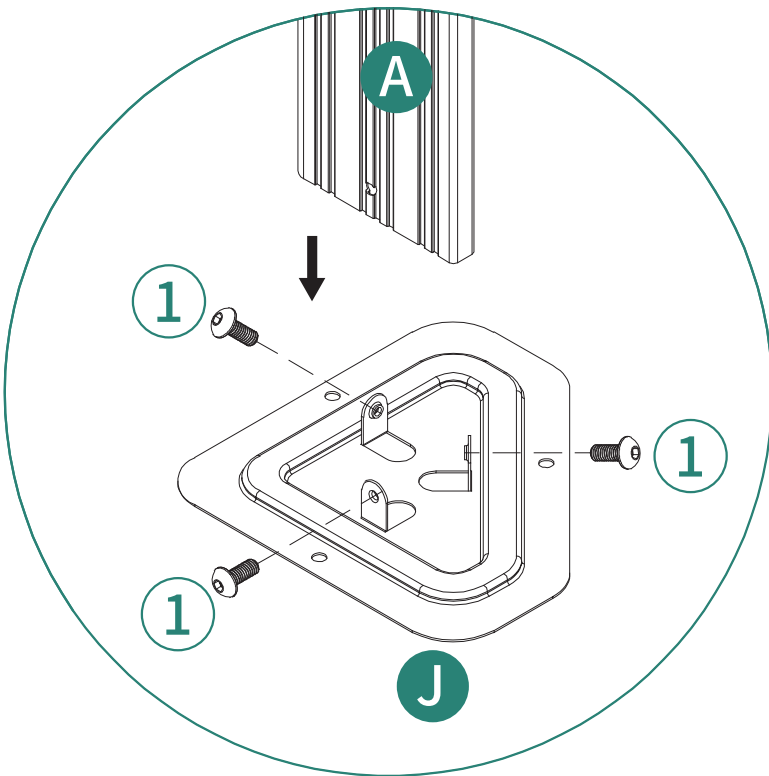
Ⓐ 4pcs



Ⓙ 4pcs

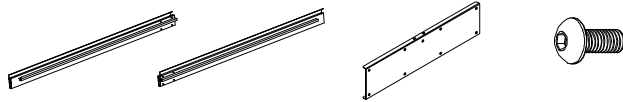


① 12pcs



# 2

## X4



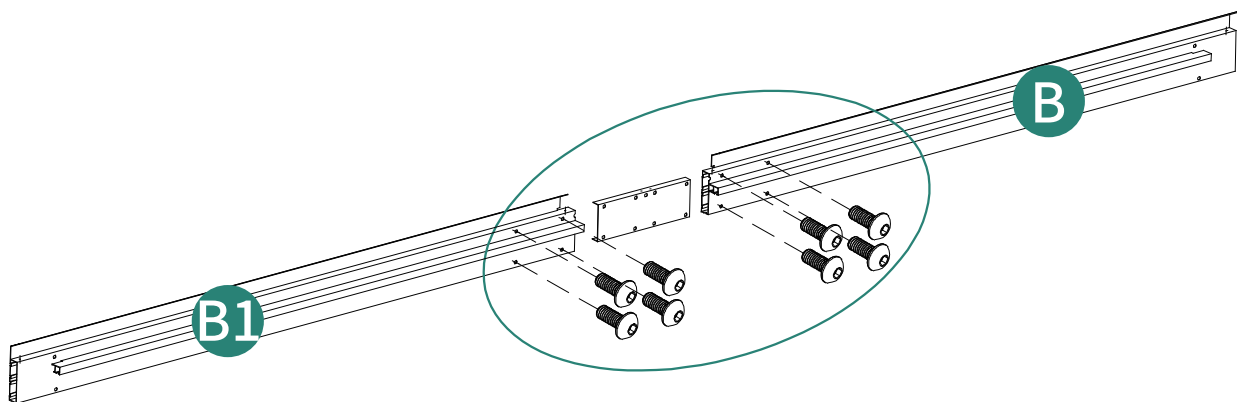
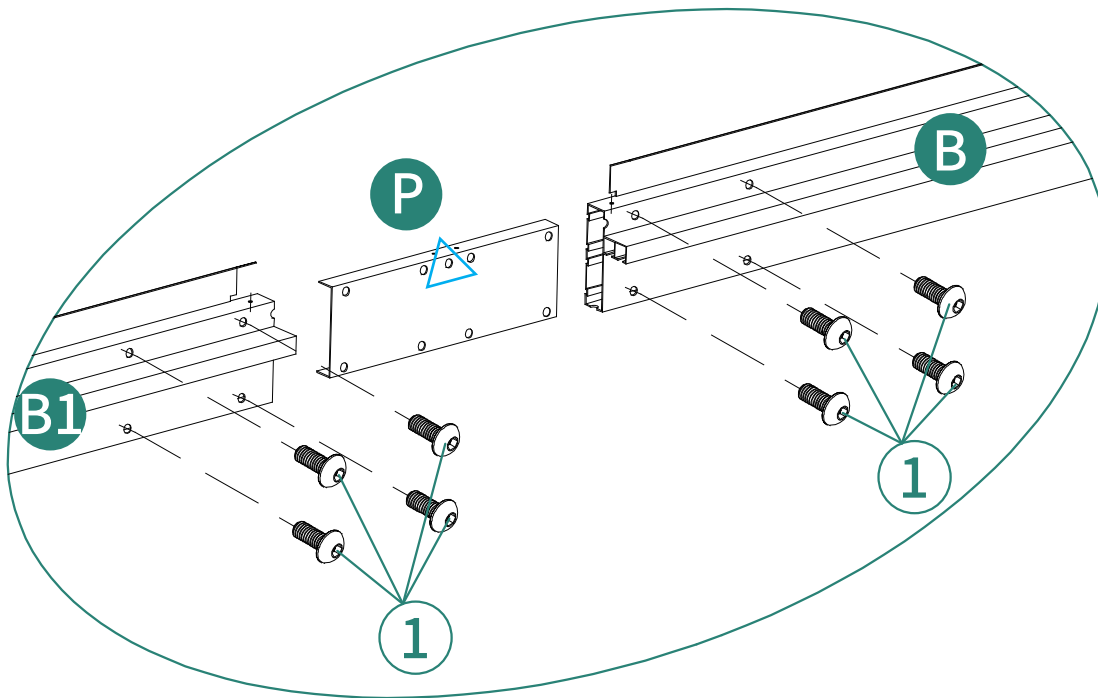
ⓑ4pcs

ⓑ14pcs


Ⓟ4pcs

①32pcs

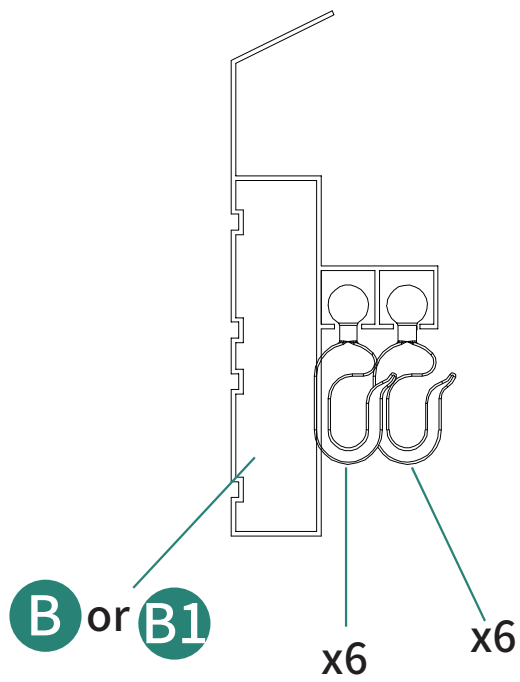
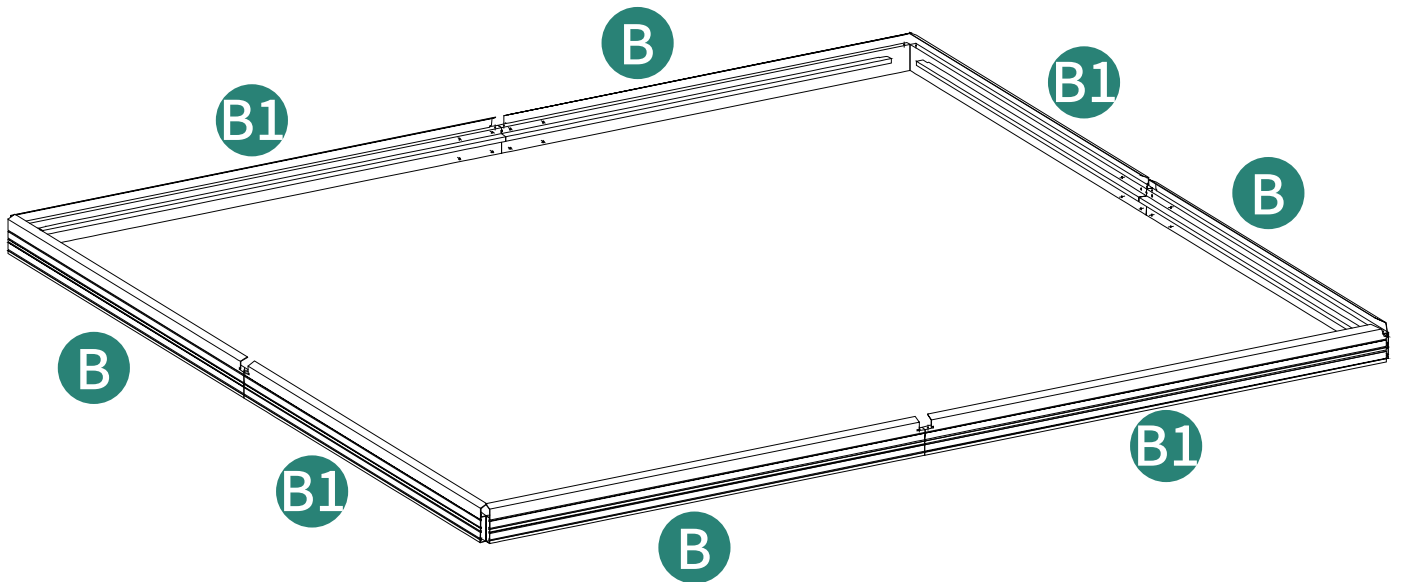
When connecting B and B1 via P, make sure that 1 holes on part P (as shown in the picture) should be facing upwards. Do not install it upside down.



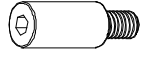
**3**



Ⓢ96pcs

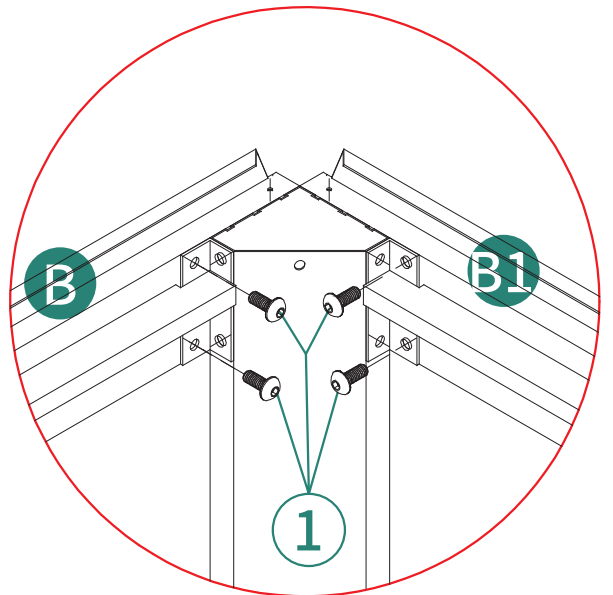
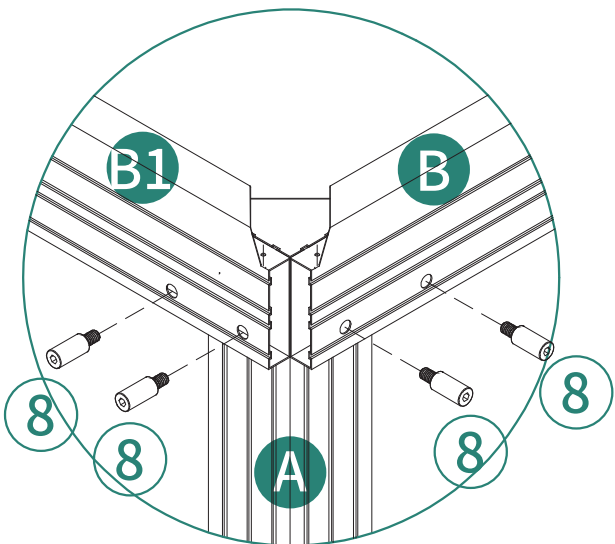
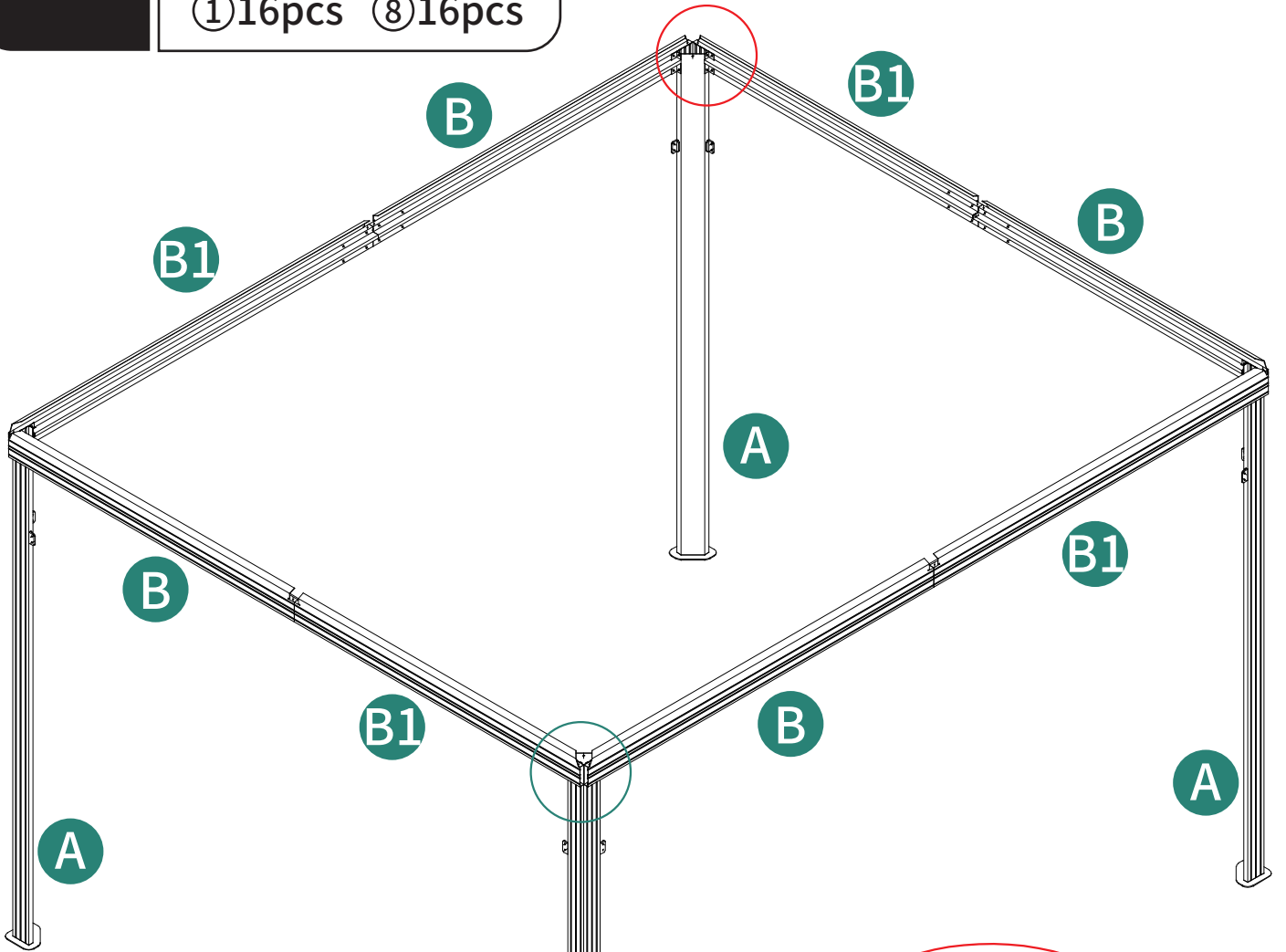


4



① 16pcs

⑧ 16pcs



5



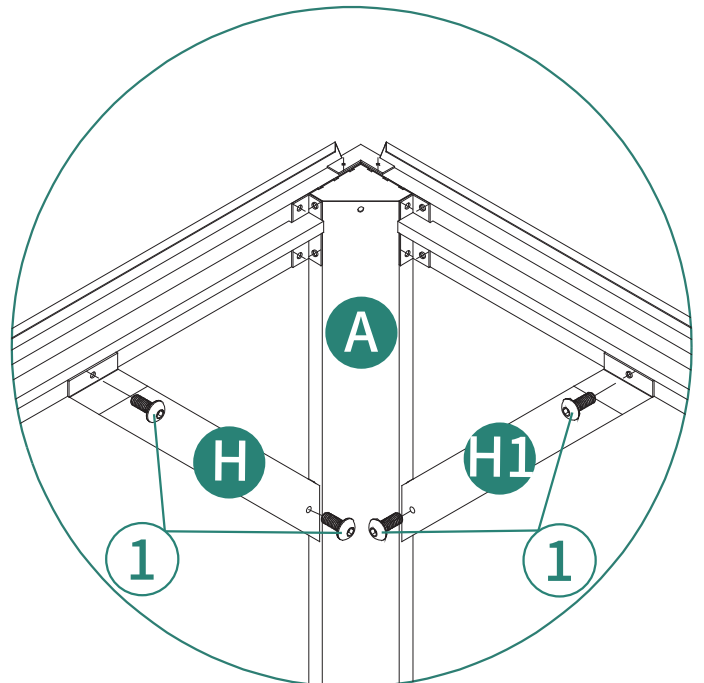
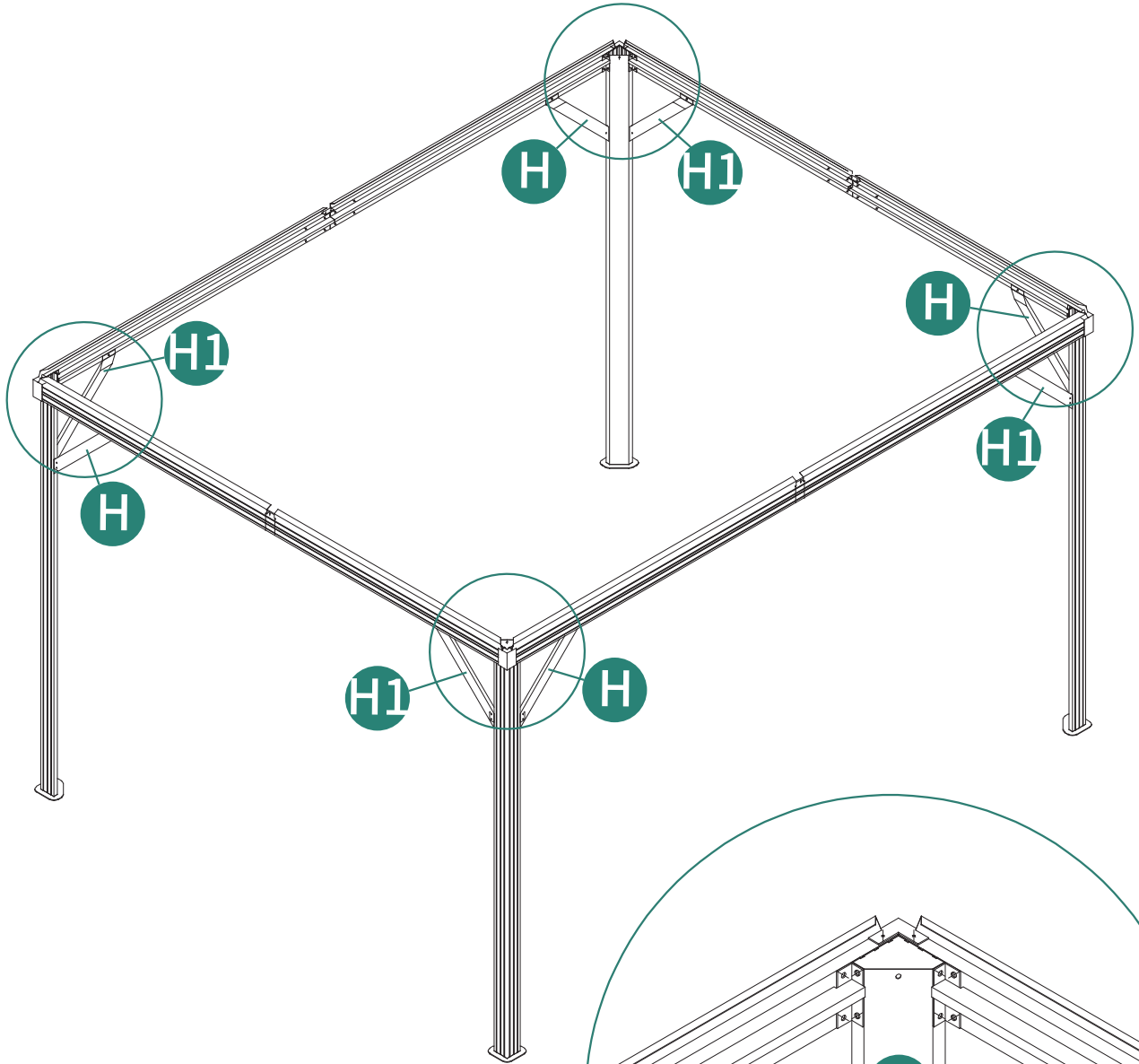
(H) 4pcs



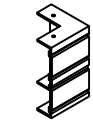
(H1) 4pcs



(1) 16pcs



# 6



Ⓚ4pcs



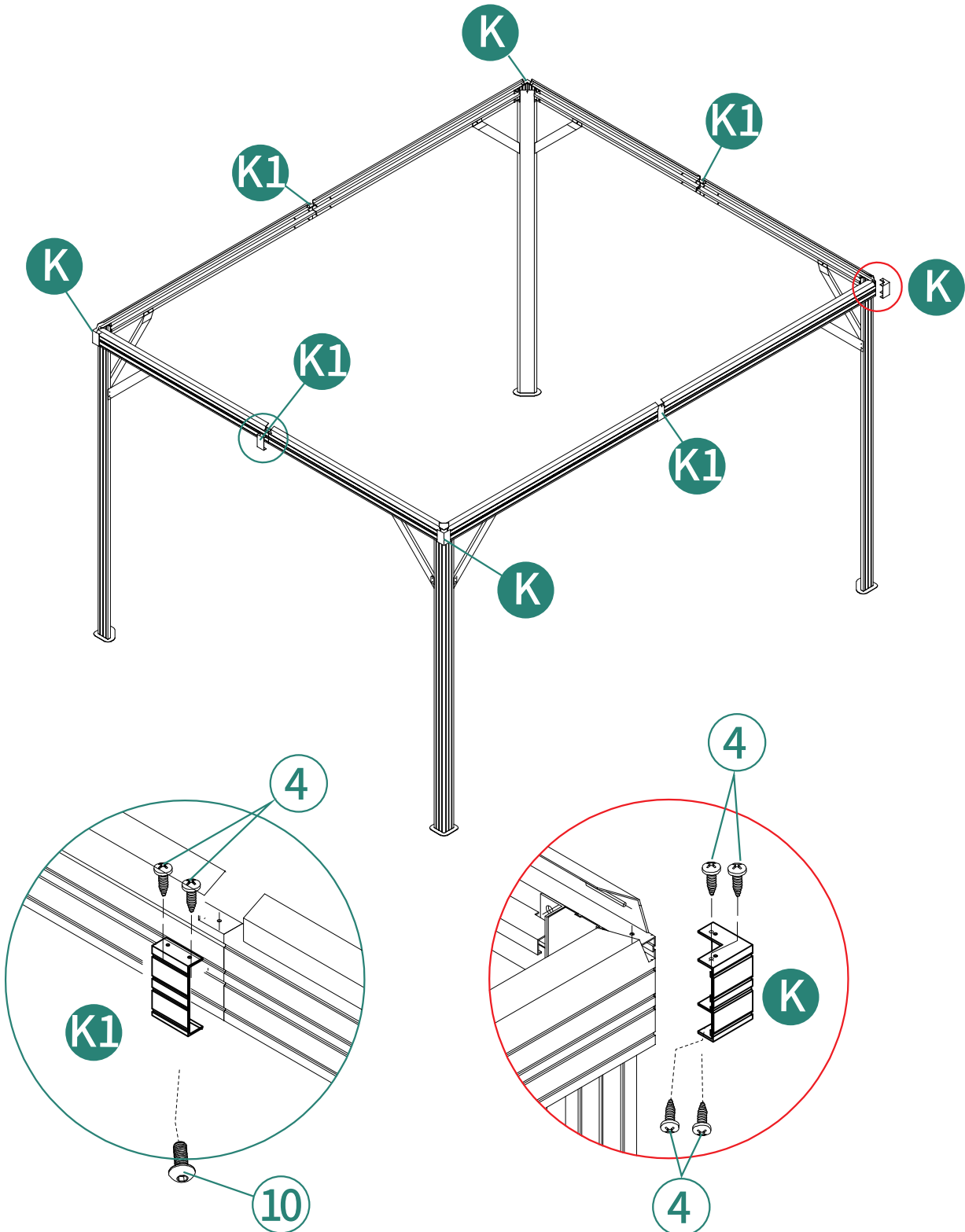
Ⓚ14pcs



④24pcs



⑩4pcs



7

X4



Ⓔa 4pcs



Ⓔb 4pcs



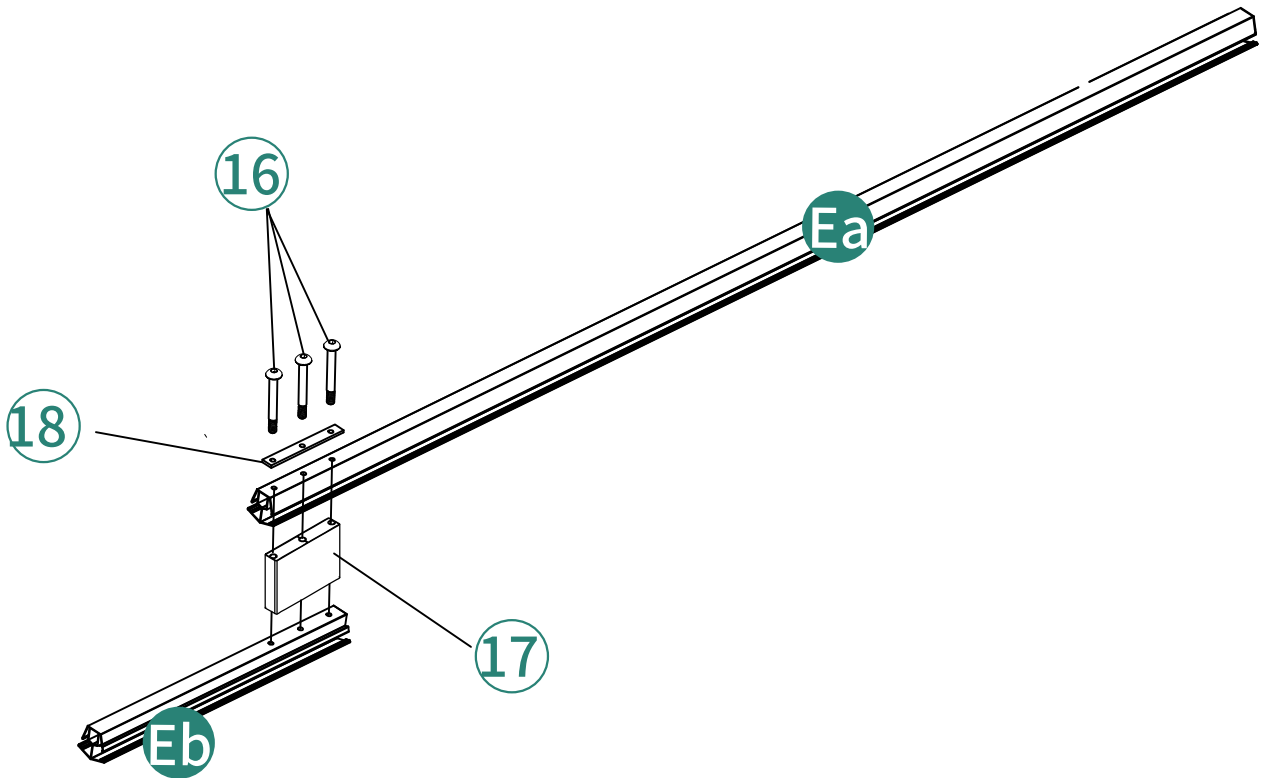
Ⓔ16 12pcs



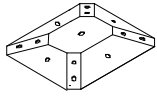
Ⓔ17 4pcs



Ⓔ18 4pcs



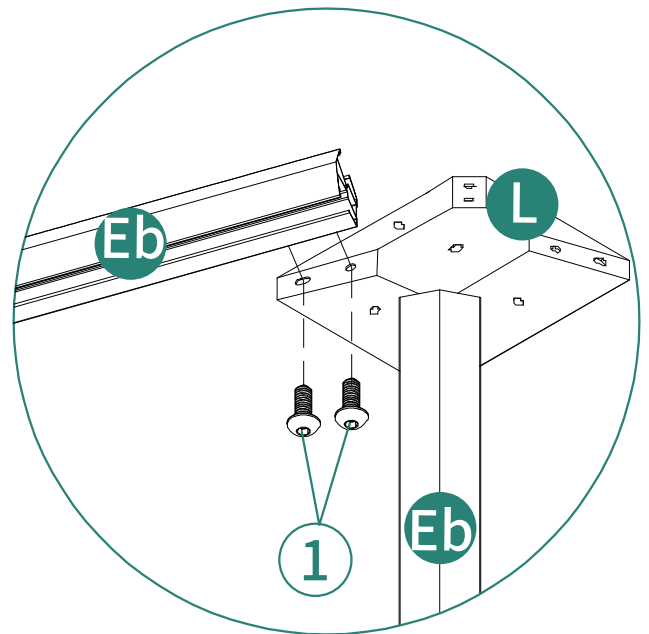
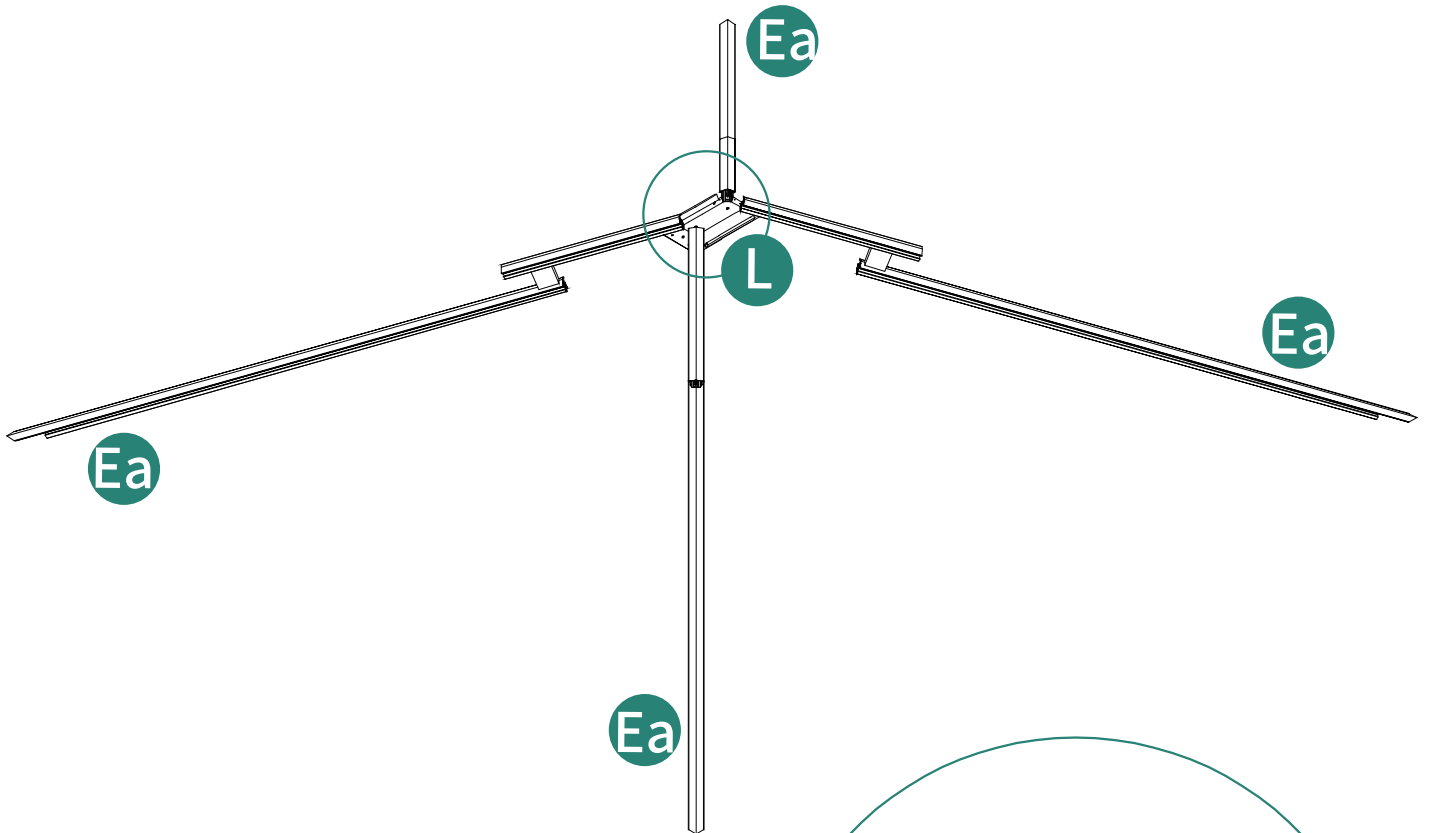
8




L 1pc



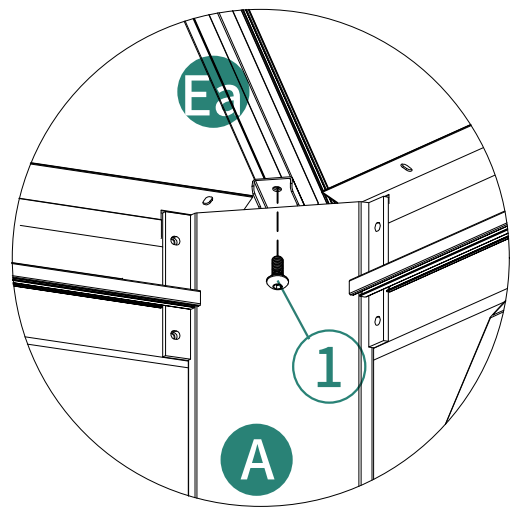
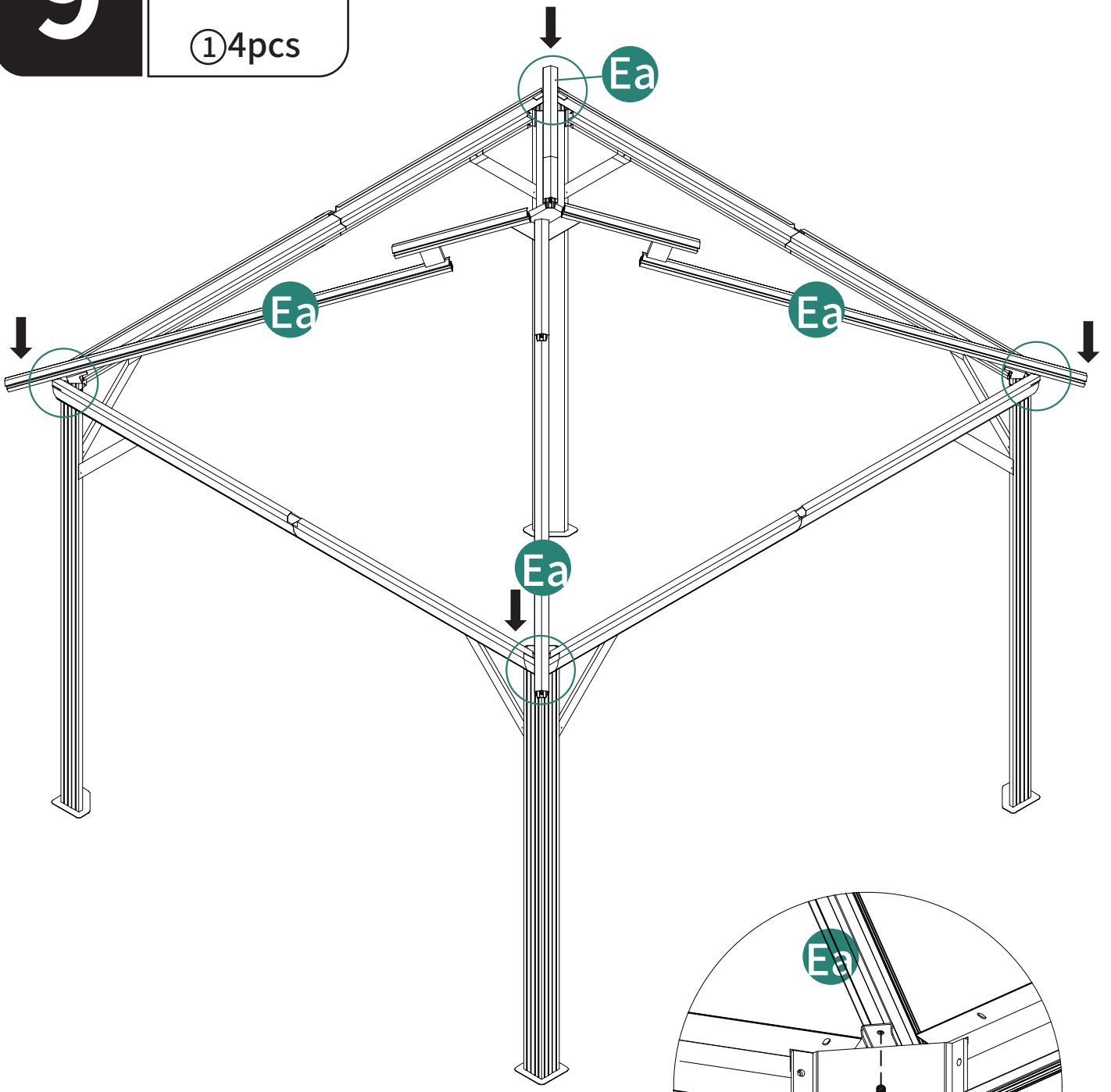
1 8pcs



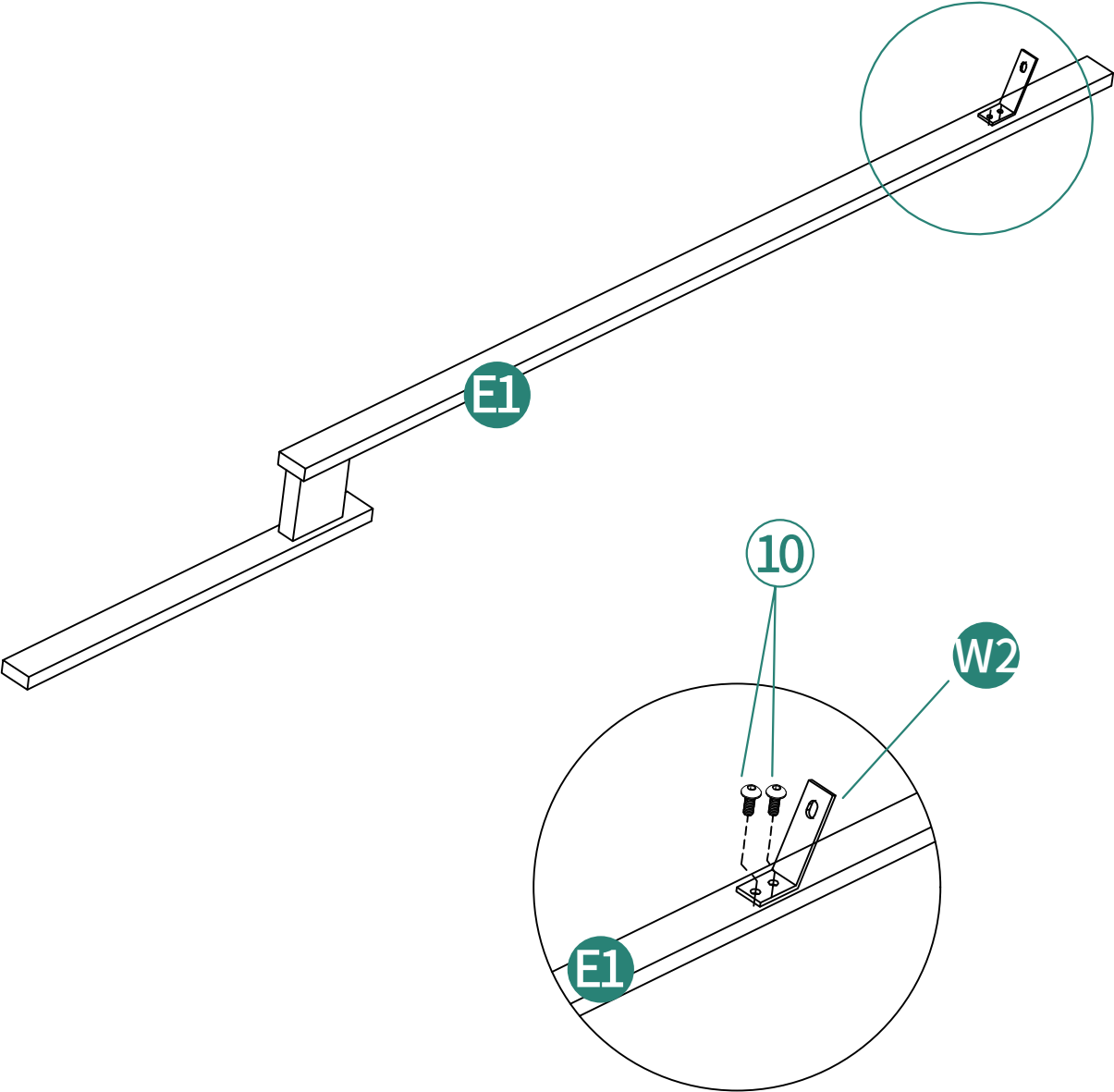
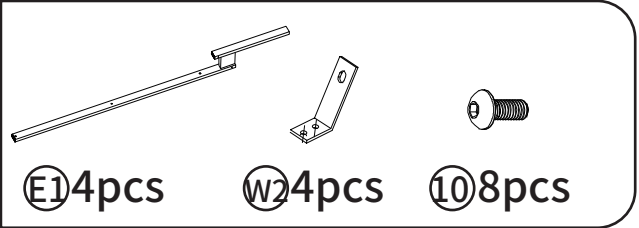
**9**



① 4pcs



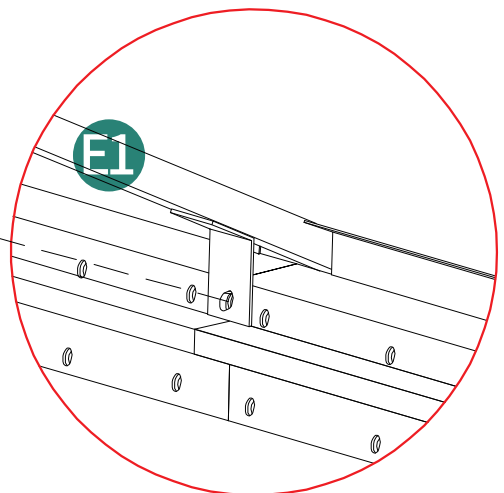
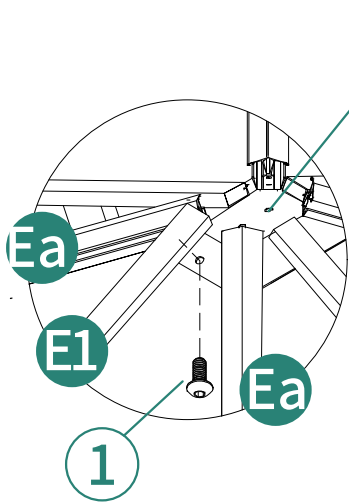
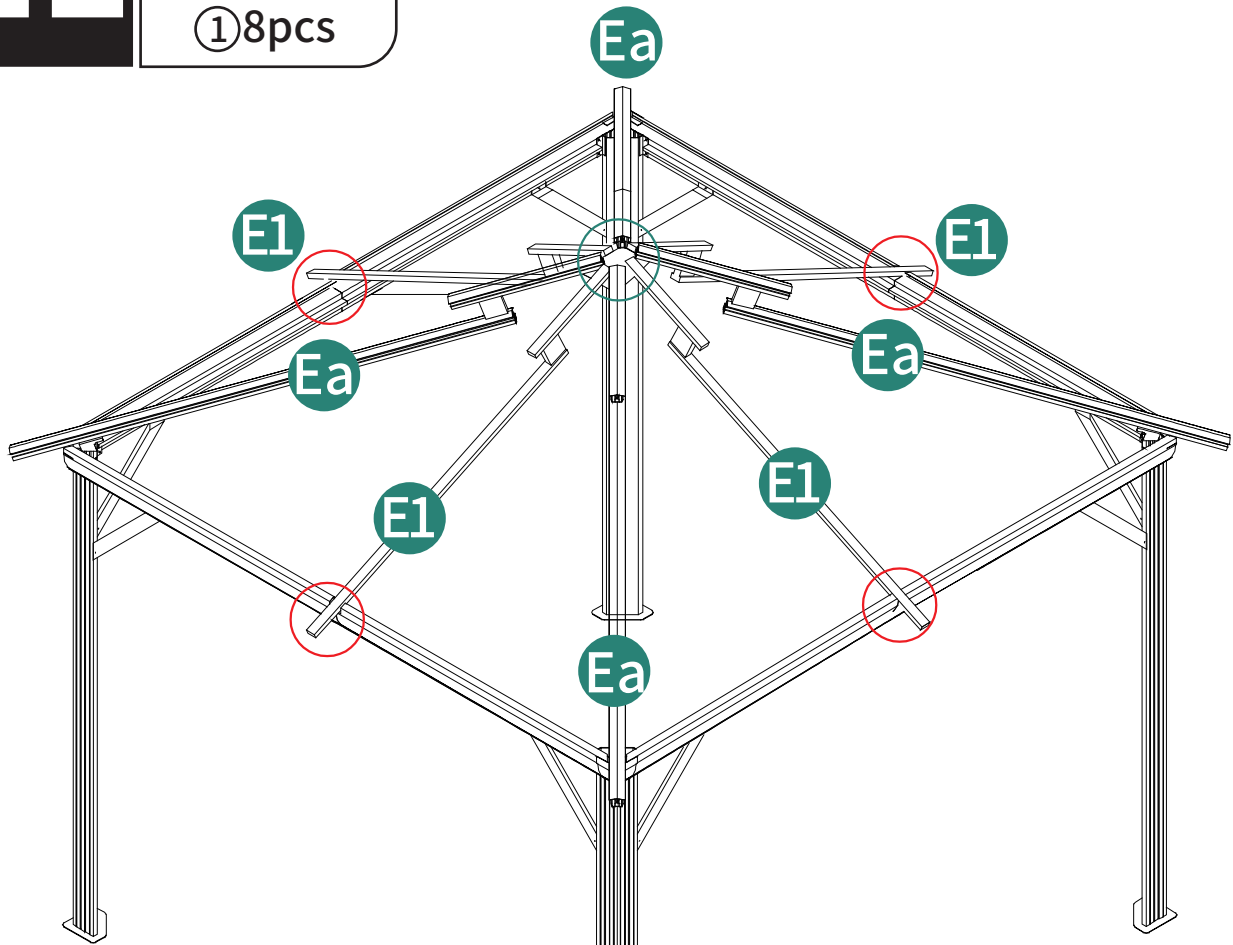
**10**  
**X4**



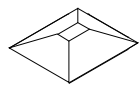
11



① 8pcs



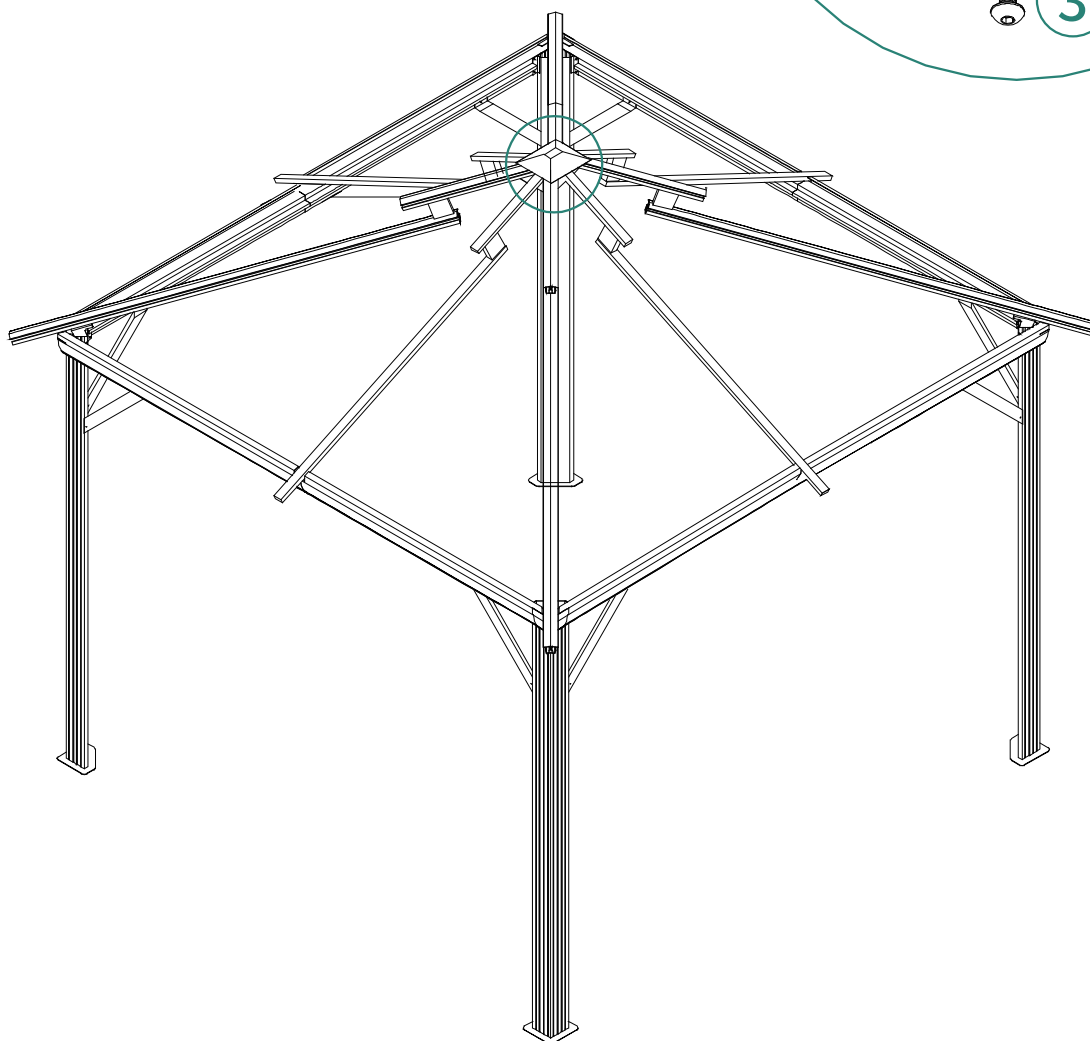
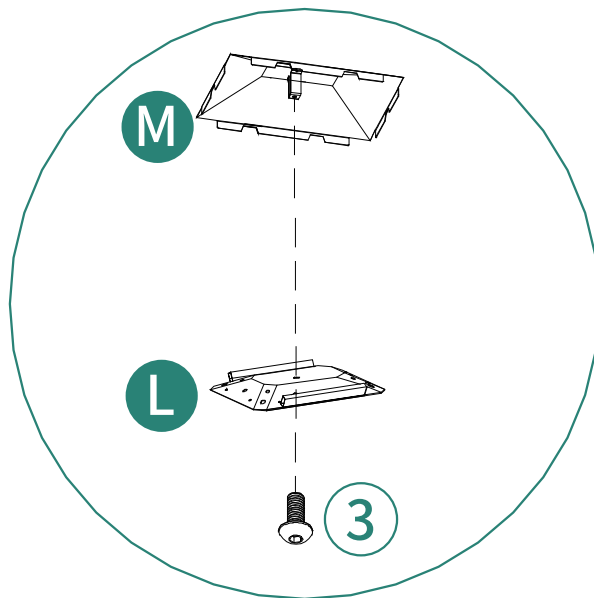
**12**



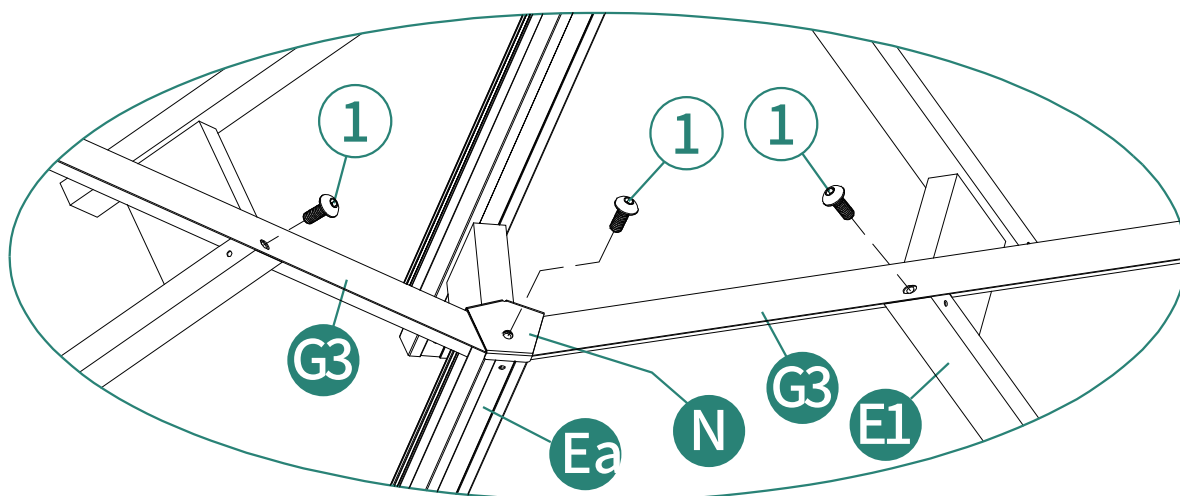
Ⓜ1pc



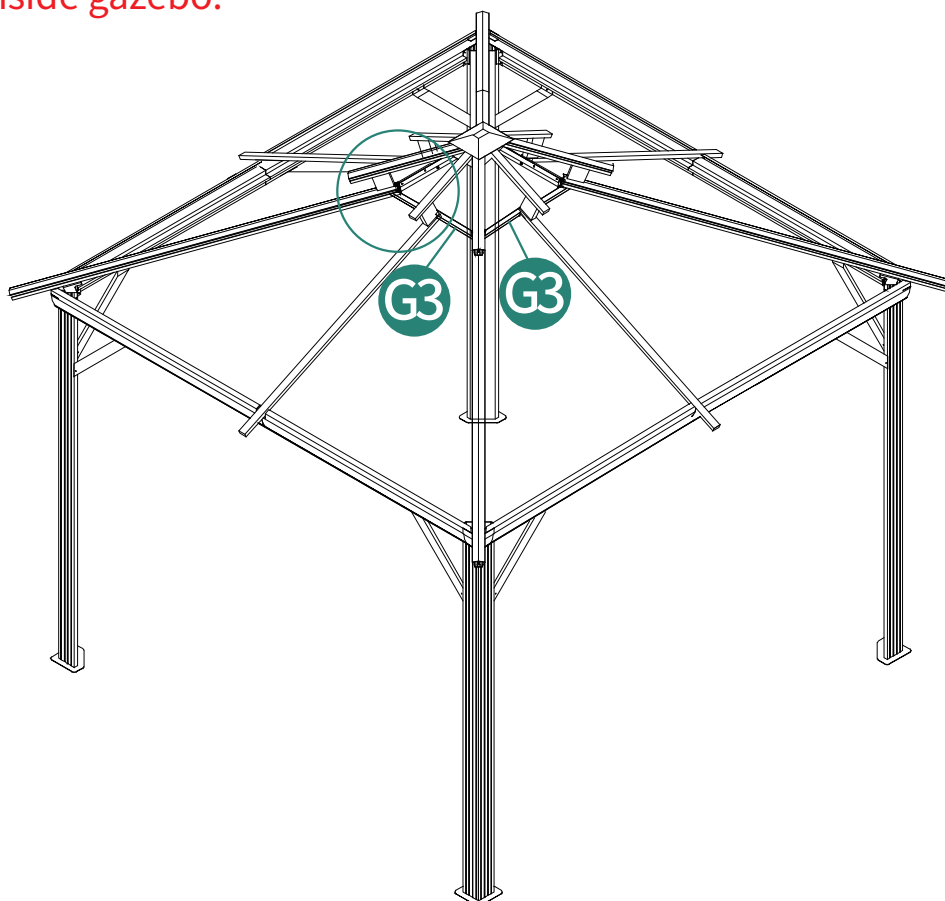
③1pc



# 13

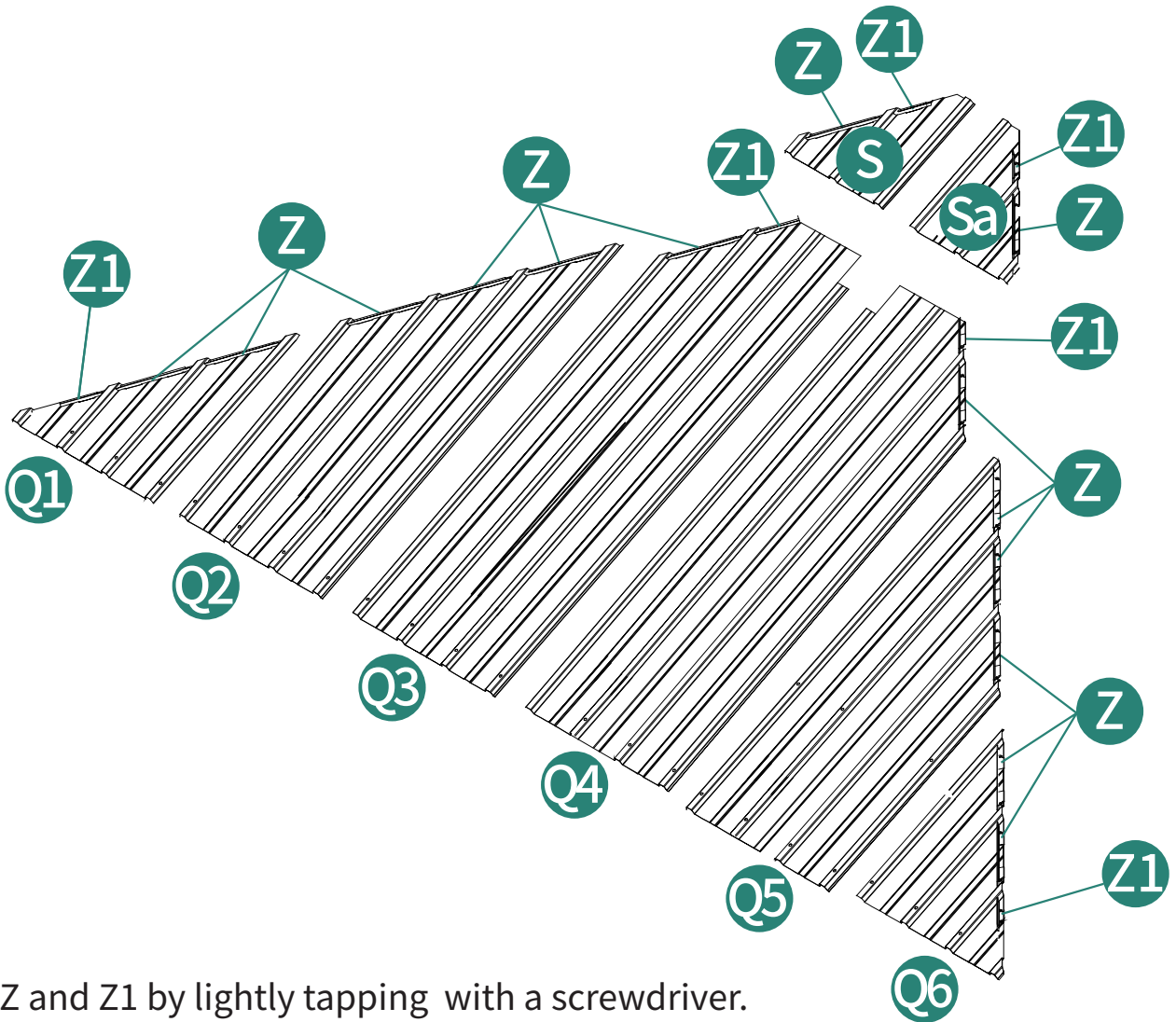
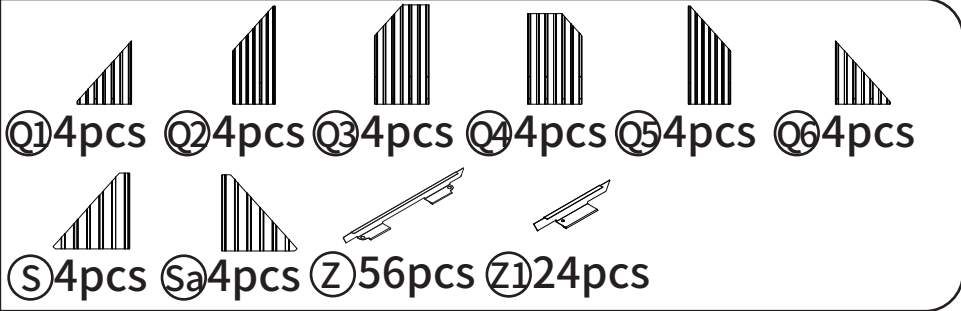


Do not tighten the screw 1 before completing step 18.  
It's view from the bottom inside gazebo.

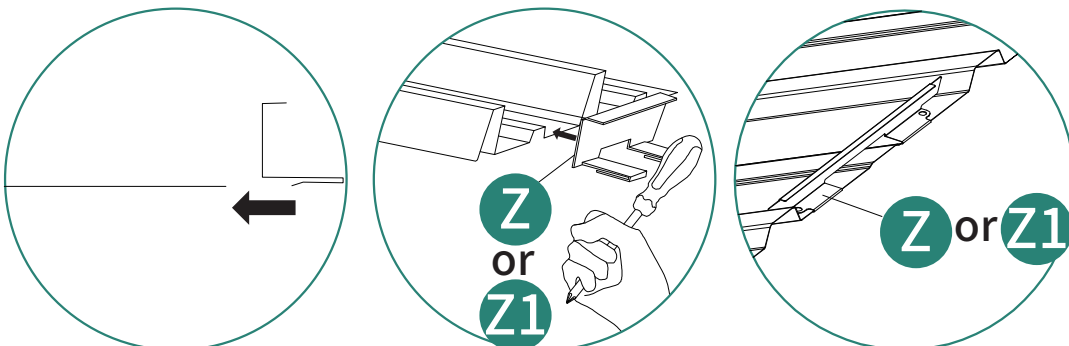


# 14

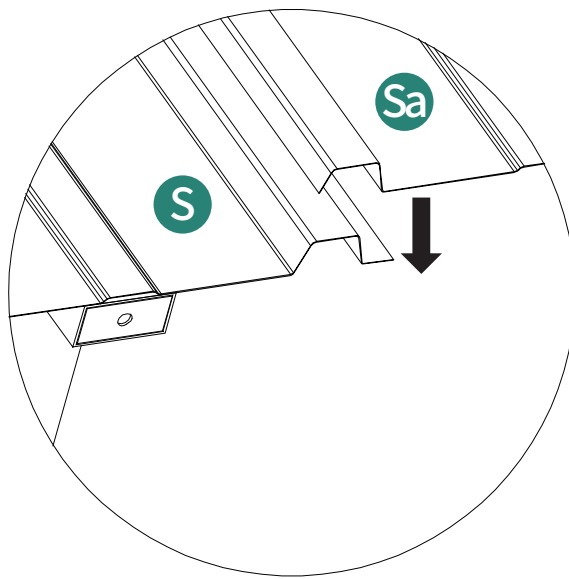
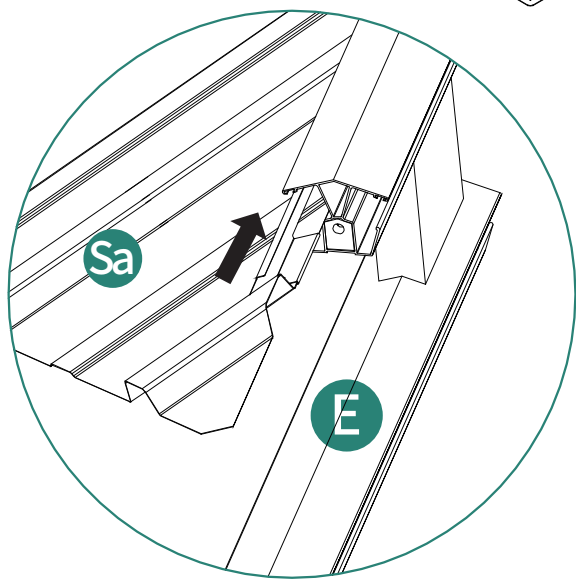
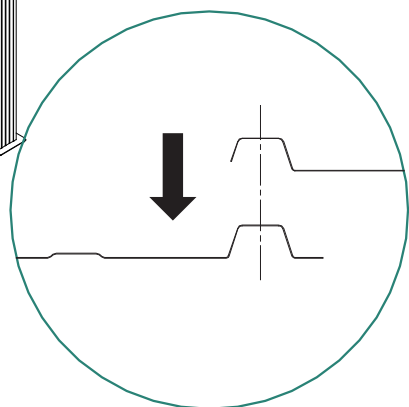
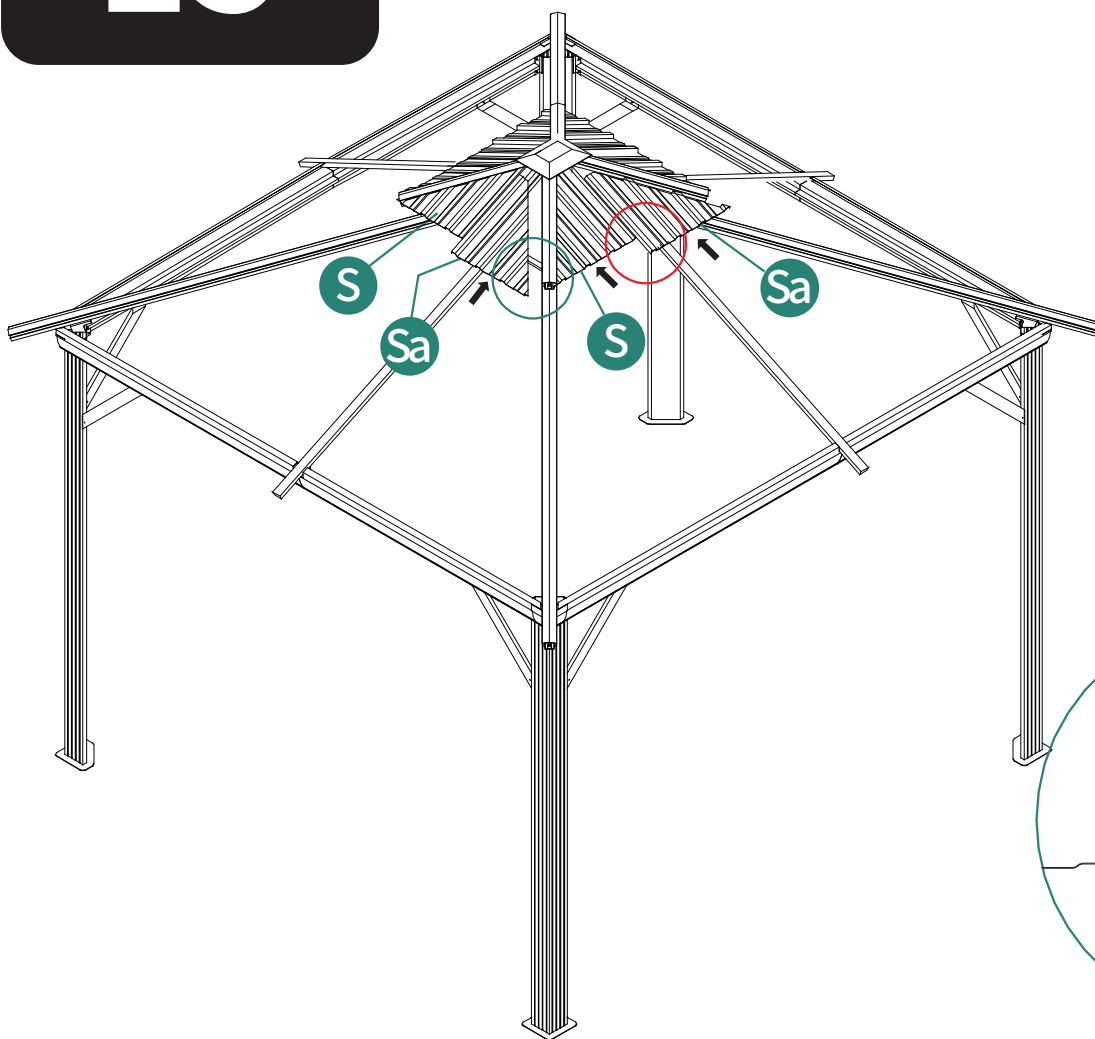
## X4



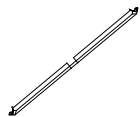
Attach Z and Z1 by lightly tapping with a screwdriver.



15



# 16



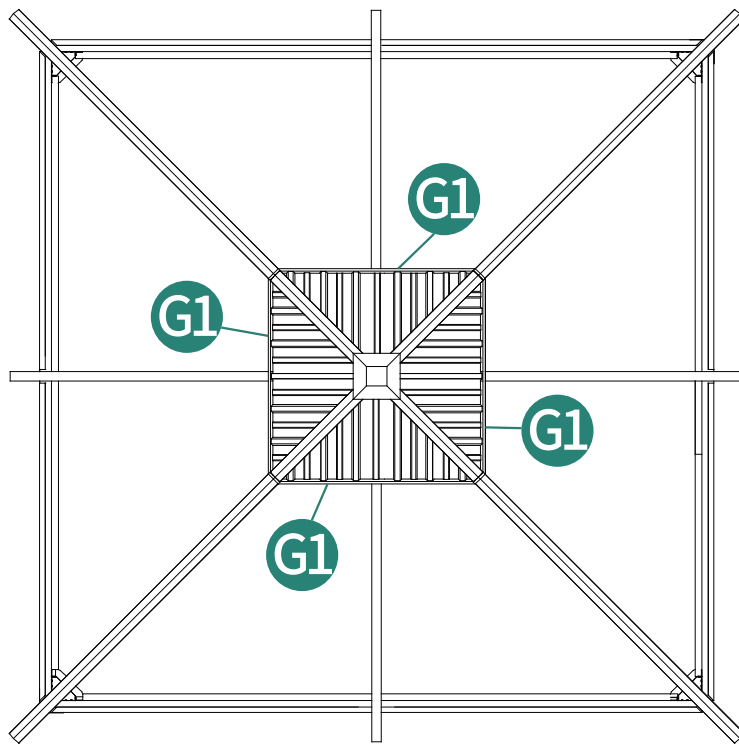
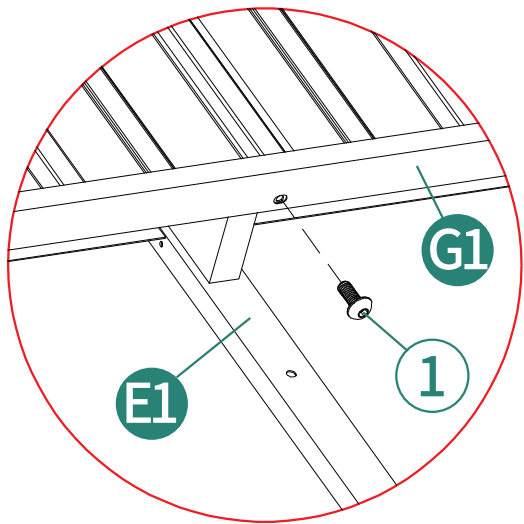
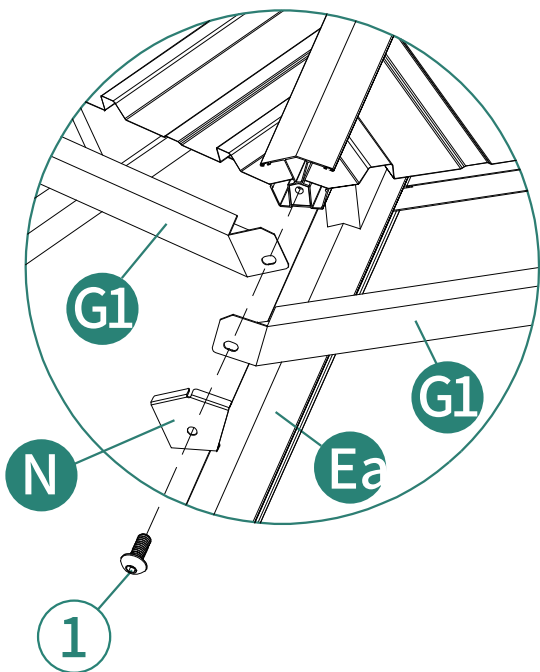
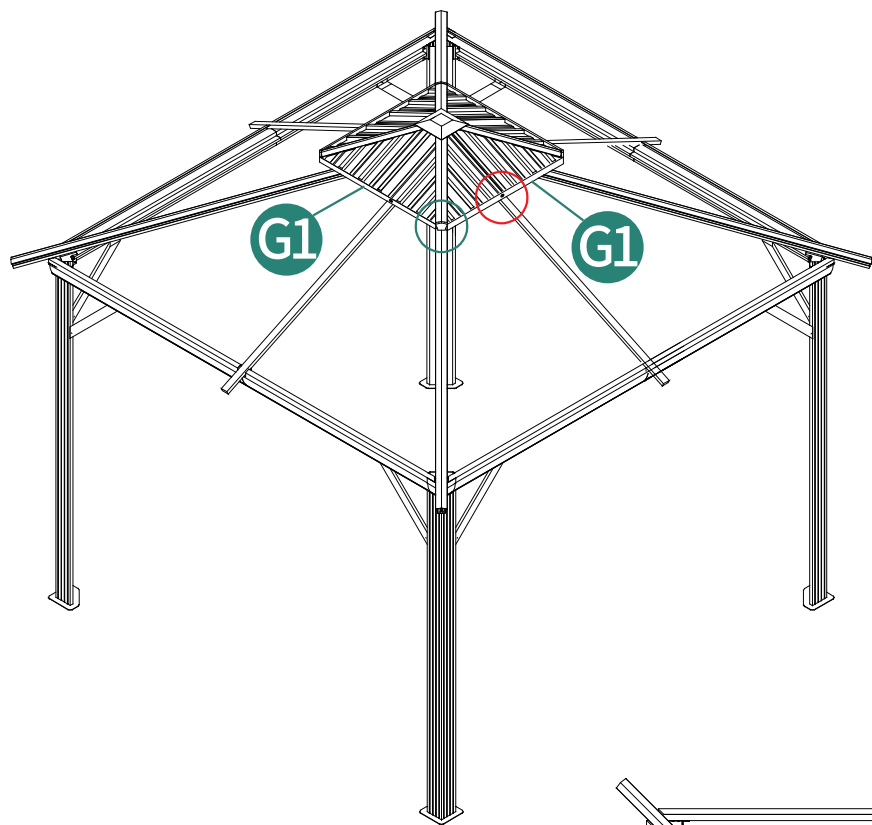
G14pcs



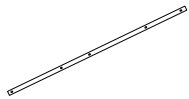
N4pcs



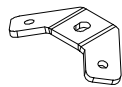
18pcs



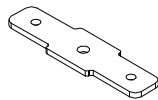
# 17



F1 8pcs



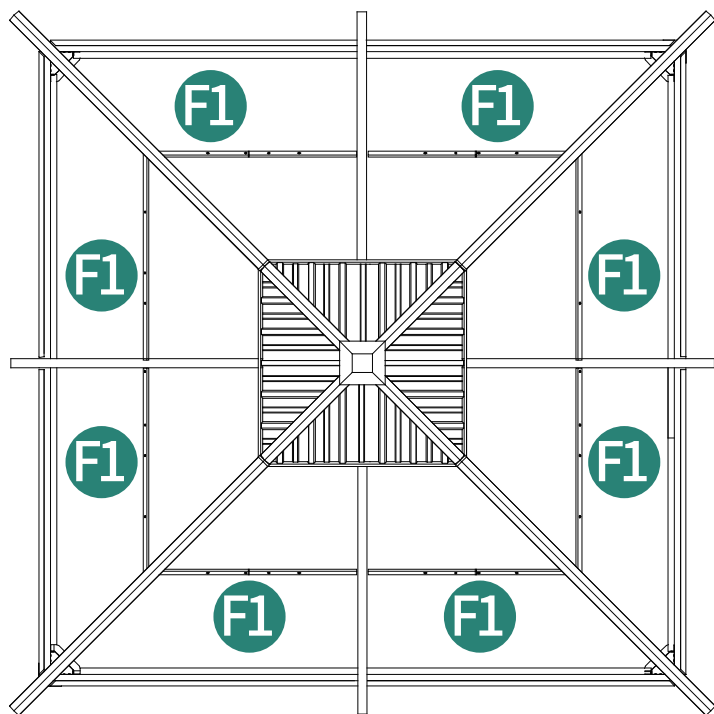
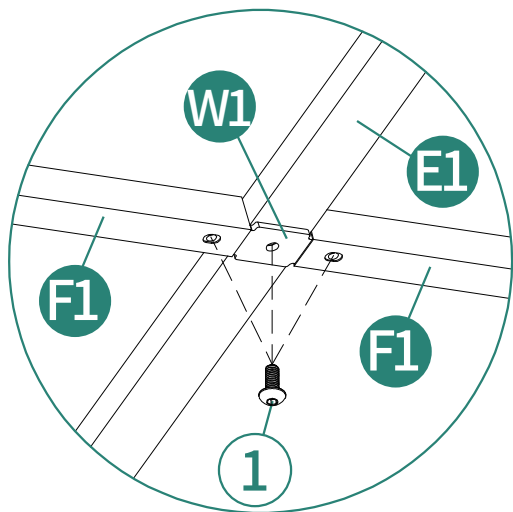
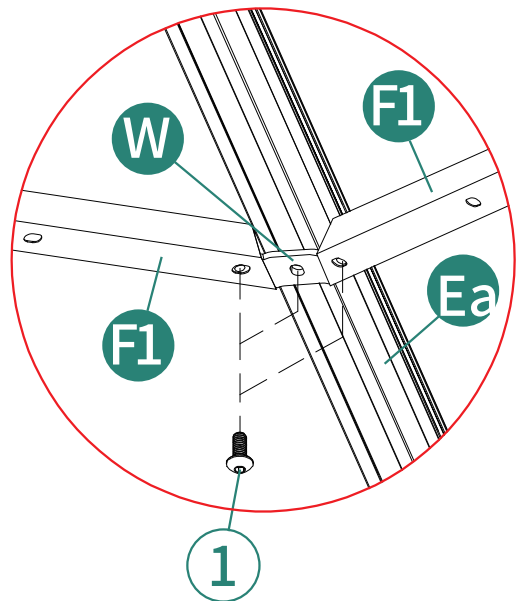
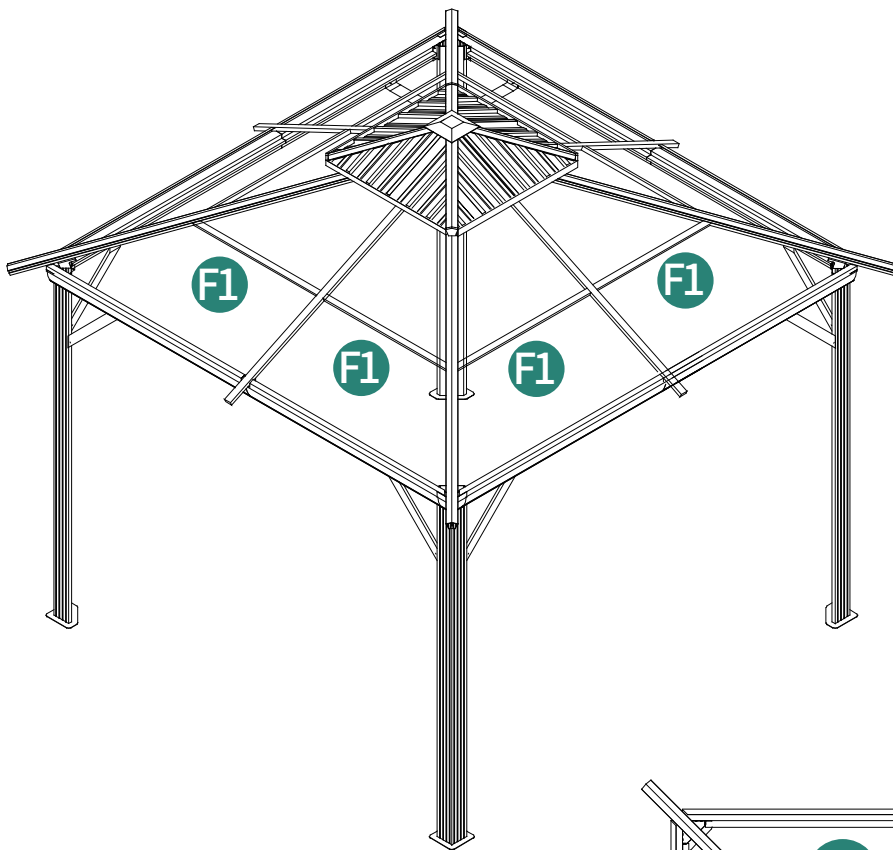
W 4pcs



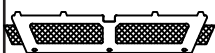
W1 4pcs



1 24pcs



# 18



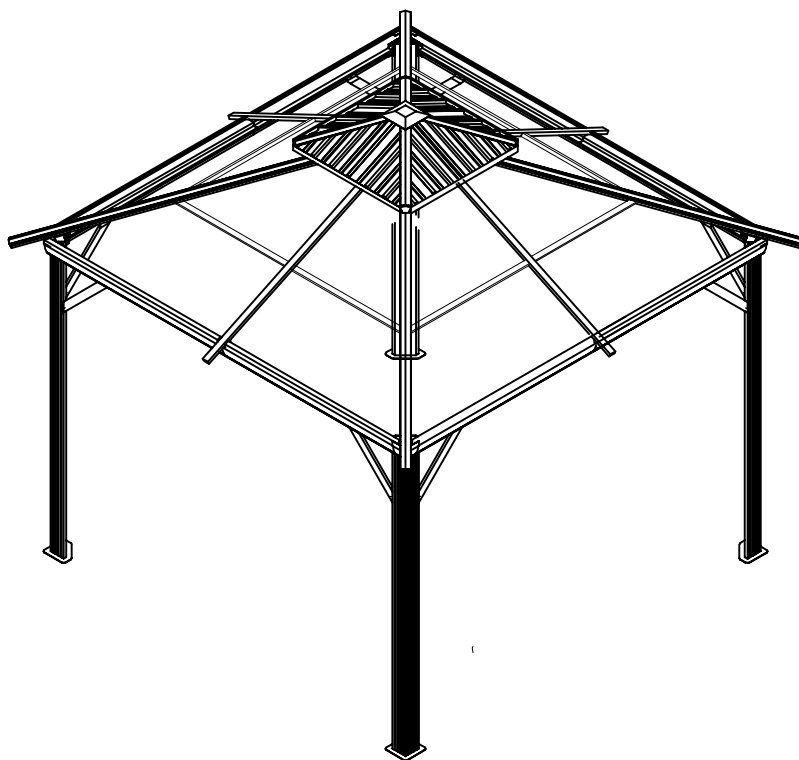
Ⓟ V1 2pcs



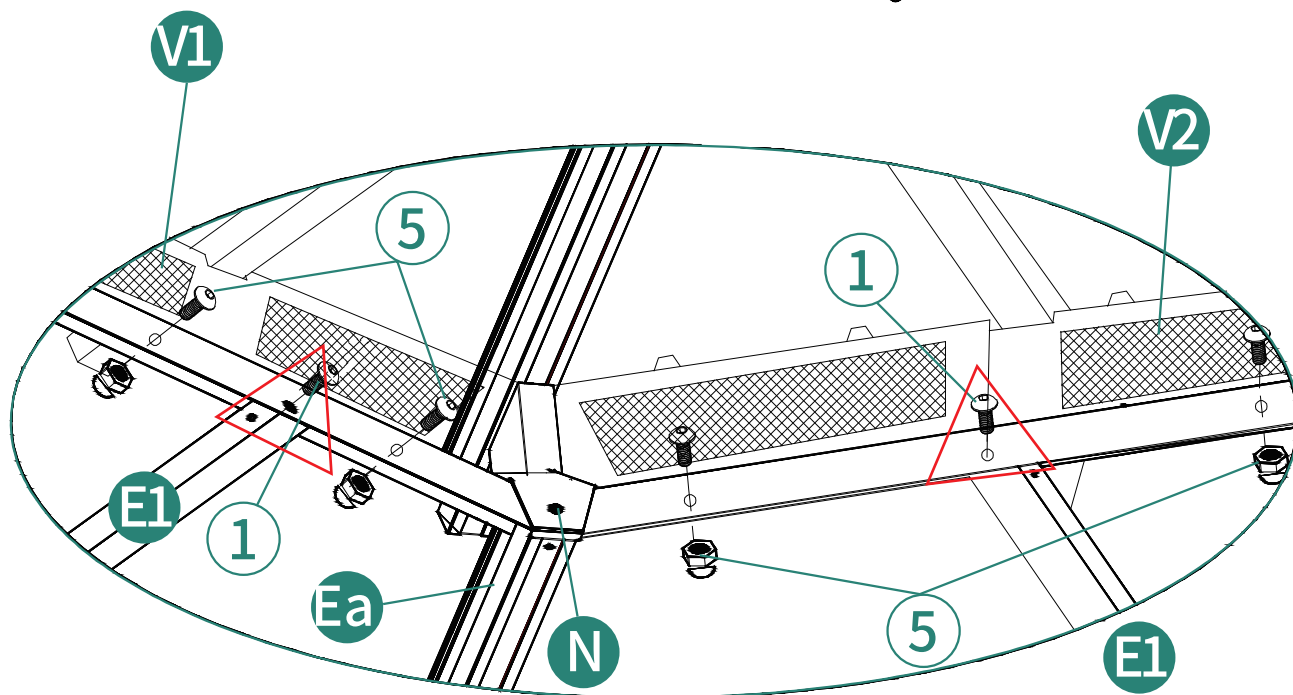
Ⓟ V2 2pcs



Ⓟ 5 8pcs

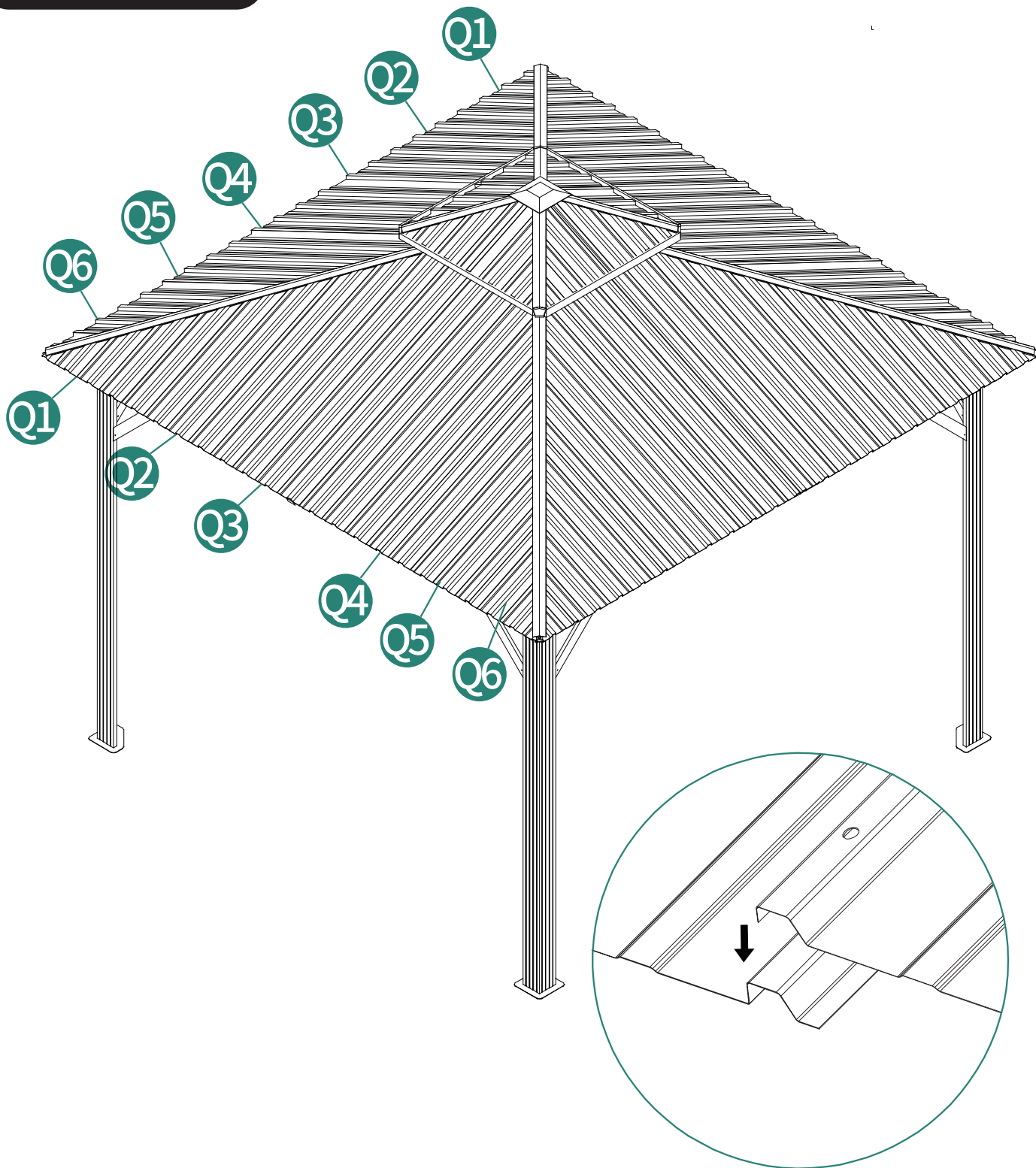


△ The marked parts use the same screws as in step 13.

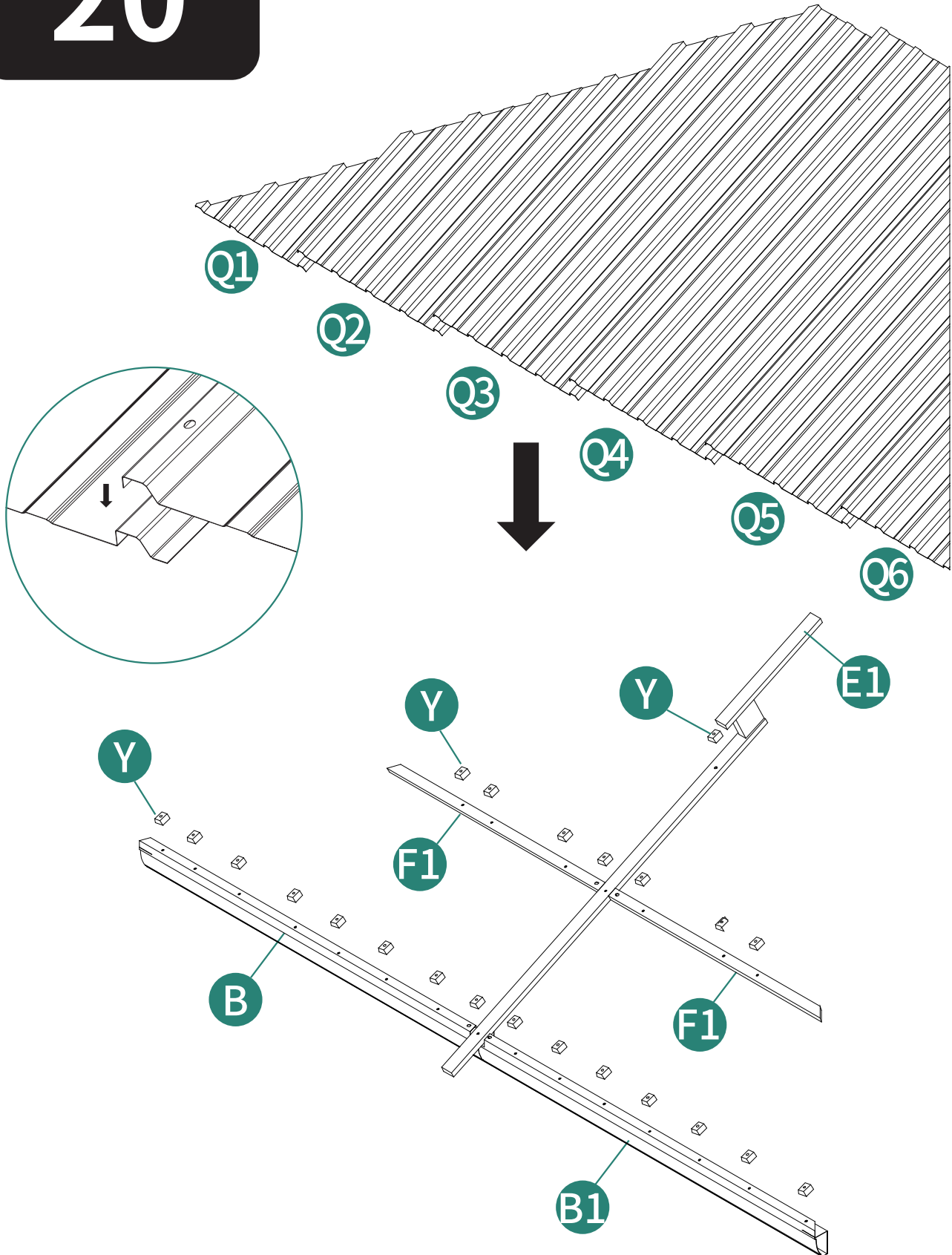


It's view from the bottom inside gazebo.

# 19

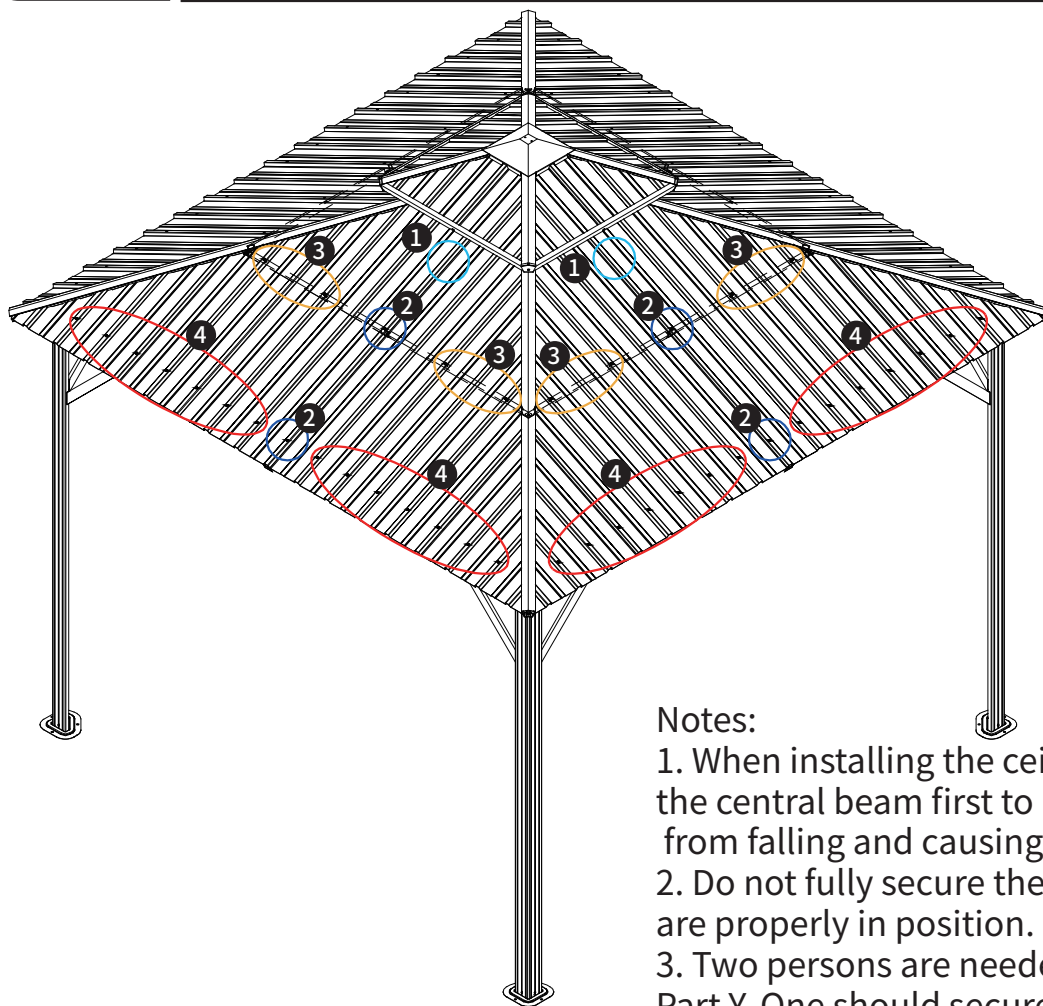


20



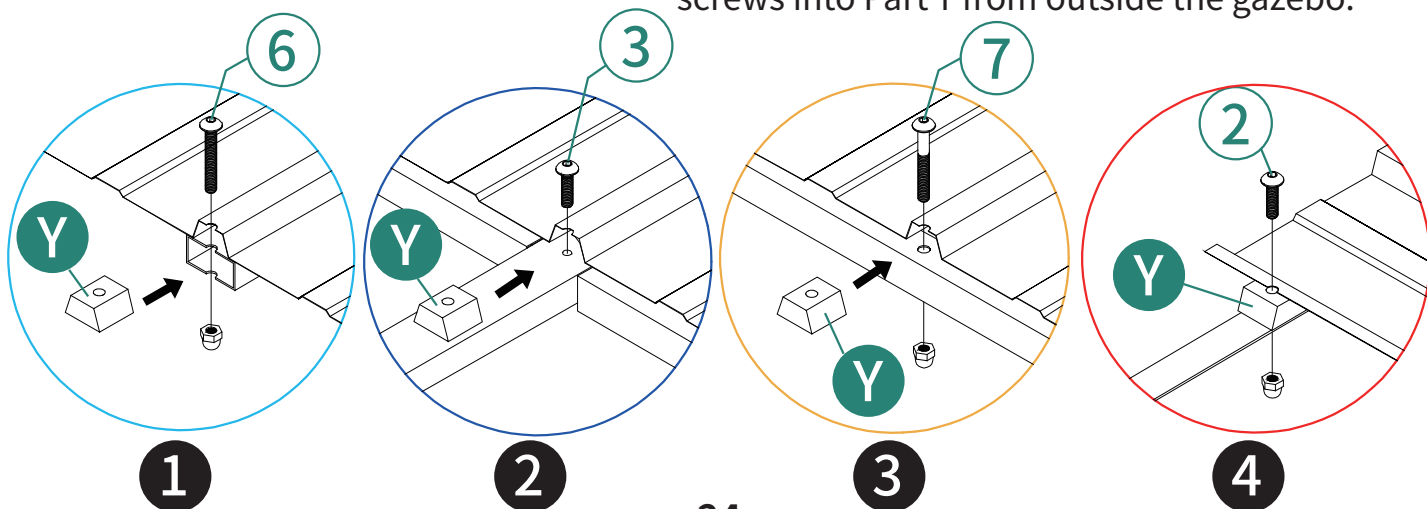
# 21

-   
 (Y) 92pcs
-   
 (2) 56pcs
-   
 (3) 8pcs
-   
 (6) 4pcs
-   
 (7) 24pcs

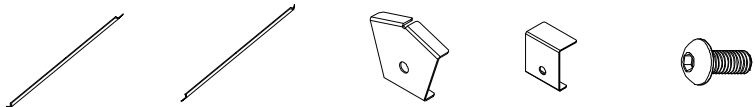


**Notes:**

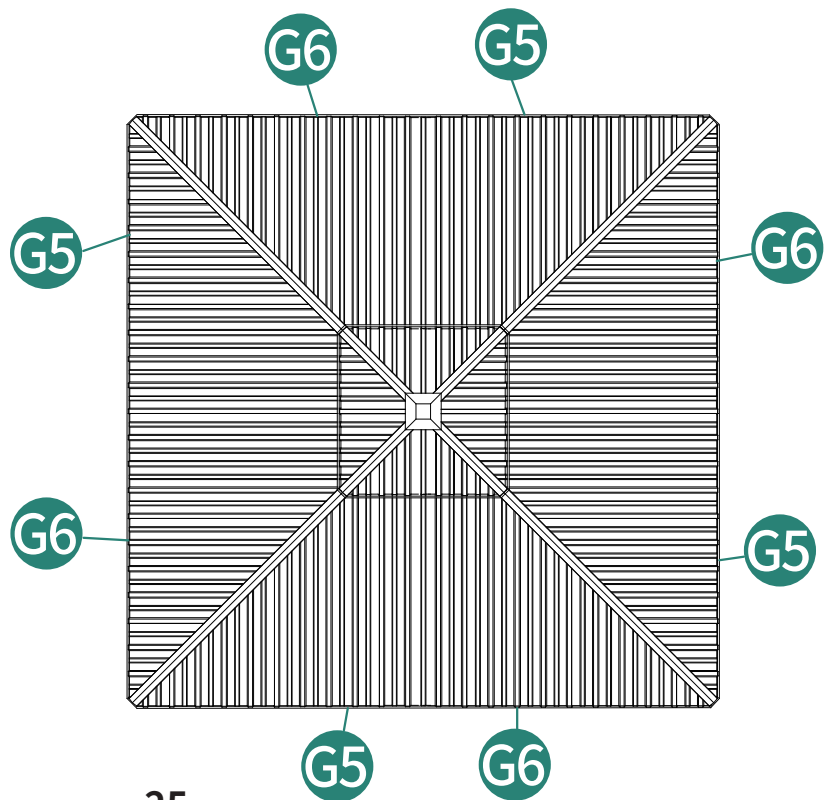
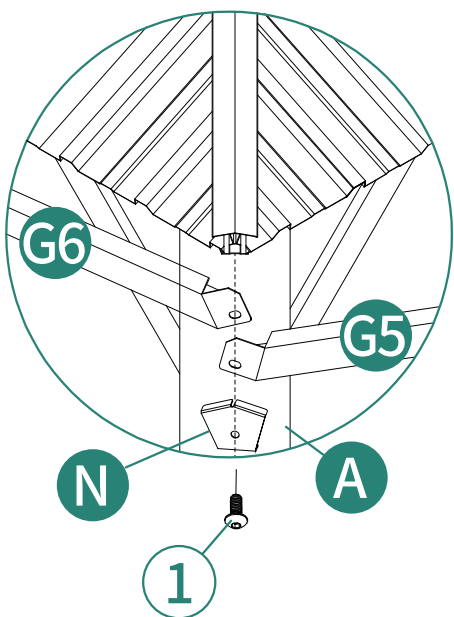
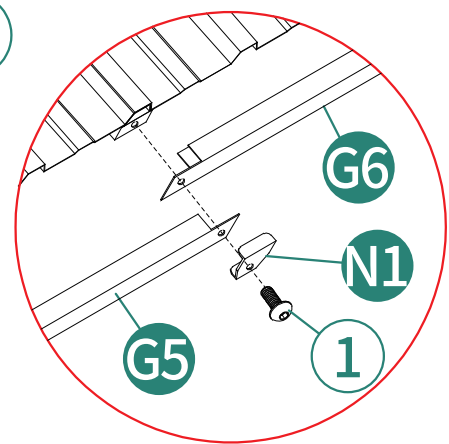
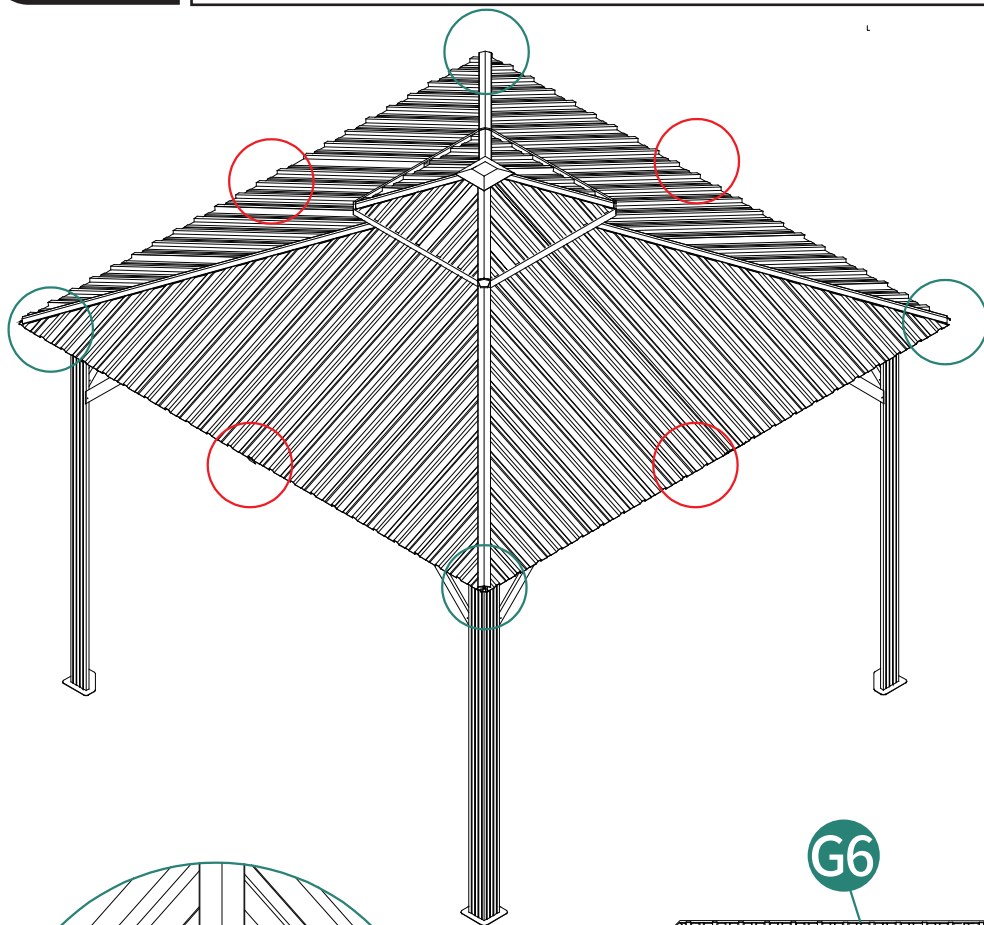
1. When installing the ceiling, fix the screws on the central beam first to prevent the iron sheet from falling and causing injury.
2. Do not fully secure the screw until all screws are properly in position.
3. Two persons are needed when installing Part Y. One should secure Part Y's position from inside the gazebo, while the other inserts screws into Part Y from outside the gazebo.



# 22



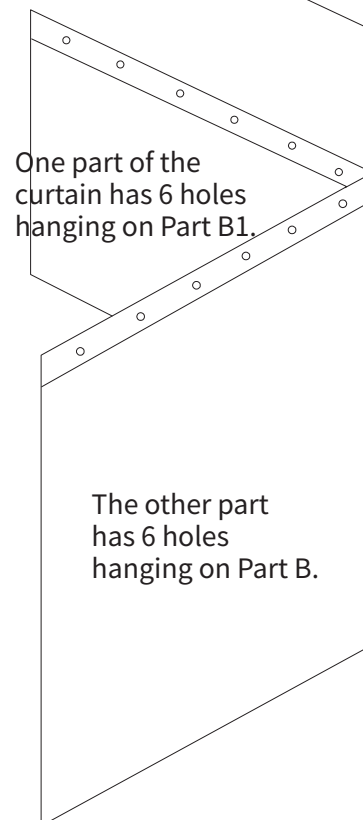
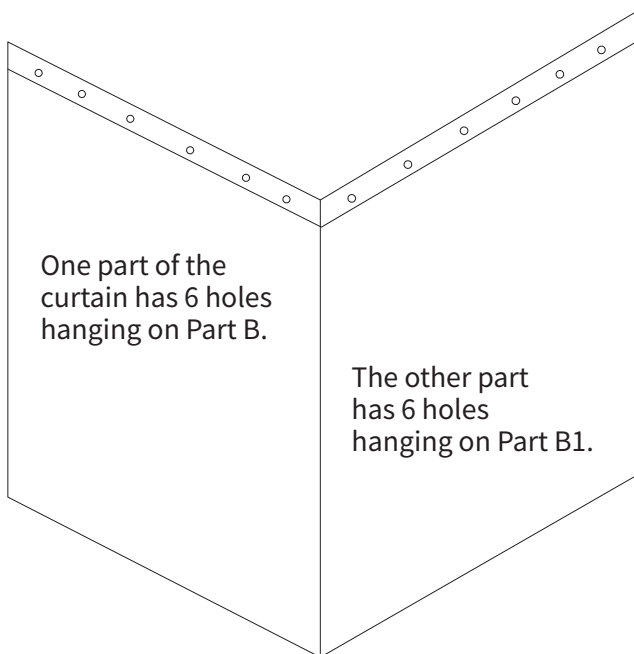
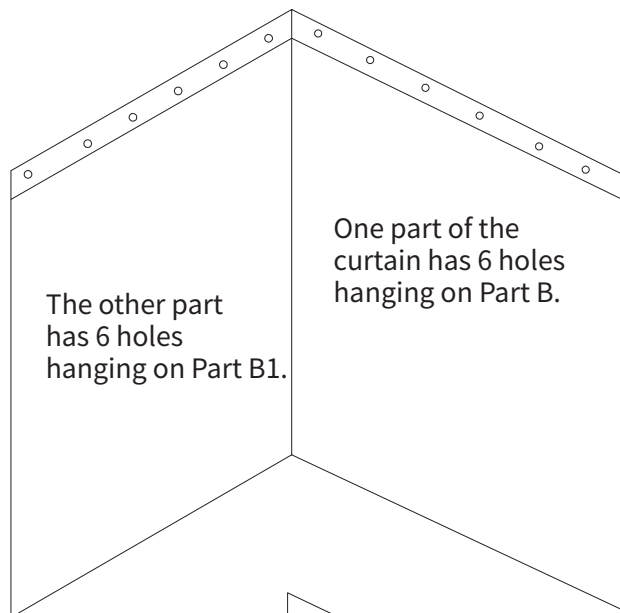
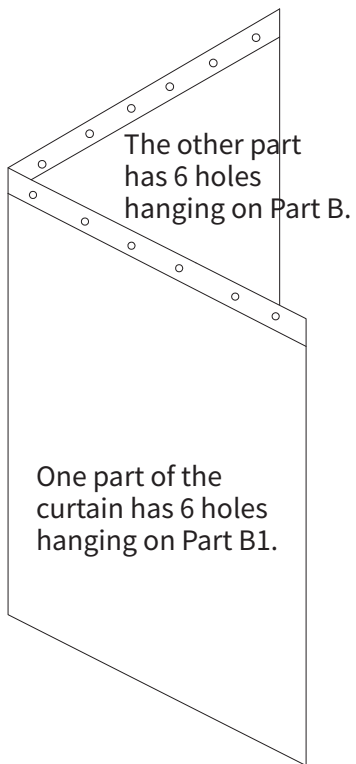
G5 4pcs G6 4pcs N 4pcs N1 4pcs 1 8pcs



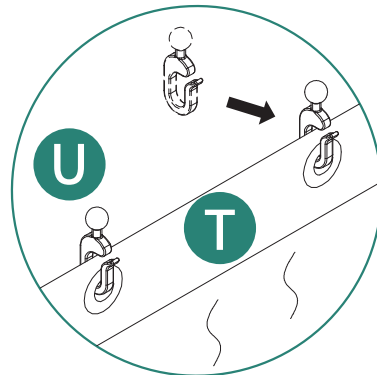
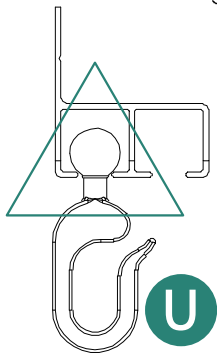
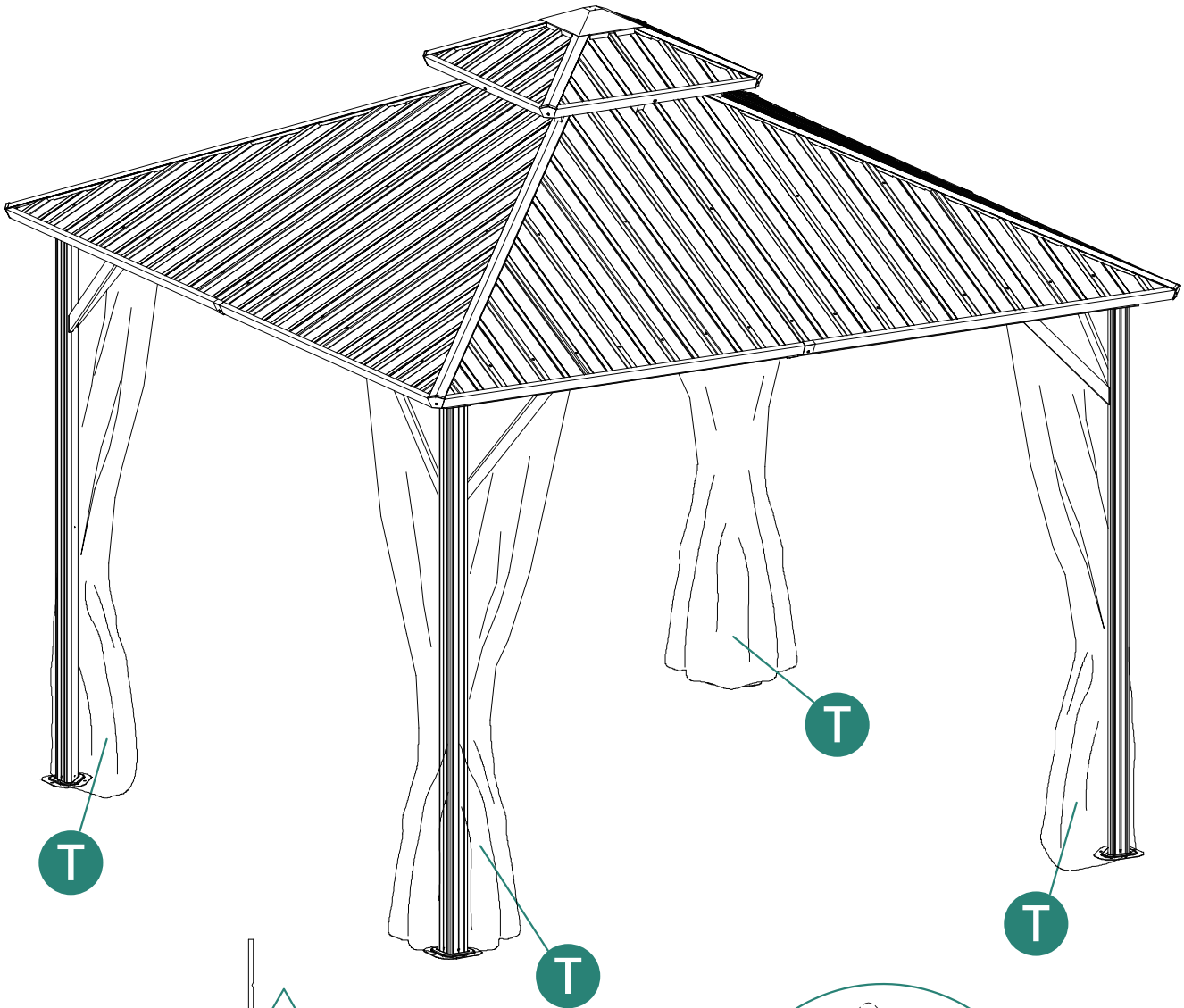
23



Ⓣ4pcs

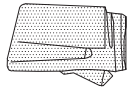


# 24

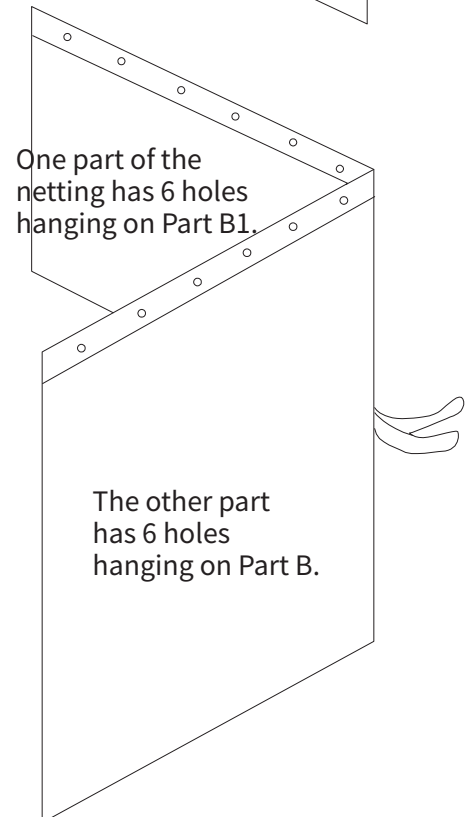
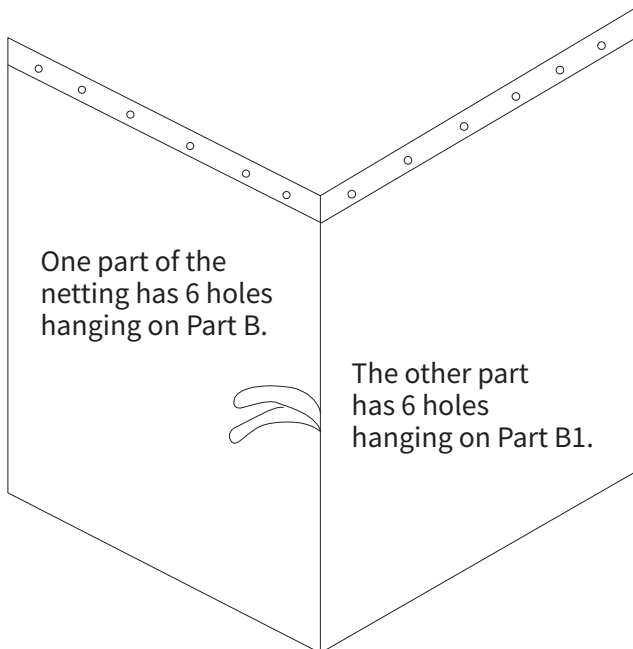
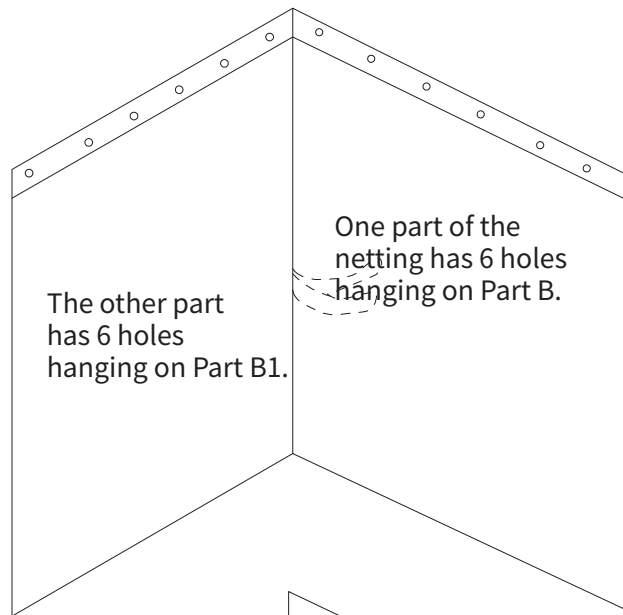
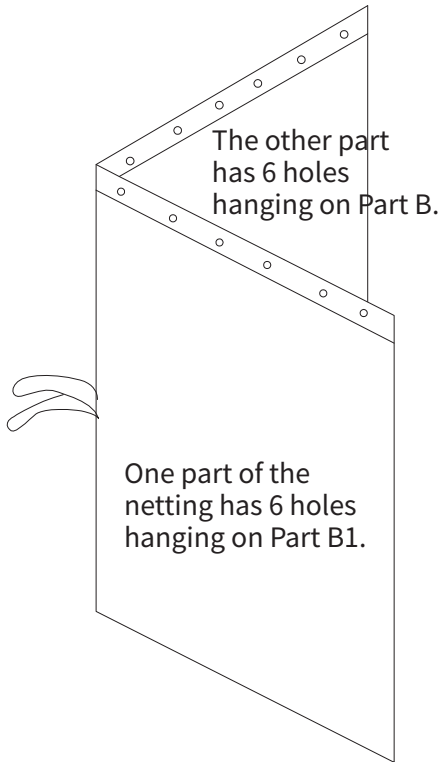


Pay attention to the sidewall curtain's installation position.

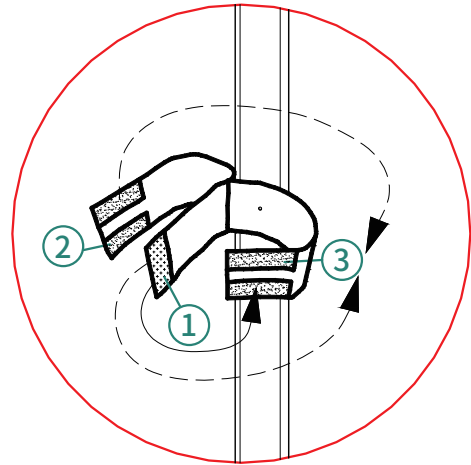
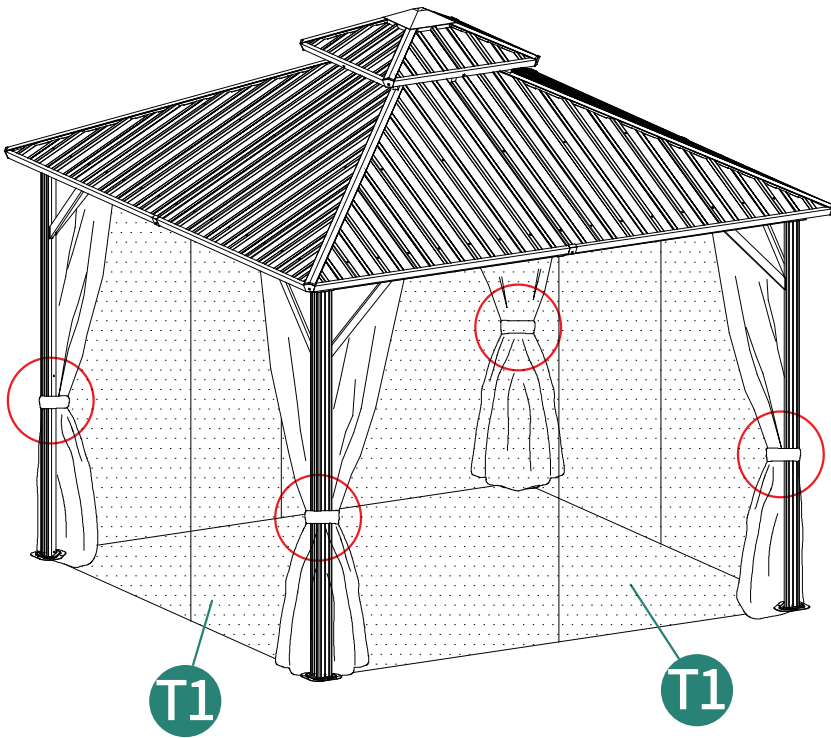
# 25



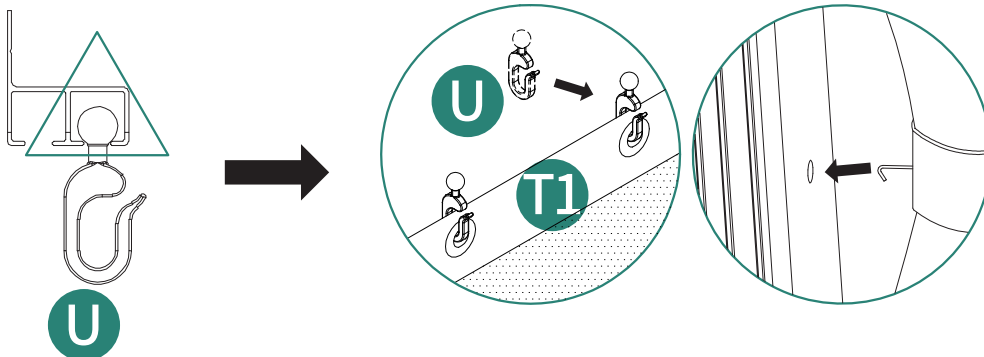
Ⓣ1 4pcs



# 26



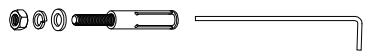
Note:  
Attach 1 to 2 to secure parts T1 and T (curtains) together.  
Attach 1 to 3 to secure the back curtain (T).  
Attach 1 to 3 to secure the front netting (T1).



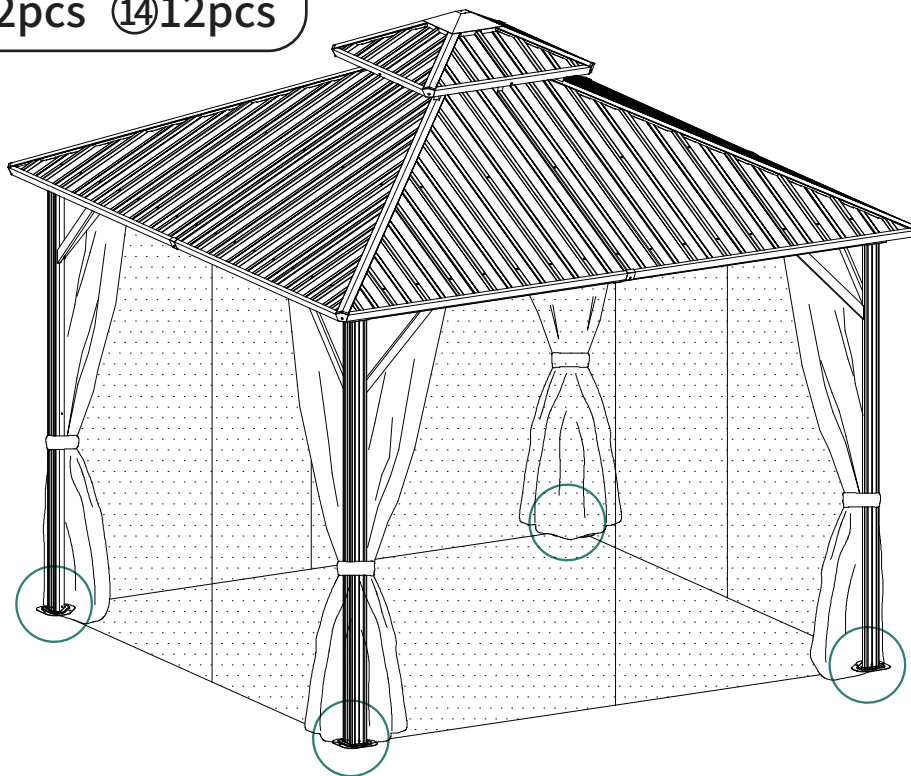
Pay attention to the sidewall netting's installation position.

Hang the hook attached to the netting on Part A.

# 27

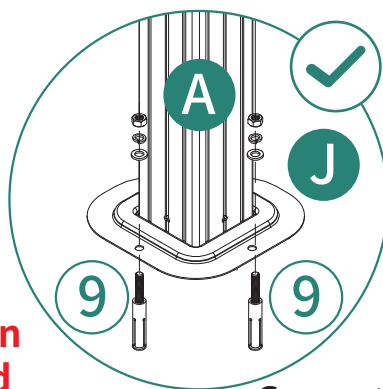


⑨12pcs ⑭12pcs

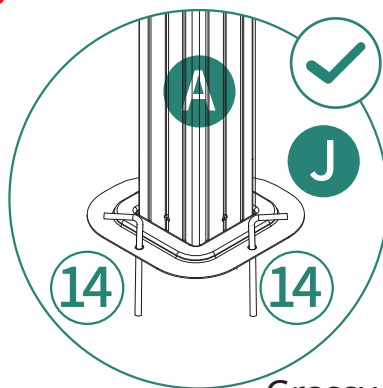
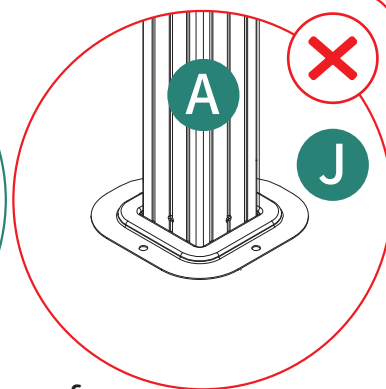


To improve wind resistance, **be sure to complete this installation step. If expansion screws or ground nails are not installed, strong winds may topple the gazebo.**

Expansion screws are essential for stability on cement surfaces, and ground nails are for grassy surfaces. All are included in the accessories package.



Cement surfaces



Grassy surfaces

