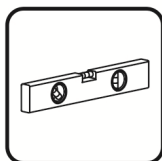
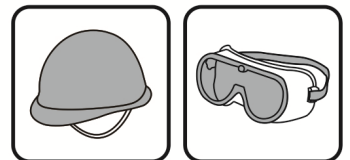
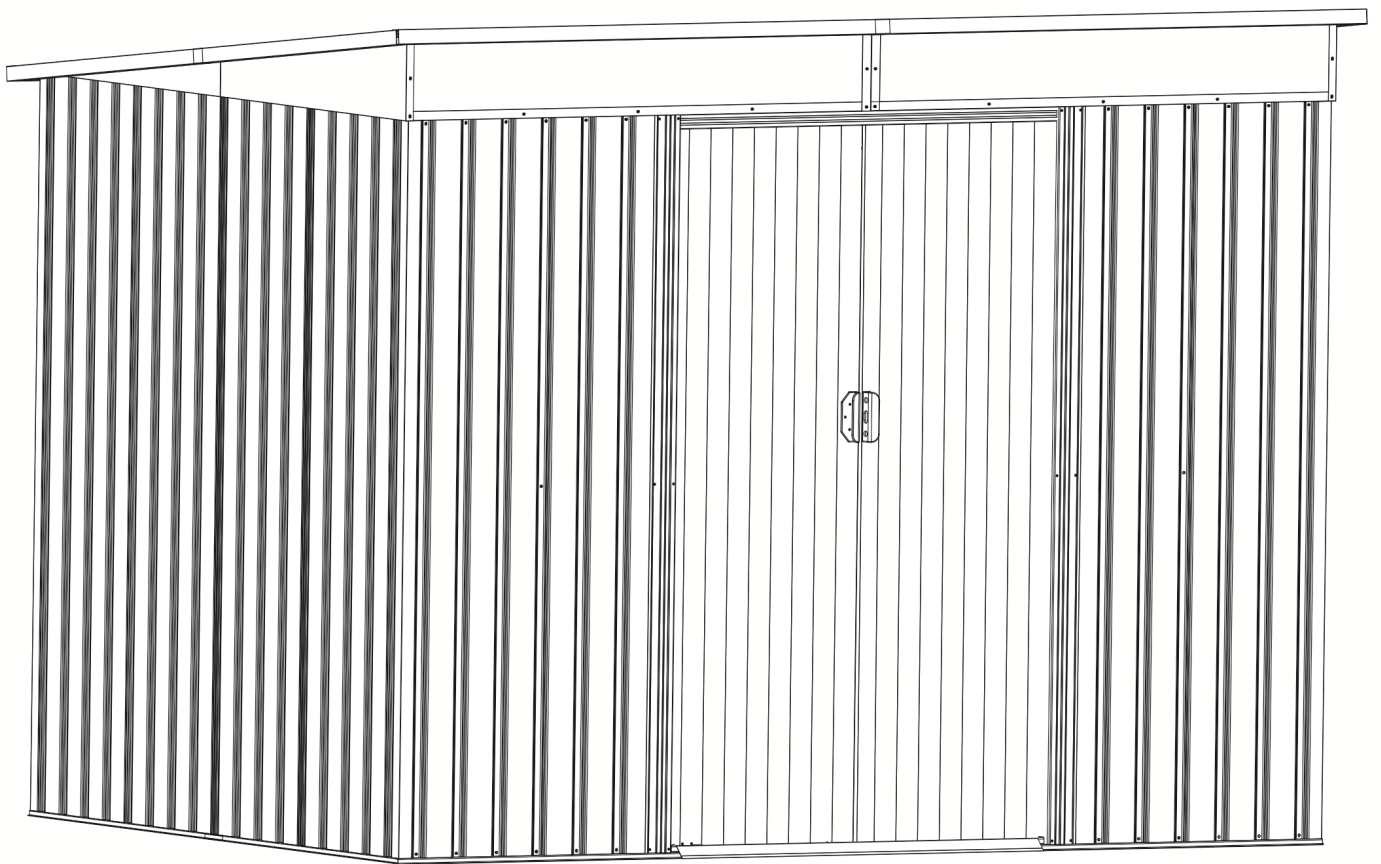




INbca051\_GL

845-174V01



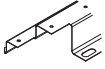
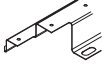
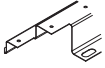
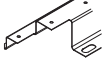


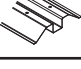
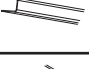


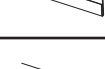
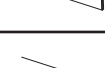
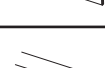
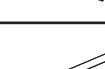


IMPORTANT, RETAIN FOR FUTURE REFERENCE: READ CAREFULLY












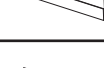
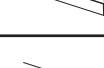
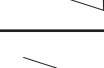
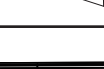

Tools Recommended

# ASSEMBLY & INSTRUCTION MANUAL







# Product List










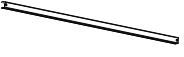
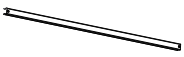
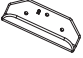




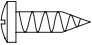
BOX 2/2	NO.	PART	Qty.
	1		2
	2		2
	4L		1
	4R		1
	3L		1
	3R		1
	5		1
	6		1
	7		1
	8		1
	9		1
	10L		1
	10R		1
	11		1
	16A		1
	17A		1
	15		2


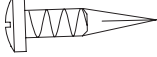


BOX 2/2	NO.	PART	Qty.
	16		1
	17		1
	18		2
	21L-1		1
	21L-2		1
	21R-1		1
	21R-2		1
	13		1
	14		1
	20		4
	27		2
	22		2
	23		2
	24L		1
	24R		1
	P1		2
	P3		2




# Product list

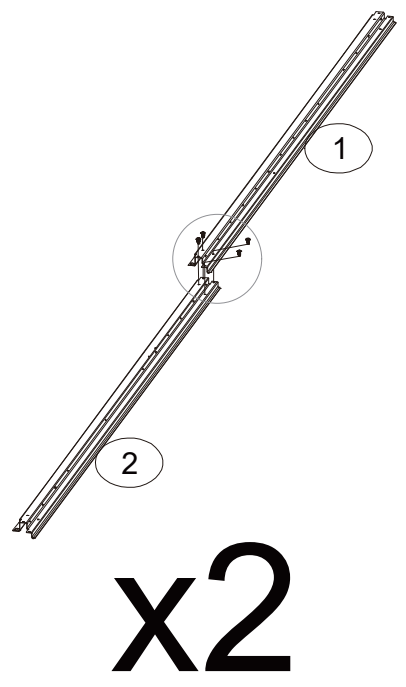
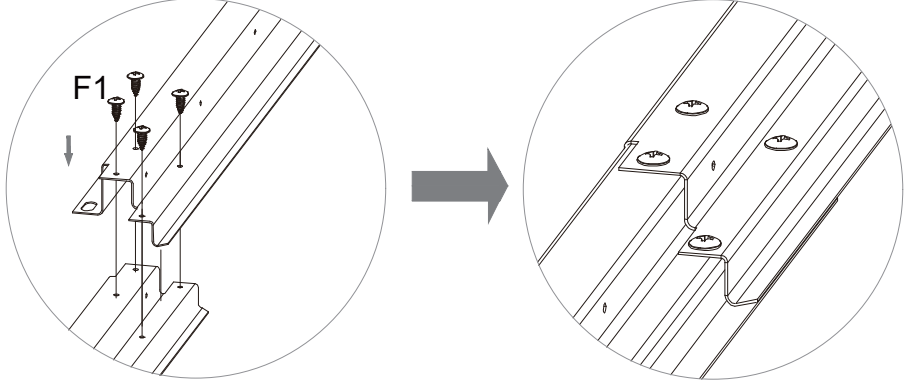
BOX 2/2	NO.	PART	Qty.
	P5		3
	P6		3
	P5A		3
	P6A		3




# Product List

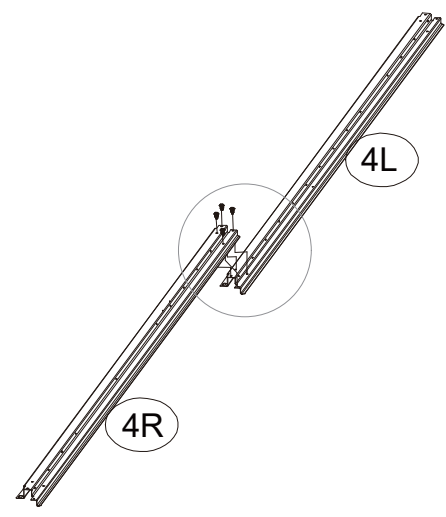
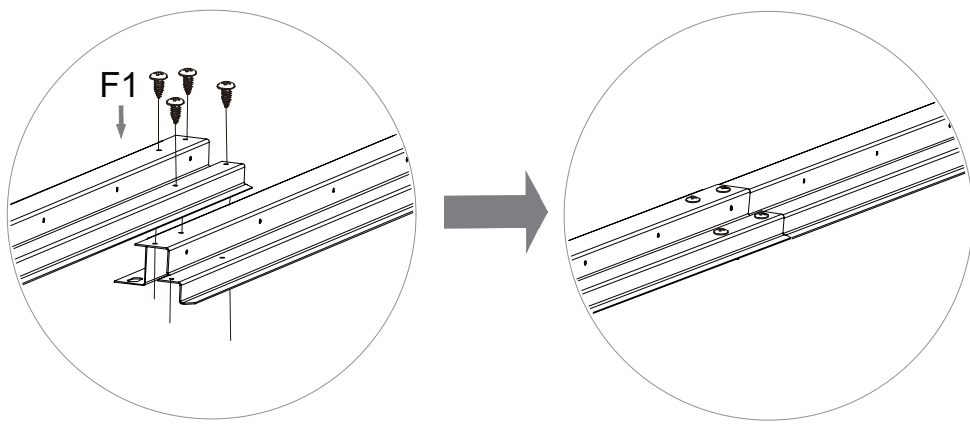
BOX 1/2	NO.	PART	Qty.
	P2		2
	P2A		2
	P3		10
	25L		1
	25R		1
	12L		1
	12R		1
	D1		1
	D2		1
	B2		2
	B3		2
	GB		2
	GC		4
	GD		4
	G2		4
	GL		2
	F1		350


BOX 1/2	NO.	PART	Qty.
	F2		70
	F3		12
	S1		260
	S2		430

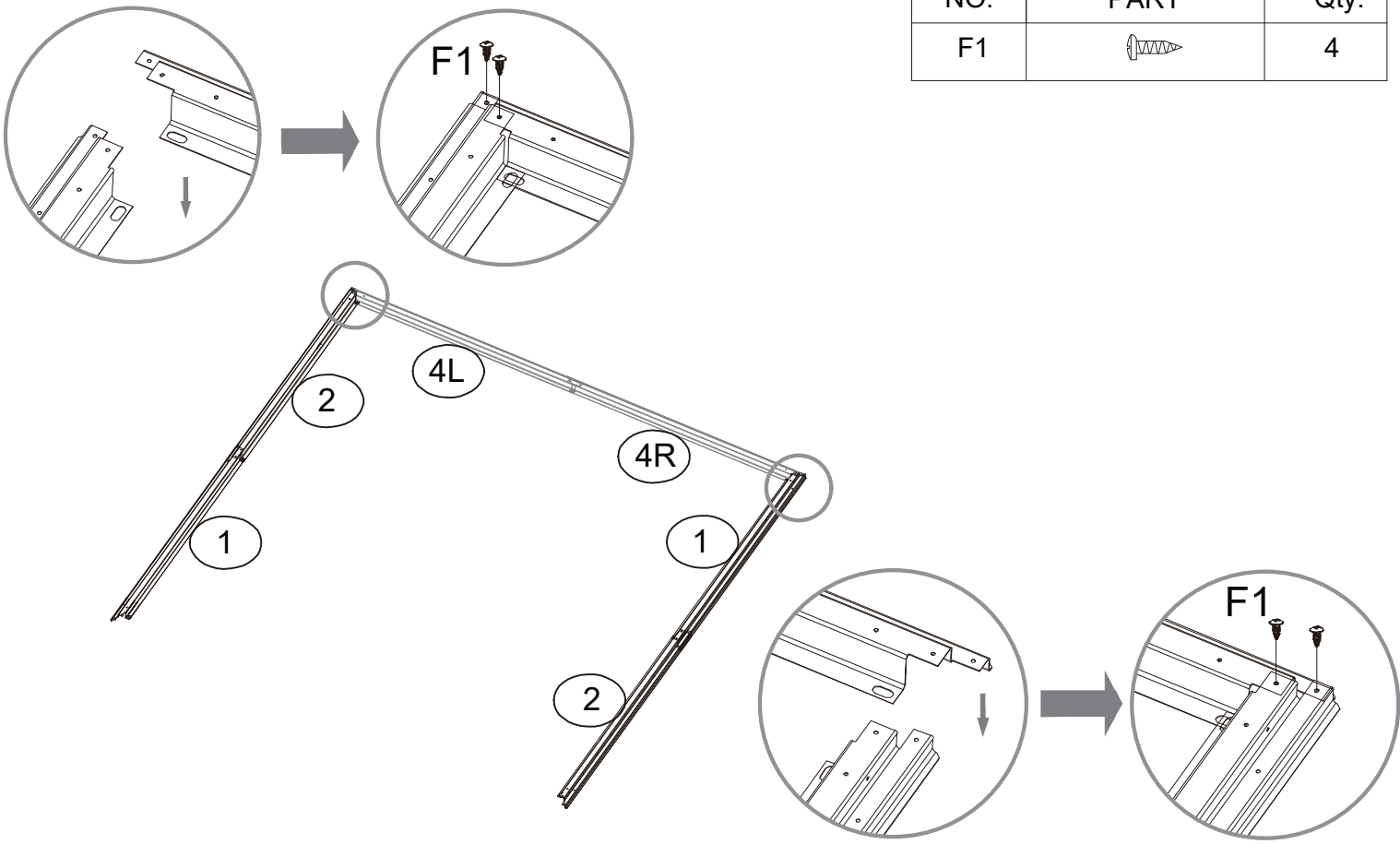
NO.	PART	Qty.
1		2
2		2
F1		8






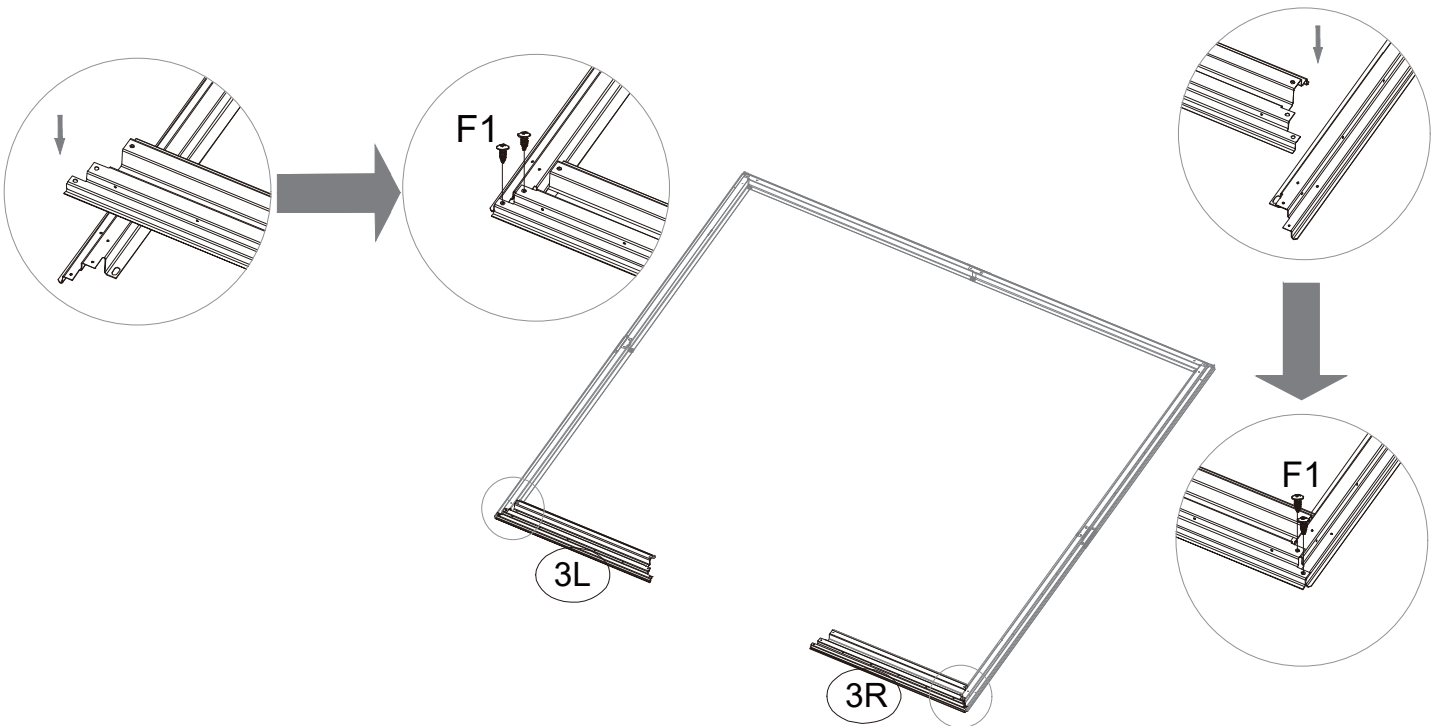
NO.	PART	Qty.
4L		1
4R		1
F1		4





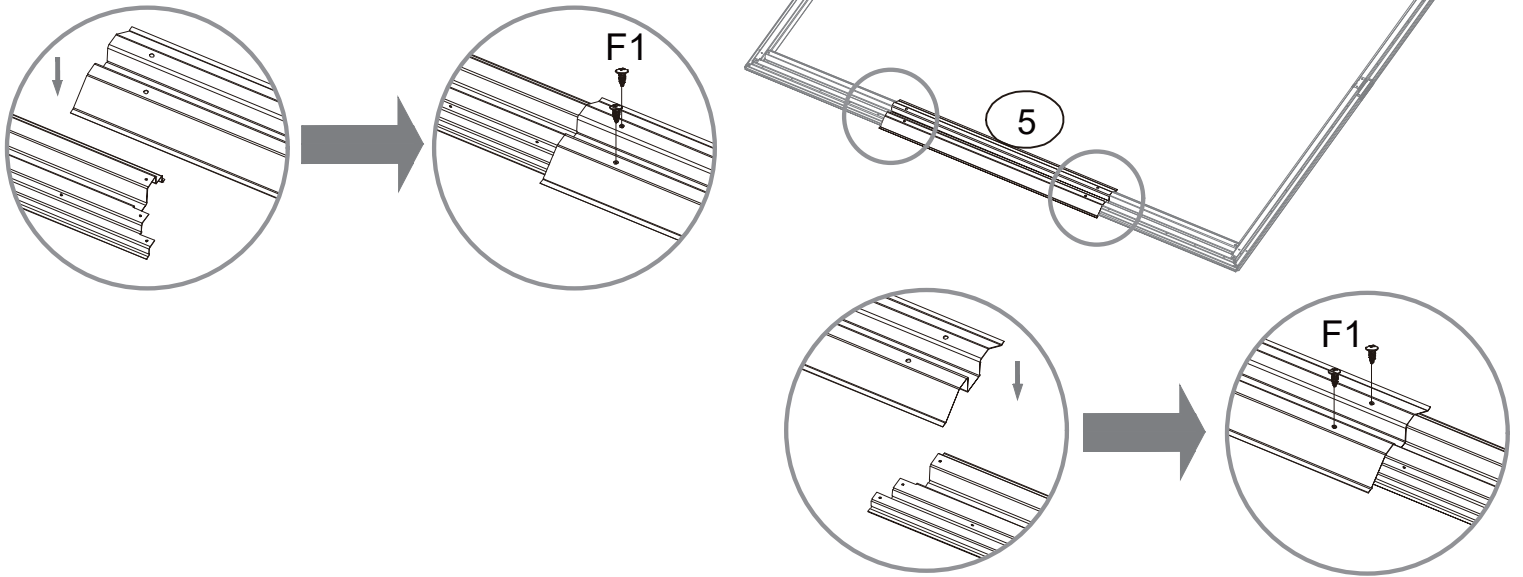
NO.	PART	Qty.
F1		4







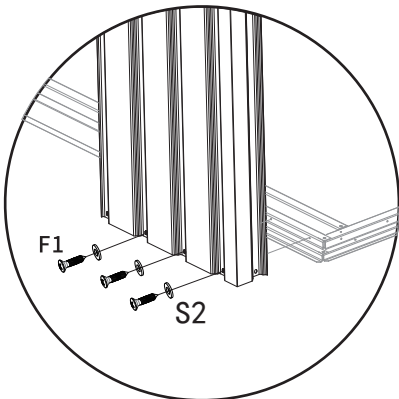
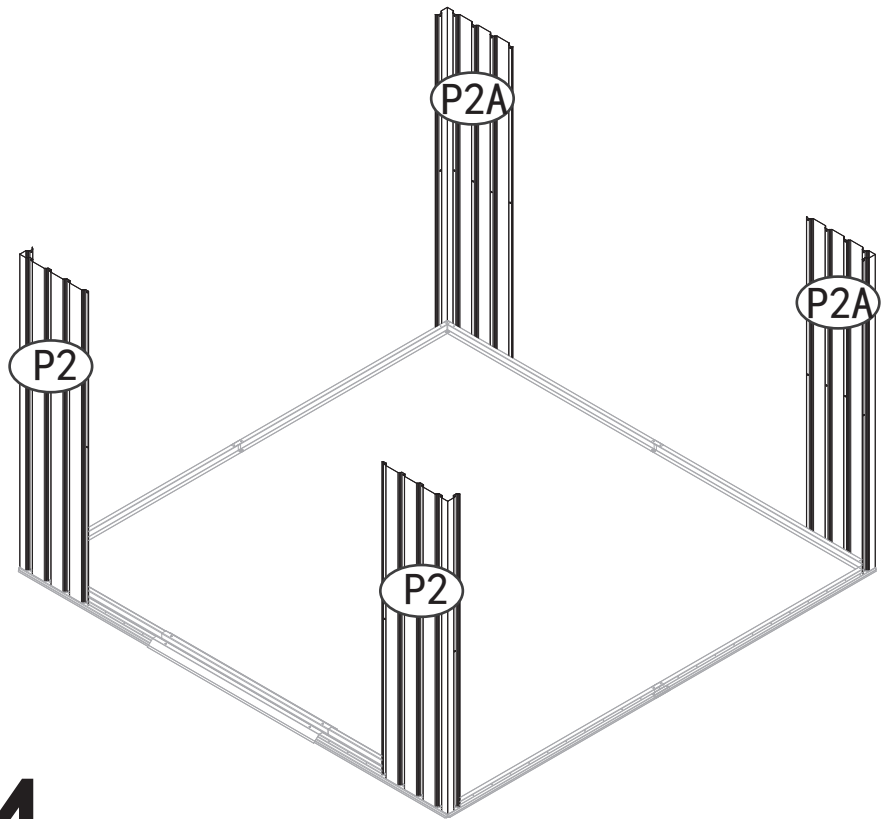
NO.	PART	Qty.
3L		1
3R		1
F1		4






NO.	PART	Qty.
5		1
F1		4

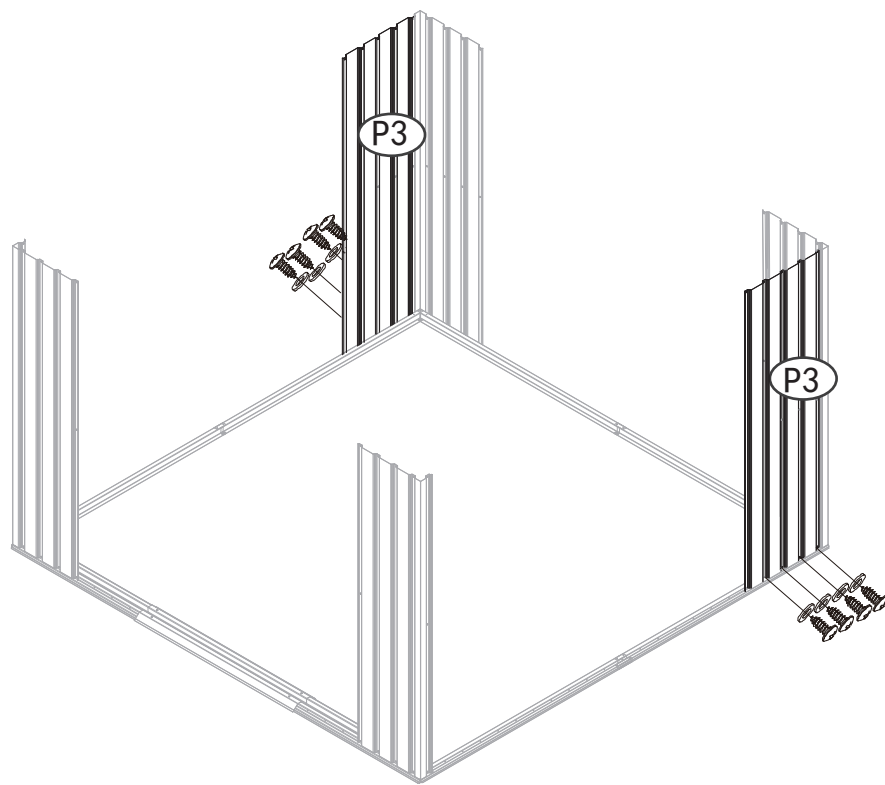
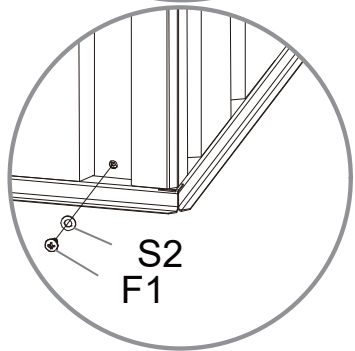
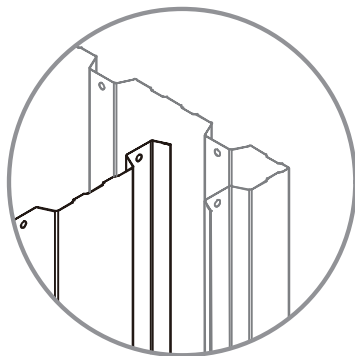





NO.	PART	Qty.
P2		2
P2A		2
F1		12
S2		12

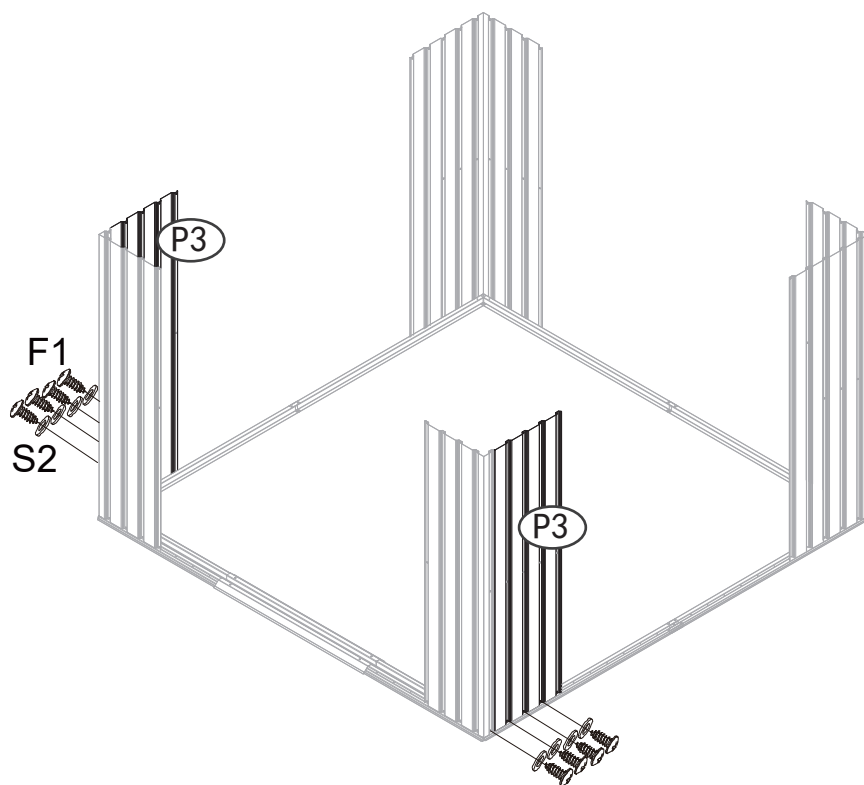




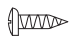

**X4**

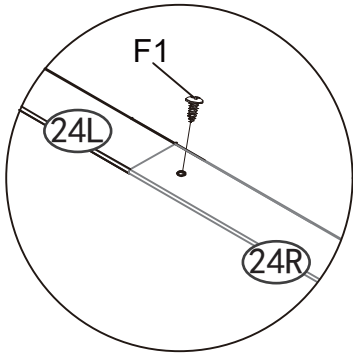
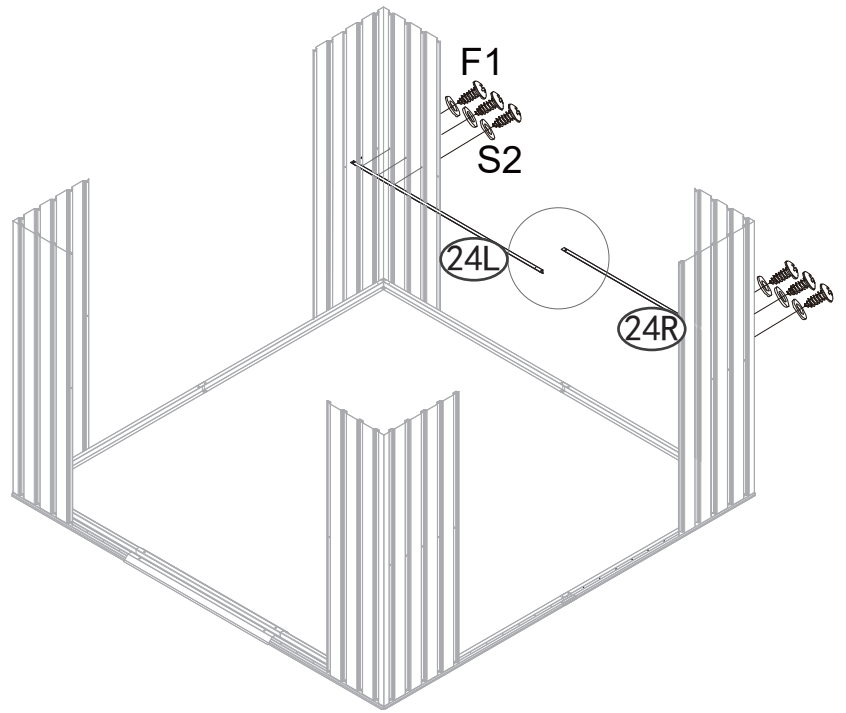
NO.	PART	Qty.
P3		2
F1		8
S2		8



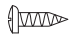



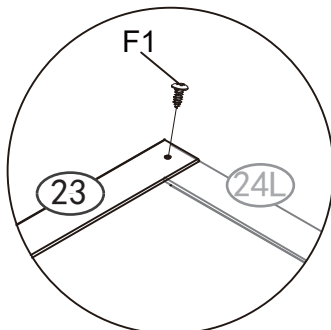
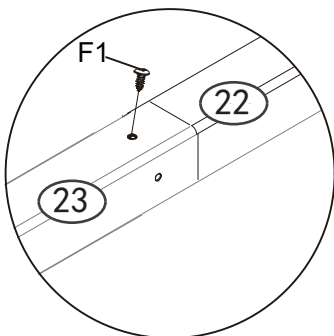
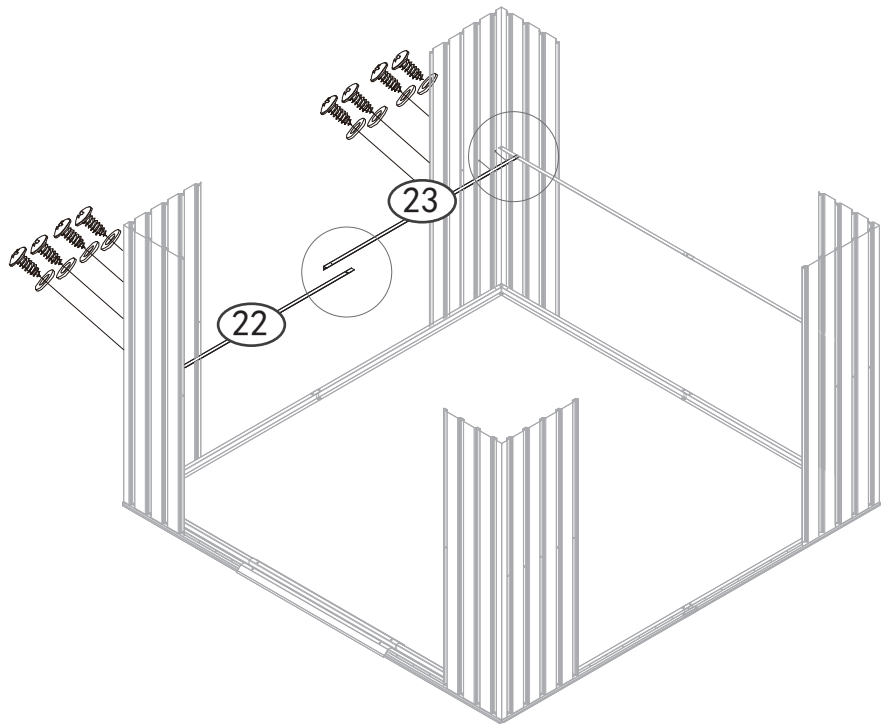
NO.	PART	Qty.
P3		2
F1		8
S2		8



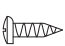



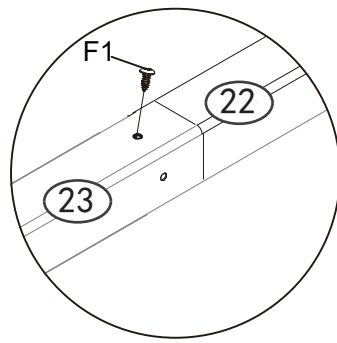
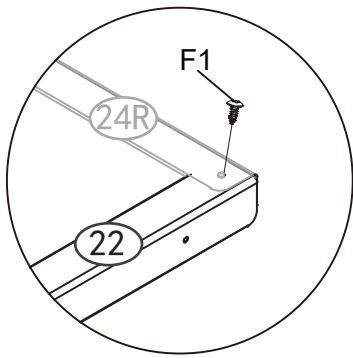
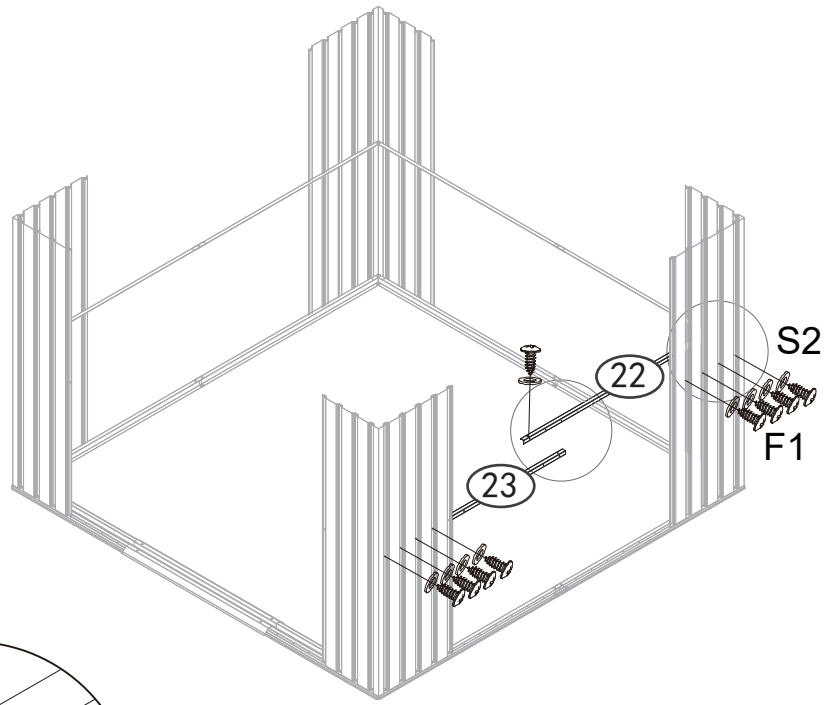
NO.	PART	Qty.
24L		1
24R		1
F1		7
S2		6

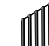




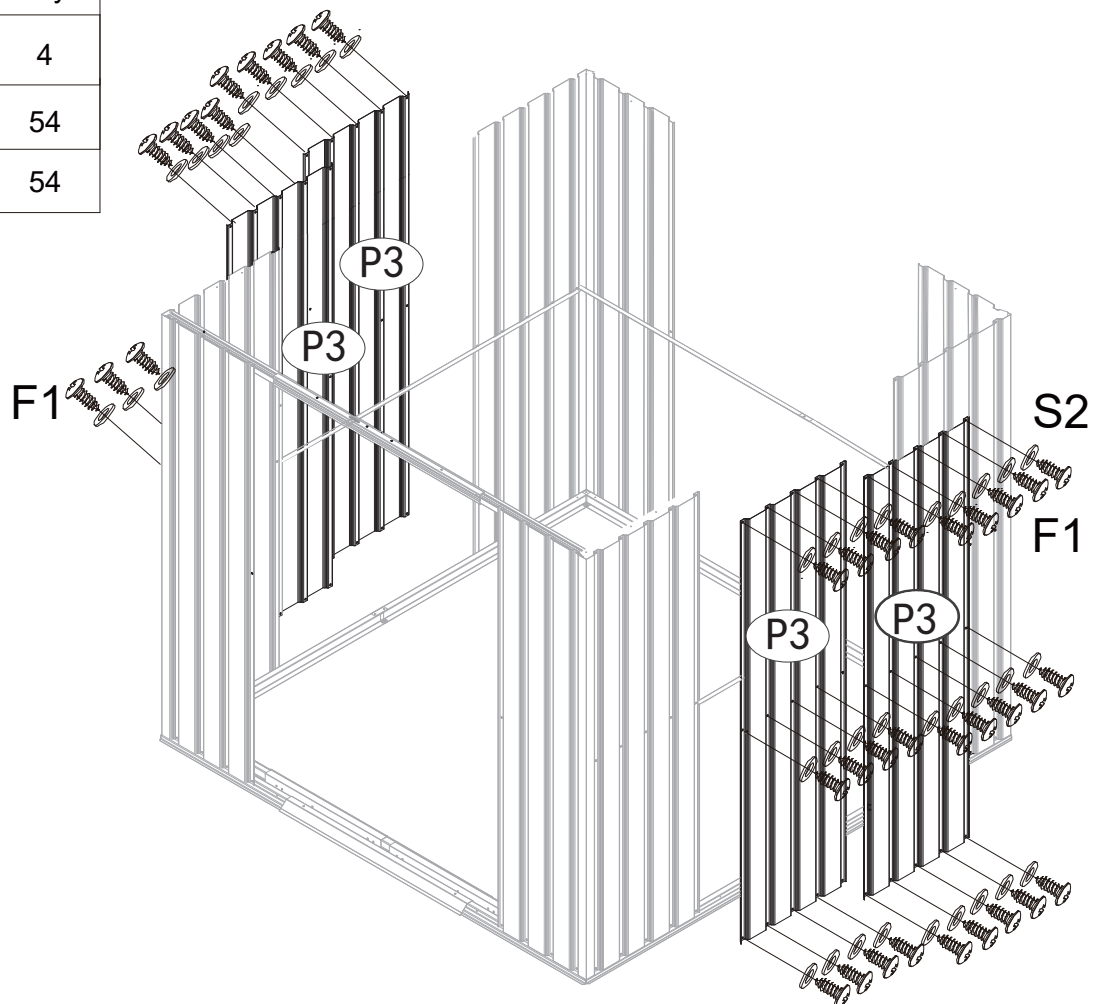
NO.	PART	Qty.
22		1
23		1
F1		9
S2		8



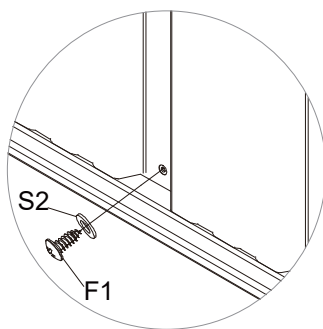
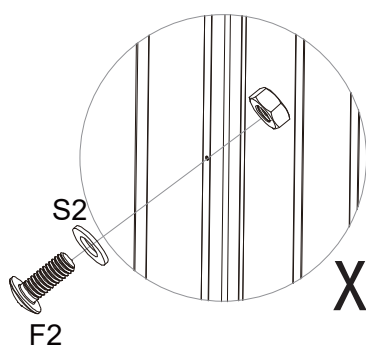
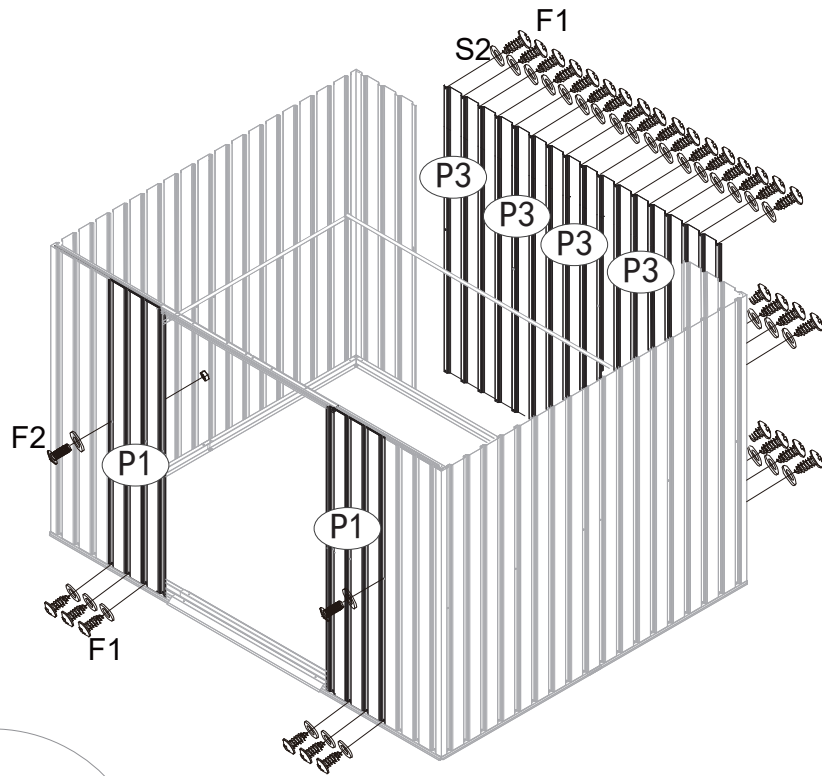
NO.	PART	Qty.
22		1
23		1
F1		10
S2		8



NO.	PART	Qty.
P3		4
F1		54
S2		54

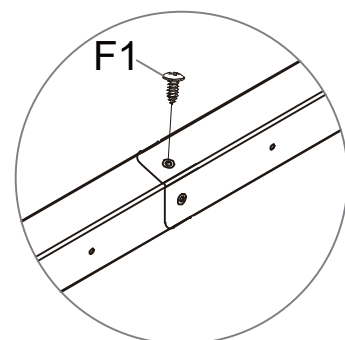
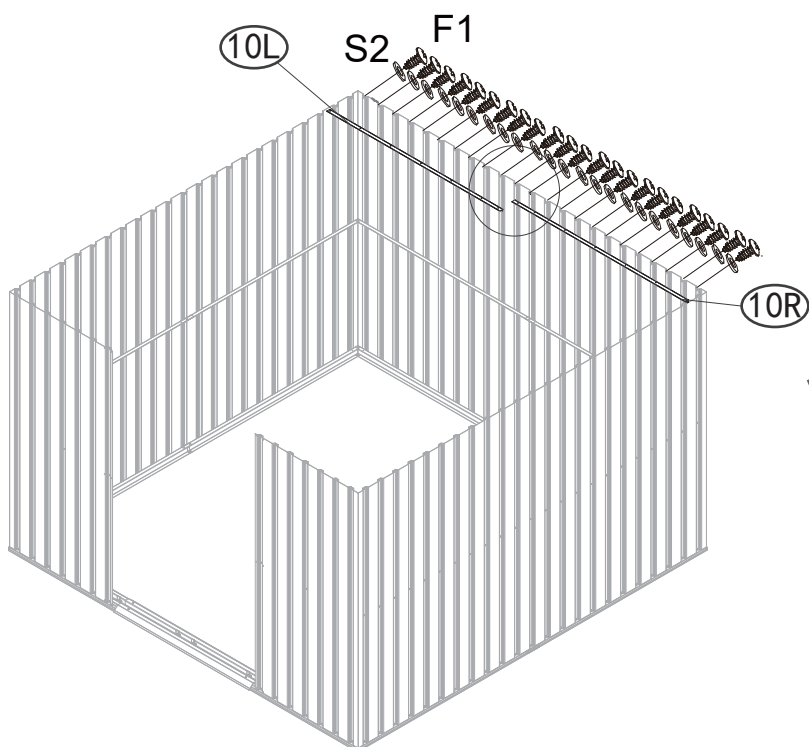
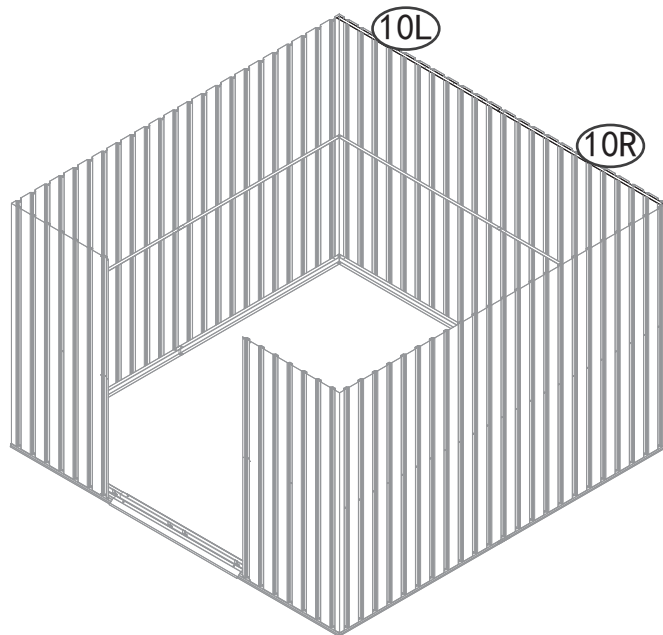






NO.	PART	Qty.
P3		4
P1		2
F1		57
F2		2
S2		59

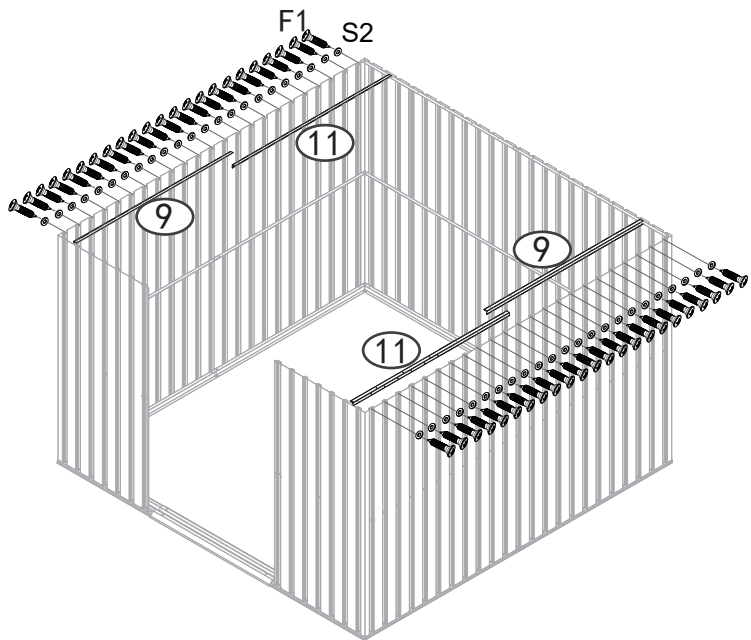
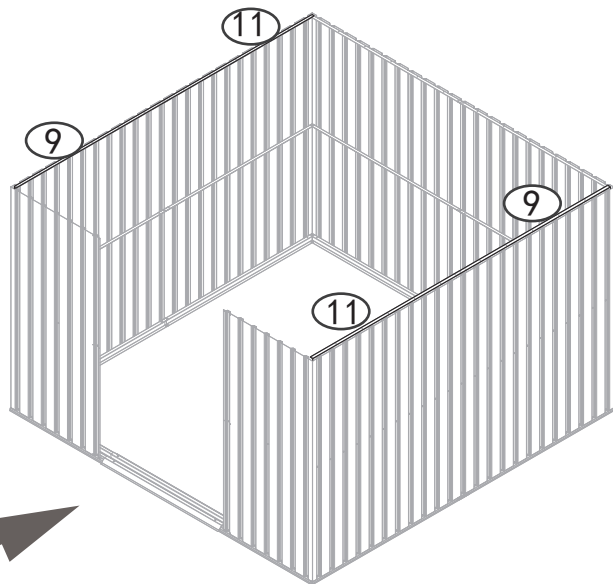








X2

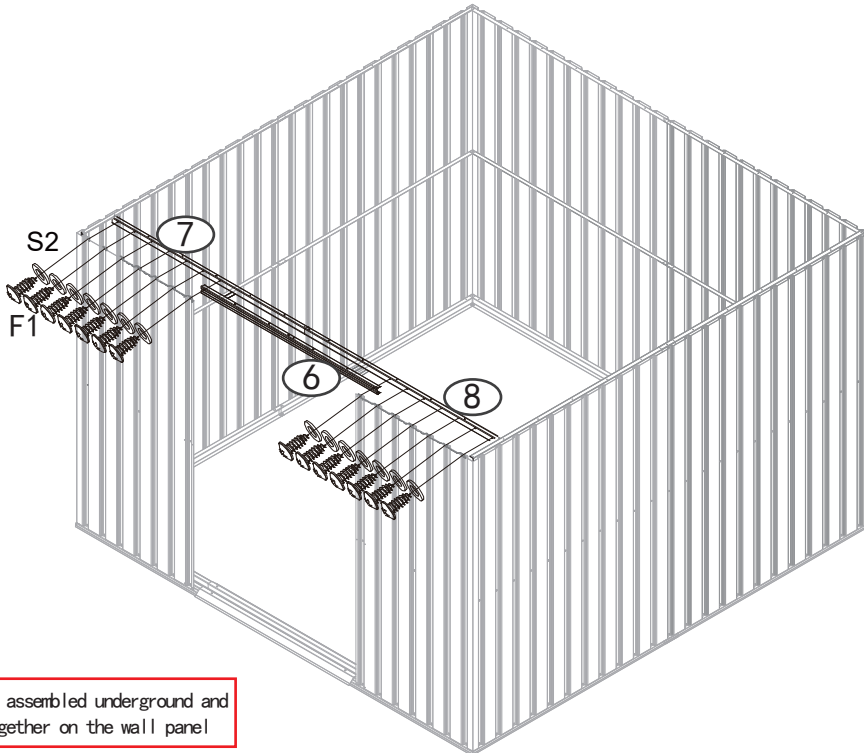
NO.	PART	Qty.
10L		1
10R		1
F1		23
S2		23



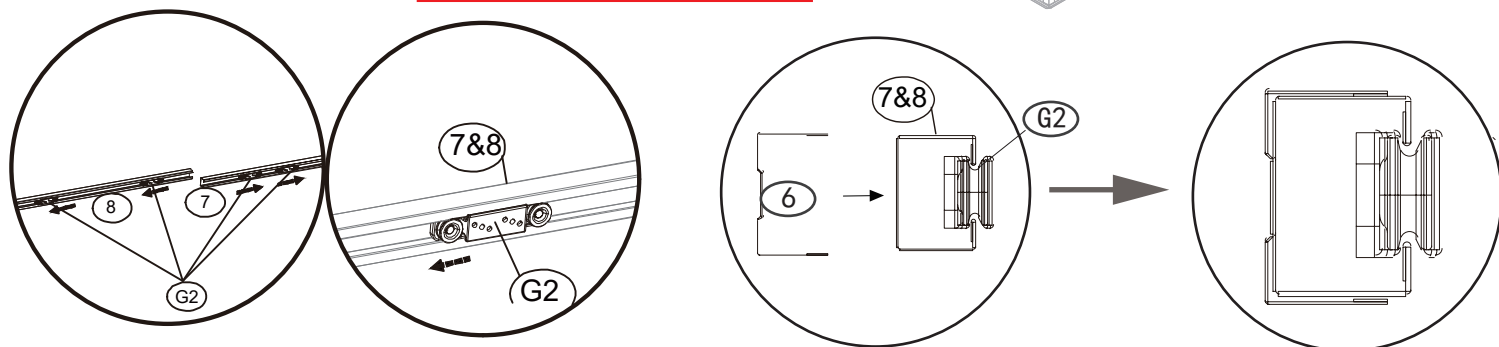
NO.	PART	Qty.
9		2
11		2
F1		46
S2		46







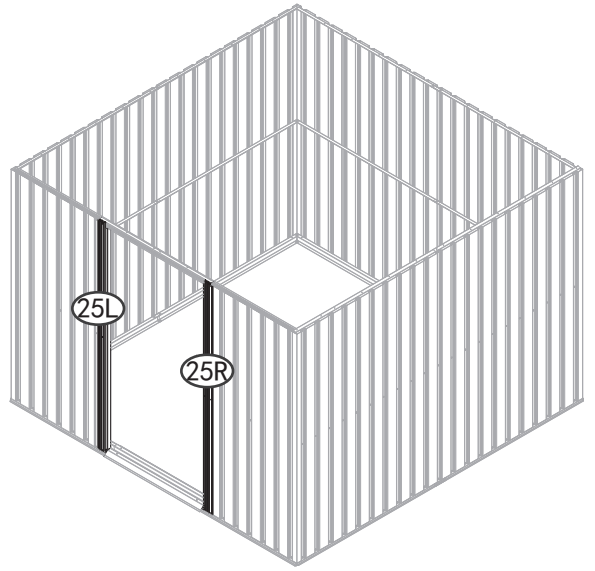
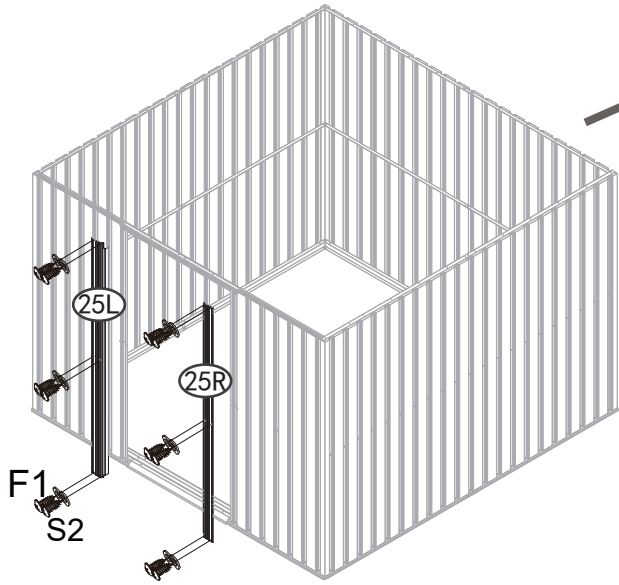
NO.	PART	Qty.
6		1
7		1
8		1
G2		4
F1		14
S2		14

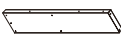
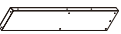





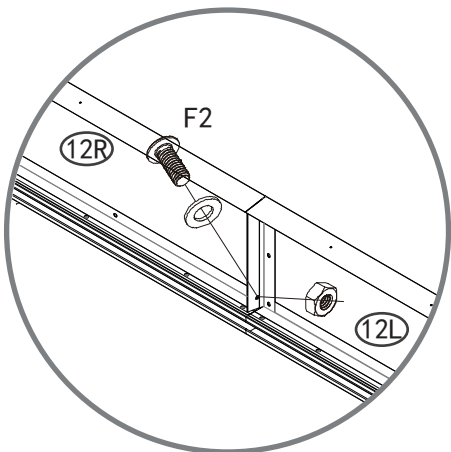
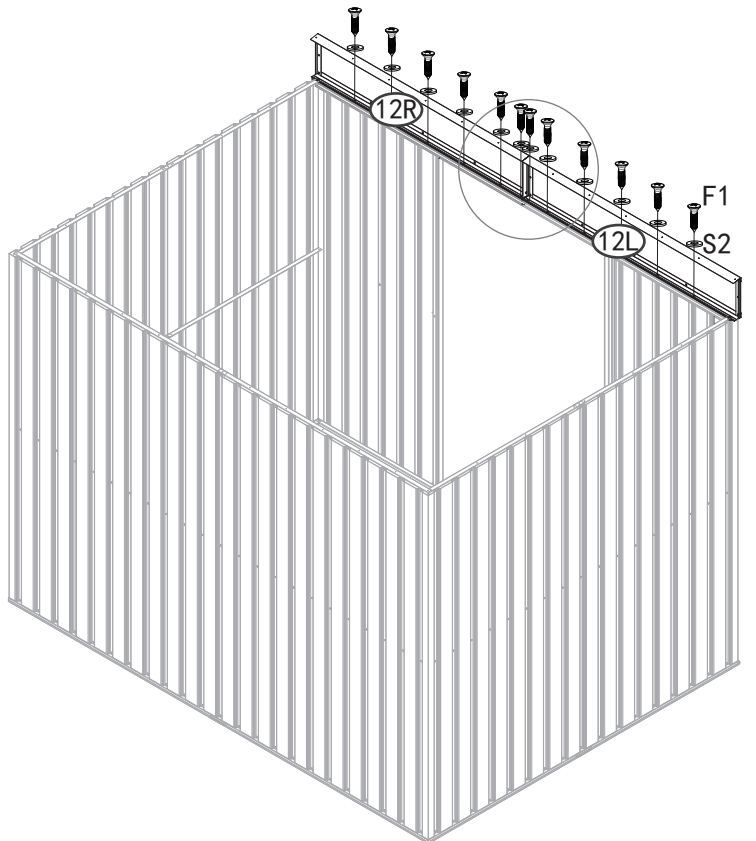
6, 7 and 8 can be assembled underground and then assembled together on the wall panel



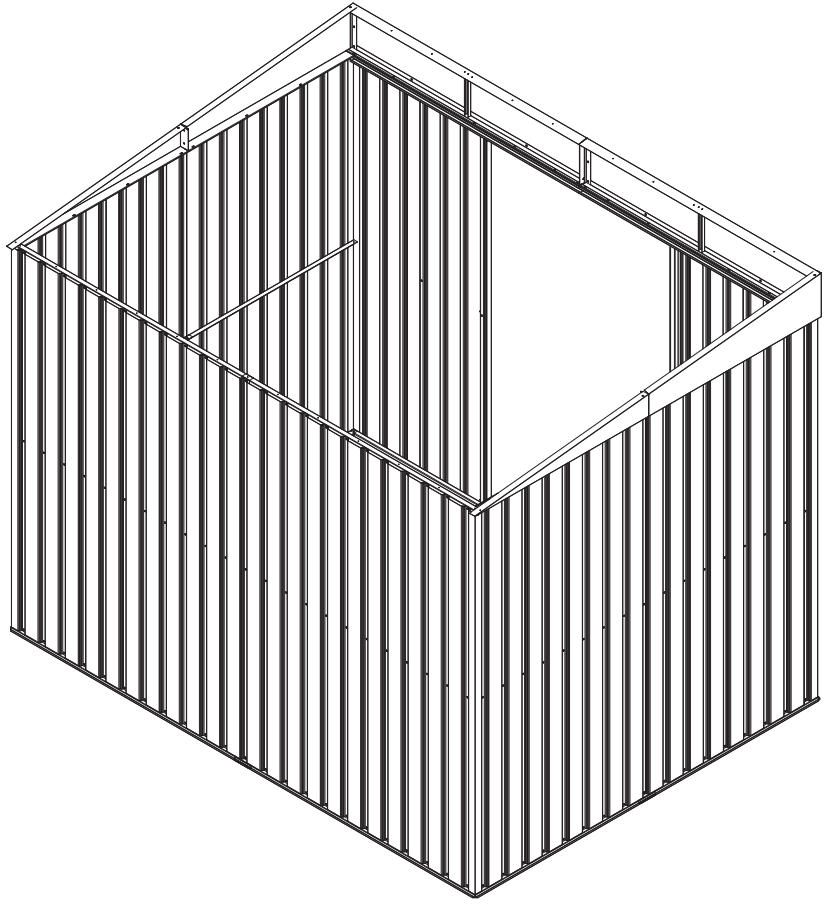
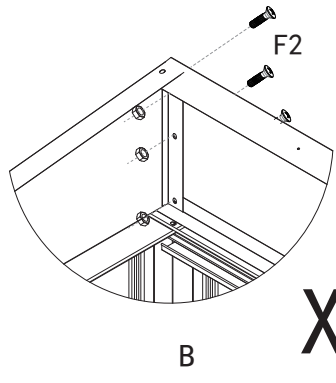
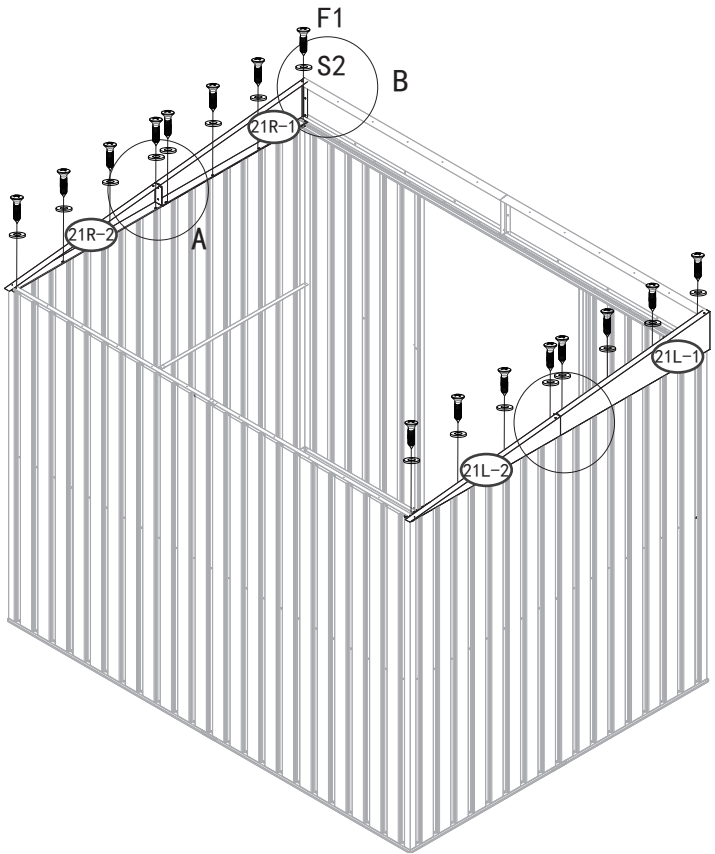
NO.	PART	Qty.
25L		1
25R		1
F1		12
S2		12







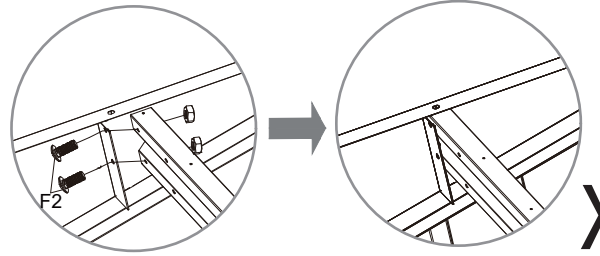
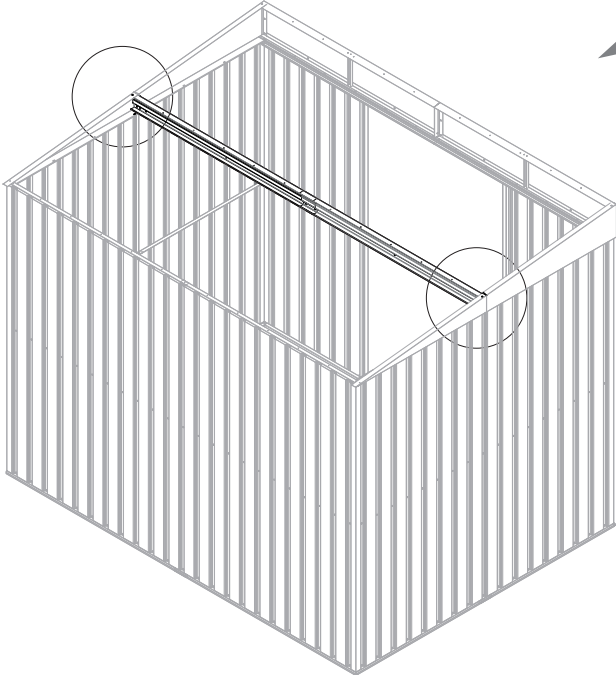
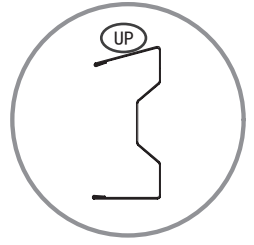
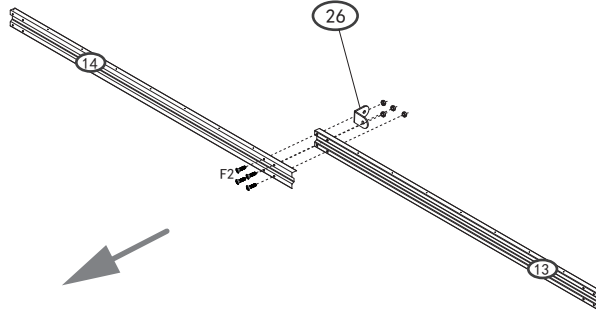
PART	NO.	Qty.
	12L	1
	12R	1
	F2	1
	F1	12
	S2	12





PART	NO.	Qty.
	21L-1	1
	21L-2	1
	21R-1	1
	21R-2	1
	F2	6
	F1	12
	S2	12

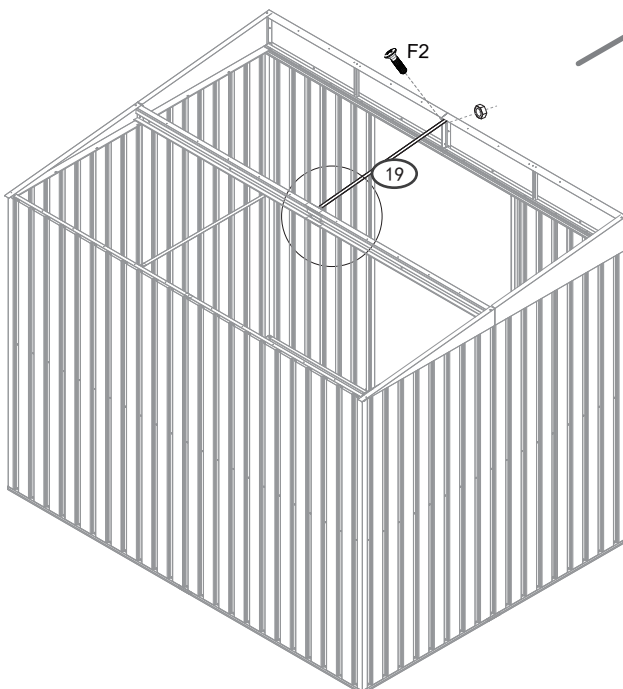
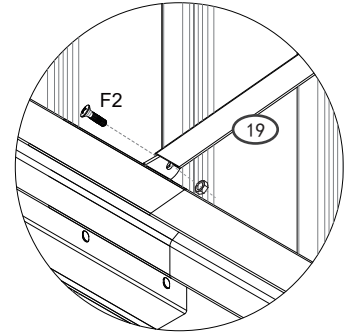






NO.	PART	Qty.
13		1
14		1
26		1
F2		8

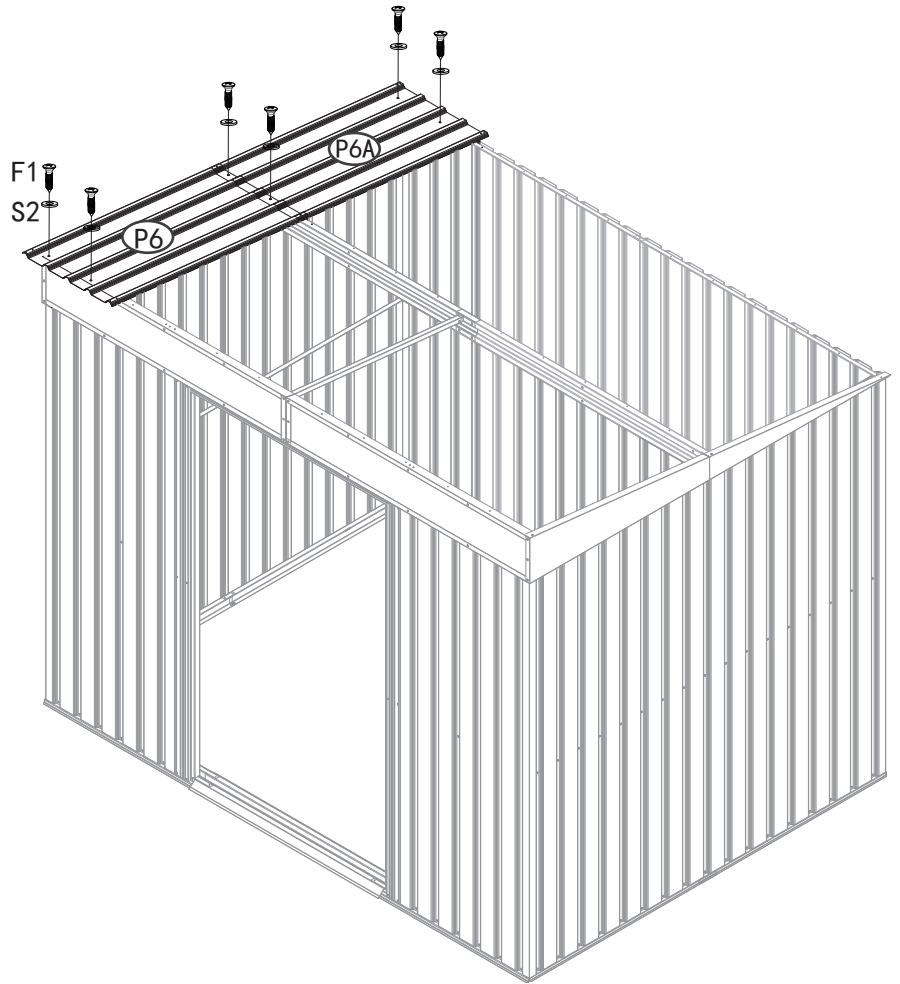






X2

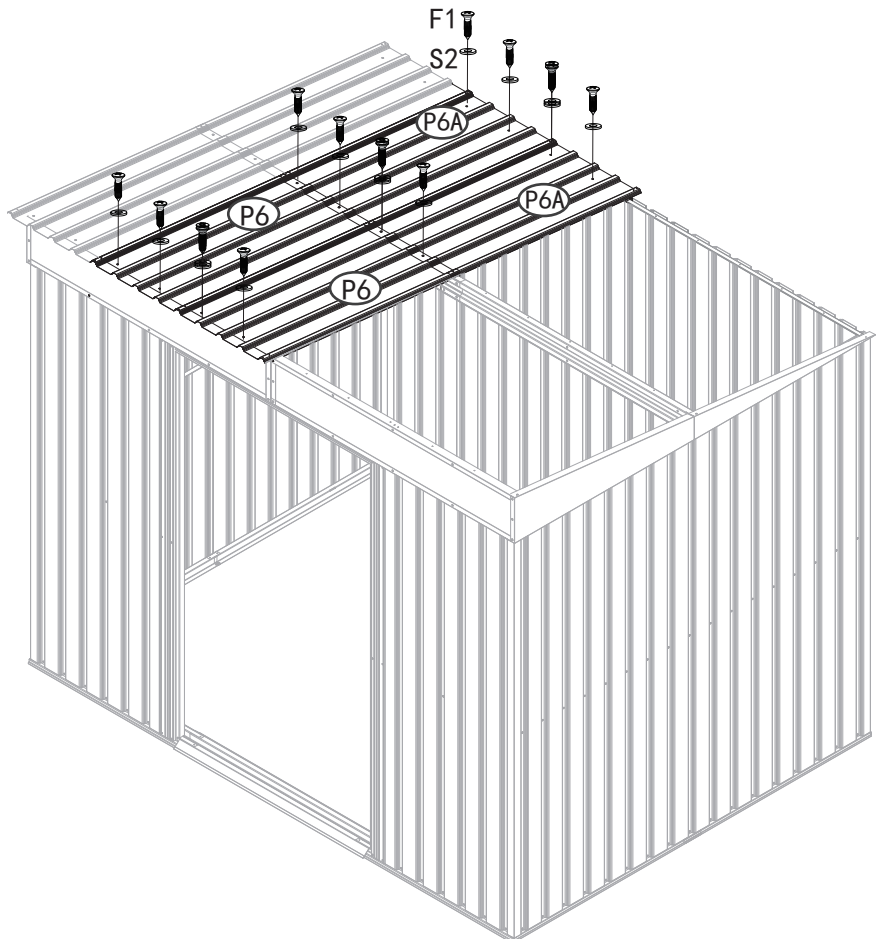
PART	NO.	Qty.
	19	1
	F2	2



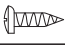



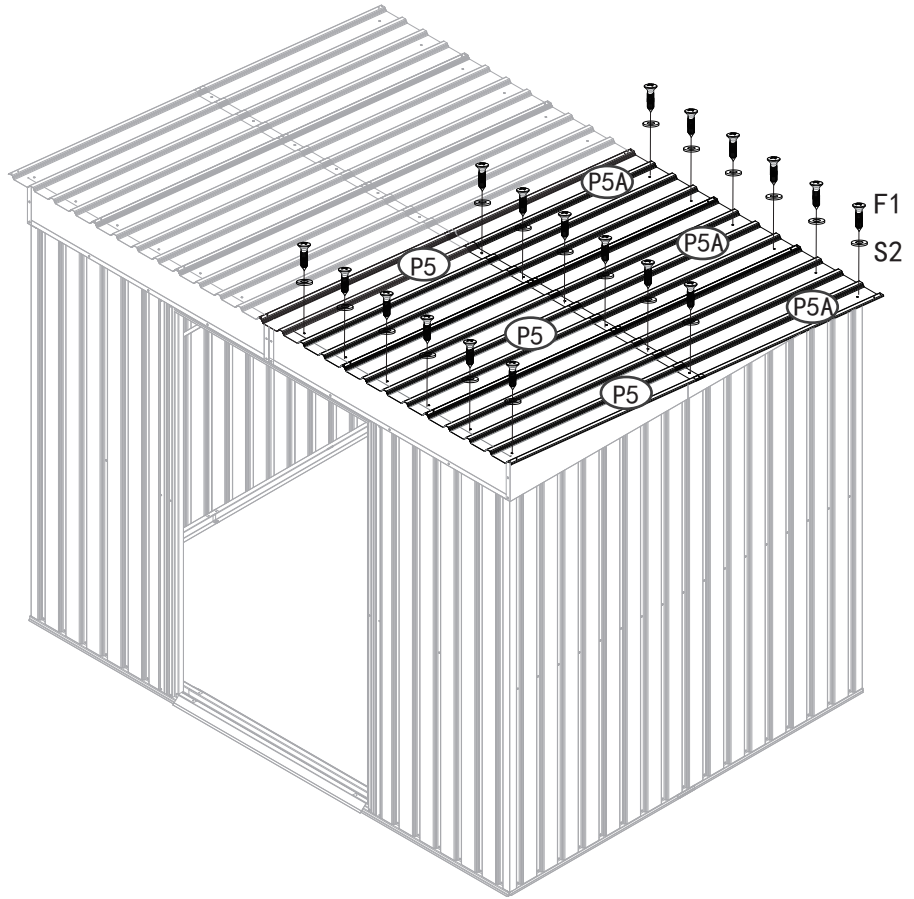
PART	NO.	Qty.
	P6	1
	P6A	1
	F1	6
	S2	6








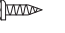




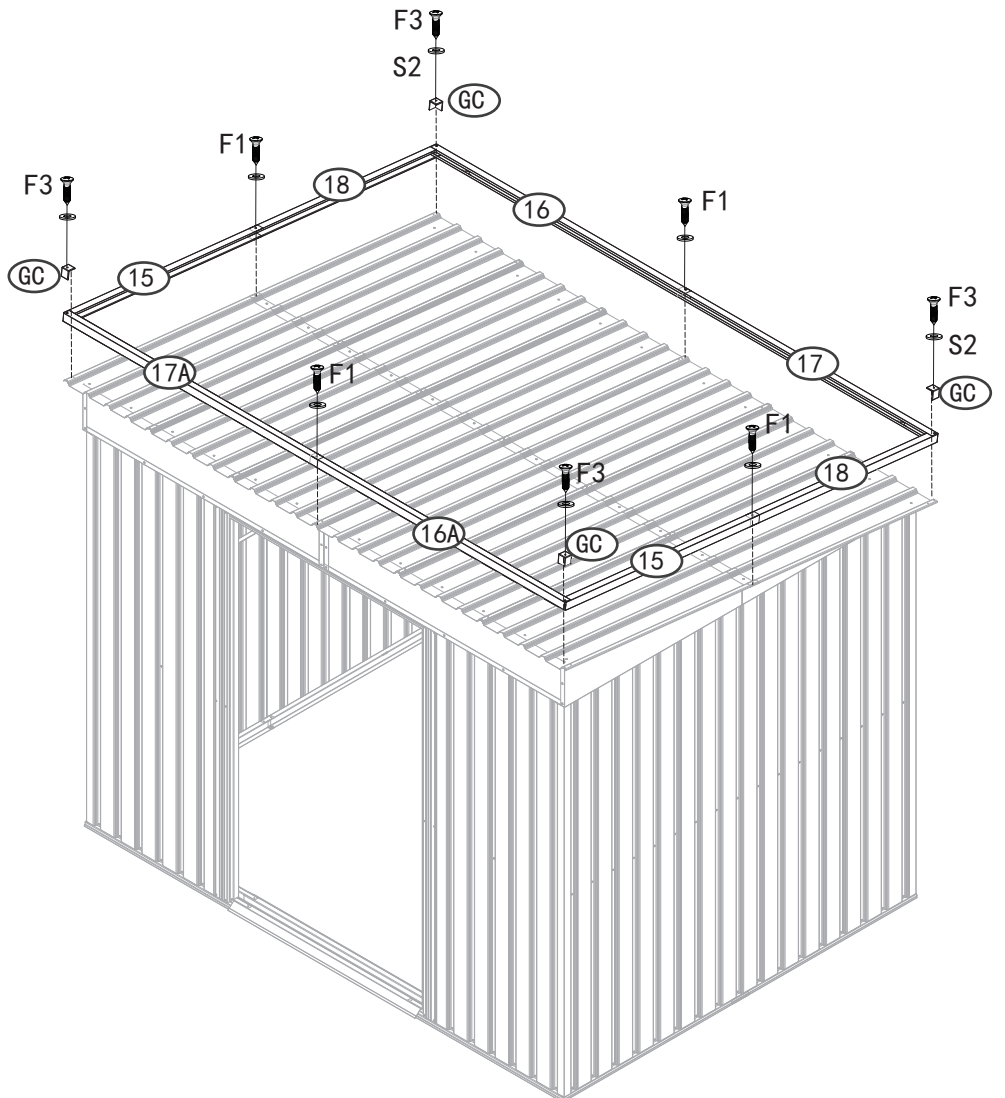
PART	NO.	Qty.
	P6	2
	P6A	2
	F1	6
	S2	6

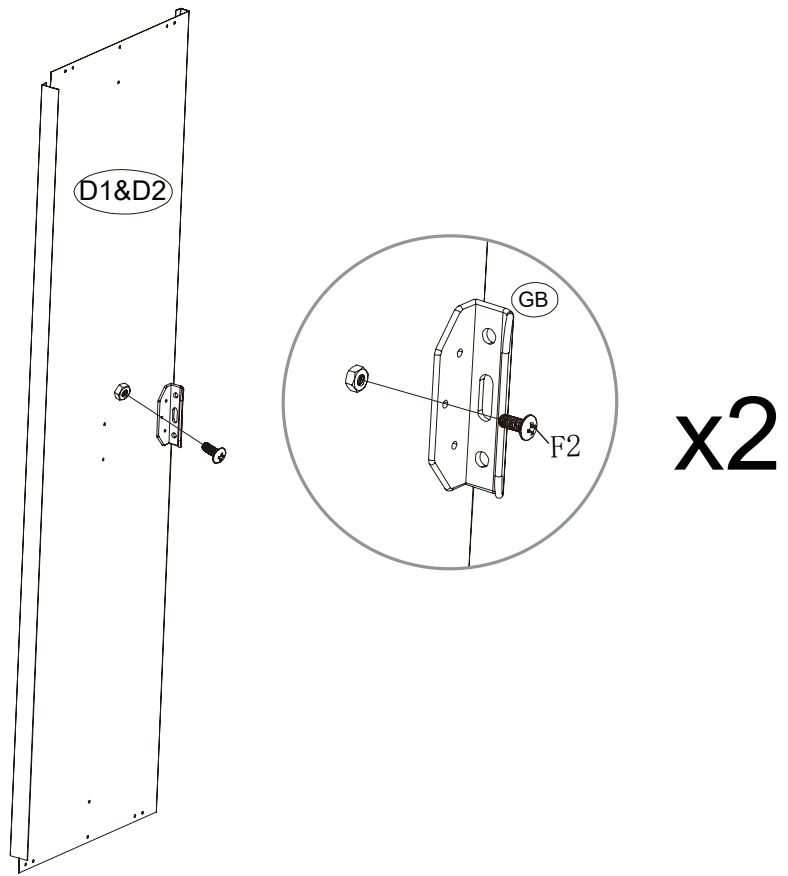


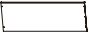



PART	NO.	Qty.
	P5	3
	P5A	3
	F1	18
	S2	18

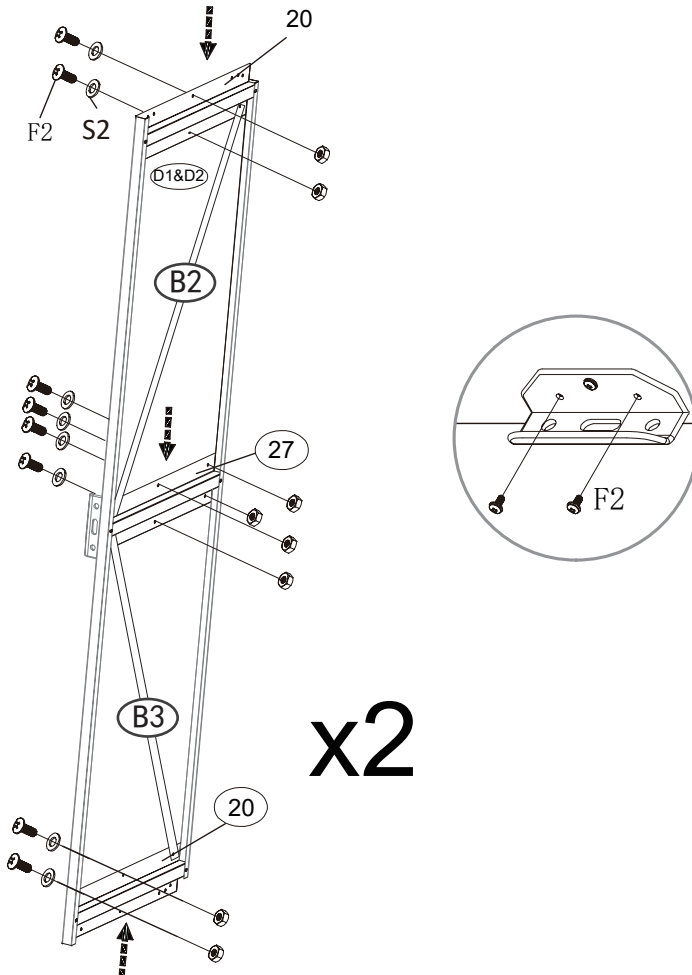







PART	NO.	Qty.
	15	2
	16	1
	17	1
	18	2
	16A	1
	17A	1
	GC	4
	F1	4
	F3	4
	S2	8

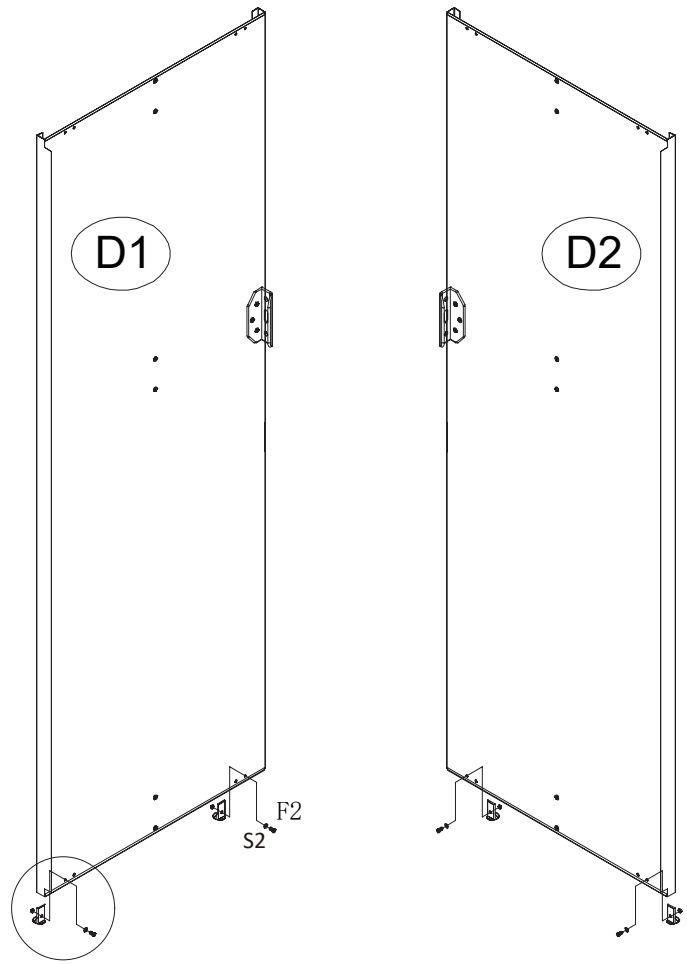
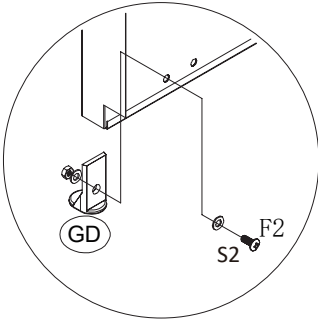






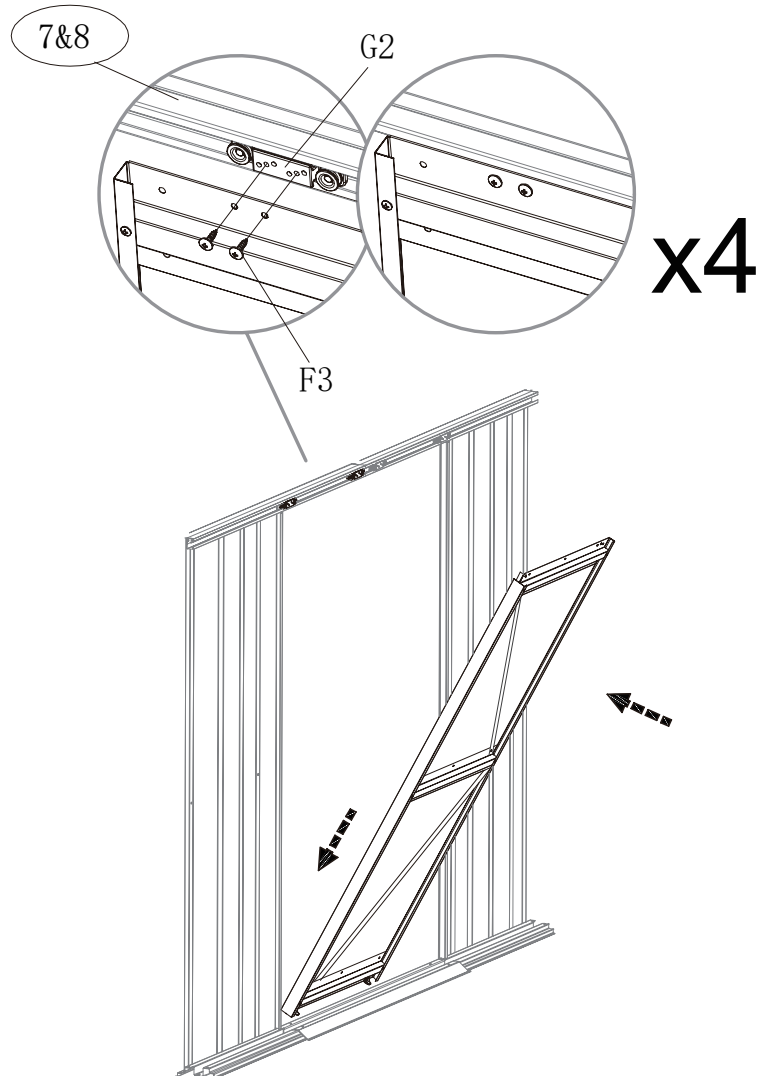
PART	NO.	Qty.
	D1	1
	D2	1
	GB	2
	F2	2






PART	NO.	Qty.
	20	4
	27	2
	B2	2
	B3	2
	F2	20

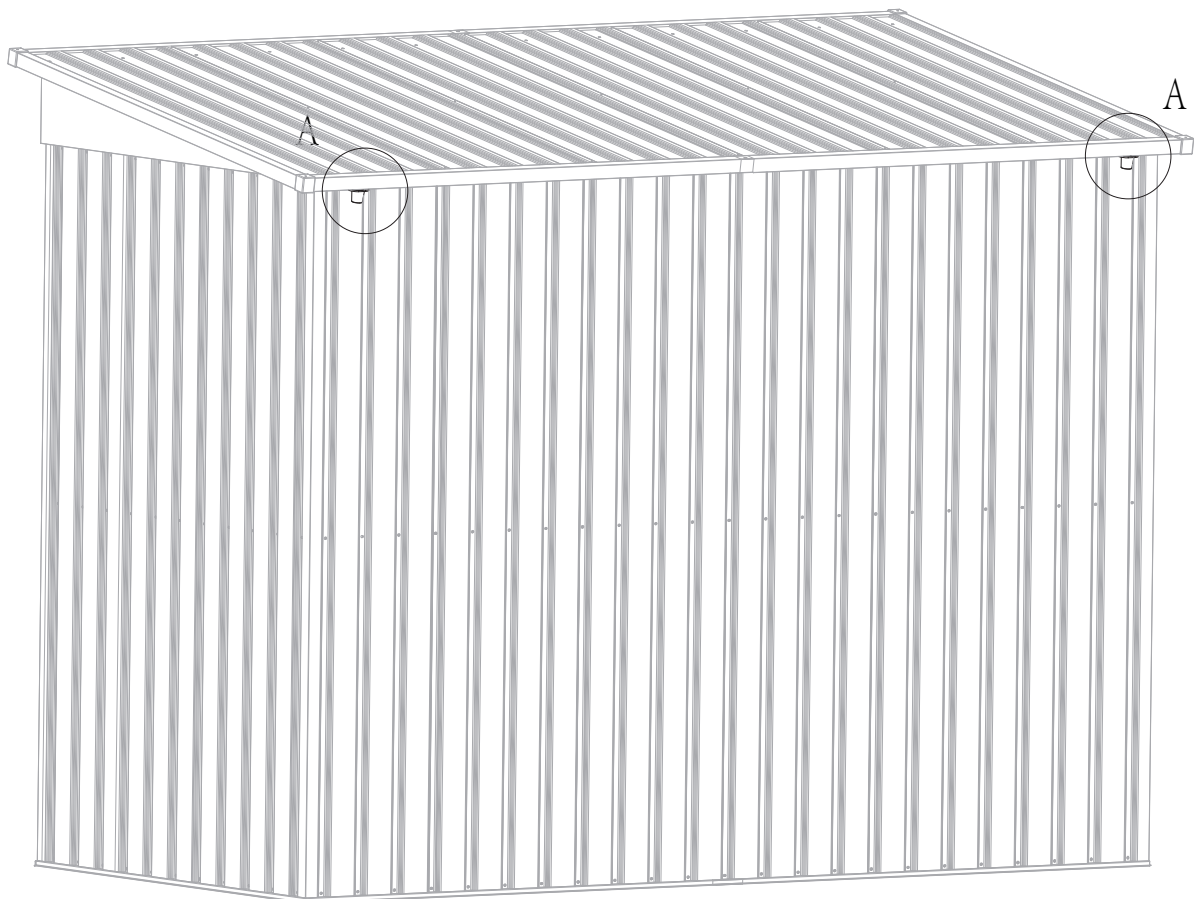
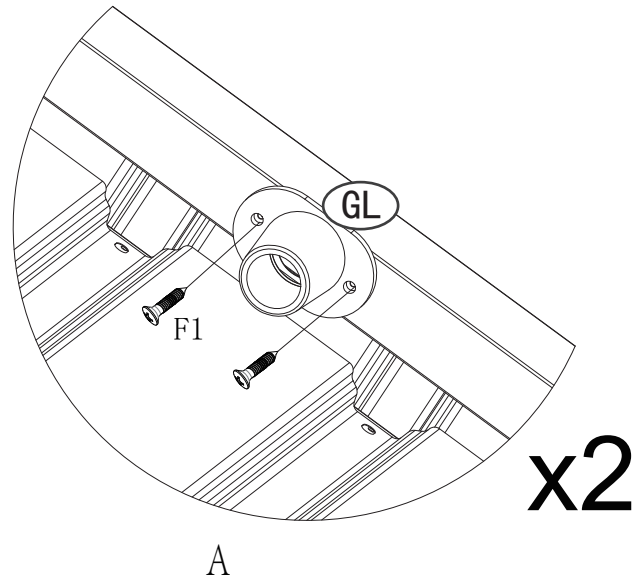



PART	NO.	Qty.
	GD	4
	F2	4



PART	NO.	Qty.
	F3	8

PART	NO.	Qty.
	F1	4
	GL	2



PART	NO.	Qty.
	S1	260

