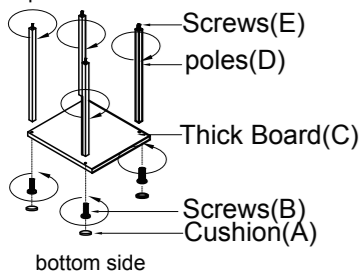


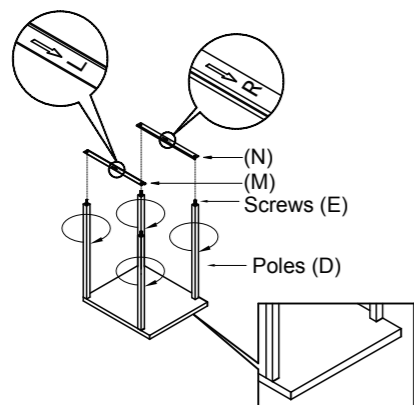
THREE DRAWER SHELF LAMP

PLEASE READ AND SAVE THESE INSTRUCTIONS:

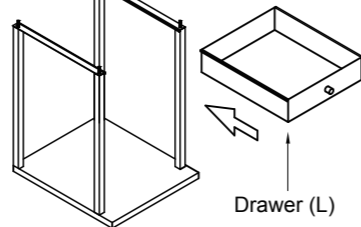
1. Assemble from bottom side. Turn clockwise to the proper position.



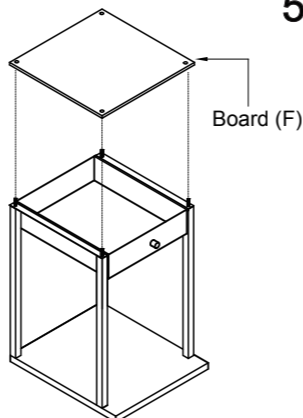
2.



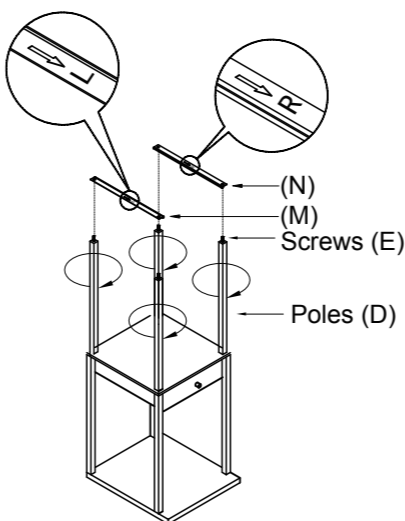
3.



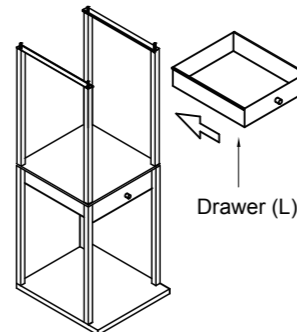
4.



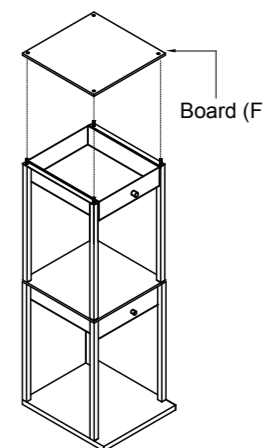
5.



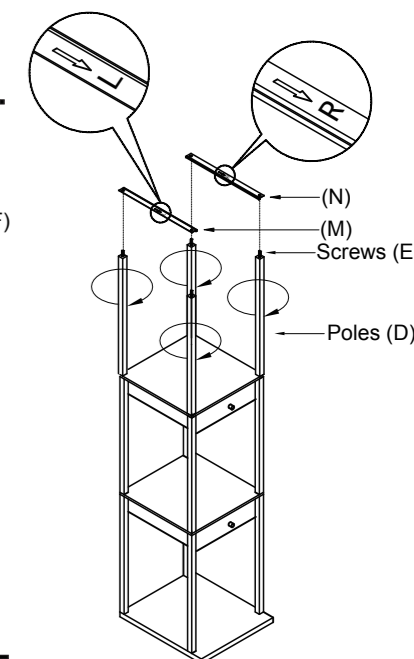
6.



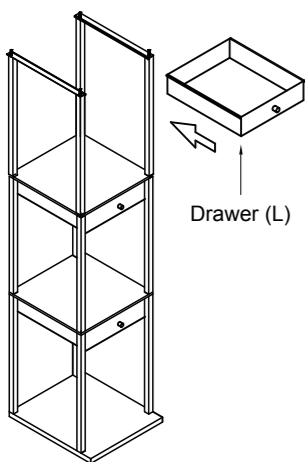
7.



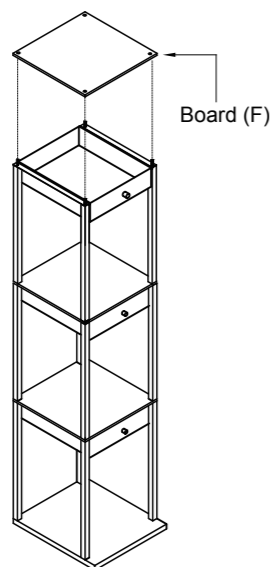
8.



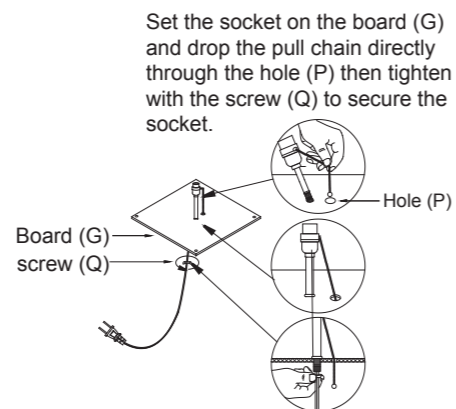
9.



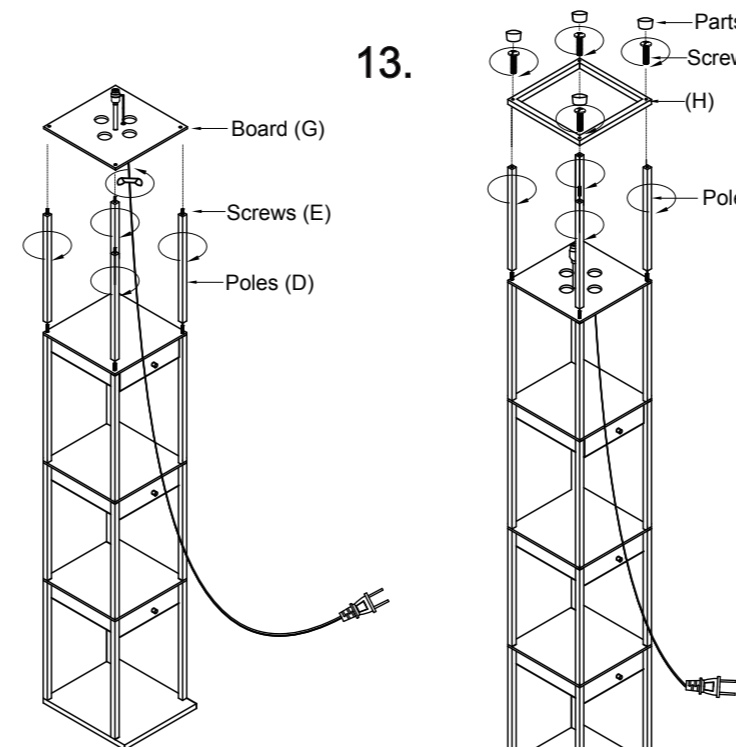
10.



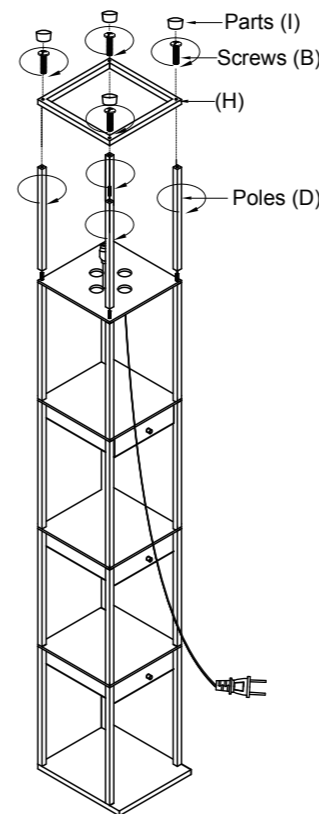
11.



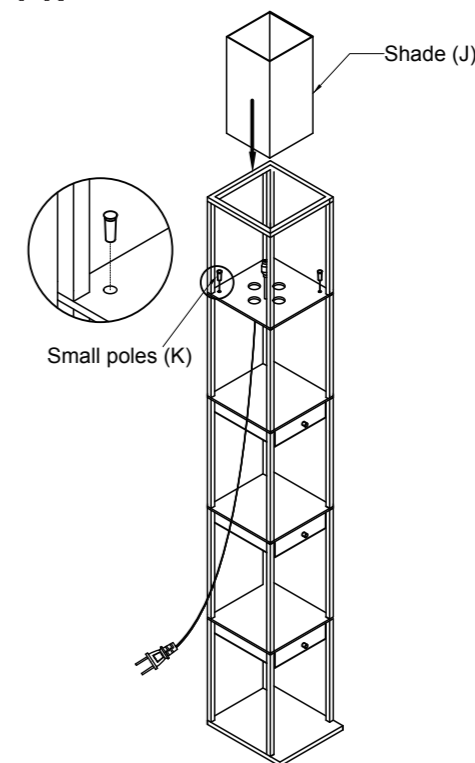
12.



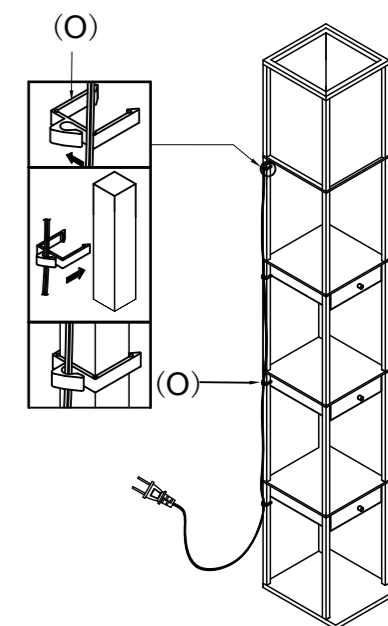
13.



14.



15.



A 4PCS 	B 8PCS 	C Thick Board 1PC 	D pole 20PCS
E 16PCS 	F 3PCS 	G 1PC 	H 1PC
I 4PCS 	J shade 1PC 	K small pole 4PCS 	L drawer 3PCS
M 3PCS 	N 3PCS 	O 3PCS 	

MAINTENANCE:

This lamp requires the use of a maximum 42-Watt CFL light bulb or a 150-Watt maximum standard incandescent bulb (not included). Wattages listed are maximums - lower wattages may be used.

DO NOT USE 3-WAY LIGHT BULBS IN THIS LAMP - THIS IS NOT A 3-WAY LAMP.

To clean lamp, wipe with clean, dry cloth.

IMPORTANT SAFETY INSTRUCTIONS:

This portable lamp has a polarized plug (one blade is wider than the other) as a feature to reduce the risk of electric shock. This plug will fit in a polarized outlet only one way. If the plug does not fit fully in the outlet, reverse the plug. If it still does not fit, contact a qualified electrician. Never use with an extension cord unless plug can be fully inserted. **DO NOT ALTER PLUG.**