

# Assembly Instructions

## CABINET

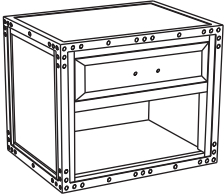
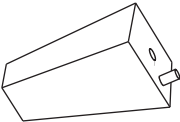
CAUTION: You must read this before you proceed.



**CAUTION** : This Cabinet is NOT a TOY. Keep your child / children at bay in the process of assembly.

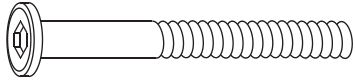
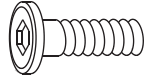
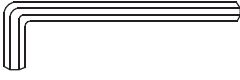

For turning / flipping the cabinet and to prevent damage to the cabinet, 02 persons may be needed to execute this action.

## Parts List

No.	Picture	Description	Qty
A		Cabinet	1
B		Legs, prefitted with wooden dowels	4

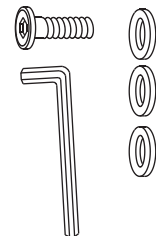
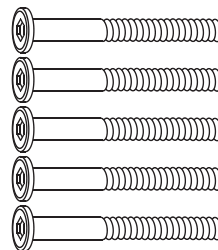
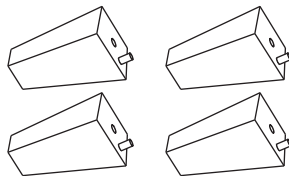
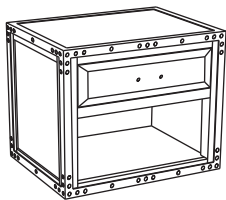
## Hardware

### Cabinet Hardware

No.	Picture	Description	Qty
①		Long Bolts (M6 x 110mm)	5
②		Short Bolts (M6 x 20mm)	1
③		Allen Key	1
④		Washer Ring	3

## Assembly Preparation

### Before Beginning Assembly:



Read instructions, cover to cover.



Have 2 adults on hand for assembly.



Do not assemble on flooring or carpet.



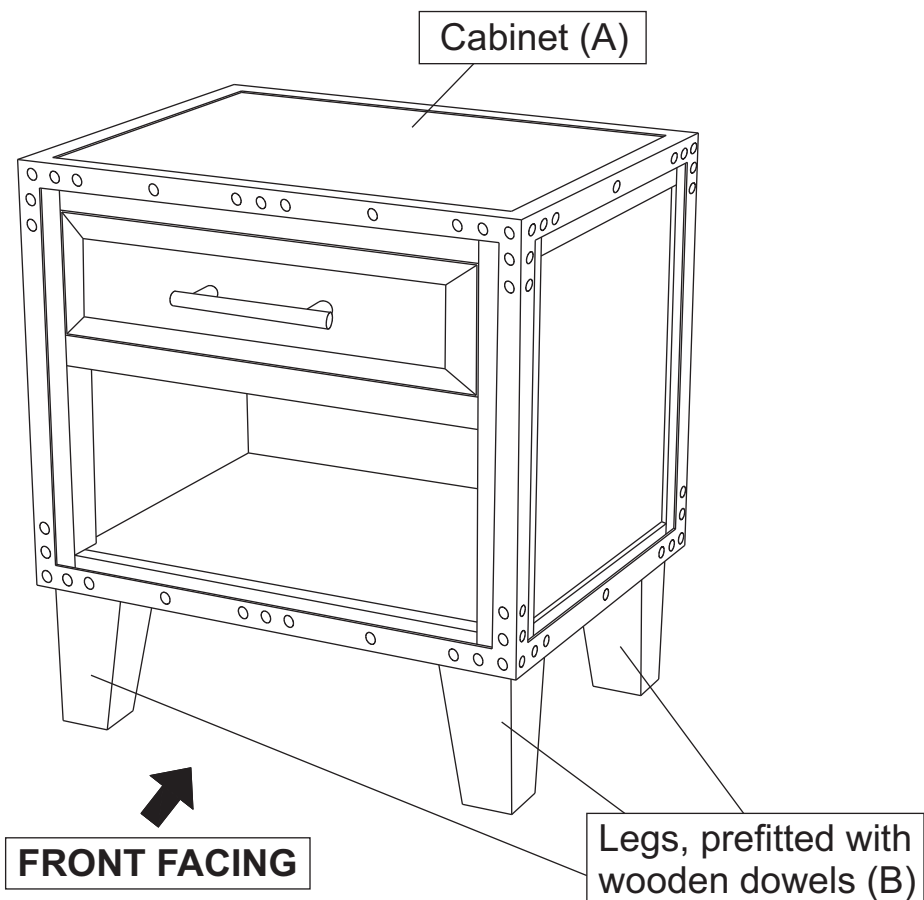
Assemble on a clean non-marring surface (packing foam).



Save all packaging until finished.

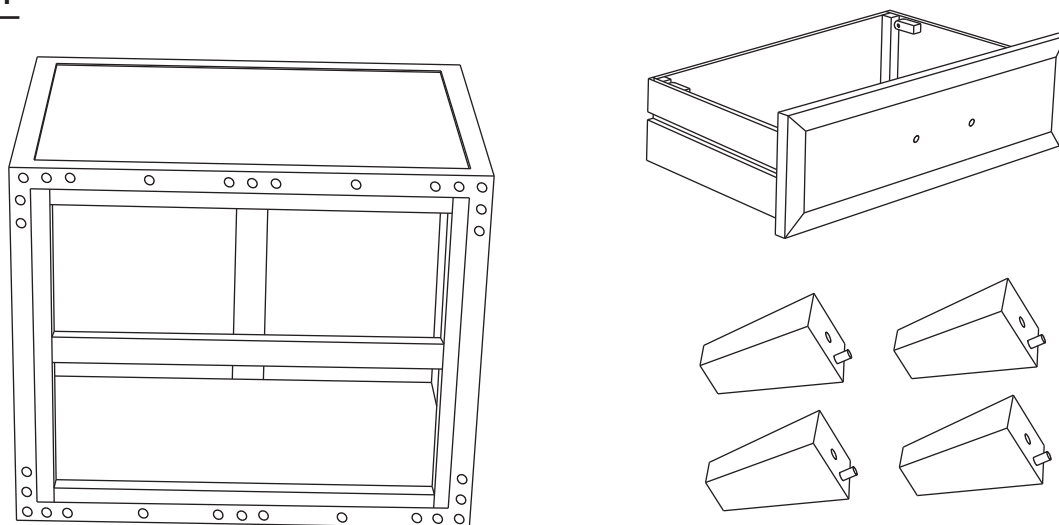
## Assembly Steps

### OVERVIEW



This Cabinet has multiple parts and may require up to 30 minutes to assemble. To give you an overview of the Cabinet parts, the above picture is to help you put the various parts into perspective. Please read through the instructions herebelow to familiarise the parts and steps before assembly.

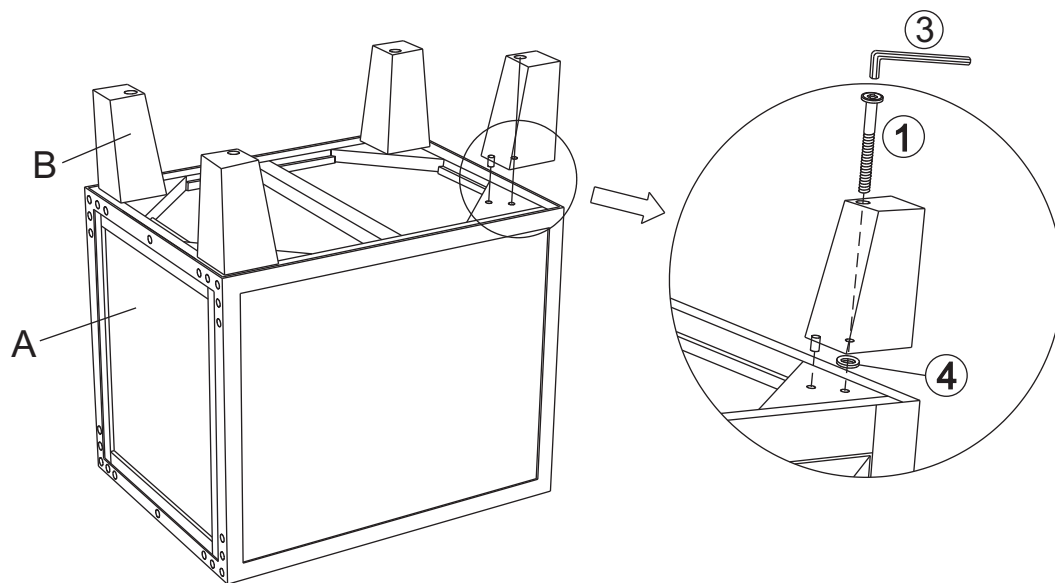
### Step 1



Unpack and place all parts on a clean, non-marring surface.  
In the next step, need upside down the cabinet to assemble. To avoid risk for user, need take out the Drawer of the Cabinet.

## Assembly Steps

### Step 2



Place the Cabinet (A) upside down.

Align and insert the four (04) Leg with prefitted Dowel & Bolt of the Leg (B) to the mounting positions at the Cabinet bottom corners.

Insert the Long Bolts (①) through the mounting position and affix the Leg (B) using the Allen Key (③).

The use of Washer Rings (④) are optional and are especially useful to help alleviate slight wobble.

Upon assessment that there is a wobble, undo the relevant leg and thread in a Washer Ring (④). Make sure all parts are connected and securely locked into position.

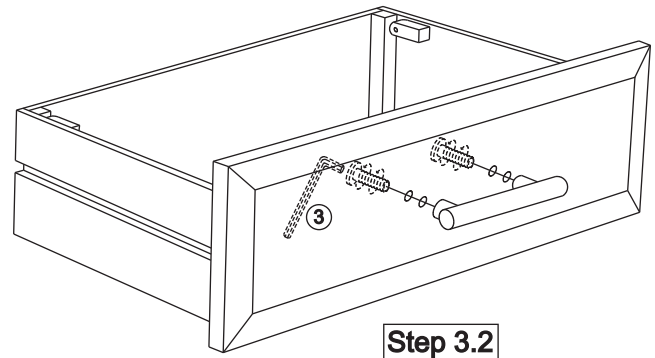
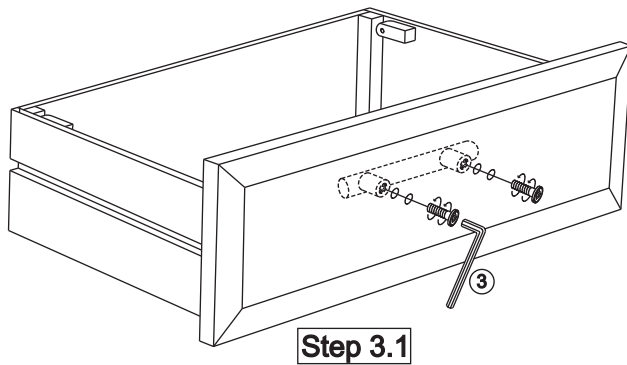
To ensure there is **NO WOBBLES** to the feet, **DO NOT overtighten the bolts.**

Each bolt is to be driven in sequentially and where necessary, the Cabinet may be turned to check for evenness.

It may be necessary to execute this check twice to ensure that all 04 legs are affixed to the Cabinet with no wobbles.

## Assembly Steps

### Step 3

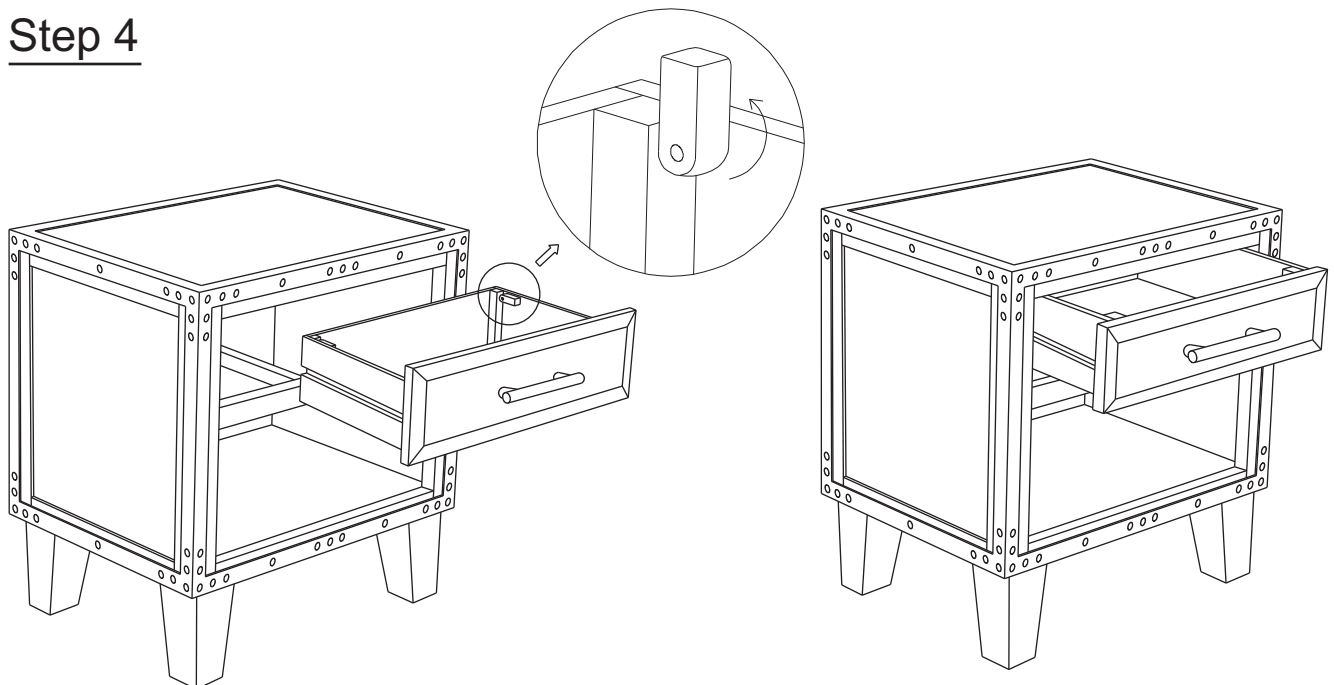


Step 3.1: Using by Allen Key (③), take out the Handle which put in the Drawer as shown in picture.

Step 3.2: To affix the Drawer, align the bolt mounting position of the Handle to the mounting positions at the Drawer.

Insert the Bolts through the mounting position and affix the Handle by the Allen Key (③), as shown in picture.

### Step 4



Turn the cabinet right way up carefully.











Put the Drawer on to the Cabinet, then locked the Drawer as shown in the picture.

Ensure that all bolts of the Cabinet and the Handle of the Drawer are fully driven in and locked in.

The cabinet now is ready to be used.

**Caution: This Cabinet can only be used on a flat, level surface.**

## Care & Maintenance

-   Do not put hot items directly on furniture surface.
-   Do not clean furniture with harsh cleansers or polish.
-   Do not place furniture under direct sunlight.
-   Do not place furniture near heating or cooling vents.
-   Do not write on furniture without a padded barrier to protect the surface.
-   Do not place furniture outside. For indoor use only.
-   Not for commercial use. For residential use only.
-   Stains may be removed with mild soap solution and damp cloth.
-   Children should not climb or jump on the furniture.
-   Dust and pick-up spills using a clean, non-colored, lint-free cloth.

### What is Proposition 65?

Proposition 65 is a California law that requires warning labels on products that may contain one of more than 800-plus chemicals or ingredients that the California Office of Environmental Health Hazard Assessment (OEHHA) has deemed to cause cancer or other reproductive toxicity. Chemicals and elements on this list include wood dust, brass, and other everyday substances, which can be found in very common household items, such as: lamps, tableware, jewelry, crystal glasses, electric cords, beauty products, automobiles, and furniture.

### Why Did I Find a Proposition 65 Warning on My Home Goods Product?

We include Proposition 65 warnings on all of our products because there is always a chance that one of the 800-plus common chemicals and ingredients listed under this law could potentially be on our furniture or packing materials. We risk large fines under this law, if we don't include this warning.

### Should I worry?

We realize you may be worried finding this warning on our products, but we want to reassure you that the hazardous exposure limits for any of these chemicals have never been found on furniture products that we've shipped to our customers. Additionally, this warning label is very common and can be found on almost every piece of furniture sold in the state of California.

### Just How Common Are Proposition 65 Warnings?

Proposition 65 warnings have become so common in California that it is hard to take a trip to a local bank, grocery store, or restaurant without finding at least one warning. In fact, even the Disney Land Resort has a Proposition 65 warning:

