

ASSEMBLY INSTRUCTION

MODEL NUMBER:2-86T

NOTES:

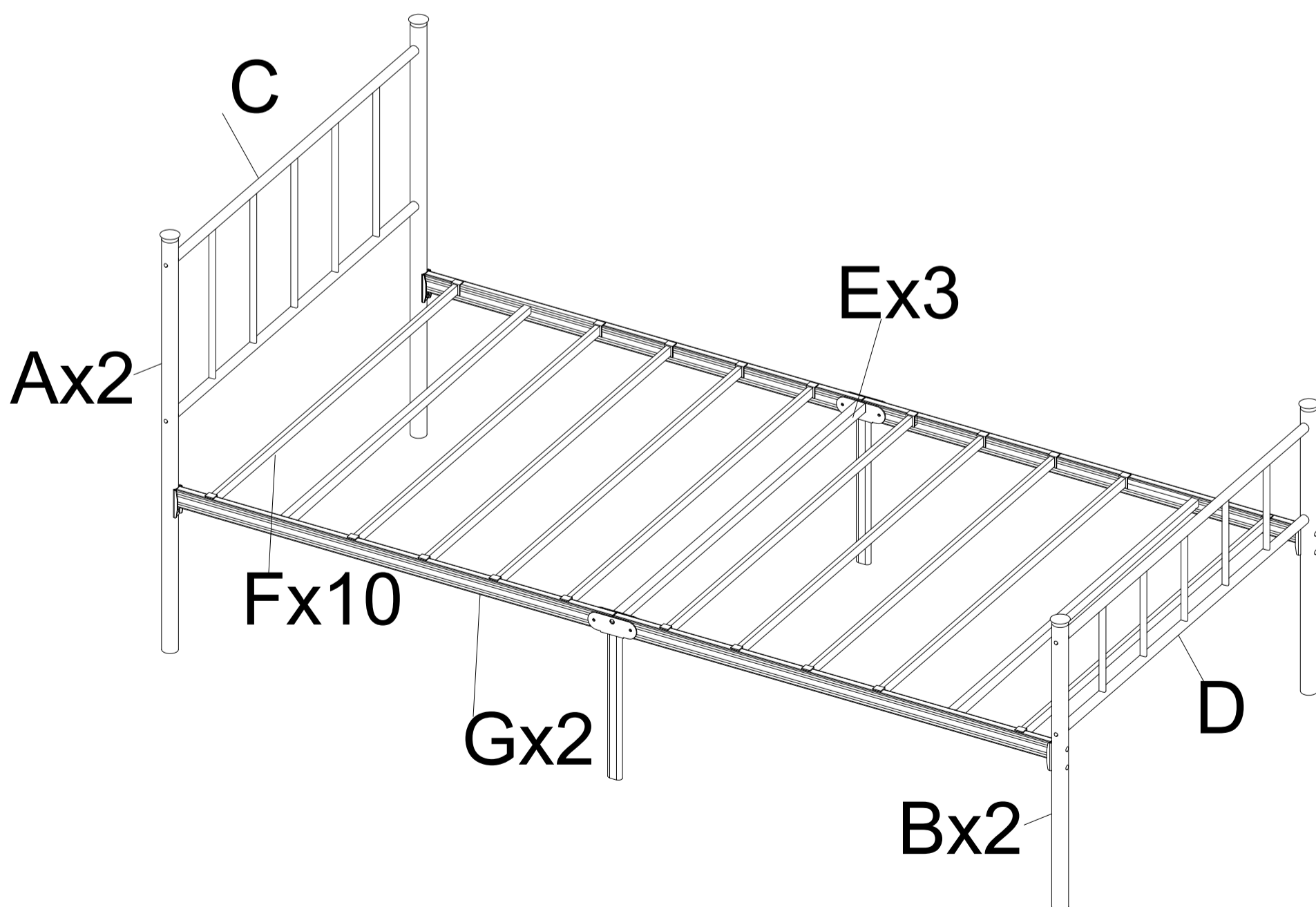
- Do not skip any step.
- Do not fully tight screws until all the bed parts are assembled.

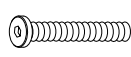

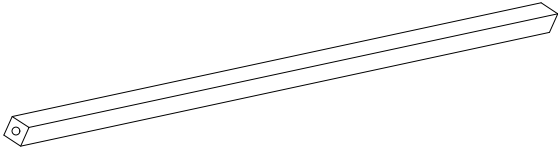



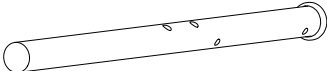
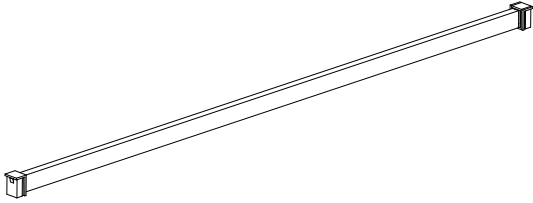
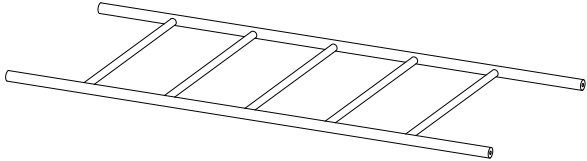
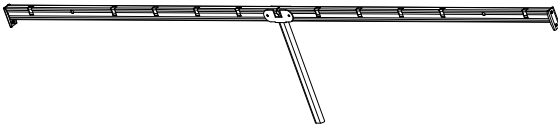
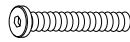



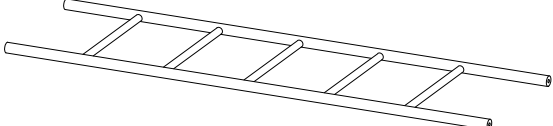
WARNING:

- WARNIND FOR YOUNG CHILDREN-This product contains small components,please ensure that they are kept away from small children while assembling.




Warranty Information:

- We warranty this product to be free from defects in materials.If u have any query about bed,pls contact our after -sale support email: Pakkahome@outlook.com

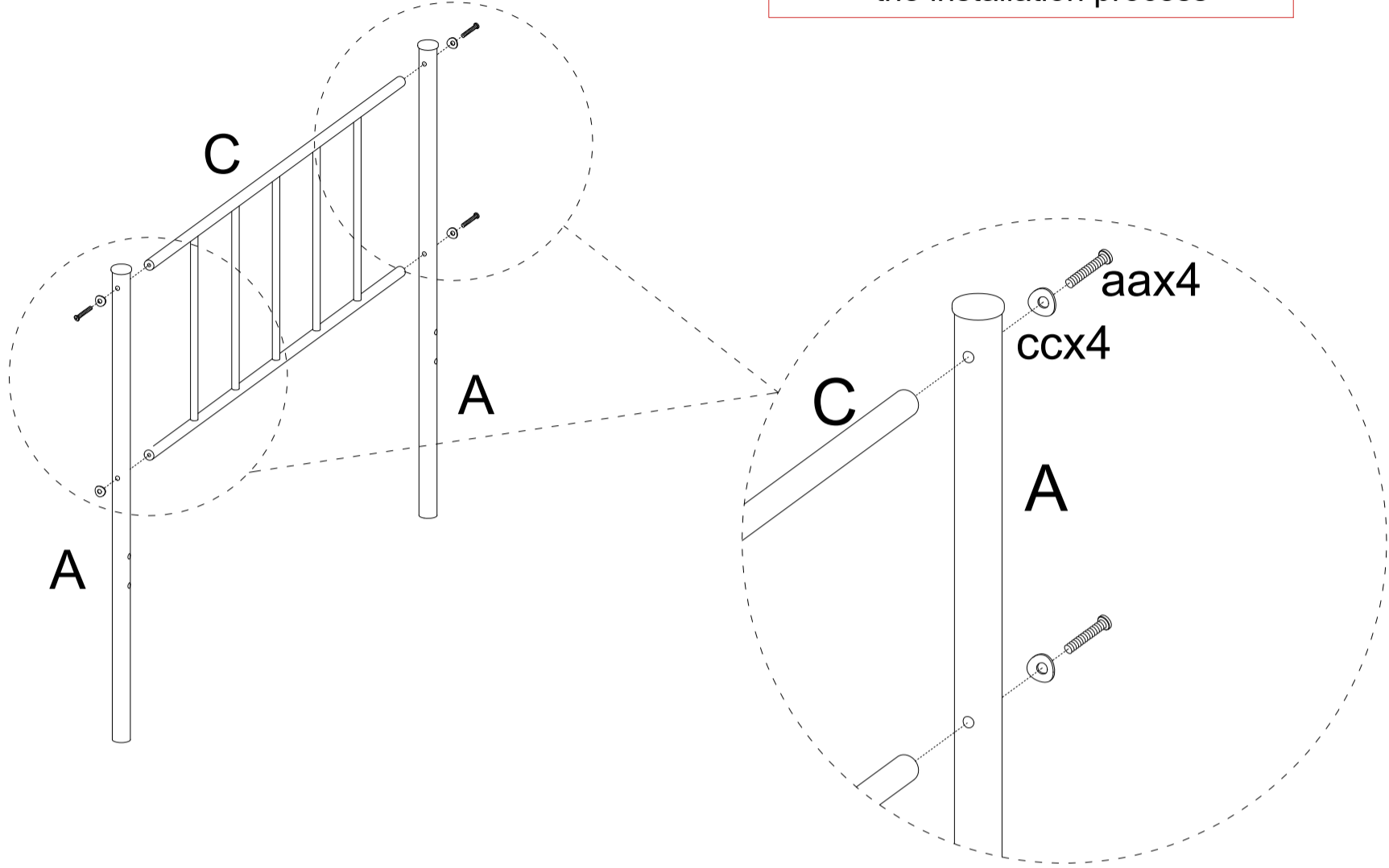


A	E	aa	 M6x55	14
 2PCS	 3PCS	bb	 M8x50	8
		cc		16
		dd		1
B	F			
 2PCS	 10PCS			
		C		
 1PC	 2PCS		aa	 1
		SPARE	bb	 1
cc	 1			
ee	 2			
 1PC				




Step 1

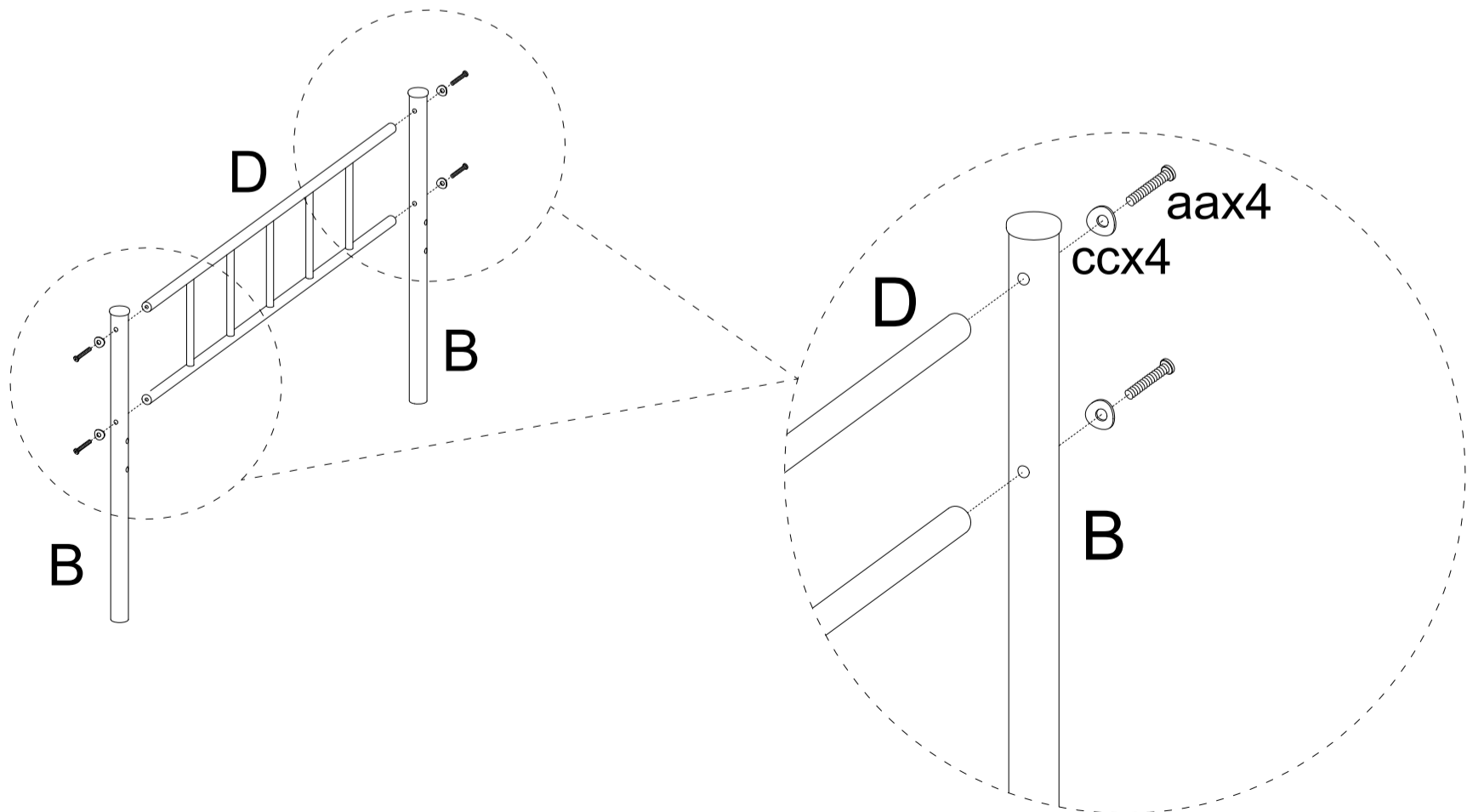
aa	 M6x55	4
dd		1
cc		4

Note: For easy setup intention, do not tighten screws during the installation process






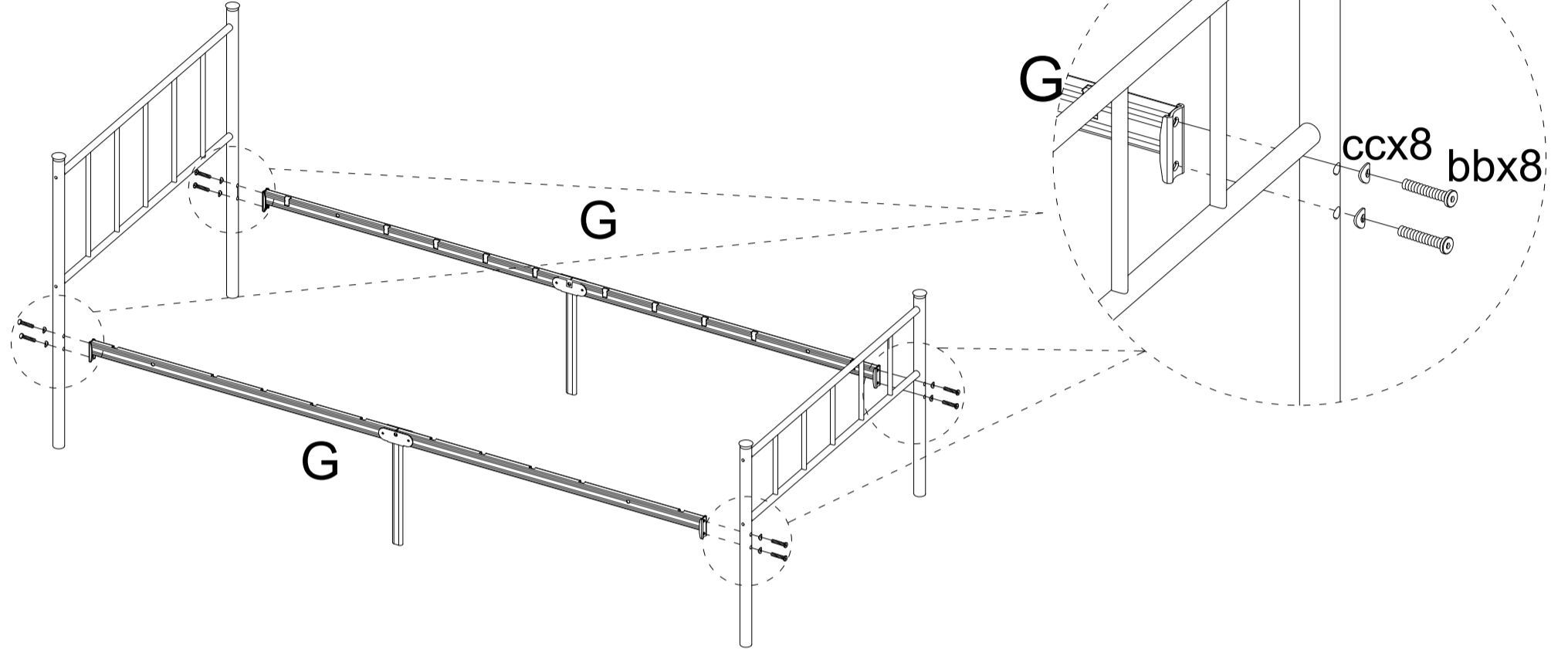
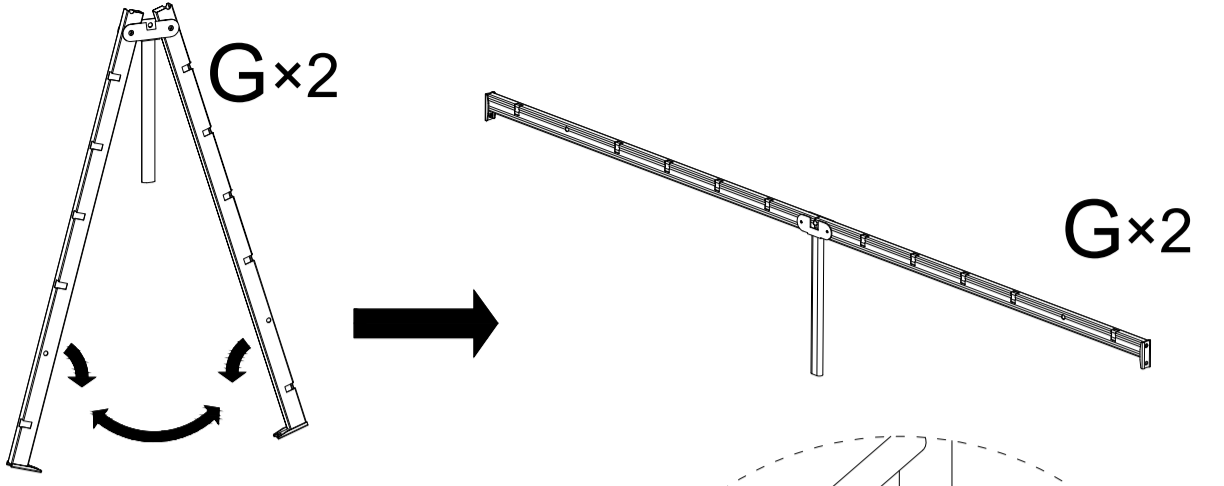
Step 2

aa	 M6x55	4
dd		1
cc		4





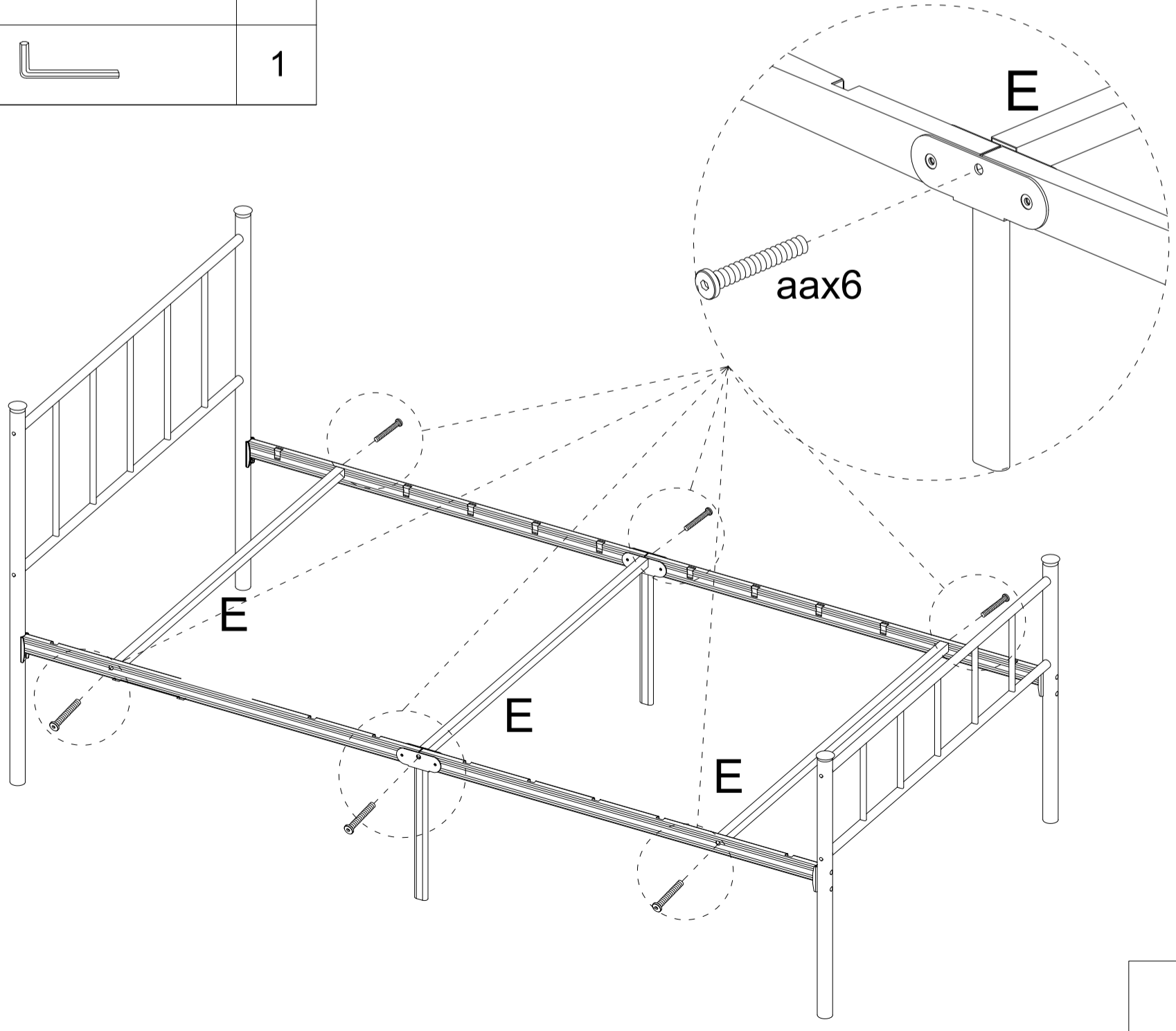
Step 3

bb	 M8x50	8
dd		1
cc		8

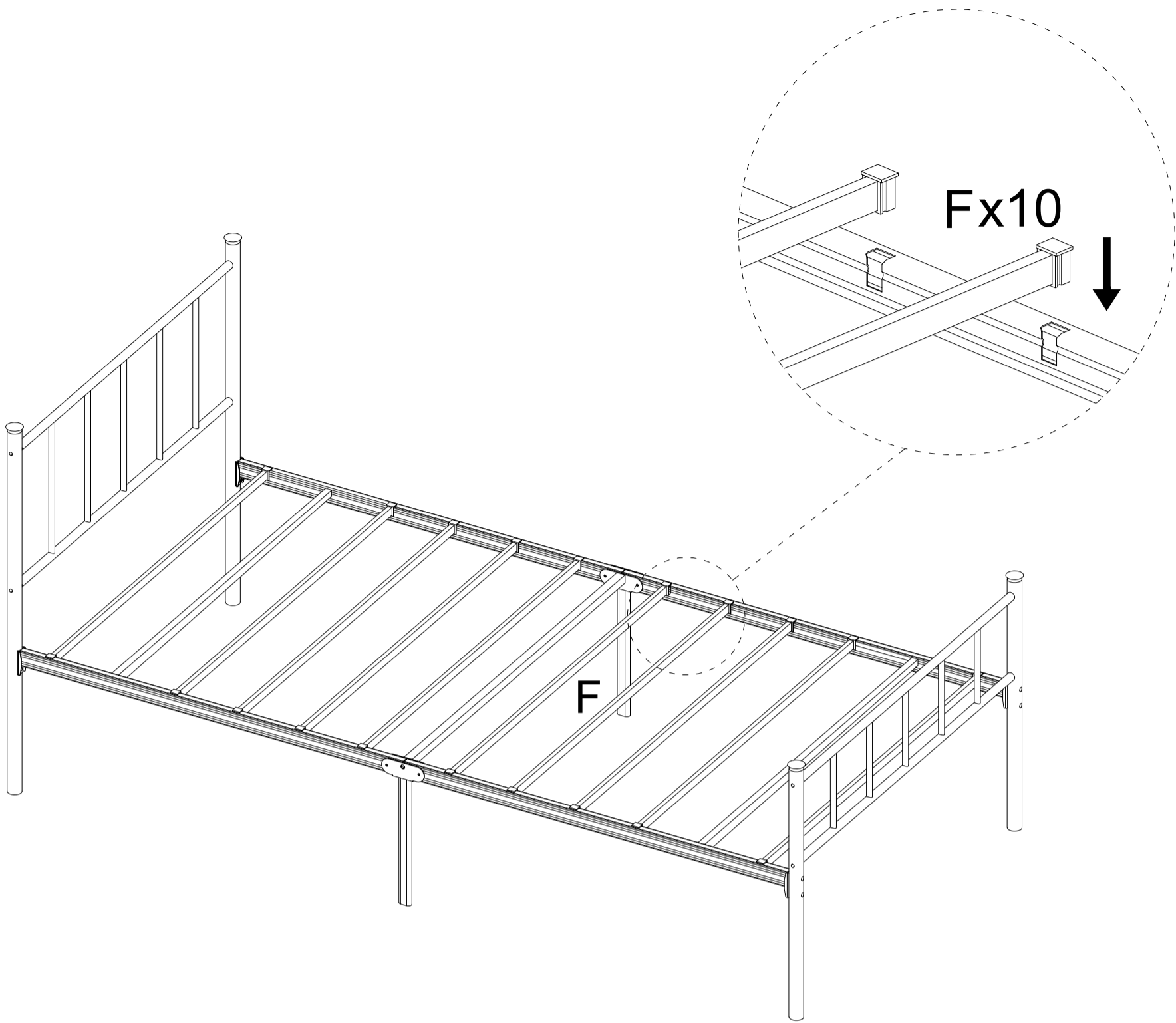


Step 4

aa	 M6x55	6
dd		1



Step 5



Step 6

