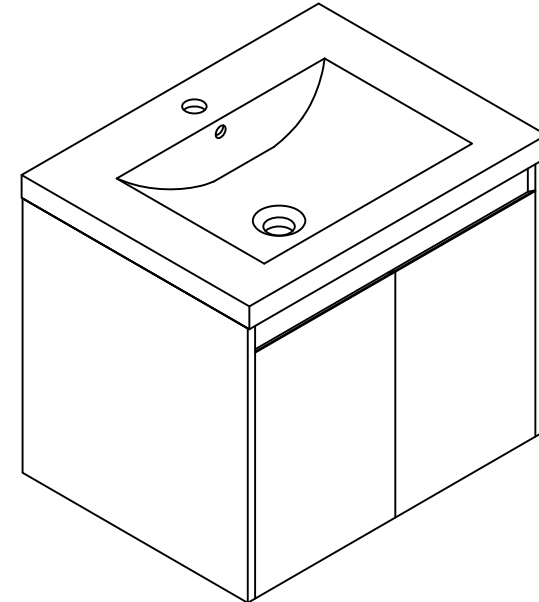


THANKS FOR WATCHING

Your feedback is invaluable to us and we would love to hear about your experience. Please take the time to leave us a review.



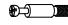







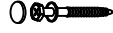


Thank you for shopping with us!

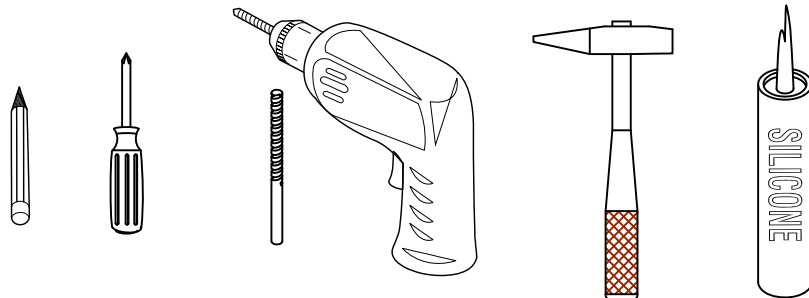
We encourage you to take a few minutes to go through this booklet. It contains important information on installation and care tips to keep your furniture looking as good as new.

Item NO.:BV B120 A24

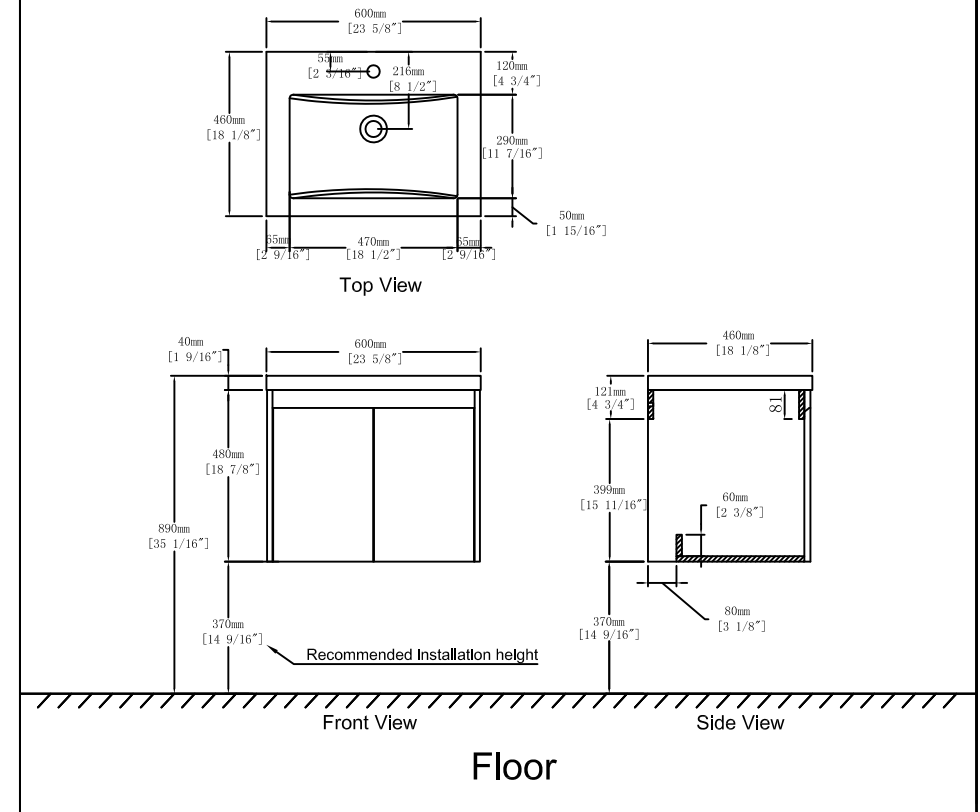
Hardware

NO.	Draw	QTY	NO.	Draw	QTY
A	 Screws Ø4x14mm	44	G	 Bracket (53x70x44mm)	2
B	 Two-in-one connector	17	H	 Bracket (19x19x35mm)	2
C	 Two-in-one connector	17	I	 Hinges(Internal hiding)	4
D	 Wood plug	4	J	 Anti-collision gasket	4
E	 Plastic anchor(Ø10mm)	2	K	 Screwdriver	1
F	 Screws for fix on the wall	2			

Recommended tools



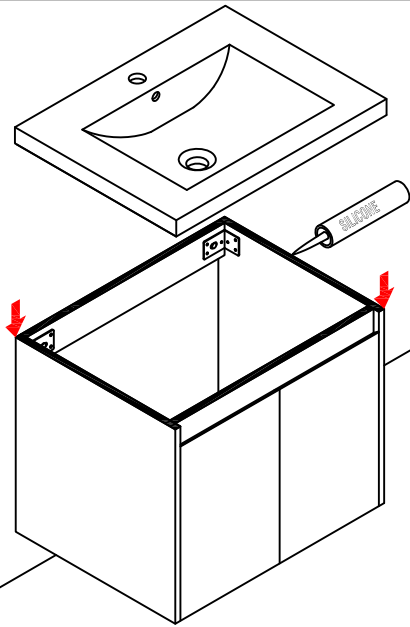
Dimensions



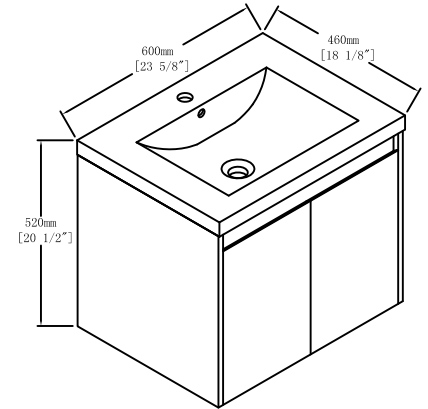
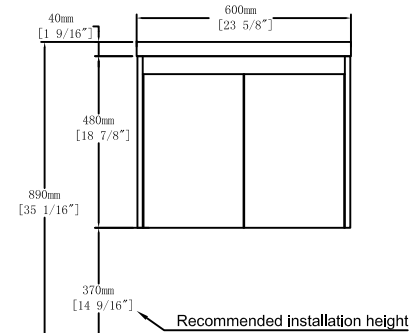
CARE CLEANING AND MAINTENANCE

1. Dust regularly with a soft , dry cloth.
2. Avoid the use of all chemicals household cleaners, abrasives, or cleaners that contain lemon, vinegar, or other acids that may damage the finish.
3. Excessive exposure to sunlight and extreme changes in temperature and moisture can damage wood furniture.
4. The sink is fragile, please pay attention to maintaining its appearance.
5. Do not place hot appliances, such as curling irons and hot hair dryers directly on the countertop. Wipe spills immediately.

Step 13

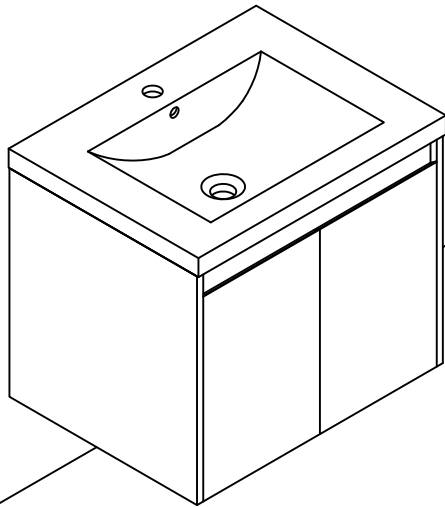


Dimensions

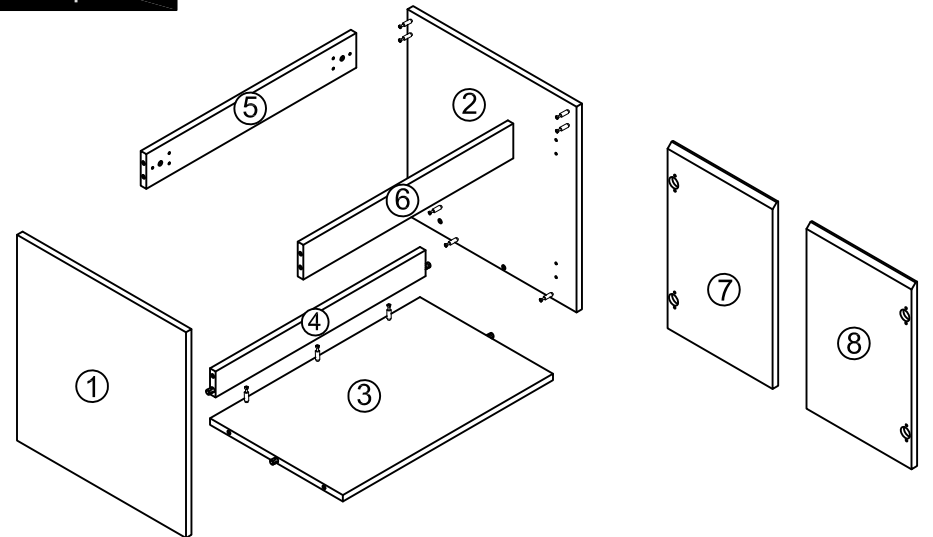


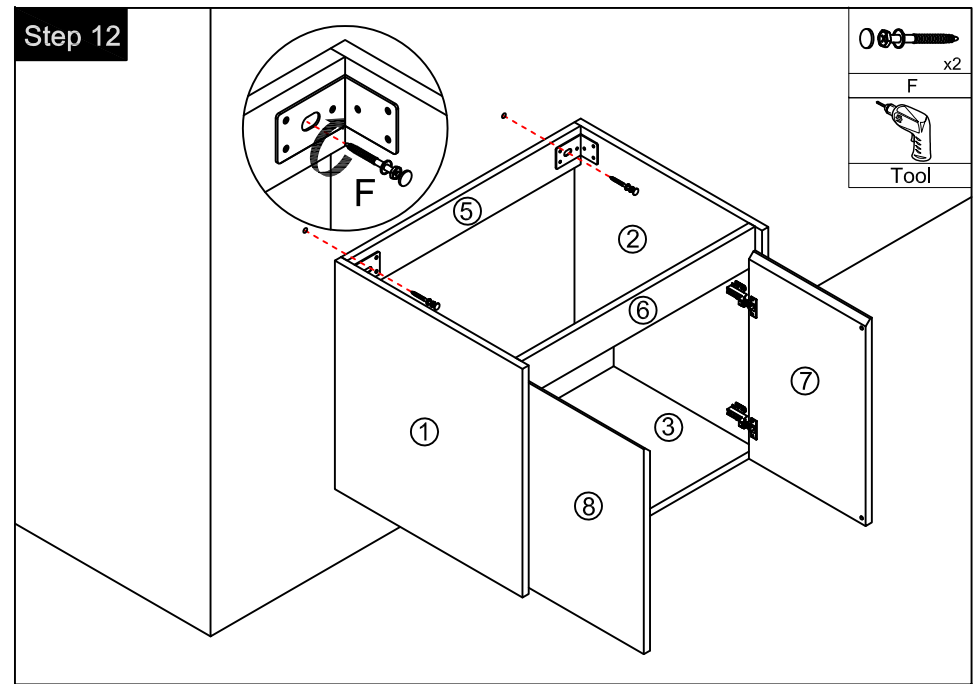
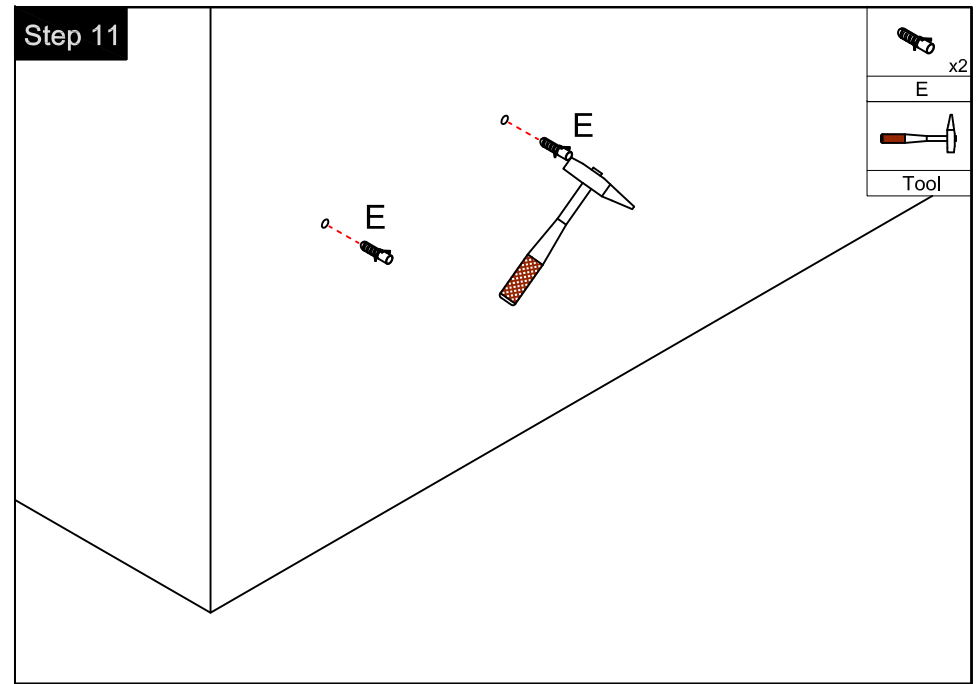
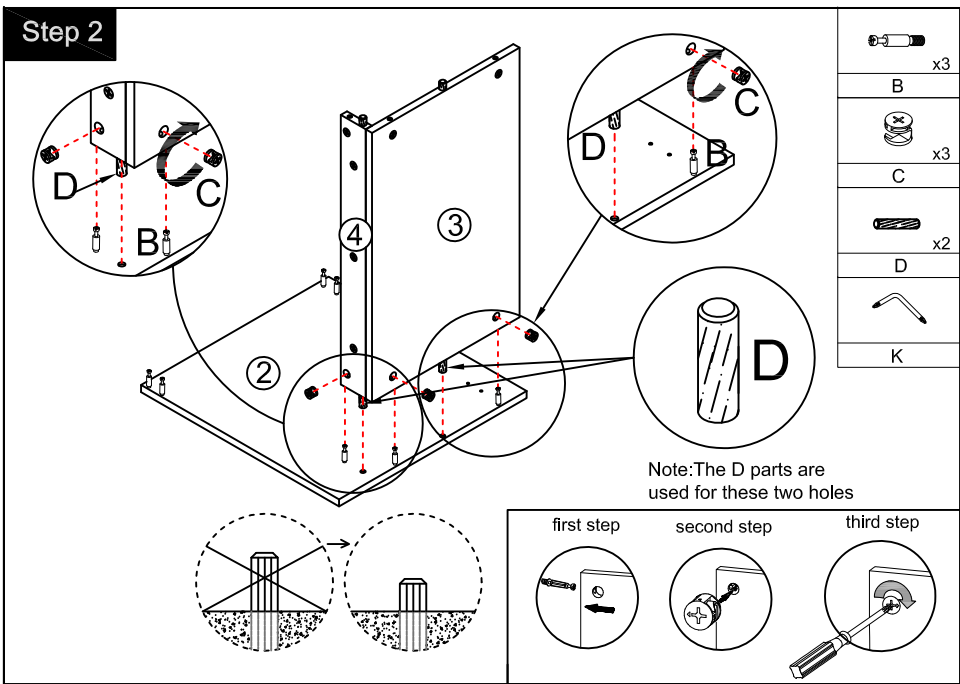
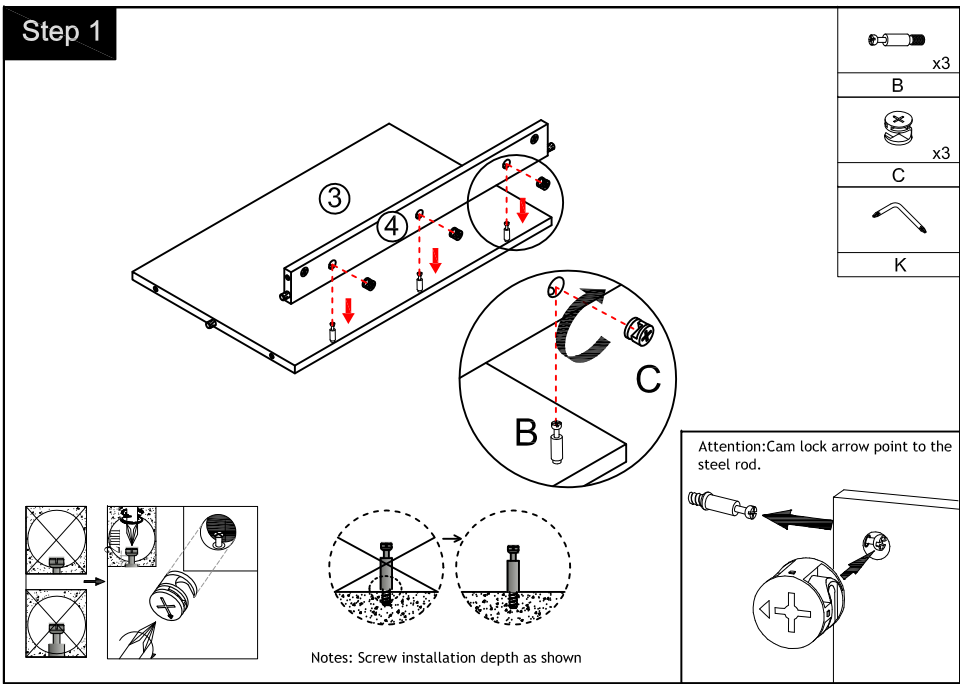
Floor

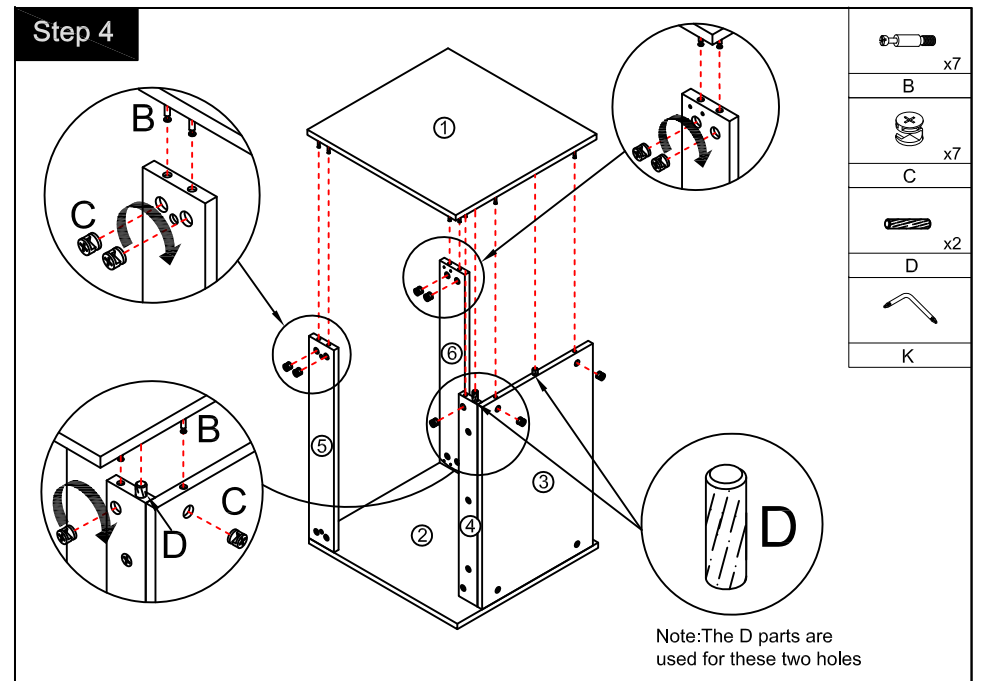
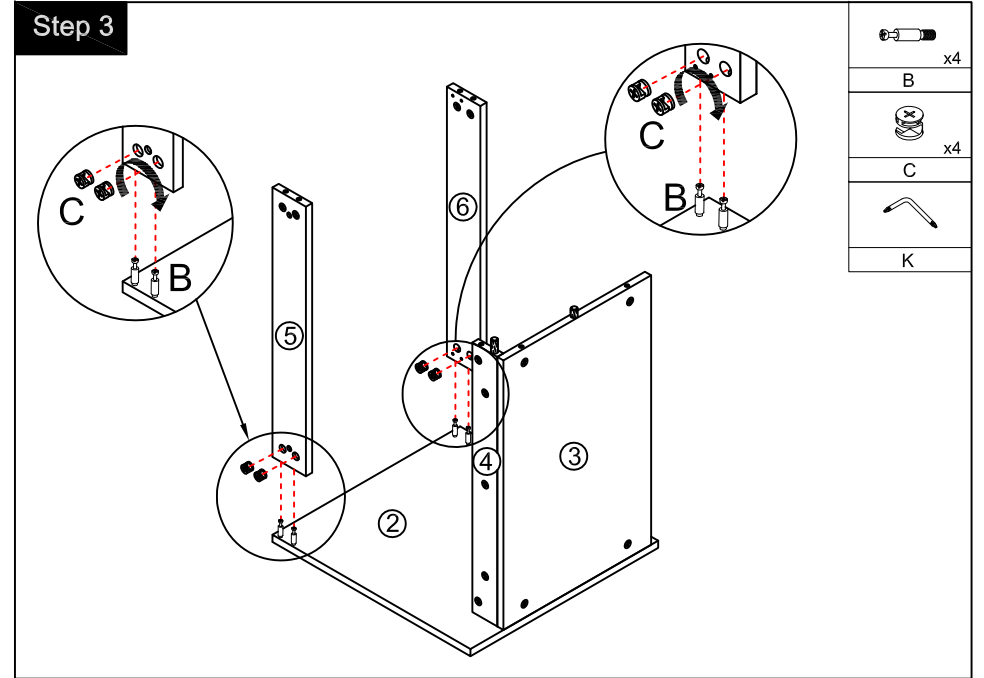
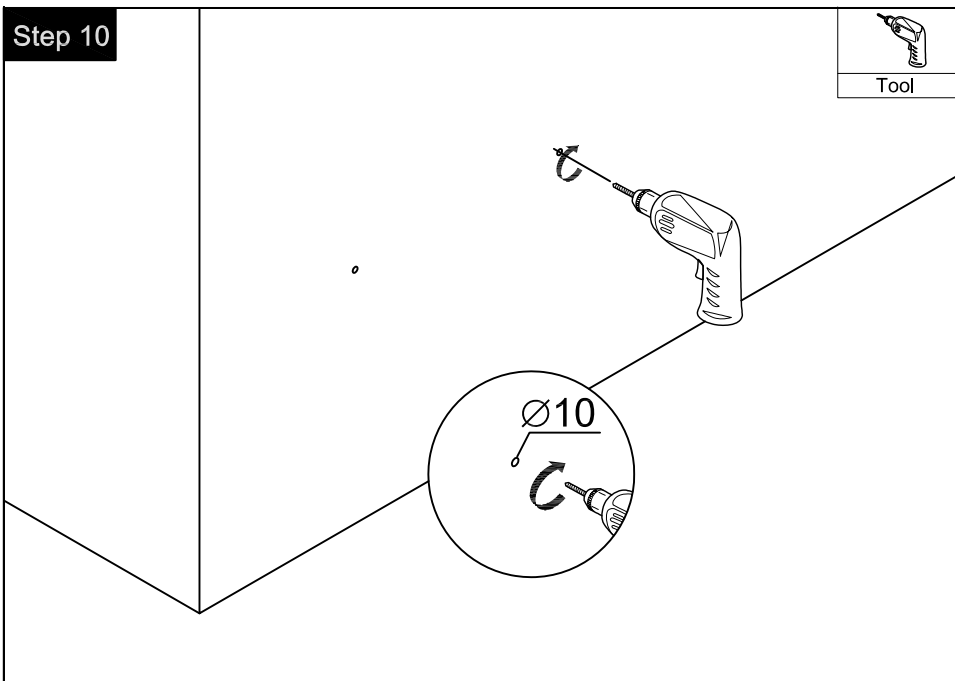
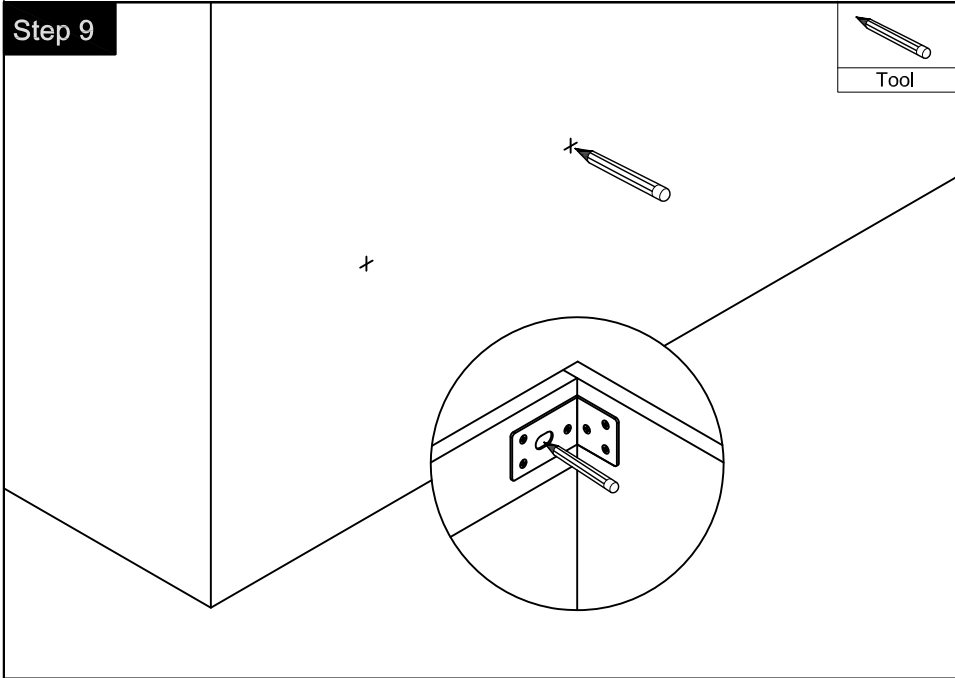
Finished



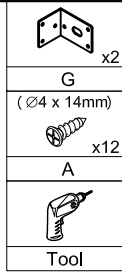
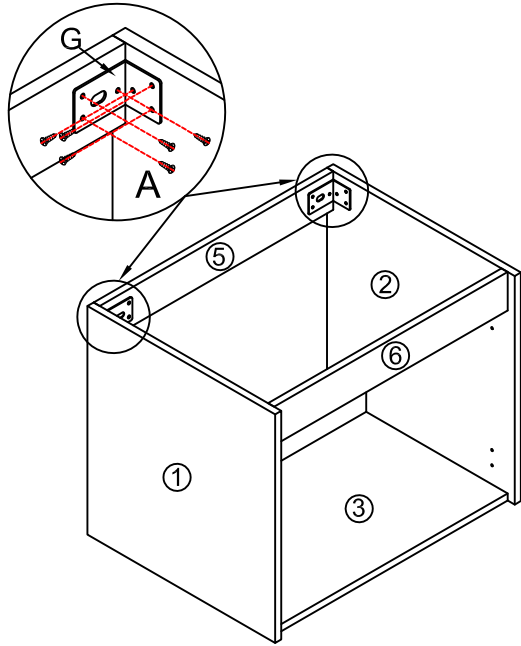
Components



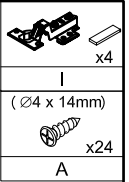
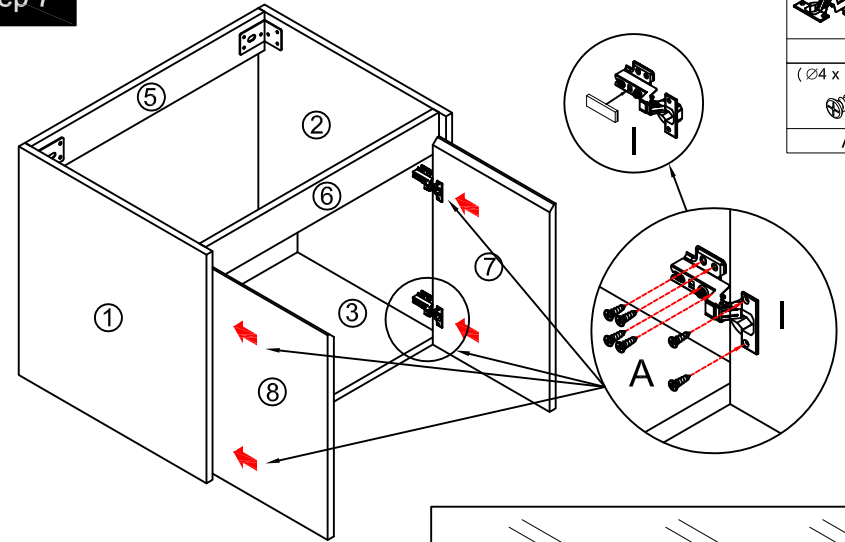




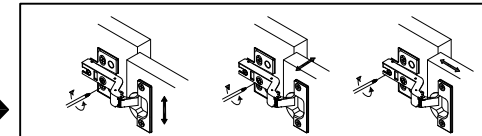
Step 5



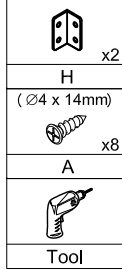
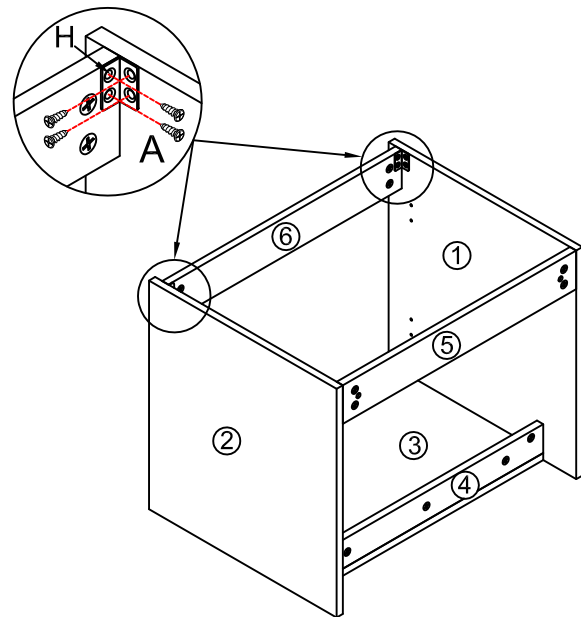
Step 7



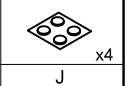
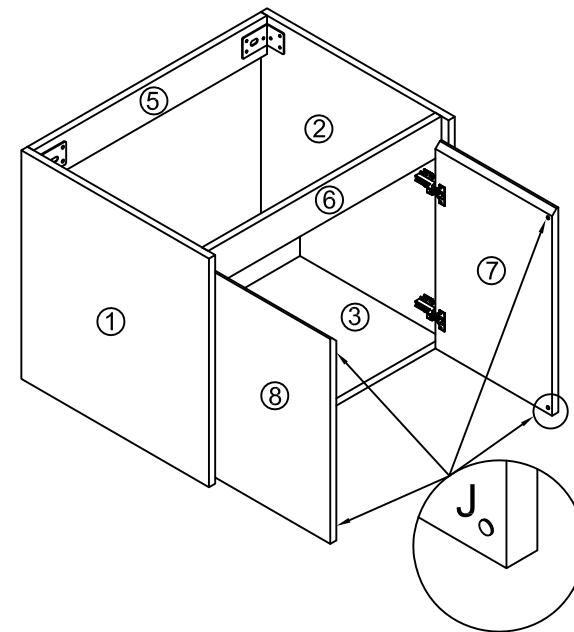
You can adjust the doors by tightening or loosening the screws on the hinge. →



Step 6



Step 8

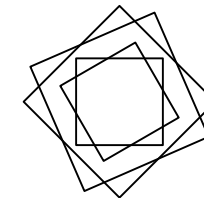
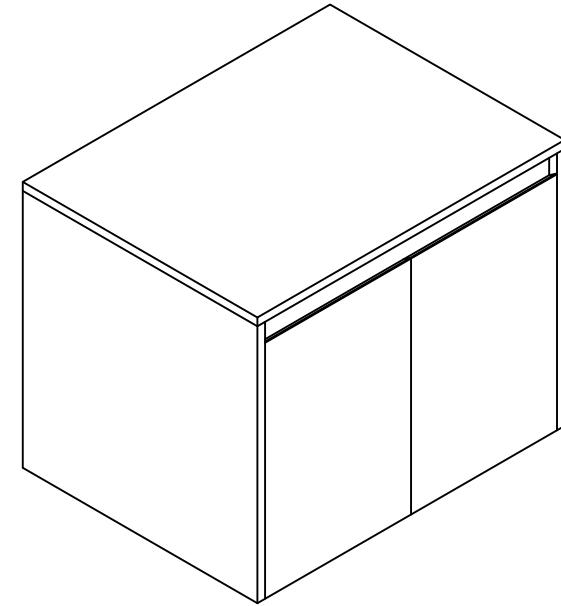


Installation Manual-BV B120 C24A

MOTIVATE
YOUR LIFE !

THANKS FOR WATCHING

Your feedback is invaluable to us and we would love to hear about your experience. Please take the time to leave us a review.


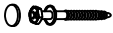
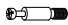









Thank you for shopping with us!

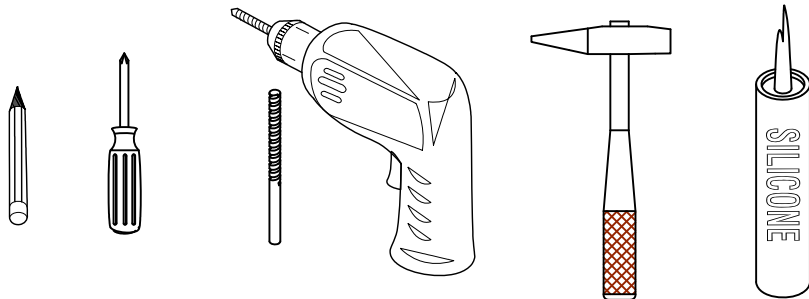
We encourage you to take a few minutes to go through this booklet. It contains important information on installation and care tips to keep your furniture looking as good as new.

Item NO.:BV B120 C24A

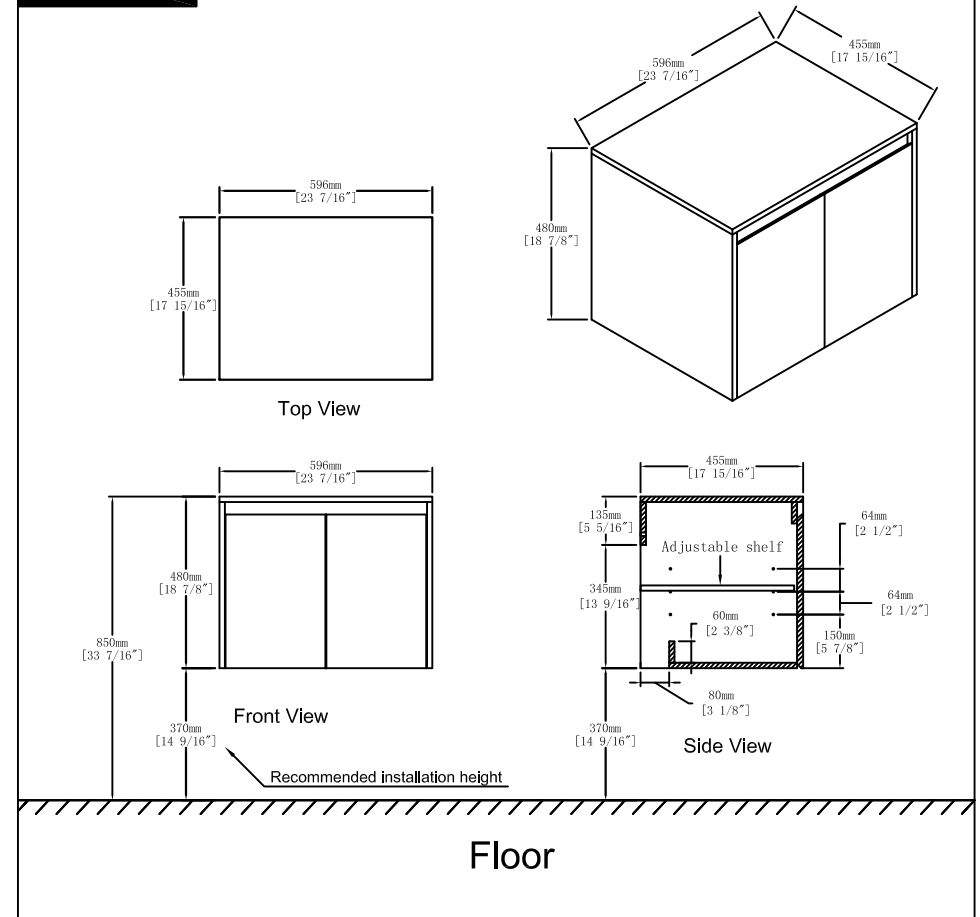
Hardware

NO.	Draw	QTY	NO.	Draw	QTY
A	 Screws Ø4x14mm	24	F	 Screws for fix on the wall	2
B	 Two-in-one connector	25	G	 Hinges(Internal hiding)	4
C	 Two-in-one connector	25	H	 Movable laminate support	4
D	 Wood plug	8	I	 Anti-collision gasket	4
E	 Plastic anchor(Ø10mm)	2	J	 Screwdriver	1

Recommended tools



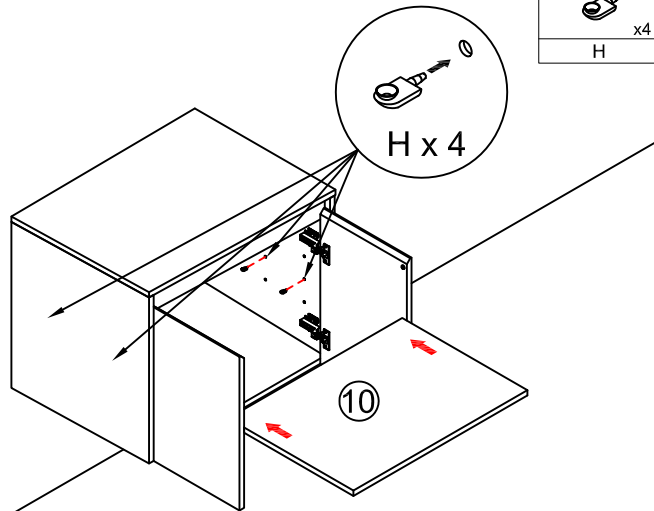
Dimensions



CARE CLEANING AND MAINTENANCE

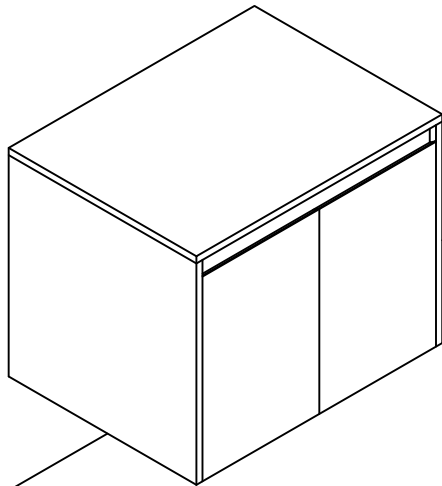
1. Dust regularly with a soft , dry cloth.
2. Avoid the use of all chemicals household cleaners, abrasives, or cleaners that contain lemon, vinegar, or other acids that may damage the finish.
3. Excessive exposure to sunlight and extreme changes in temperature and moisture can damage wood furniture.
4. Do not place hot appliances, such as curling irons and hot hair dryers directly on the countertop. Wipe spills immediately.

Step 13

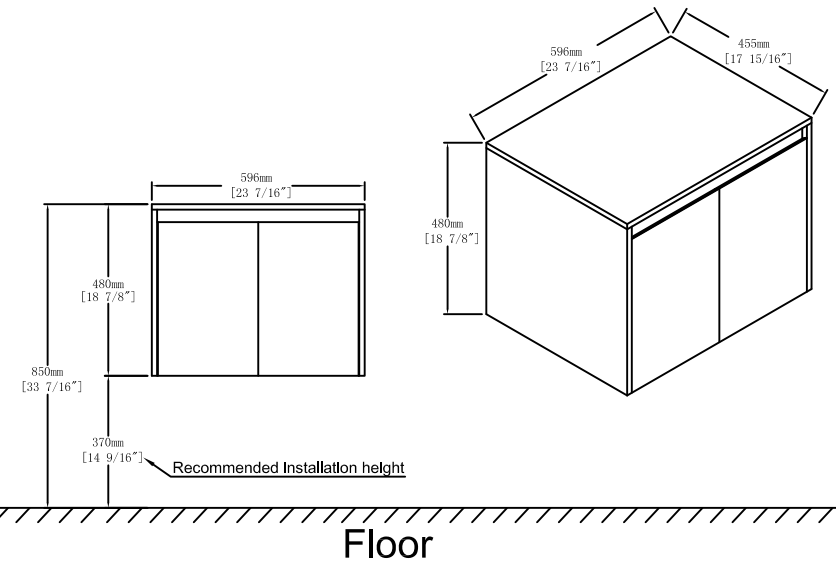


Notes:
The installation position can be selected according to the required height.

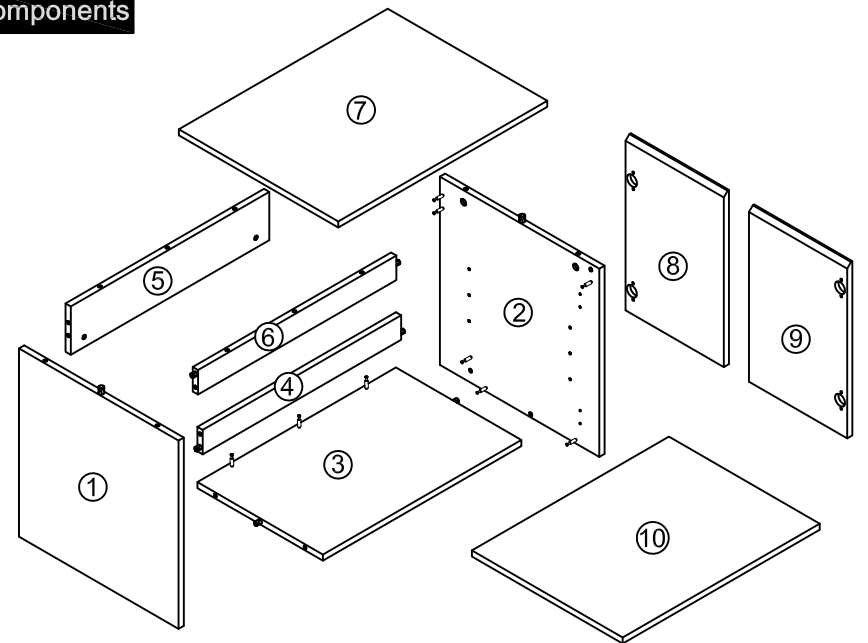
Finished

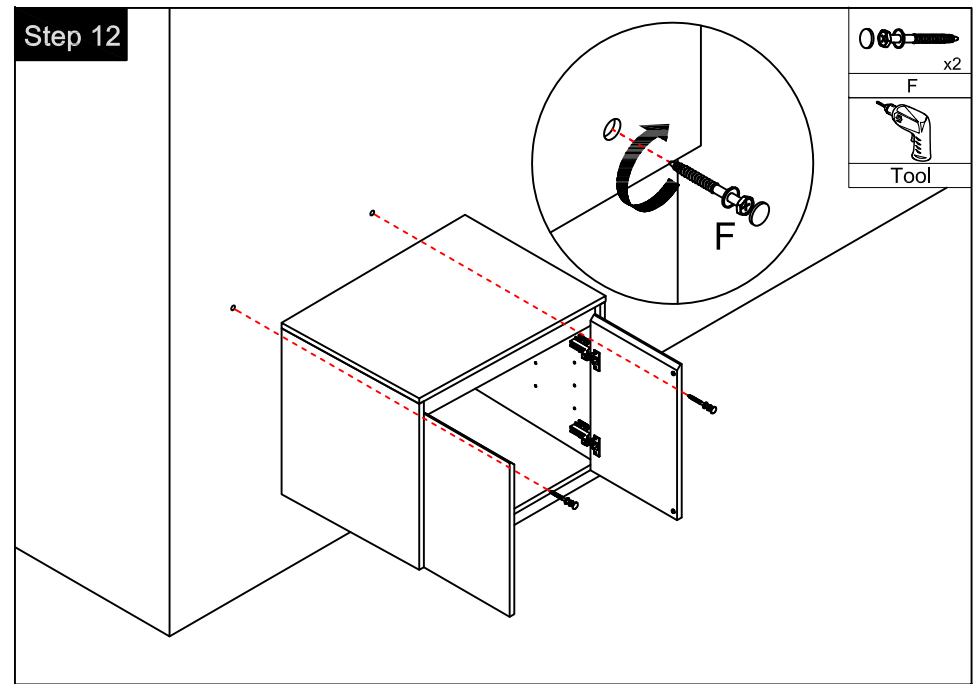
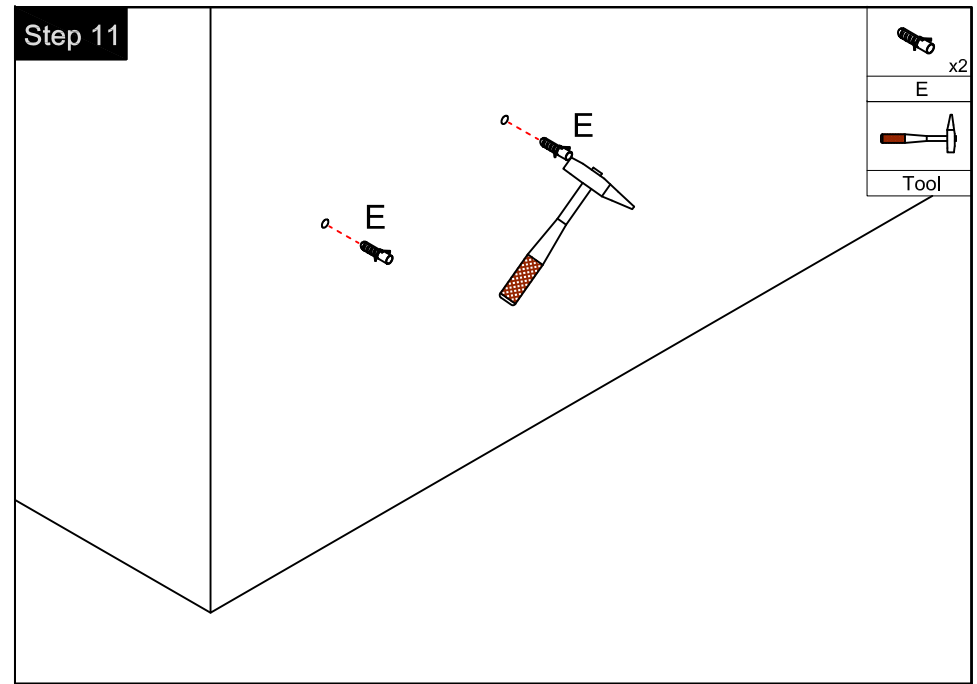
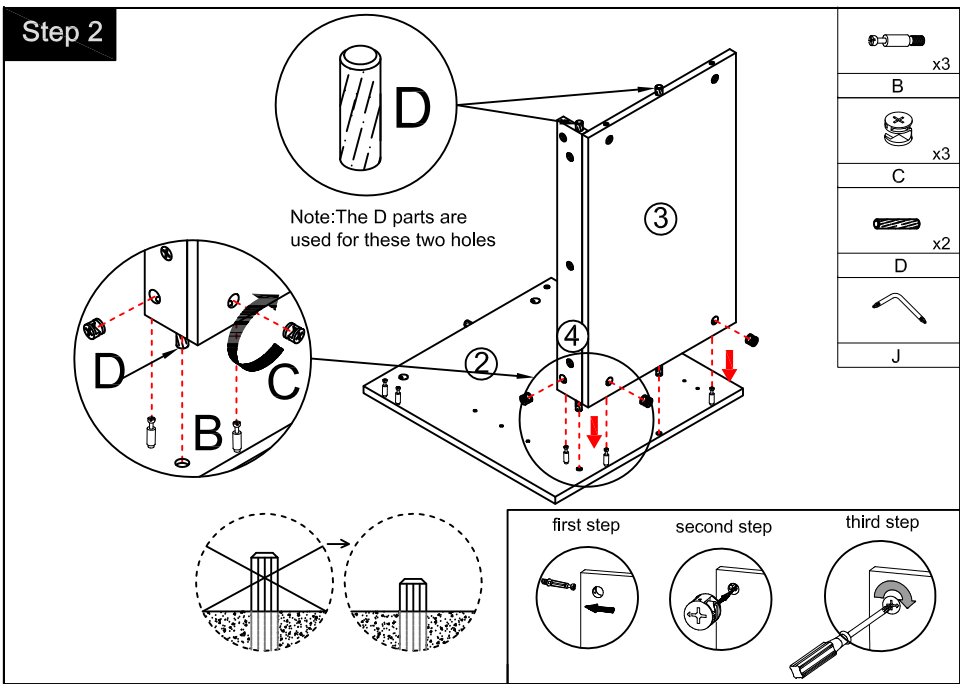
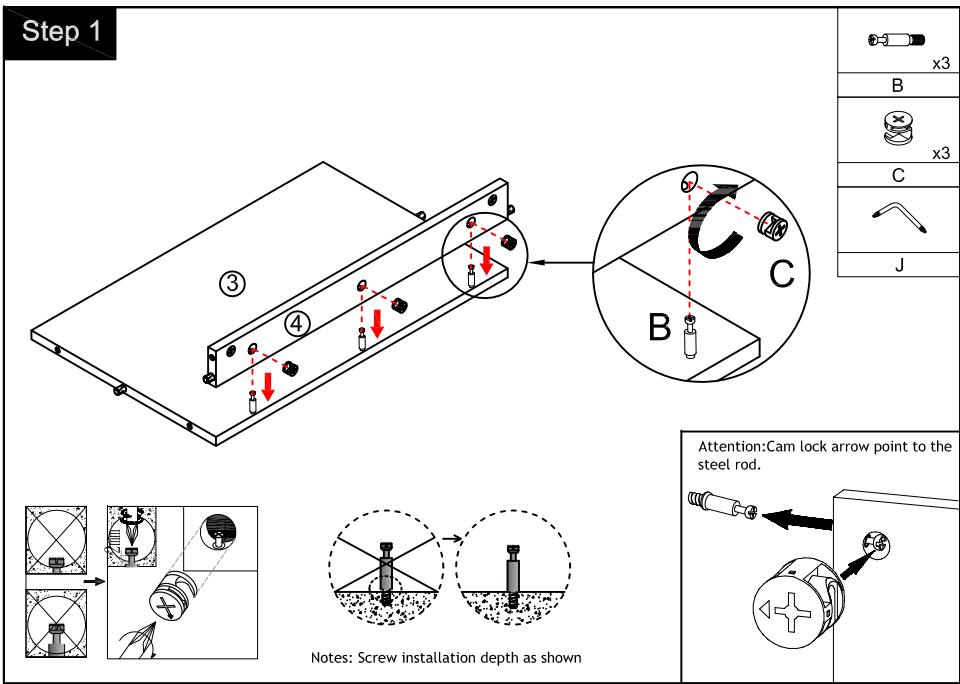


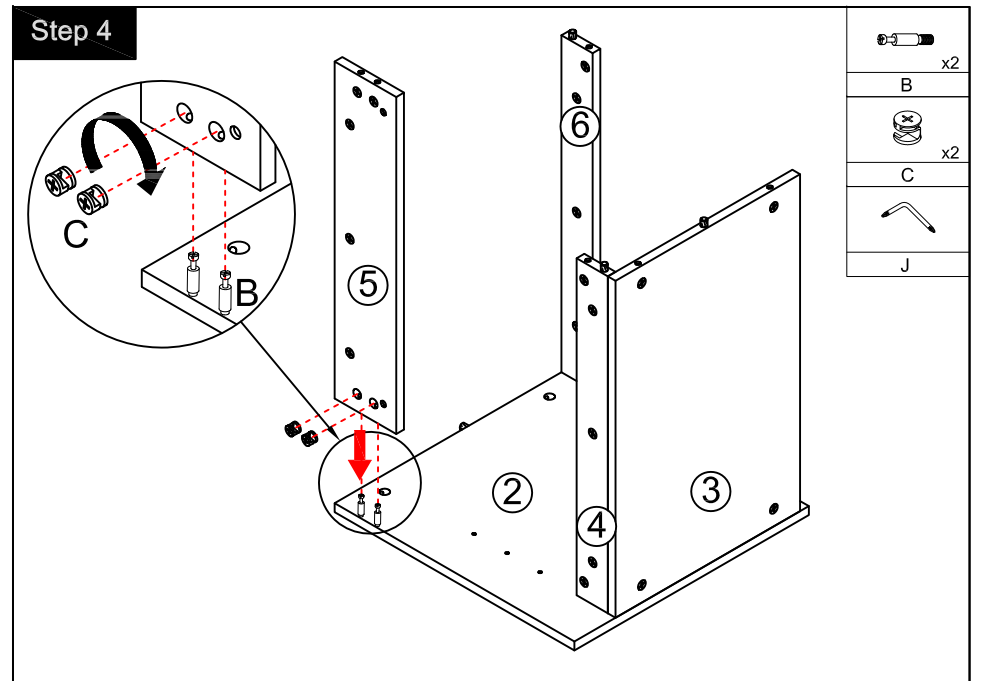
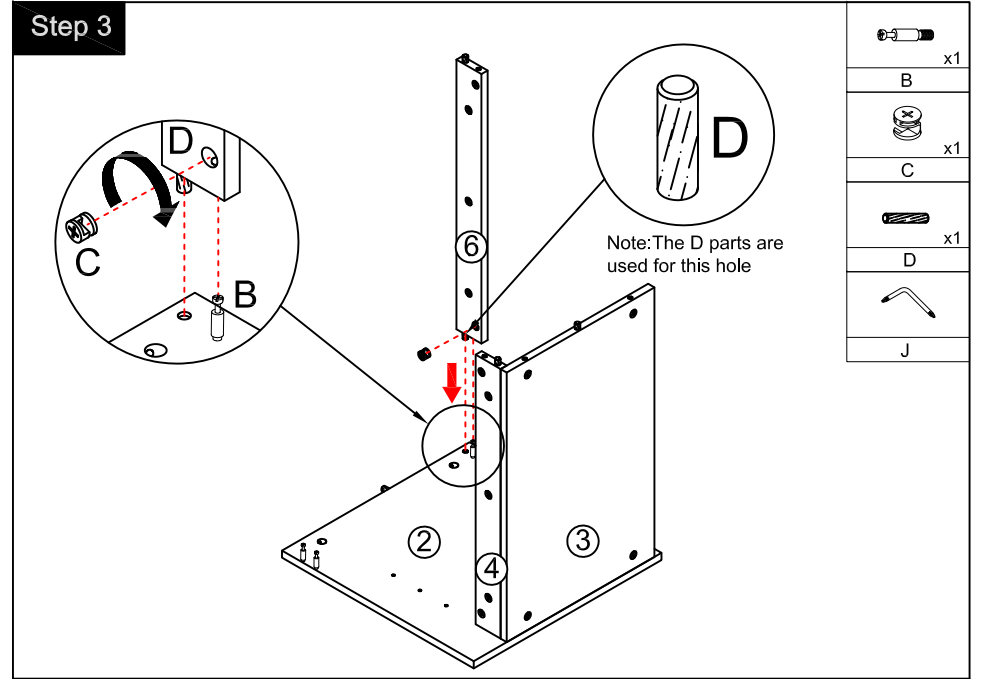
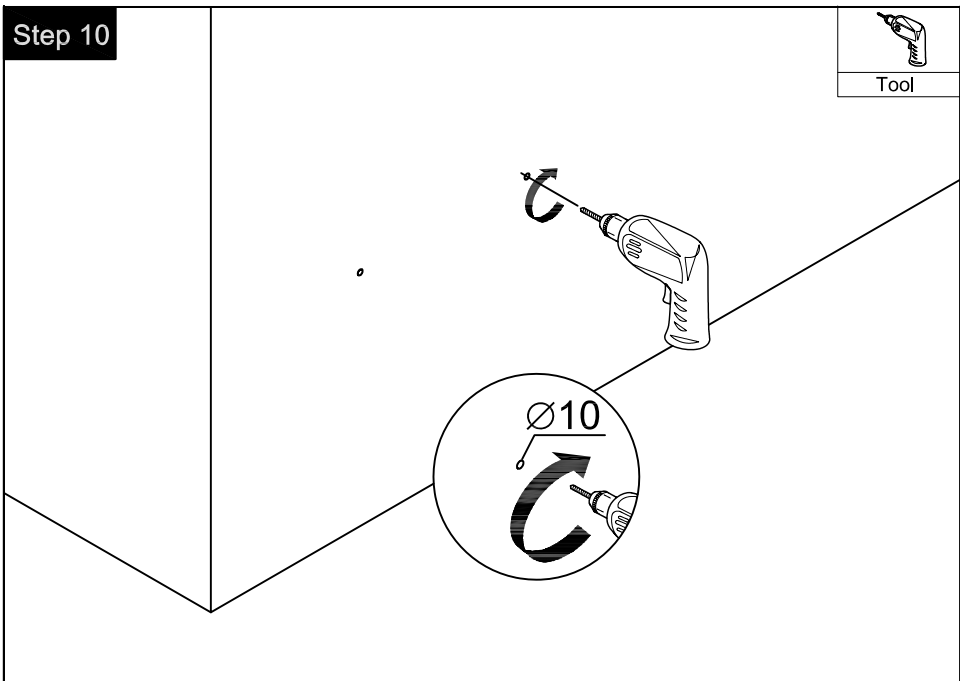
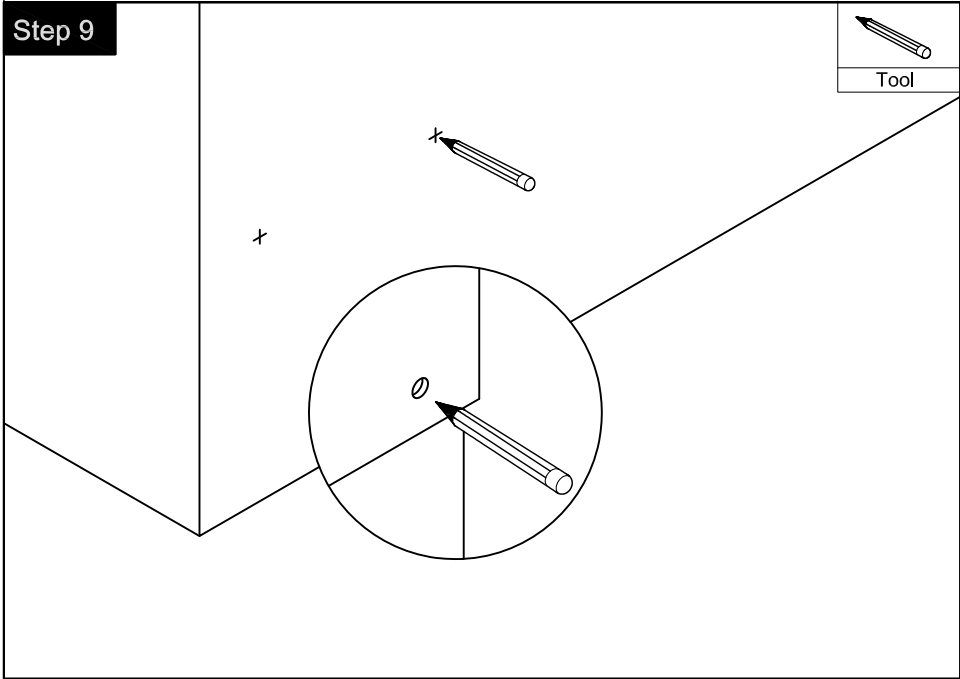
Dimensions

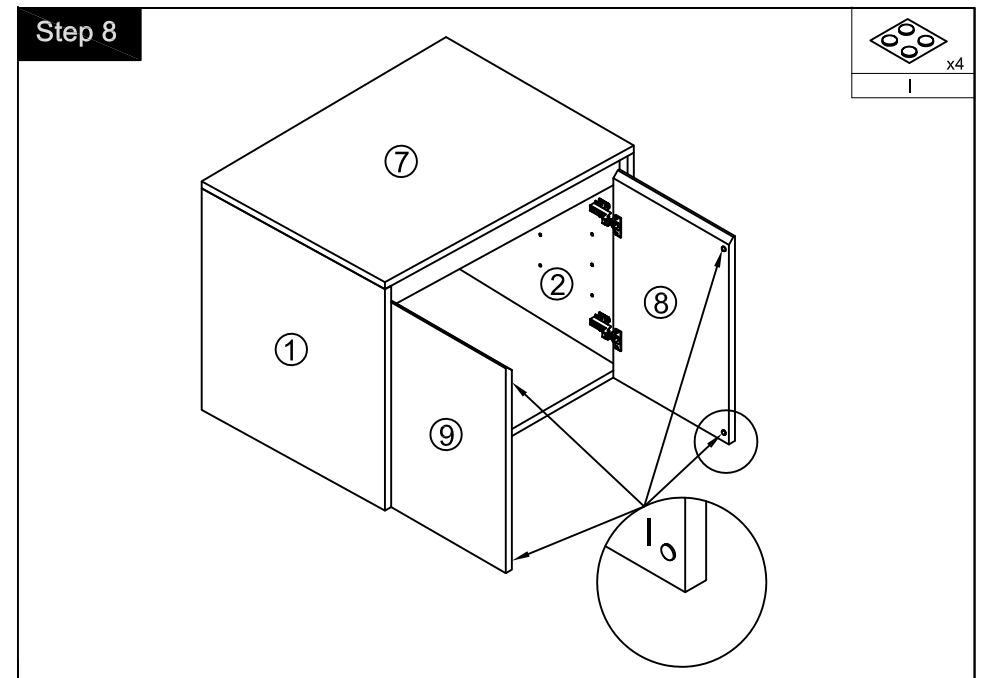
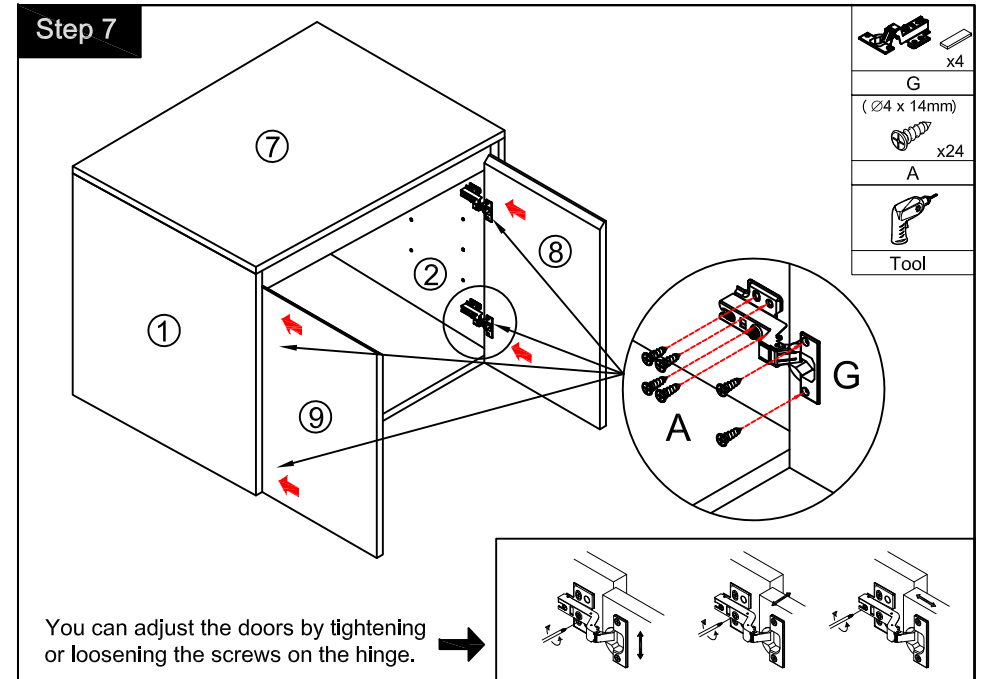
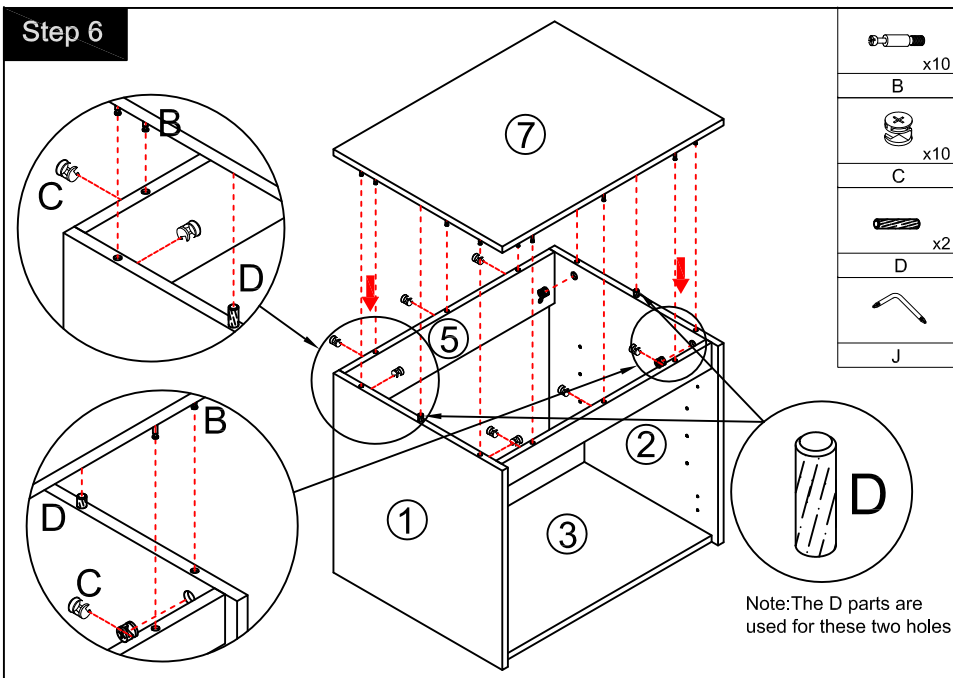
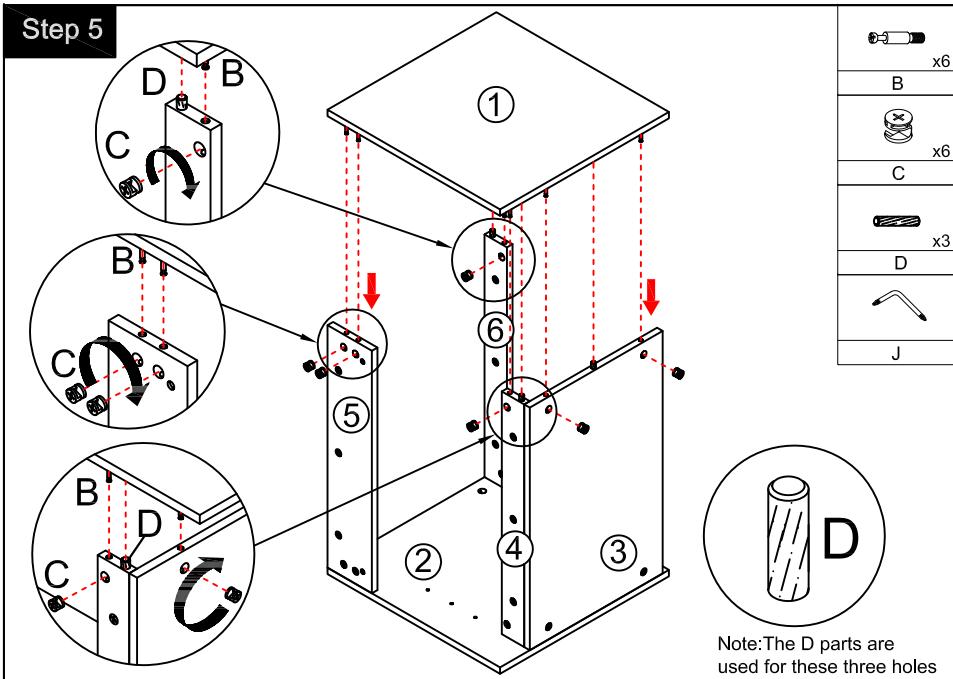


Components



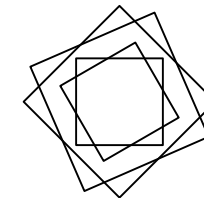
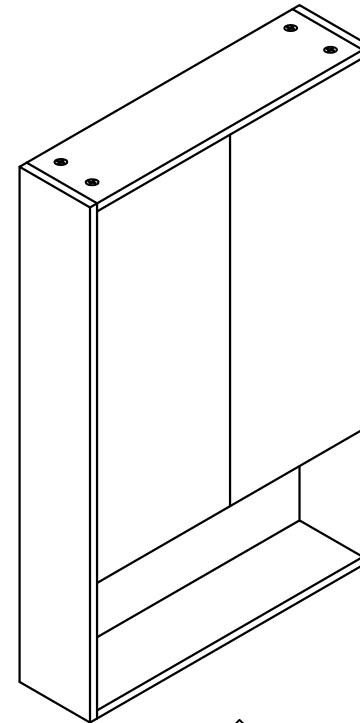






THANKS FOR WATCHING

Your feedback is invaluable to us and we would love to hear about your experience. Please take the time to leave us a review.



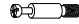


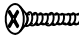





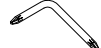


Thank you for shopping with us!

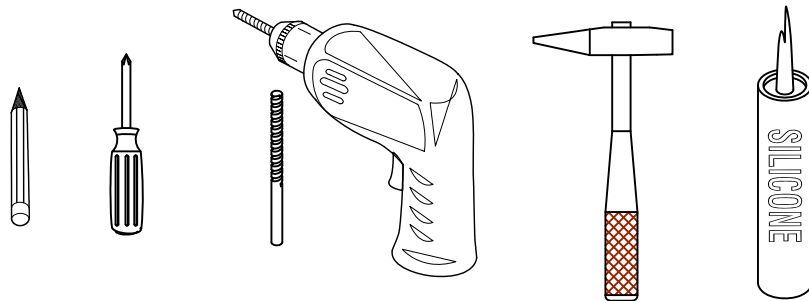
We encourage you to take a few minutes to go through this booklet. It contains important information on installation and care tips to keep your furniture looking as good as new.

Item NO.:BV B120 B24A

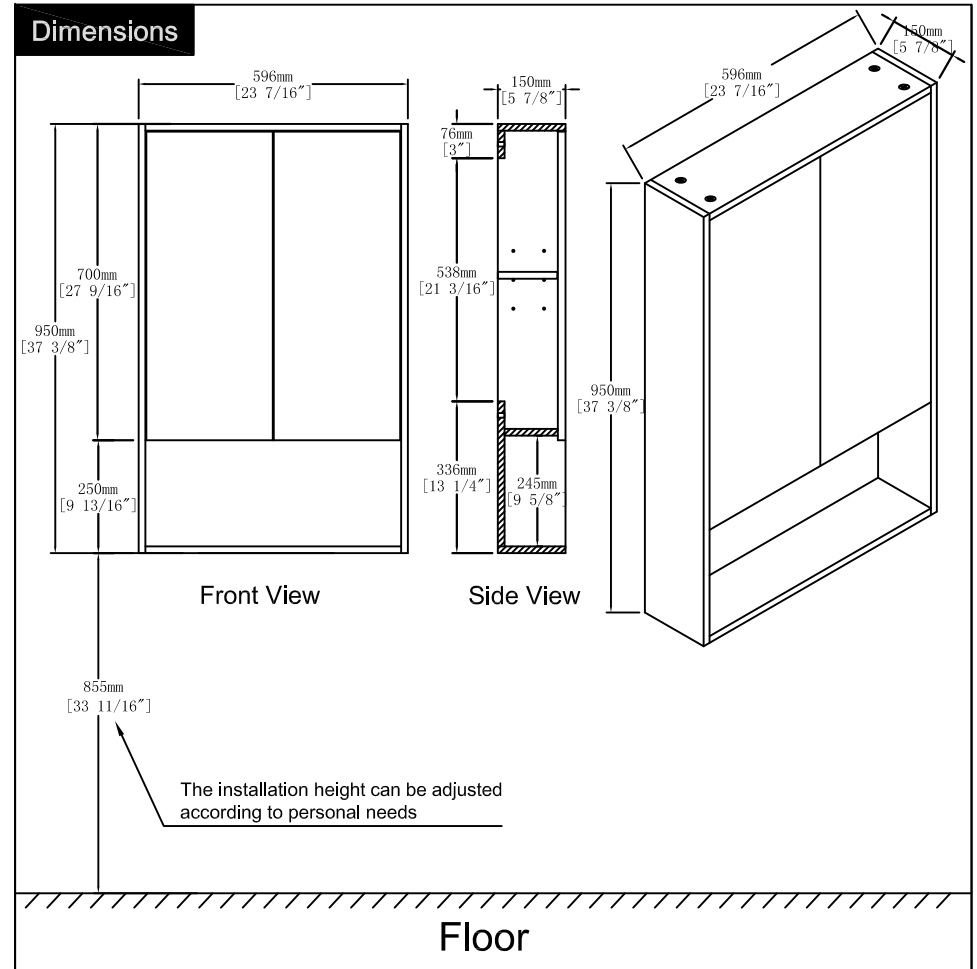
Hardware

NO.	Draw	QTY	NO.	Draw	QTY
A	 Screws Ø4 x 14 mm	24	G	 Screws for fix on the wall	4
B	 Two-in-one connector	24	H	 Wall hanging screw decorative cover	4
C	 Two-in-one connector	24	I	 Screws Ø4 x 25 mm	3
D	 Wood plug	2	J	 Anti-collision gasket	2
E	 Plastic anchor(Ø10mm)	4	K	 Movable laminate support	4
F	 Hinges (Internal hiding)	4	L	 Screwdriver	1

Recommended tools



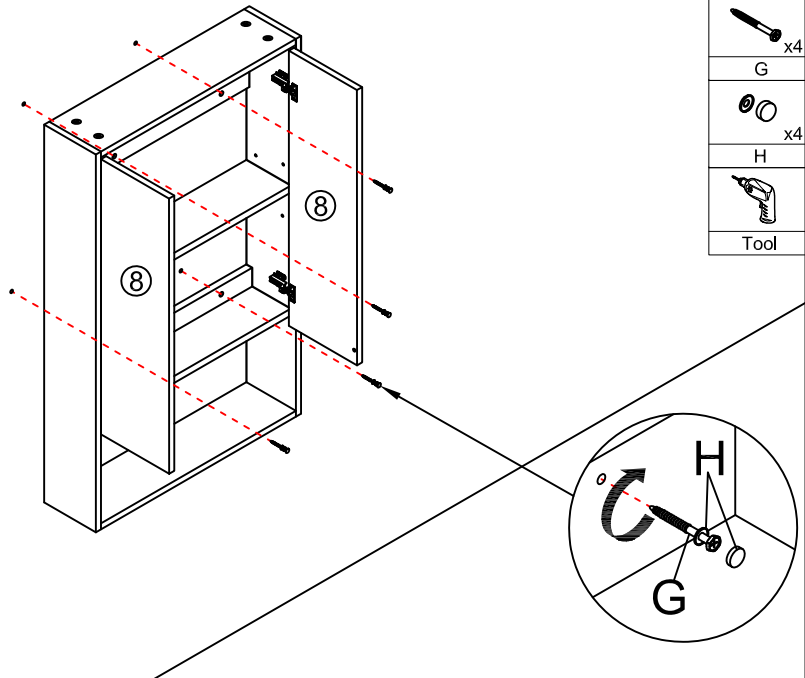
Dimensions



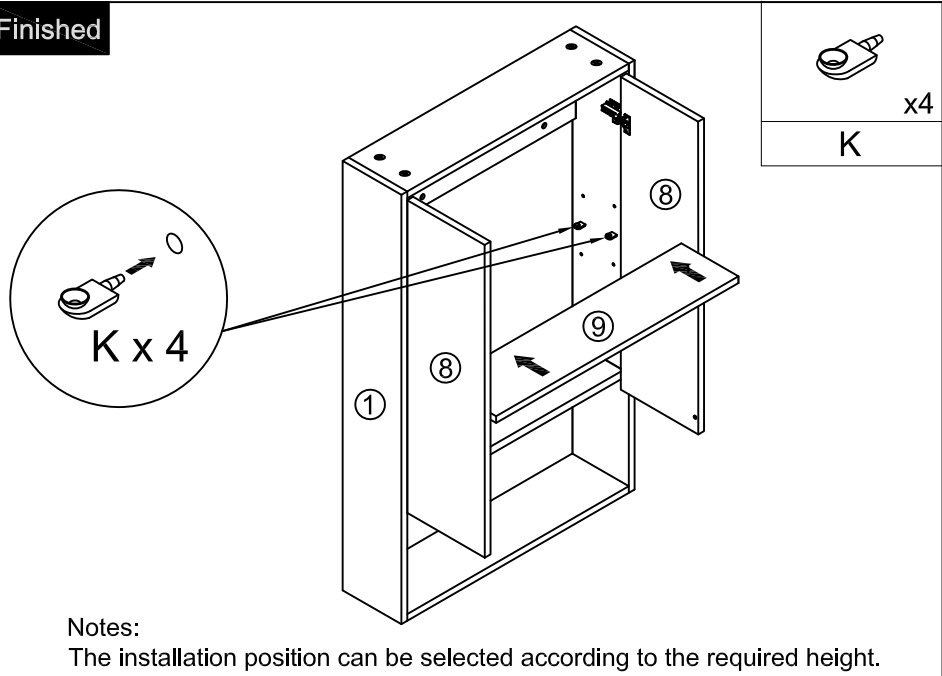
CARE CLEANING AND MAINTENANCE

1. Dust regularly with a soft , dry cloth.
2. Avoid the use of all chemicals household cleaners, abrasives, or cleaners that contain lemon, vinegar, or other acids that may damage the finish.
3. Excessive exposure to sunlight and extreme changes in temperature and moisture can damage wood furniture.
4. Do not place hot appliances, such as curling irons and hot hair dryers directly on the countertop. Wipe spills immediately.

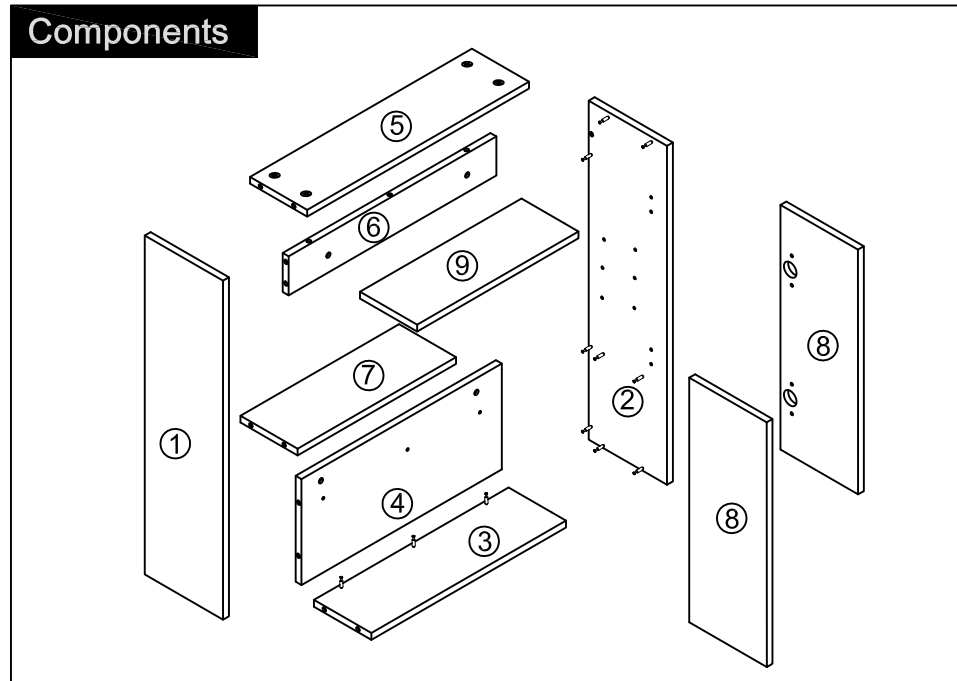
Step 7



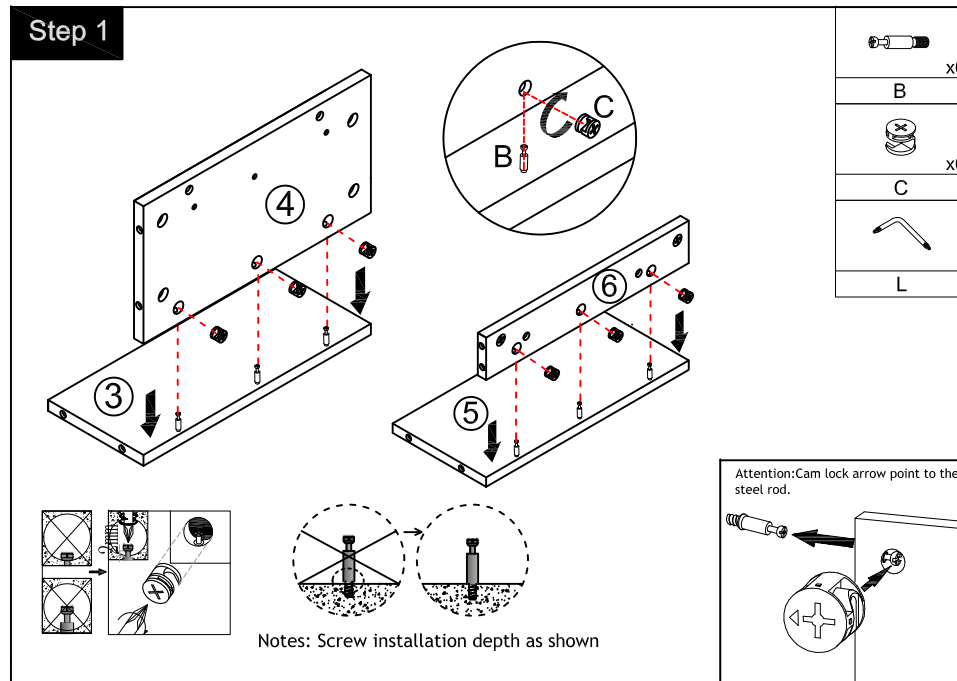
Finished



Components



Step 1



Step 2

Note: The D parts are used for these this hole

	x9
	x9
	x1

Step 4

Note: The D parts are used for these this hole

$\text{\O}4 \times 14\text{mm}$	
	x24
	x4
	x2

You can adjust the doors by tightening or loosening the screws on the hinge. →

Step 3

Note: The D parts are used for these this hole

	x9
	x9
	x1
	x3

Step 5

Note: The D parts are used for these this hole

	x4

Step 6

Note: The D parts are used for these this hole

	x4