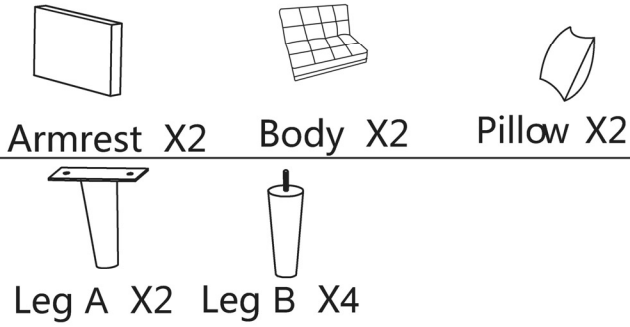






ASSEMBLY INSTRUCTION

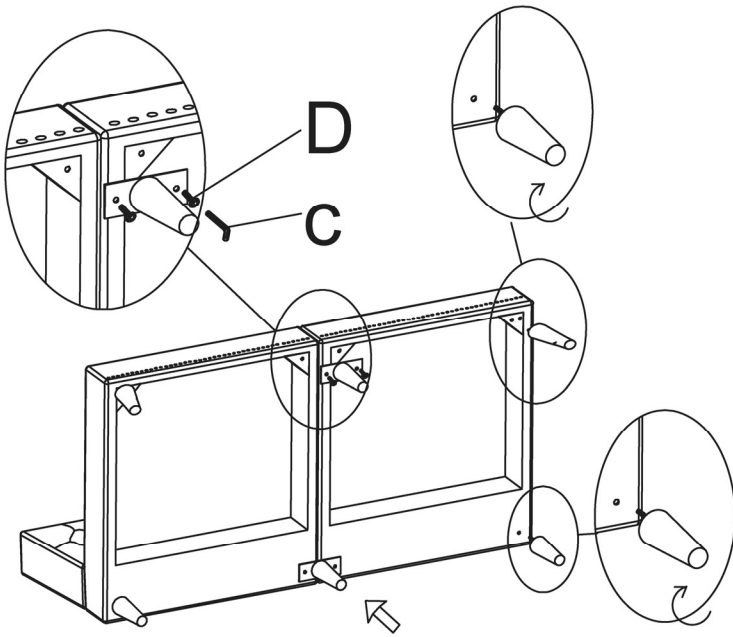
ITEM NO:HY104

PARTS AND HARDWARE

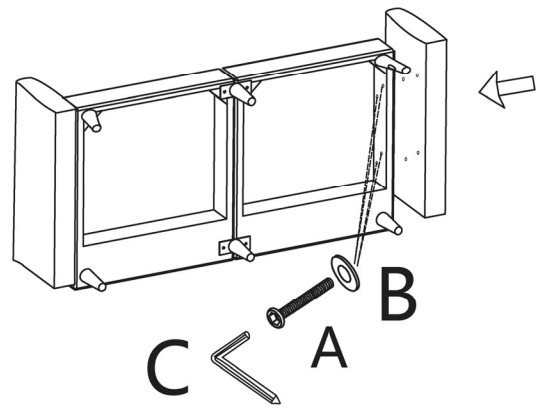


A	M8 	8PCS			
B		8PCS			
C	5# 	1PC			
D	M6 	4PCS			

STEP 1



STEP 2



STEP 3

