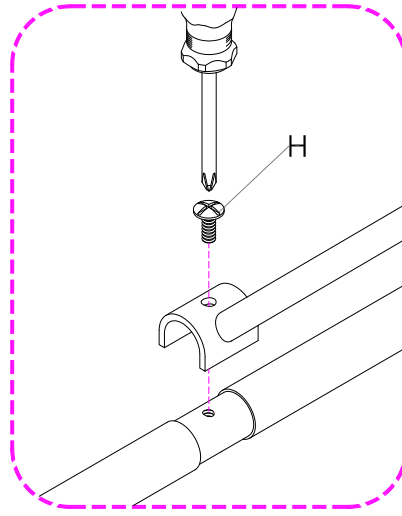
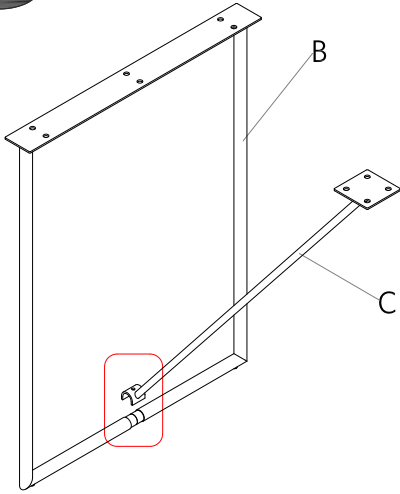


BRIDGE DINING TABLE

1



A		1
---	--	---

B		2
---	--	---

C		2
---	--	---

D		20
---	--	----

E		20
---	--	----

F		20
---	--	----

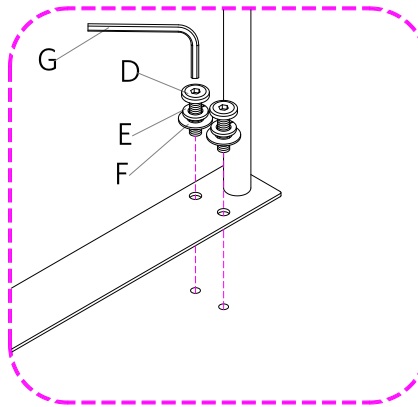
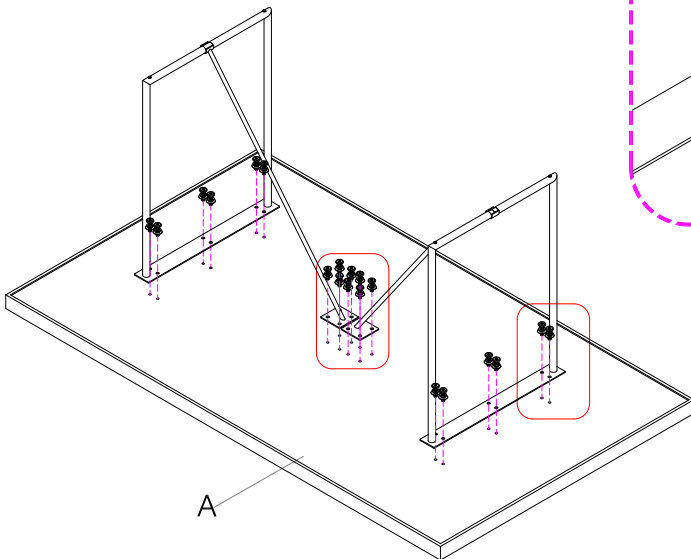
G		1
---	--	---

H		2
---	--	---

I		1
---	--	---

(Not Provided)

2



3

