

## "Why Our Furniture Comes in Smaller, Easy-To-Assemble Packages"

We believe that thoughtful packaging and design are essential to providing quality furniture that's better for the environment and easier on your wallet. That's why our products are shipped in fully knock-down, space-efficient packaging. This approach reduces the carbon footprint of transportation, minimizes packaging waste, and ultimately allows us to pass on significant savings to you. Additionally, our flat-packed designs make it simple to move and assemble your new furniture at home, saving you time and costly delivery fees. With a little consumer effort, you'll enjoy great furniture at a lower cost while making a greener choice for the planet. Take your time, follow the instructions, and enjoy watching your vision come to life--piece by piece."

**W**e believe you will absolutely love your new furniture. Please immediately examine this product carefully. Any request for missing part or damage replacement must be received within 90 days of your receipt of the product. For some reason you want to return the product, please contact us directly before you decide to return your product to the retailer. Our Customer Service team can answer most concerns and can assist you with any questions you may have about your new product.

Have these ready when you email:

- **Item Number**
- **PO #**
- **Purchaser Name**
- **Description of the problem and/or the Part Number needed**
- **Proof of Purchase**

Replacements for missing or damaged parts or hardware are normally shipped within 3 to 5 business days and we thank you for your patient.

The item must be returned in good condition, in original box, with all original proof of purchase, parts and accessories, within the time frame specified by the retailer it was purchased from.

### **90-Day Limited Warranty Statement for Manufacturing Defects**

Please read this Limited Warranty carefully. To maintain your Warranty, you will need to comply with the conditions stated here.

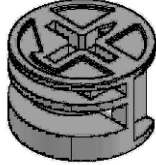
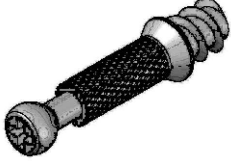
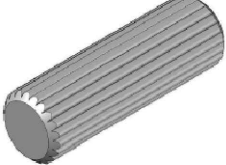


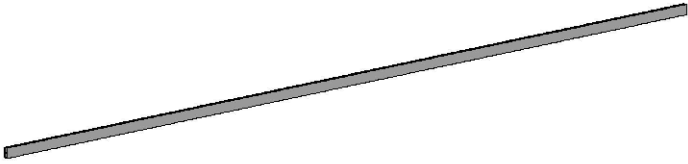
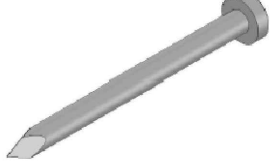

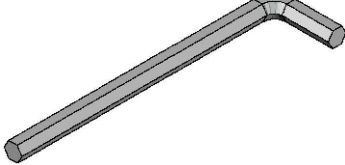
This warranty is for manufacturing defects only and does not cover damages as a result of misuse.

1. Our products sold comply with the description contained in this Warranty. All parts and products are warranted 90-Day from the original date of delivery except: parts and products used for commercial, contract, rental trade, institutional, or any other non-residential purposes; parts and products that have not been maintained in accordance with the care recommendations provided; parts and products damaged resulting from the consumer's improper assembly; or parts and products that are damaged or defective due to normal wear and tear.
2. To exercise rights under this warranty, proper documentation, i.e., photography, purchase order number, manufacturer's bar code label, and or any other pertinent information upon request is required. We reserve the right to repair or replace the product within the warranty period based upon the documentation received as support of a claim for consideration. We will not replace or repair any product if improper maintenance, improper handling, or improper use caused the damage. Any product sold from or modified by a Non-Authorized Dealer, Seller or Consumer will void the Warranty.
3. Cost of packaging and shipping to and from us is not covered by the warranty unless expressly arranged by us. This warranty does not extend to furniture that has been exchanged or replaced by us as settlement of an original claim of defective merchandise. This warranty does not extend to furniture that has been moved from delivery location on original purchase order.

We appreciate your business!

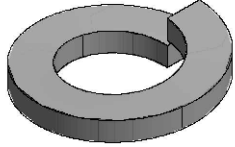
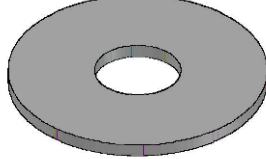
# ASSEMBLY INSTRUCTION

## HARDWARES LIST

ITEM	DESCRIPTION	DRAWING	QTY
A	MINIFIX CAM LOCK		66 PCS
B	MINIFIX CAM BOLT		66 PCS
C	WOOD DOWEL (M8 x 25MM)		34 PCS
D	WOOD DOWEL (M6 x 25MM)		48 PCS
E	JCBC SCREW M6 x 55MM		4 PCS
F	PLASTIC STRIP (H SHAPE)		1 PC
G	6/8" NAIL		28 PCS
H	TIPPING RESTRAINT		1 PC
I	M4 ALLEN KEY (65MM)		1 PC

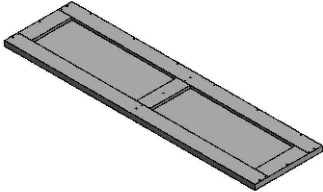
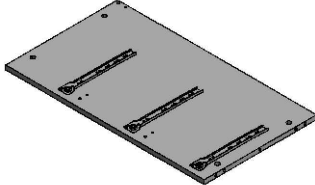
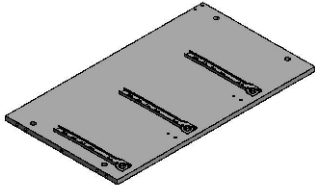
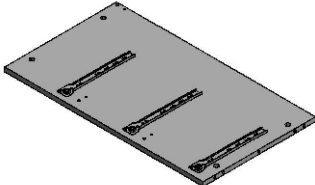
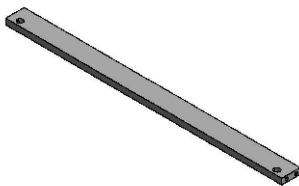
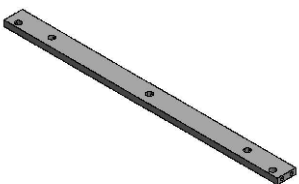
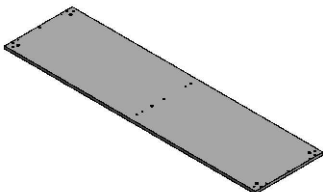
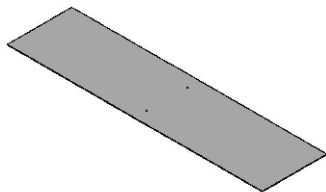
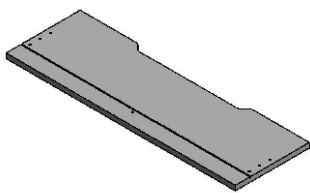
# ASSEMBLY INSTRUCTION

## HARDWARES LIST

ITEM	DESCRIPTION	DRAWING	QTY
J	SPRING WASHER M6 x 13MM	 A 3D perspective drawing of a spring washer, which is a ring-shaped component with a split, curved edge that allows it to compress and exert tension.	4 PCS
K	FLAT WASHER M6 x 19MM	 A 3D perspective drawing of a flat washer, which is a thin, circular disc with a central hole.	4 PCS

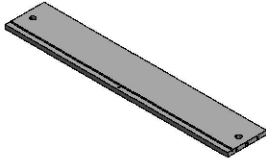
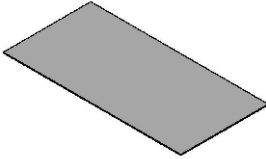
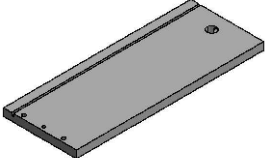
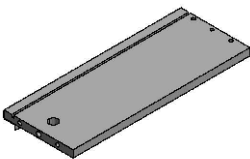
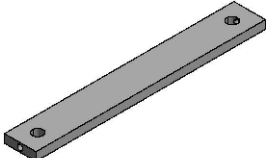
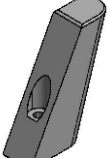
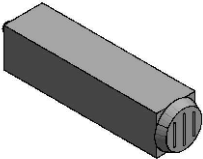
# ASSEMBLY INSTRUCTION

## PARTS LIST

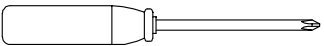
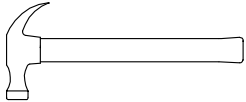
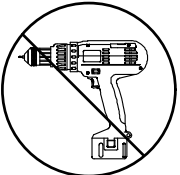
ITEM	DESCRIPTION	DRAWING	QTY
D1	TOP PANEL		1 PC
D2	LEFT PANEL		1 PC
D3	RIGHT PANEL		1 PC
D4	CENTRE PANEL		1 PC
D6	FRONT CENTRE SUPPORT RAIL		4 PCS
D7	BACK TOP SUPPORT RAIL		2 PCS
D11	BOTTOM PANEL		1 PC
D12	BACK PANEL		2 PCS
D13	DRAWER HEAD		6 PCS

# ASSEMBLY INSTRUCTION

## PARTS LIST

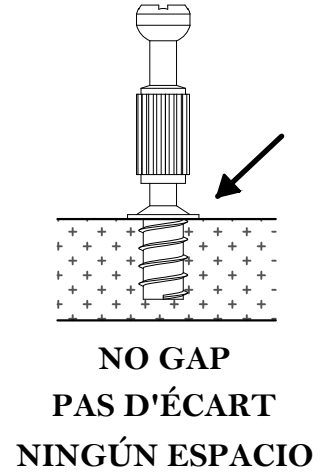
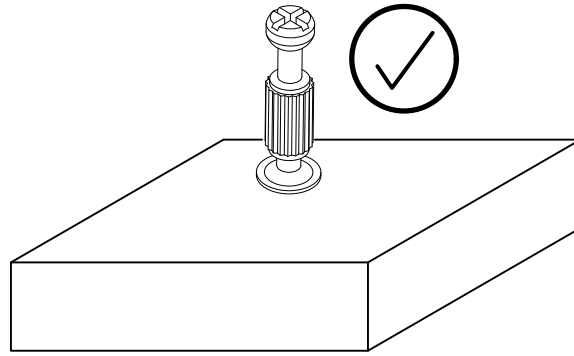
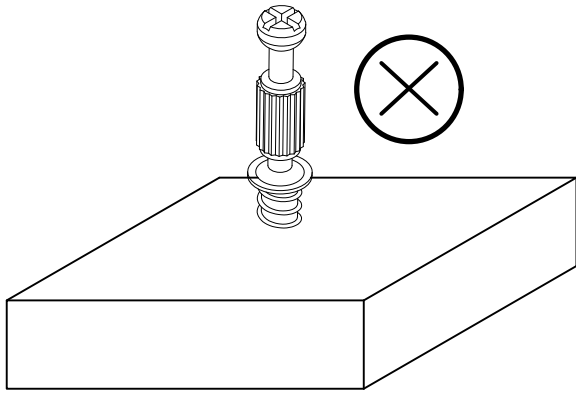
ITEM	DESCRIPTION	DRAWING	QTY
D14	DRAWER BACK PANEL		6 PCS
D15	DRAWER BOTTOM PANEL		6 PCS
19	DRAWER LEFT PANEL		6 PCS
20	DRAWER RIGHT PANEL		6 PCS
21	DRAWER BOTTOM SUPPORT RAIL		6 PCS
22	LEG		4 PCS
D24	CENTER LEG		1 PC

\*Note: All parts needed are shown in above picture.  
Numbers only indicate the specific parts for easy assembly.

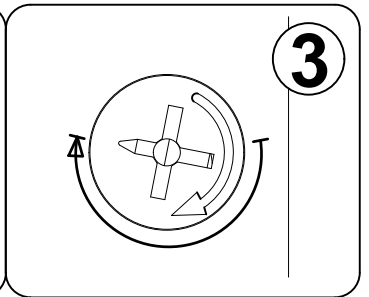
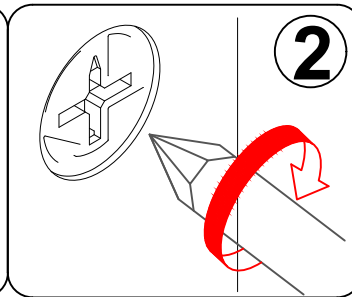
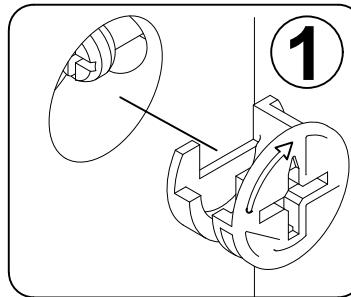
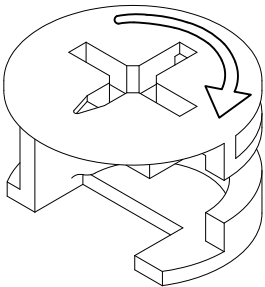
ASSEMBLY TOOLS REQUIRED	
<p><b>1. Screwdriver (not provide)</b></p> 	<p><b>2. Hammer (not provide)</b></p> 
<p><b>3. Skip the power trip this time.</b></p> 	

**THINGS TO REMEMBER FOR ASSEMBLY**  
**CHOSSES À SE SOUVENIR POUR UNE ASSEMBLEE**  
**COSAS PARA RECORDAR EN UNA ASAMBLEA**

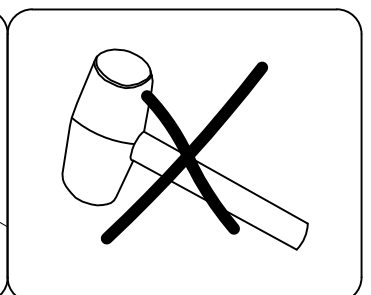
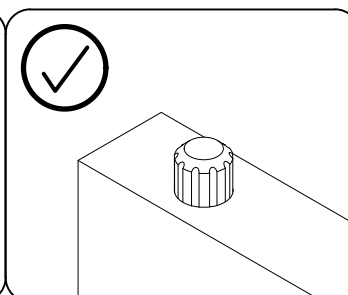
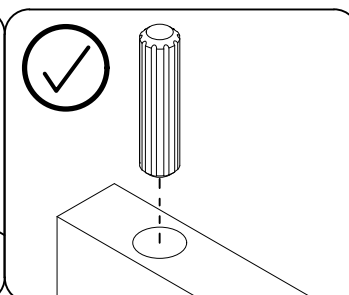
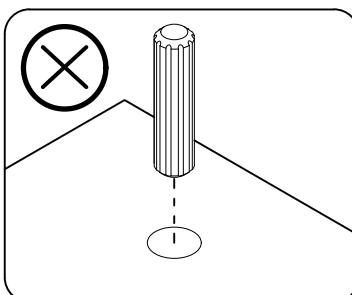
**MINIFIX BOLT**  
**BOULON MINIFIX**  
**PERNO MINIFIX**



**MINIFIX CAM**  
**CAMERA MINIFIX**  
**CÁMARA MINIFIX**

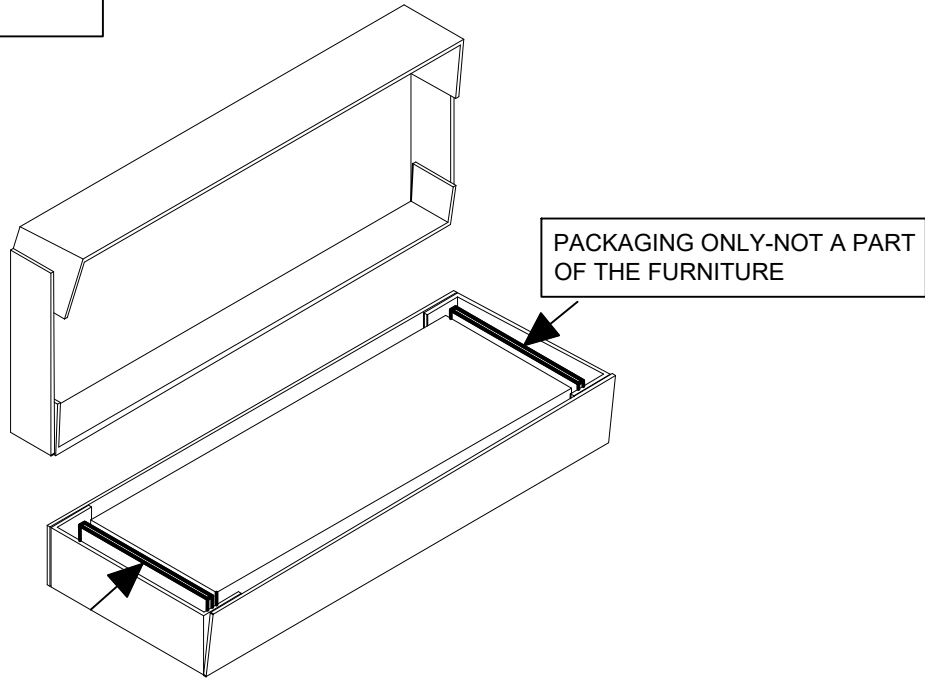


**WOOD DOWEL**  
**CHEVILLE BOIS**  
**PASADOR DE MADERA**

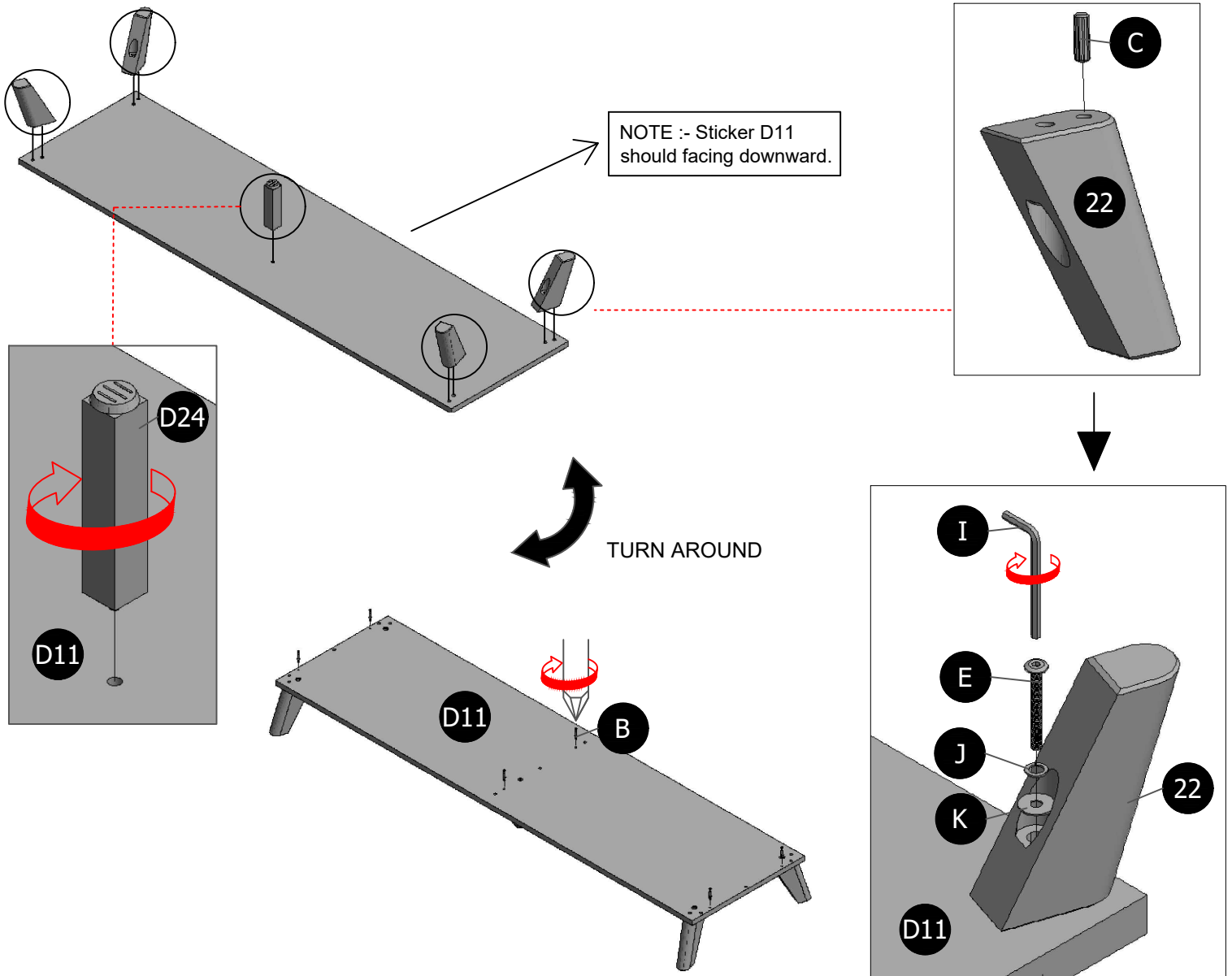


# ASSEMBLY INSTRUCTION

NOTE : - The outer board is for protection of packaging only, not part of furniture. Please throw it before assembly.



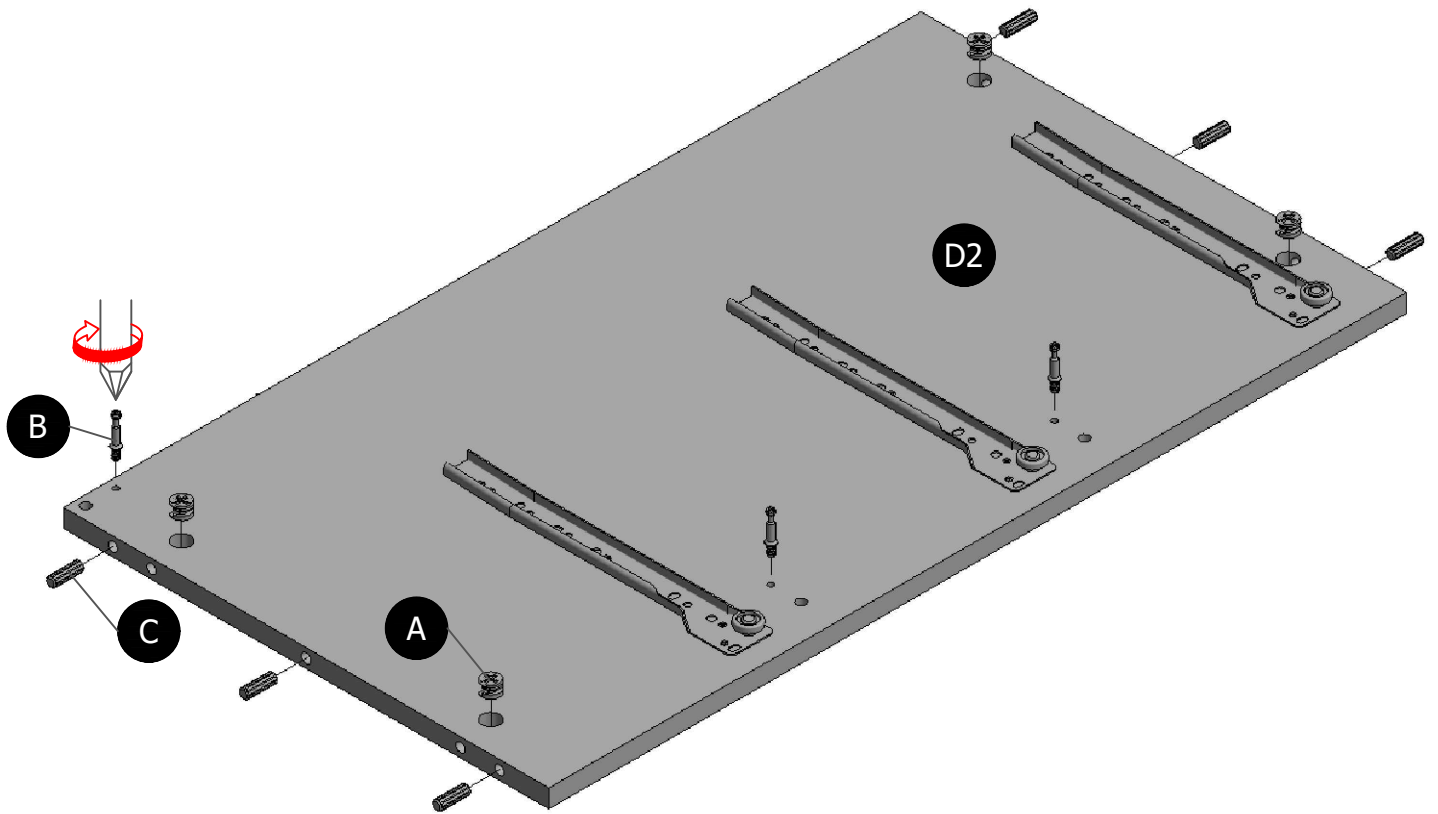
## STEP 1



# ASSEMBLY INSTRUCTION

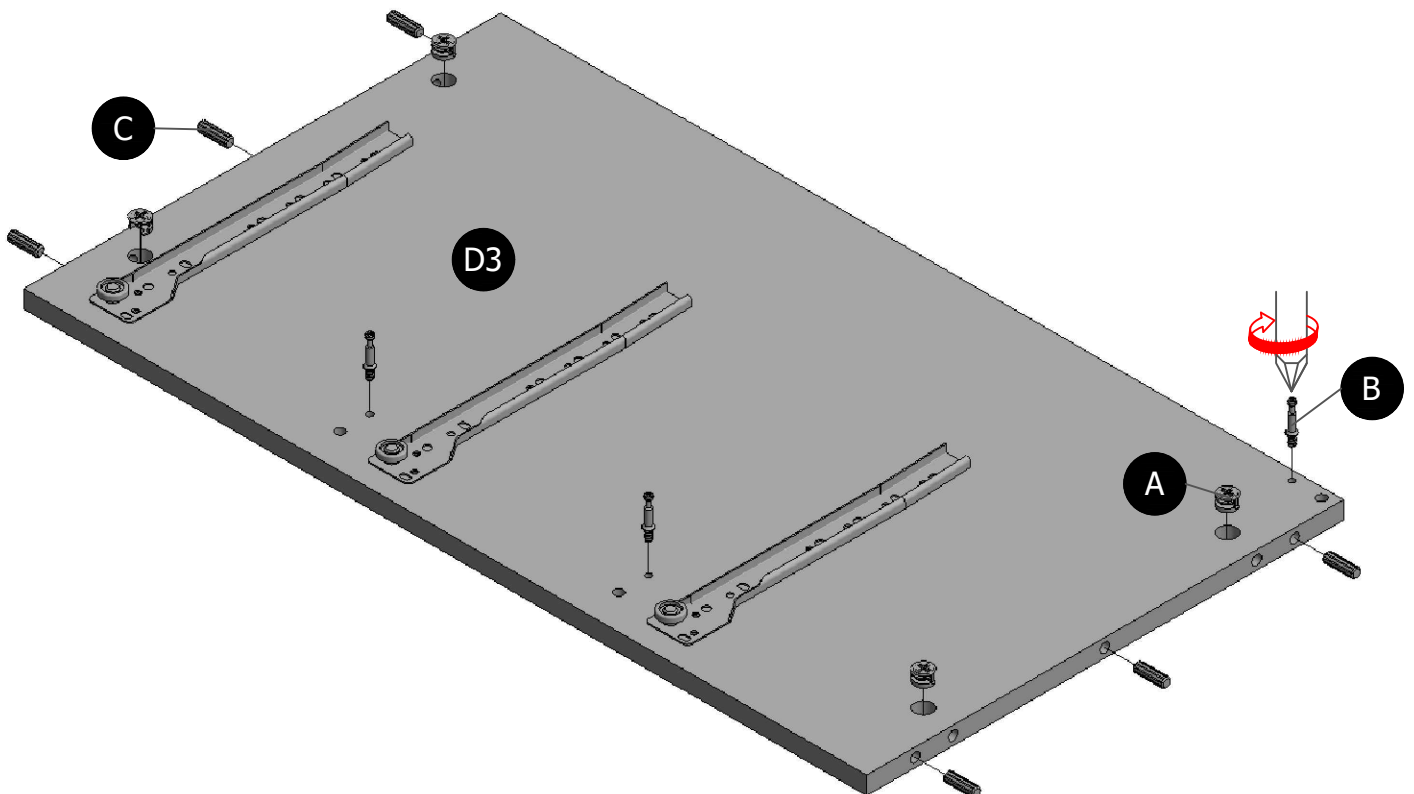
## STEP 2

NOTE : - Make sure arrows on each (A) point towards nearest edge with hole.



## STEP 3

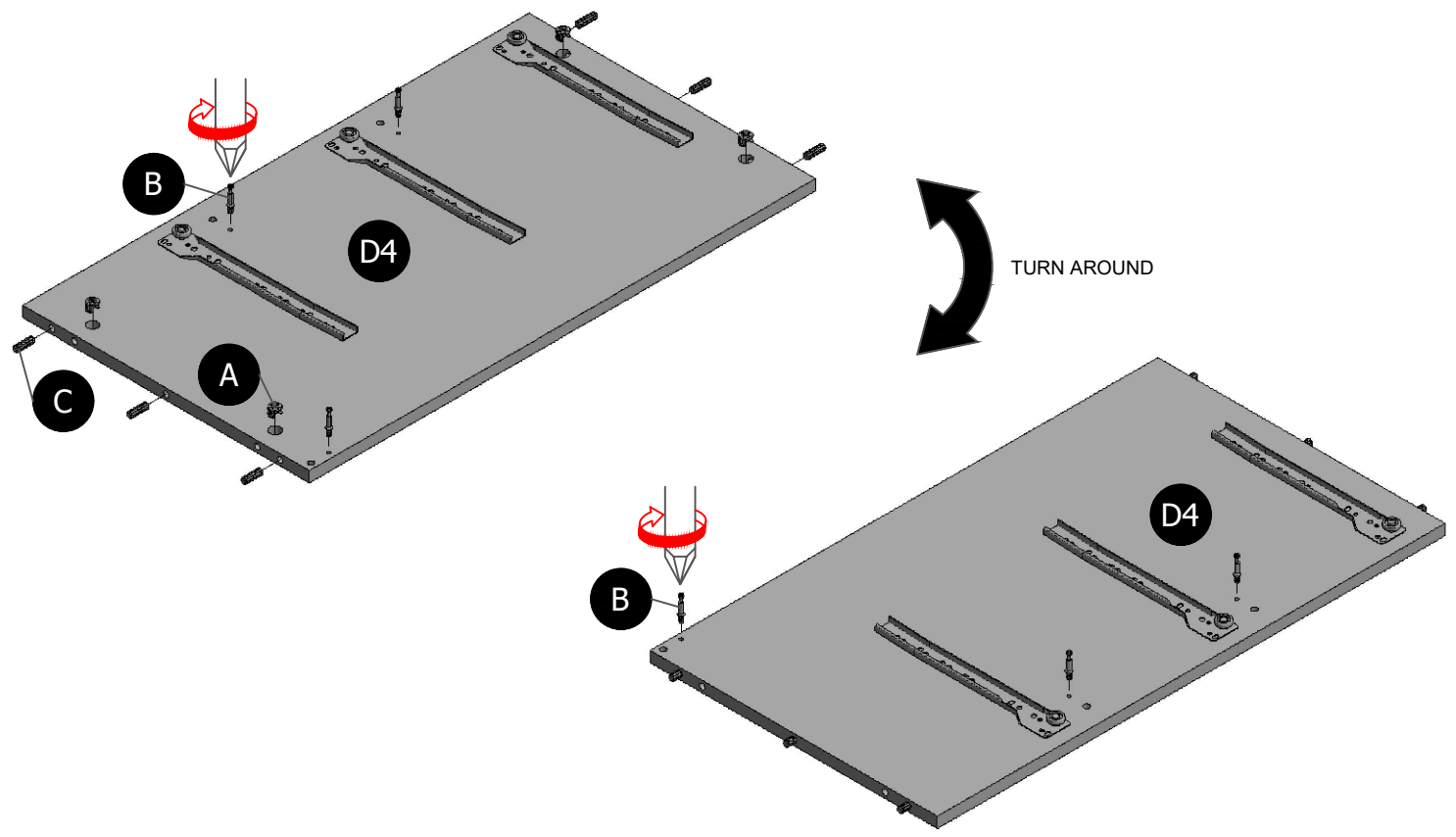
NOTE : - Make sure arrows on each (A) point towards nearest edge with hole.



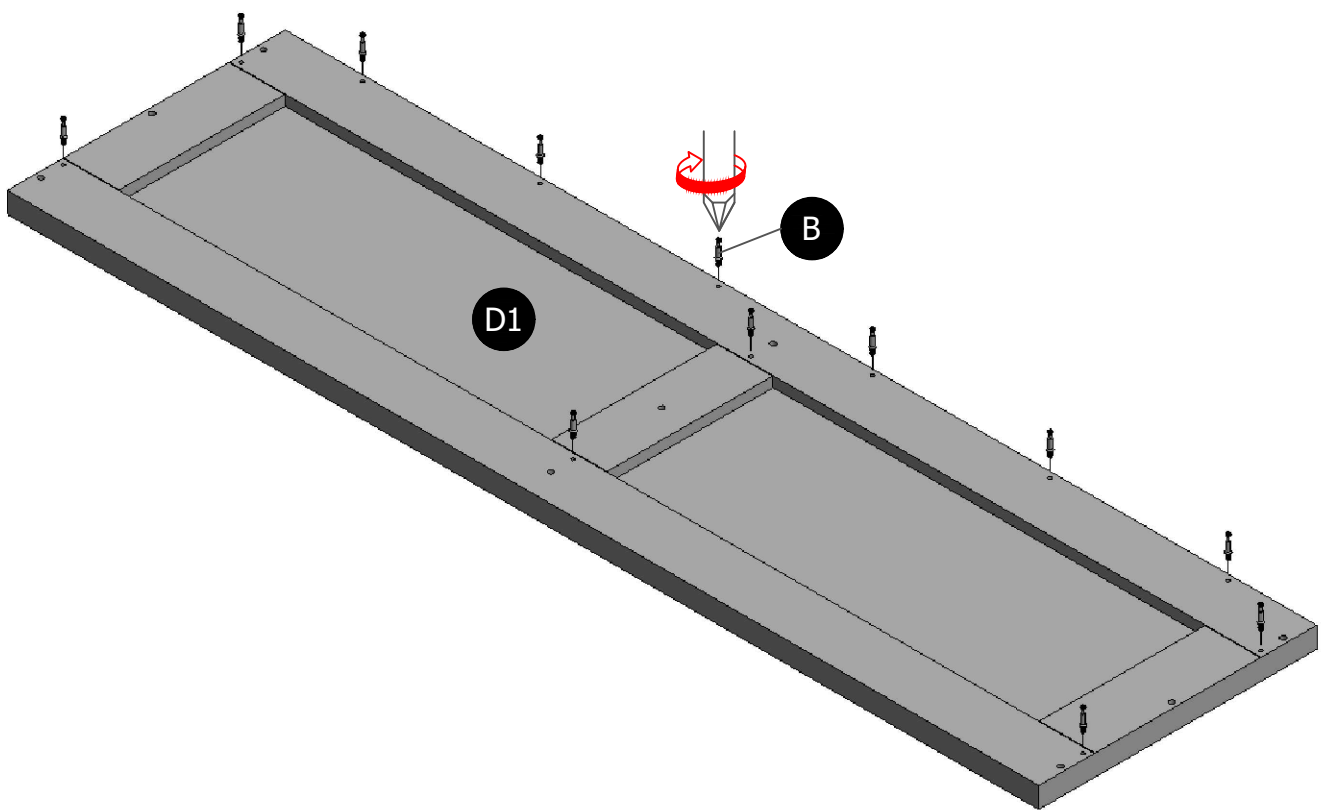
# ASSEMBLY INSTRUCTION

## STEP 4

NOTE : - Make sure arrows on each (A) point towards nearest edge with hole.



## STEP 5

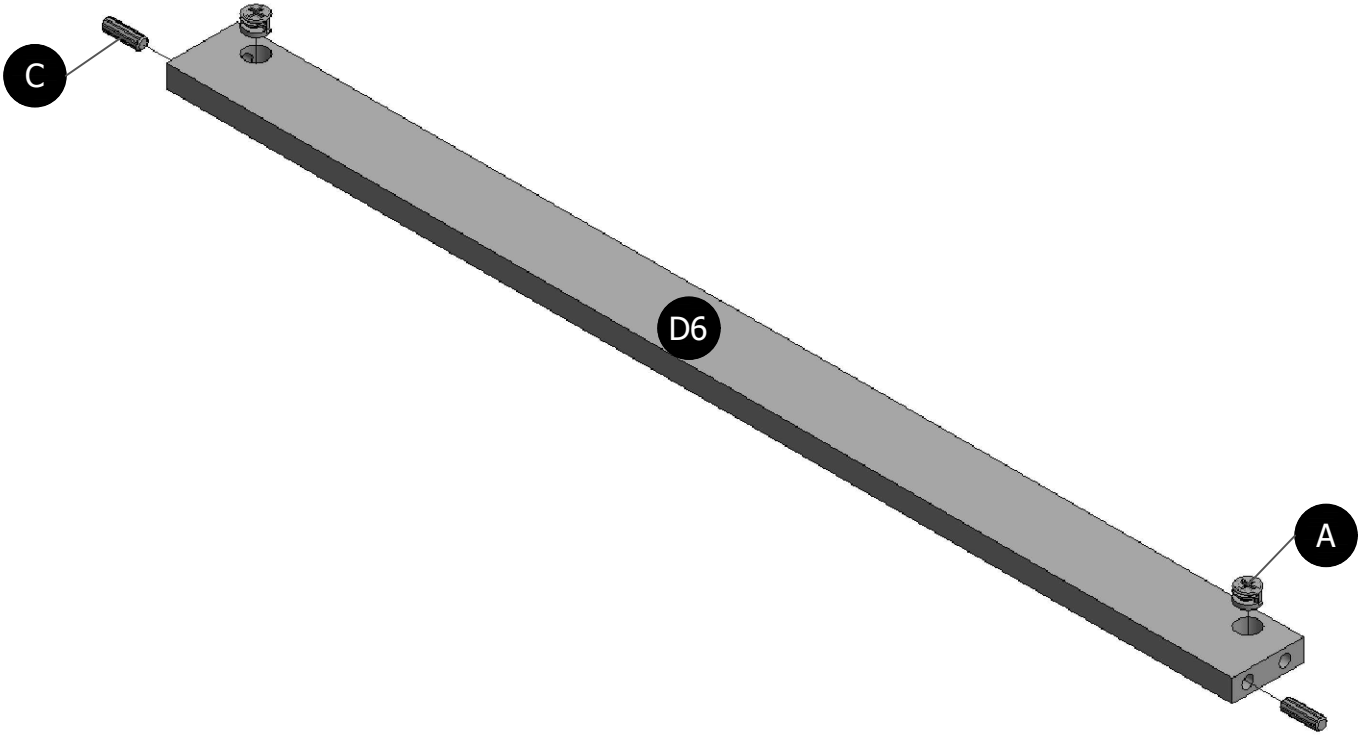


# ASSEMBLY INSTRUCTION

## STEP 6

NOTE : - Make sure arrows on each (A) point towards nearest edge with hole.

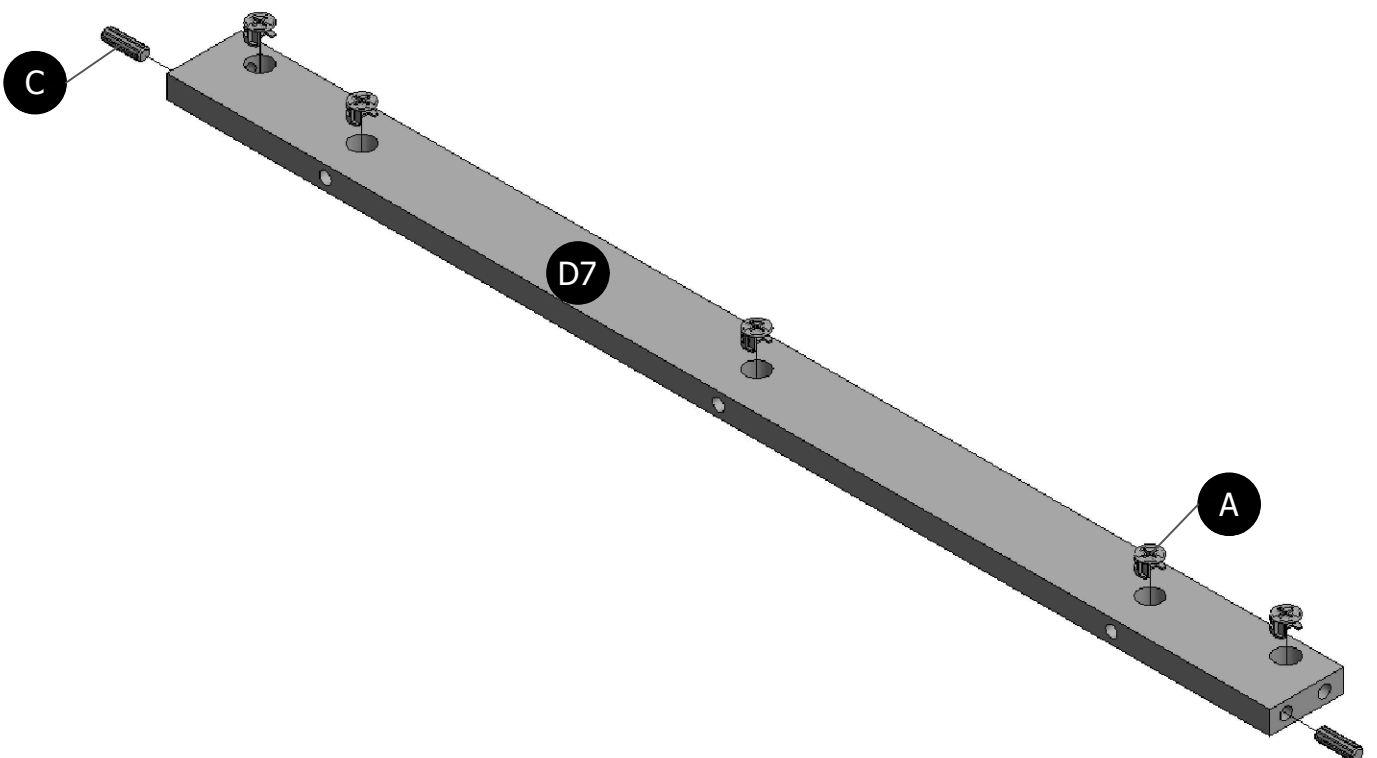
**x 4**



## STEP 7

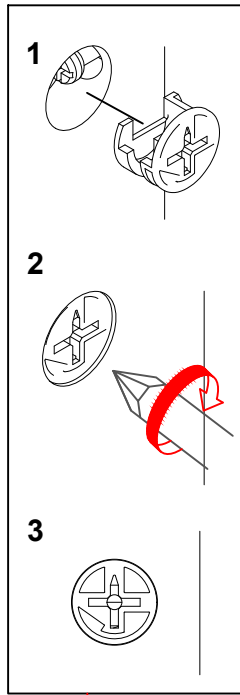
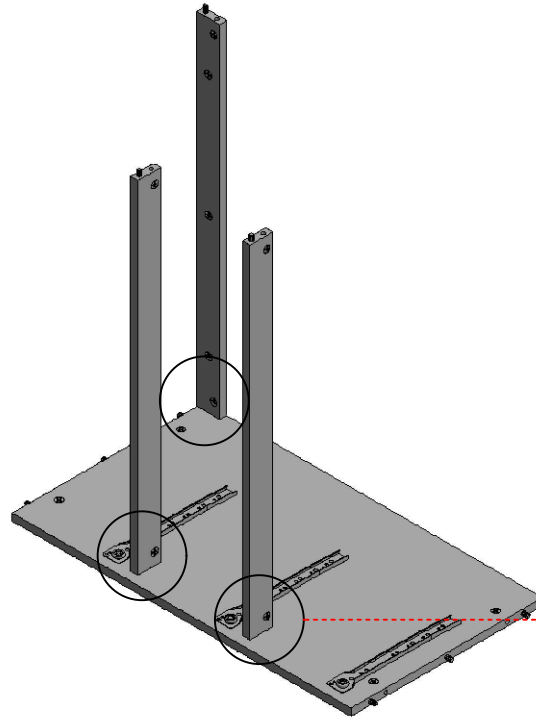
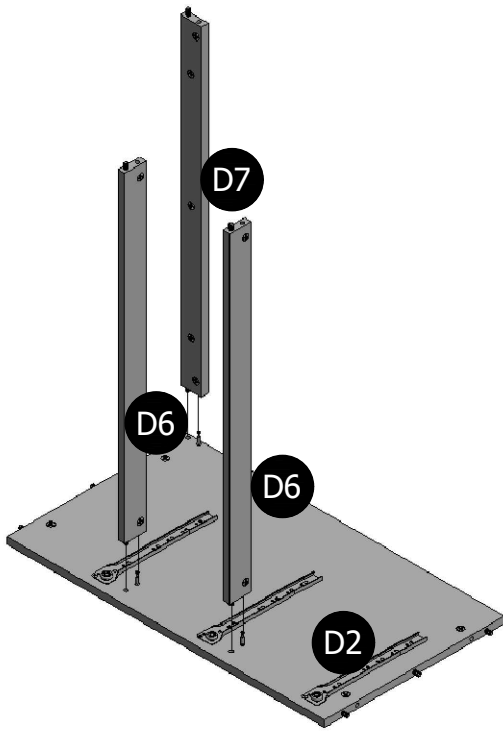
NOTE : - Make sure arrows on each (A) point towards nearest edge with hole.

**x 2**



# ASSEMBLY INSTRUCTION

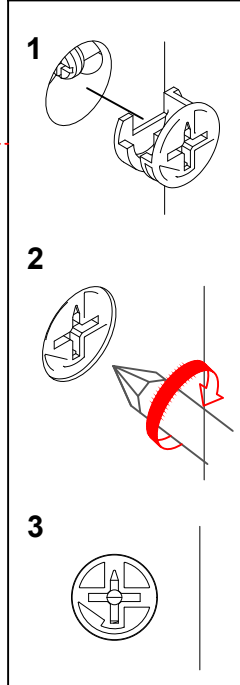
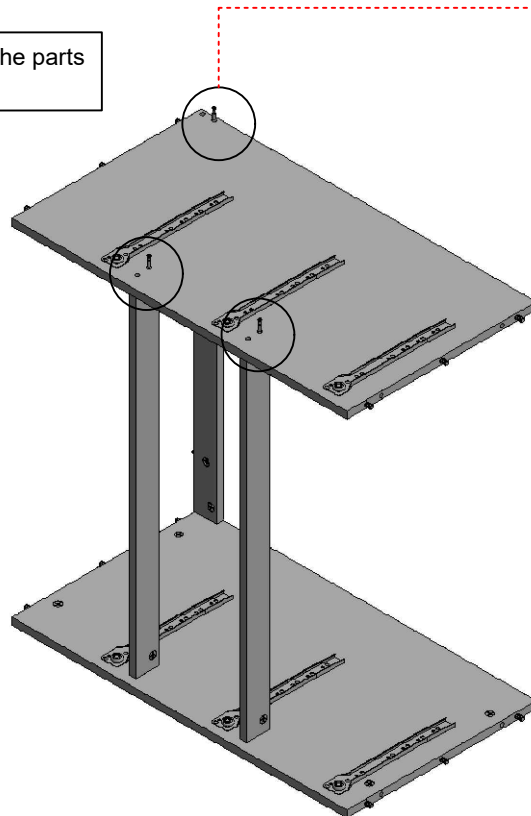
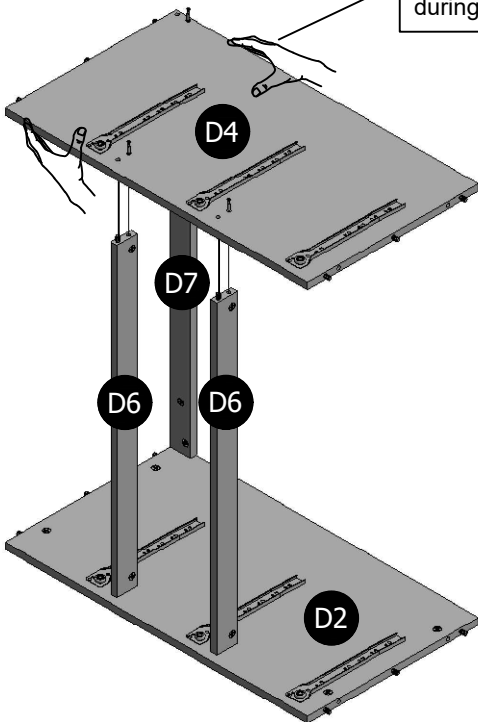
## STEP 8



## STEP 9

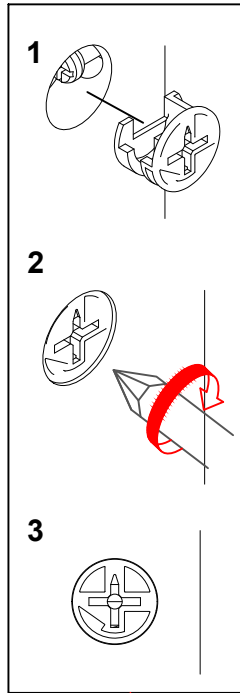
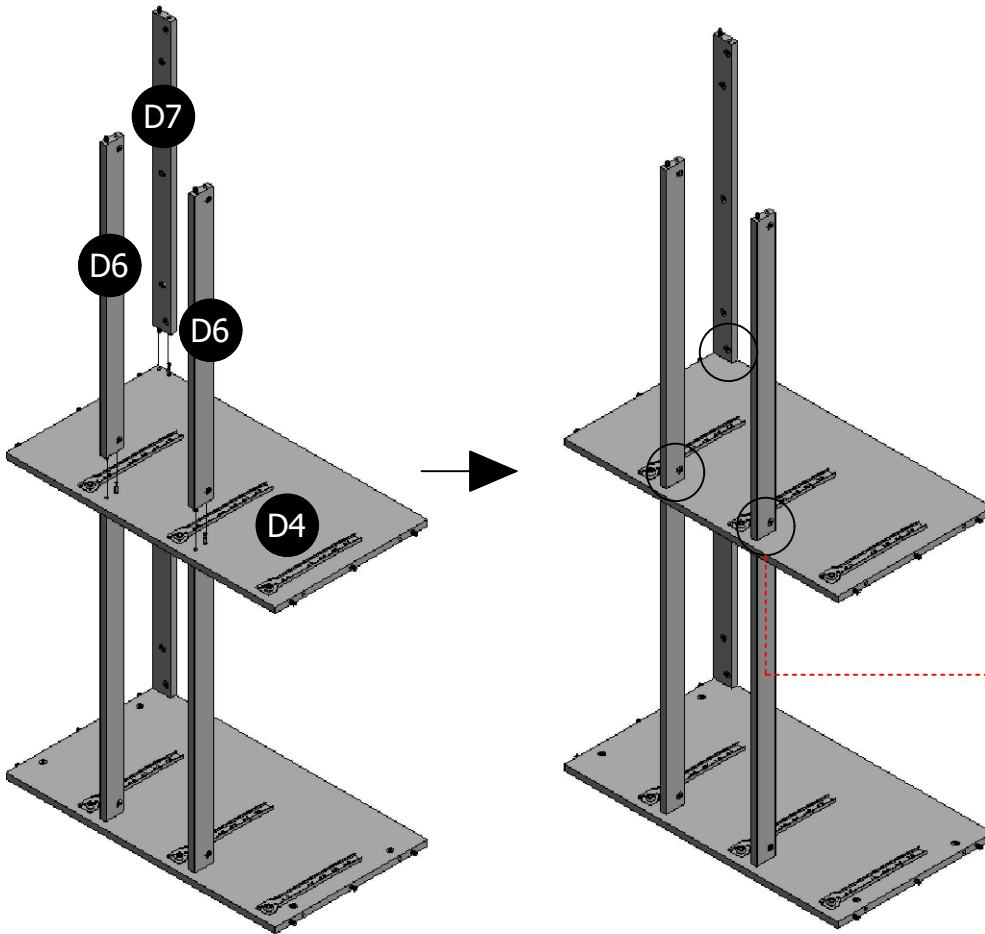
**IMPORTANT:** - When assembly D4, do NOT apply force or move D7 and D6. Hold then in position until D4 is fully inserted and secured.

Reminder :- Holding the parts during assembly.



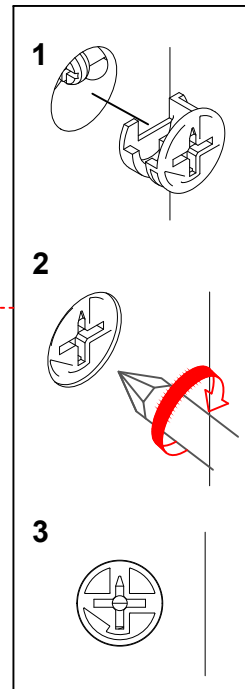
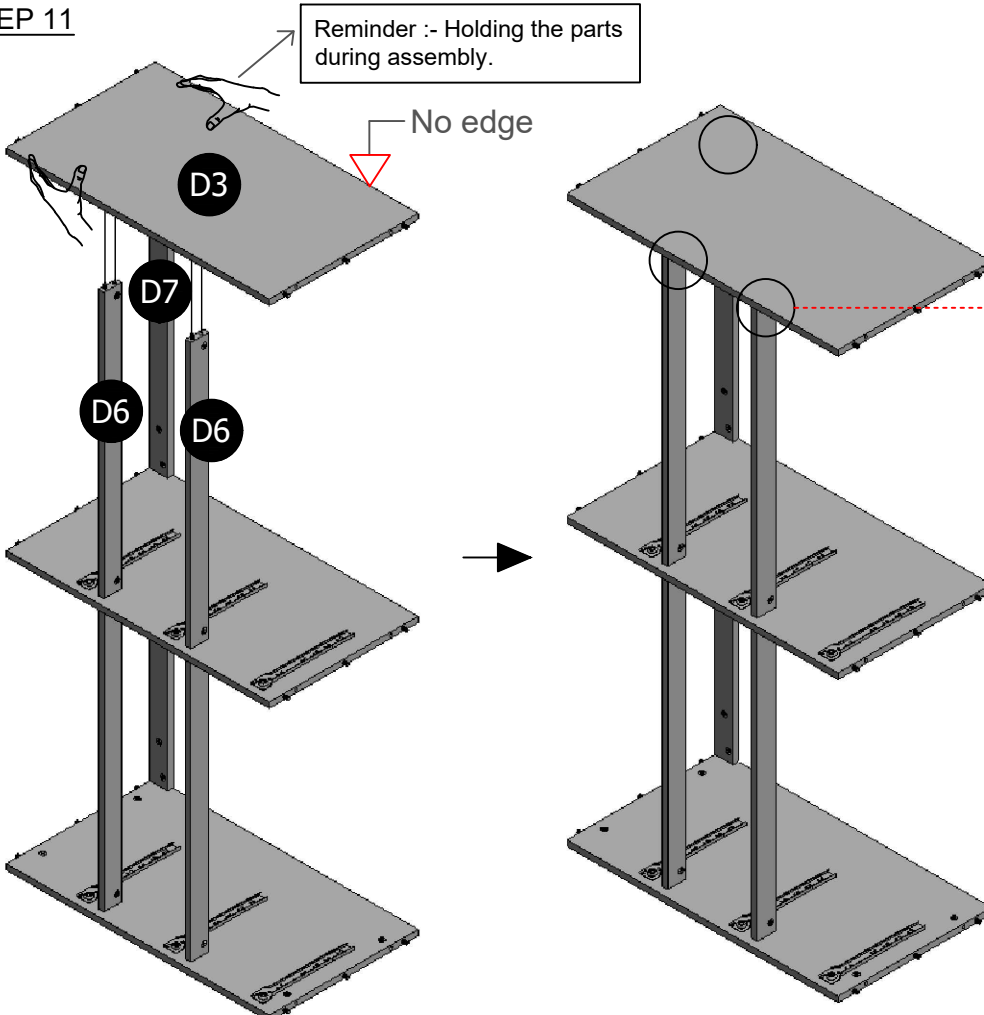
# ASSEMBLY INSTRUCTION

## STEP 10



Important :- When assembly D6 and D7 in step10, do NOT force or move D4. Hold them in position until D6 and D7 are secured.

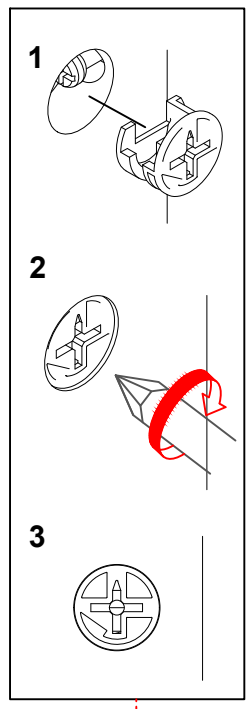
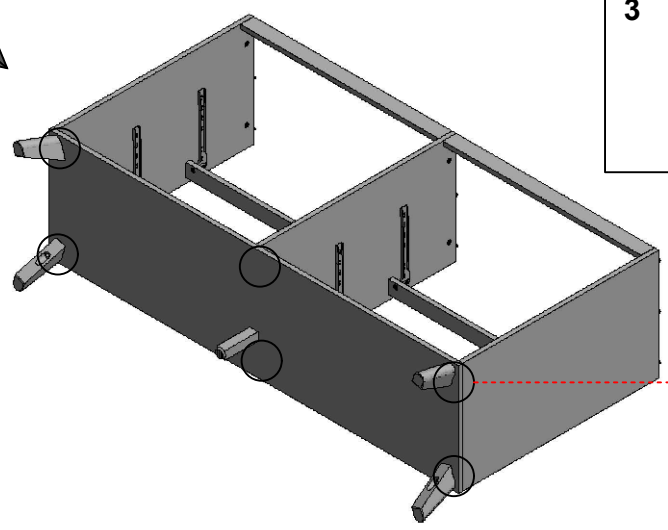
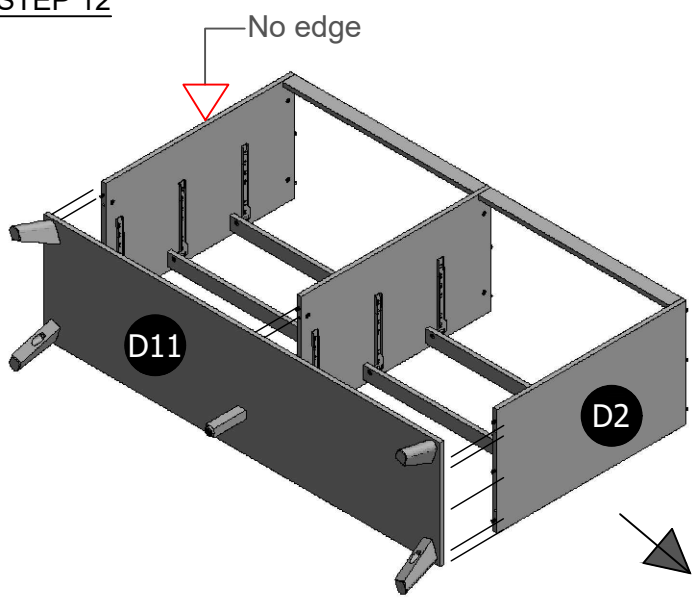
## STEP 11



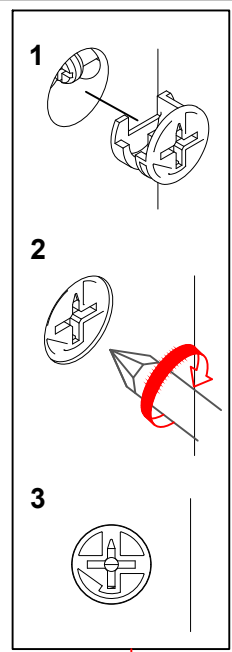
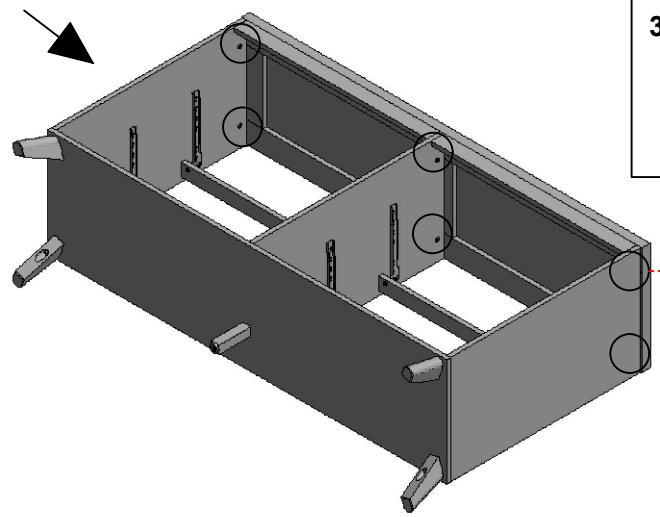
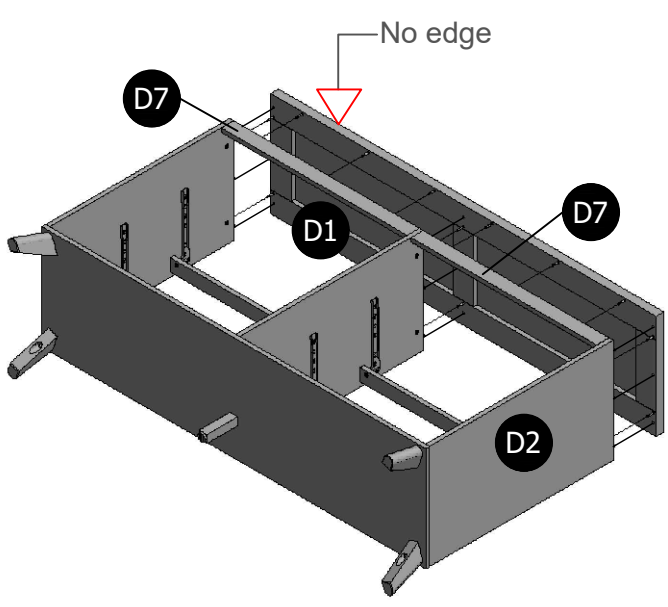
Important :- when installing D3, do NOT force or move D6 and D7. Keep both parts aligned until D3 is fully secured.

# ASSEMBLY INSTRUCTION

## STEP 12



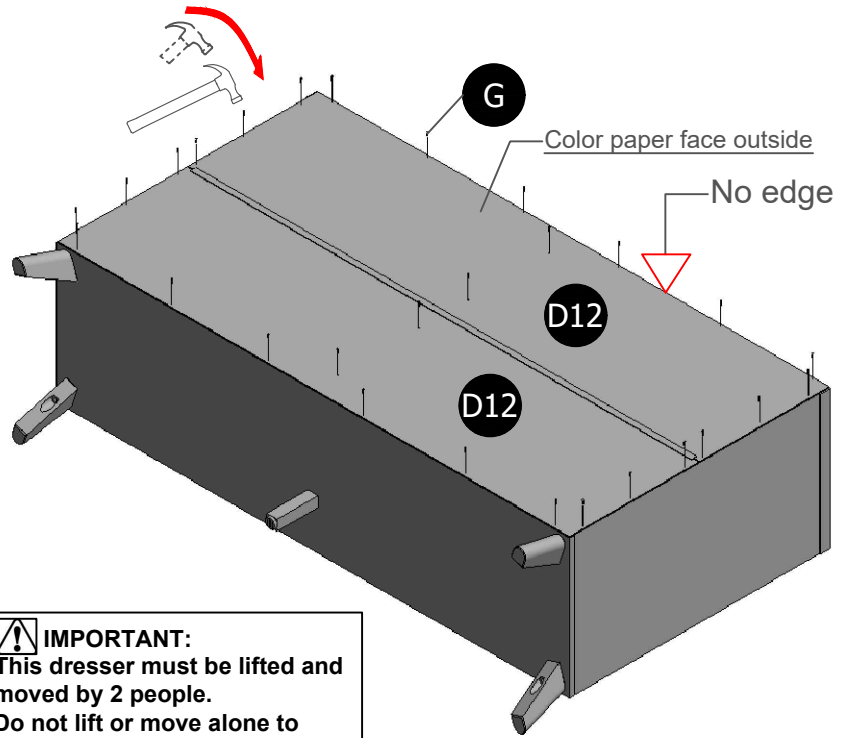
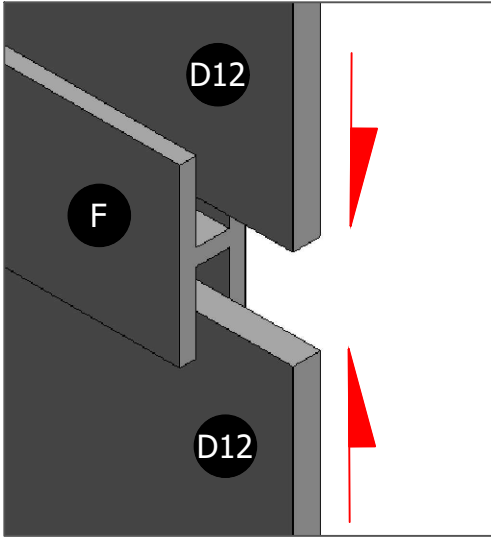
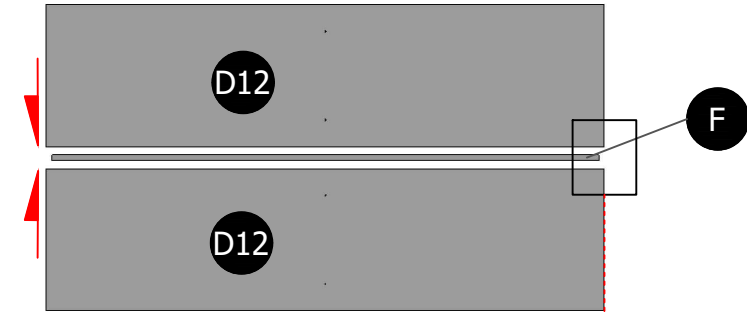
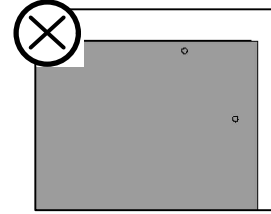
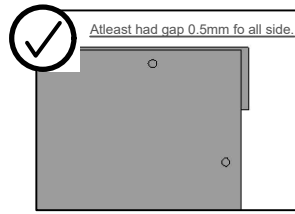
## STEP 13



# ASSEMBLY INSTRUCTION

## STEP 14

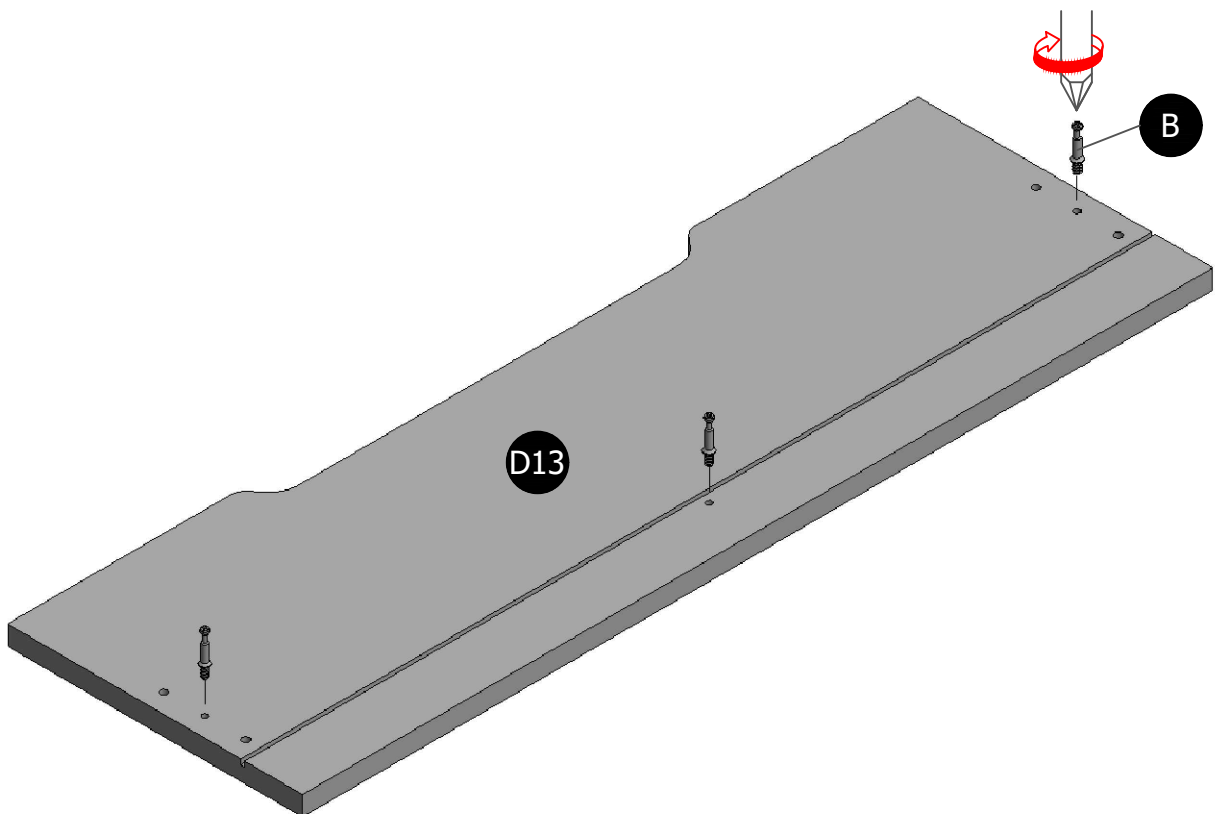
Side with color paper must be the same.



**IMPORTANT:**  
This dresser must be lifted and moved by 2 people.  
Do not lift or move alone to avoid injury or product damage.

## STEP 15

**x 6**

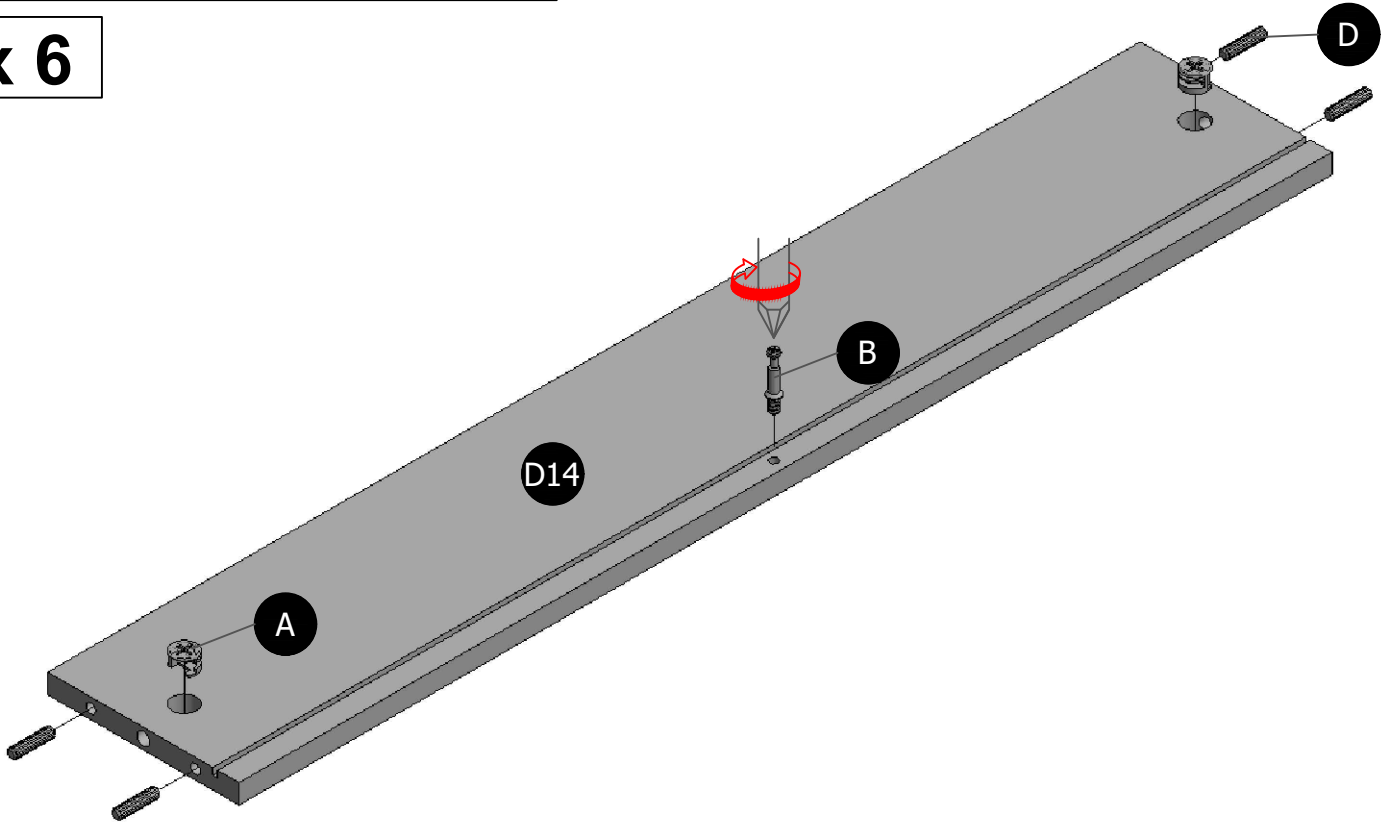


# ASSEMBLY INSTRUCTION

## STEP 16

NOTE : - Make sure arrows on each (A) point towards nearest edge with hole.

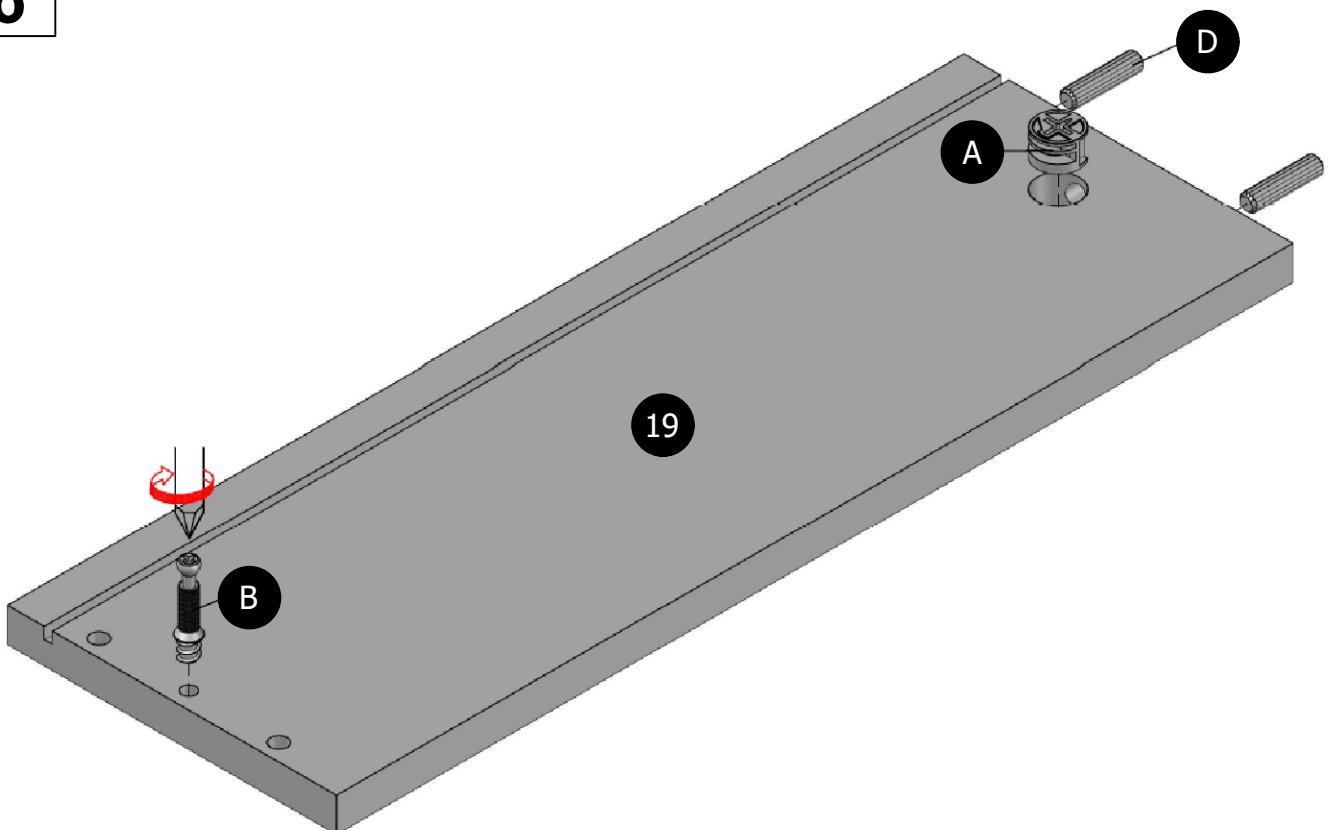
**x 6**



## STEP 17

NOTE : - Make sure arrows on each (A) point towards nearest edge with hole.

**x 6**

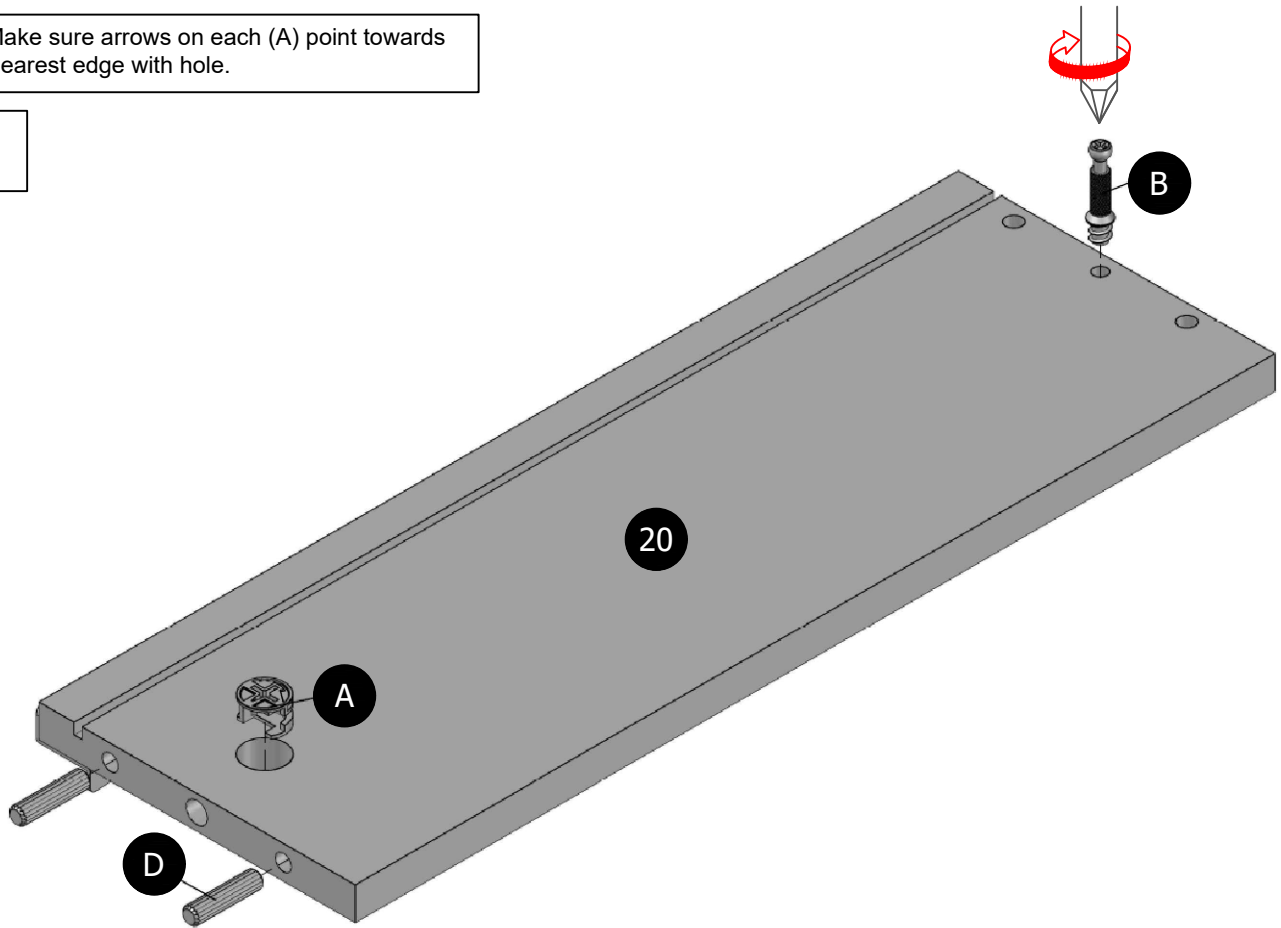


# ASSEMBLY INSTRUCTION

## STEP 18

NOTE : - Make sure arrows on each (A) point towards nearest edge with hole.

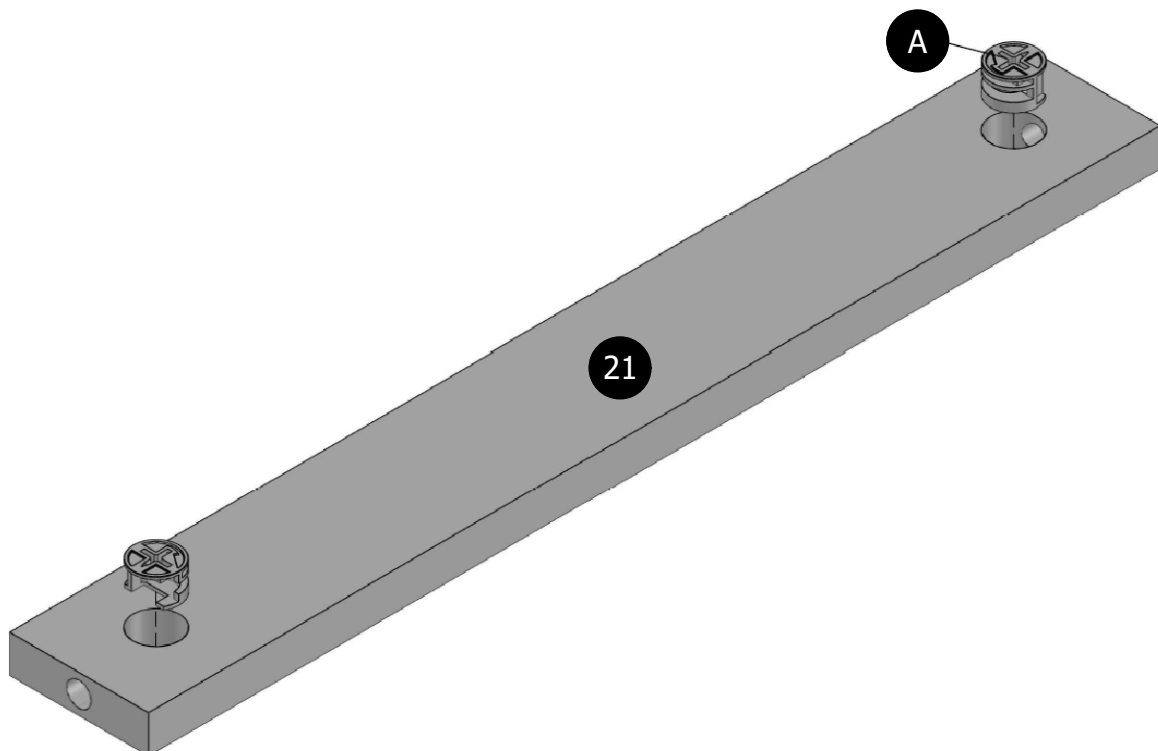
**x 6**



## STEP 19

NOTE : - Make sure arrows on each (A) point towards nearest edge with hole.

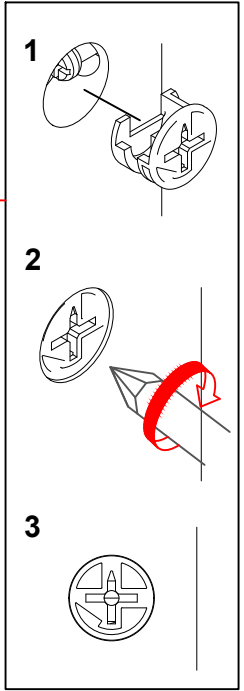
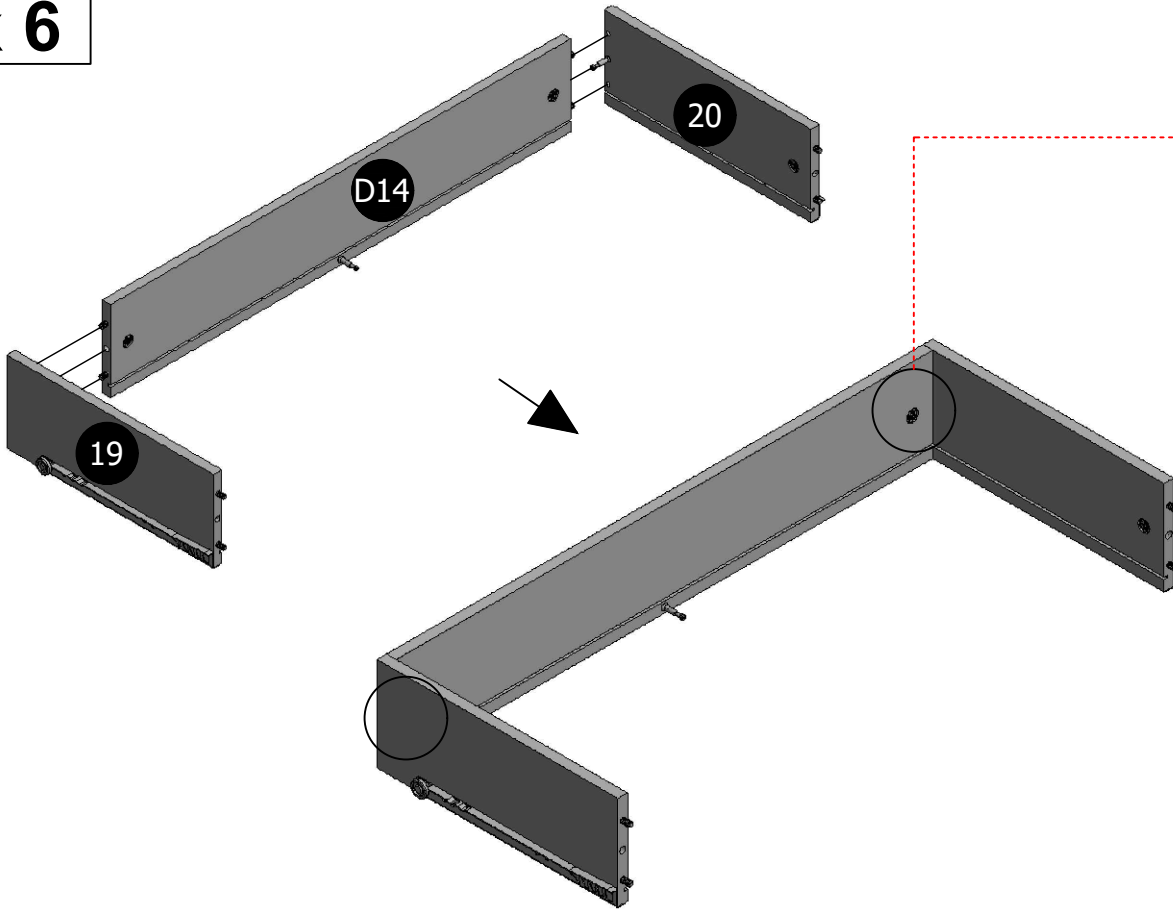
**x 6**



# ASSEMBLY INSTRUCTION

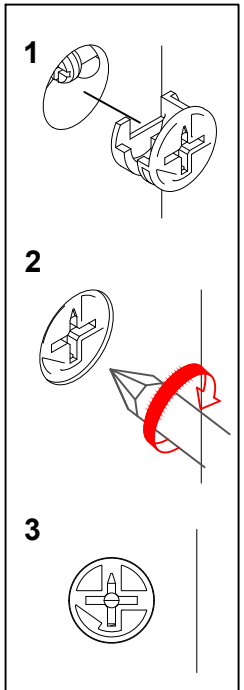
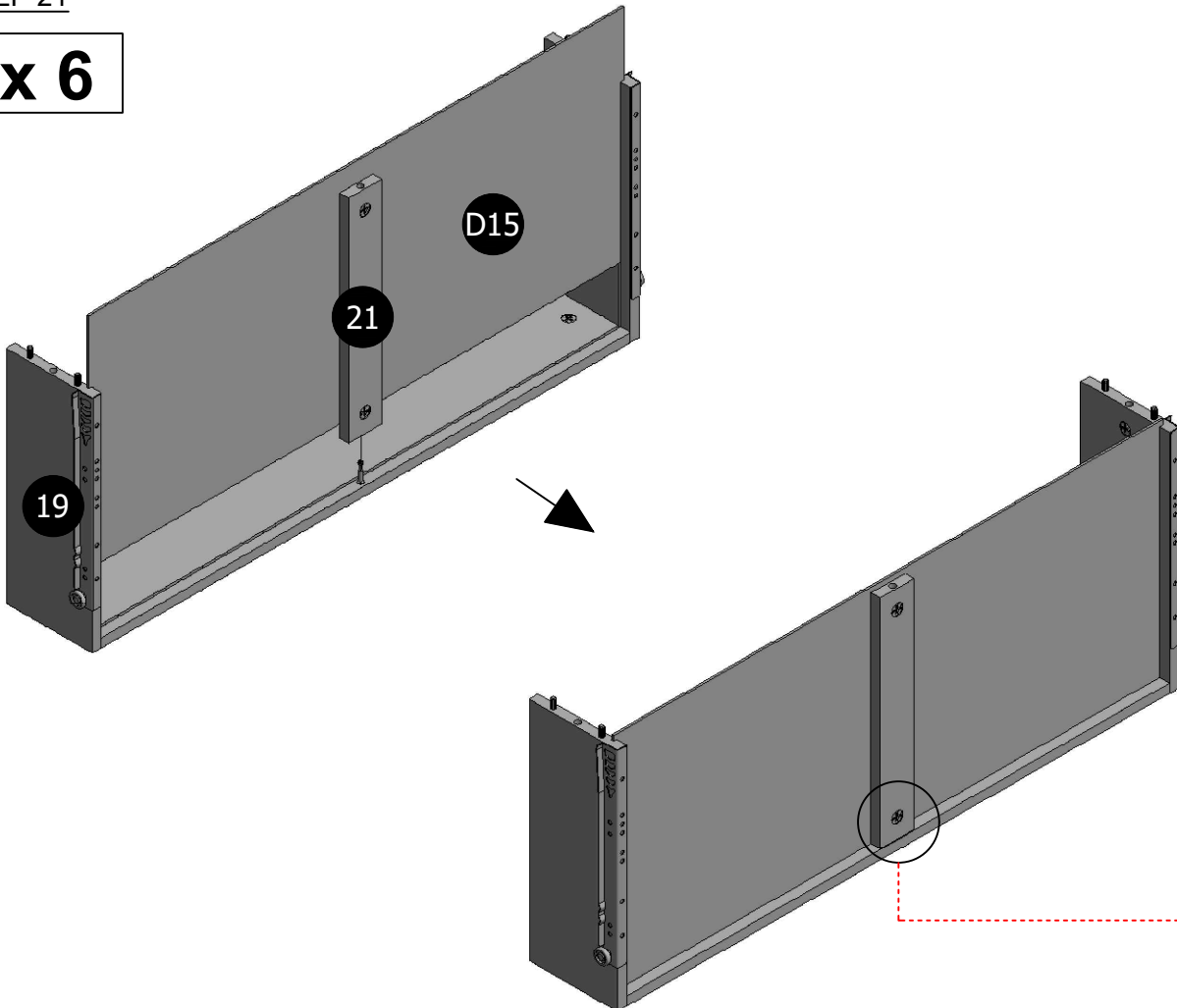
## STEP 20

**x 6**



## STEP 21

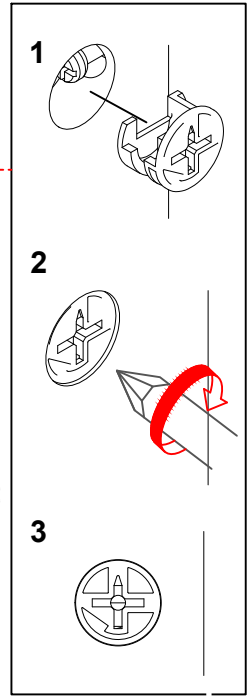
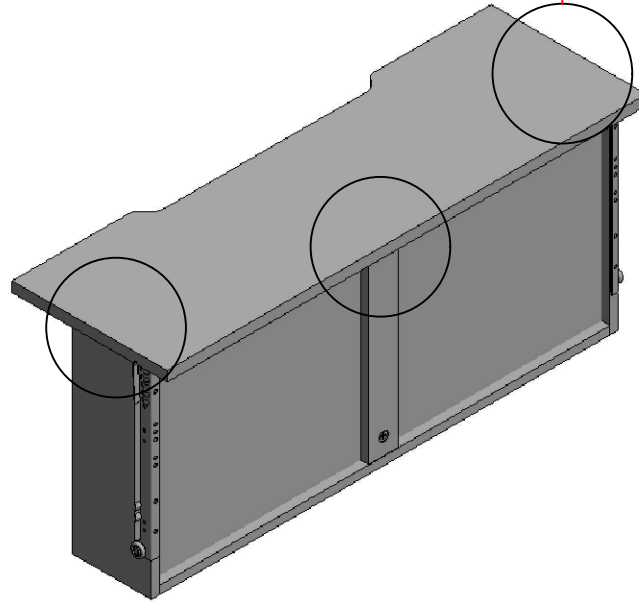
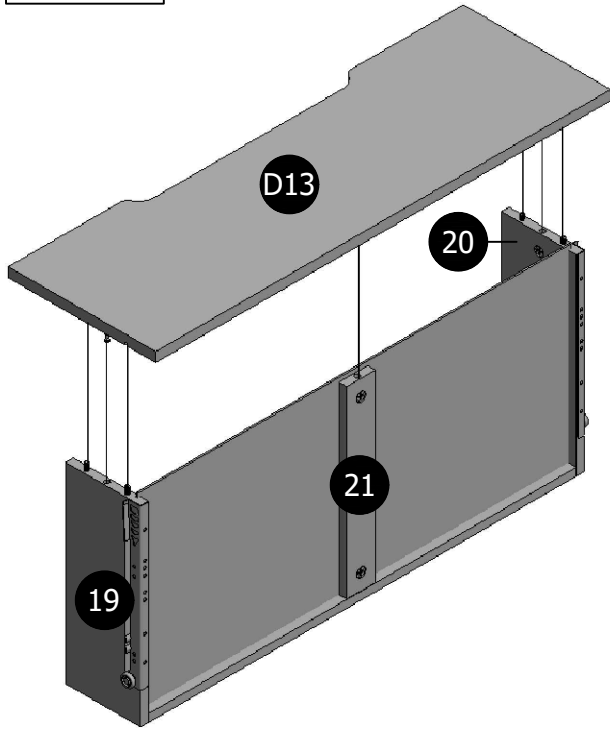
**x 6**



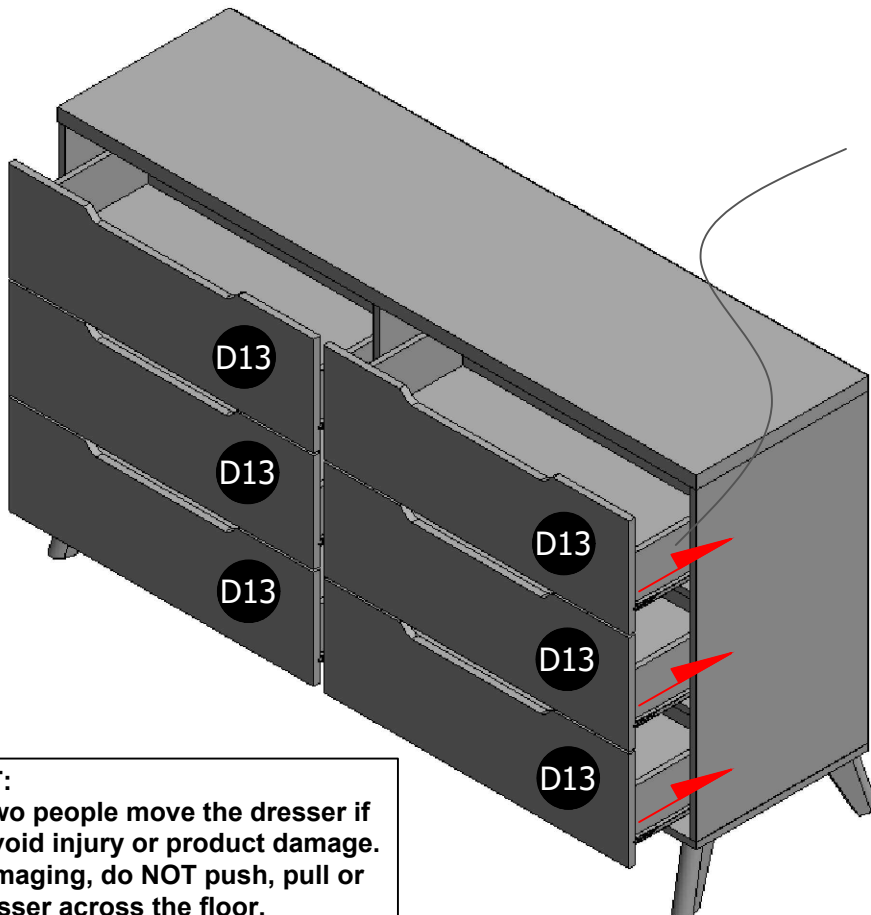
# ASSEMBLY INSTRUCTION

## STEP 22

**x 6**



## STEP 23



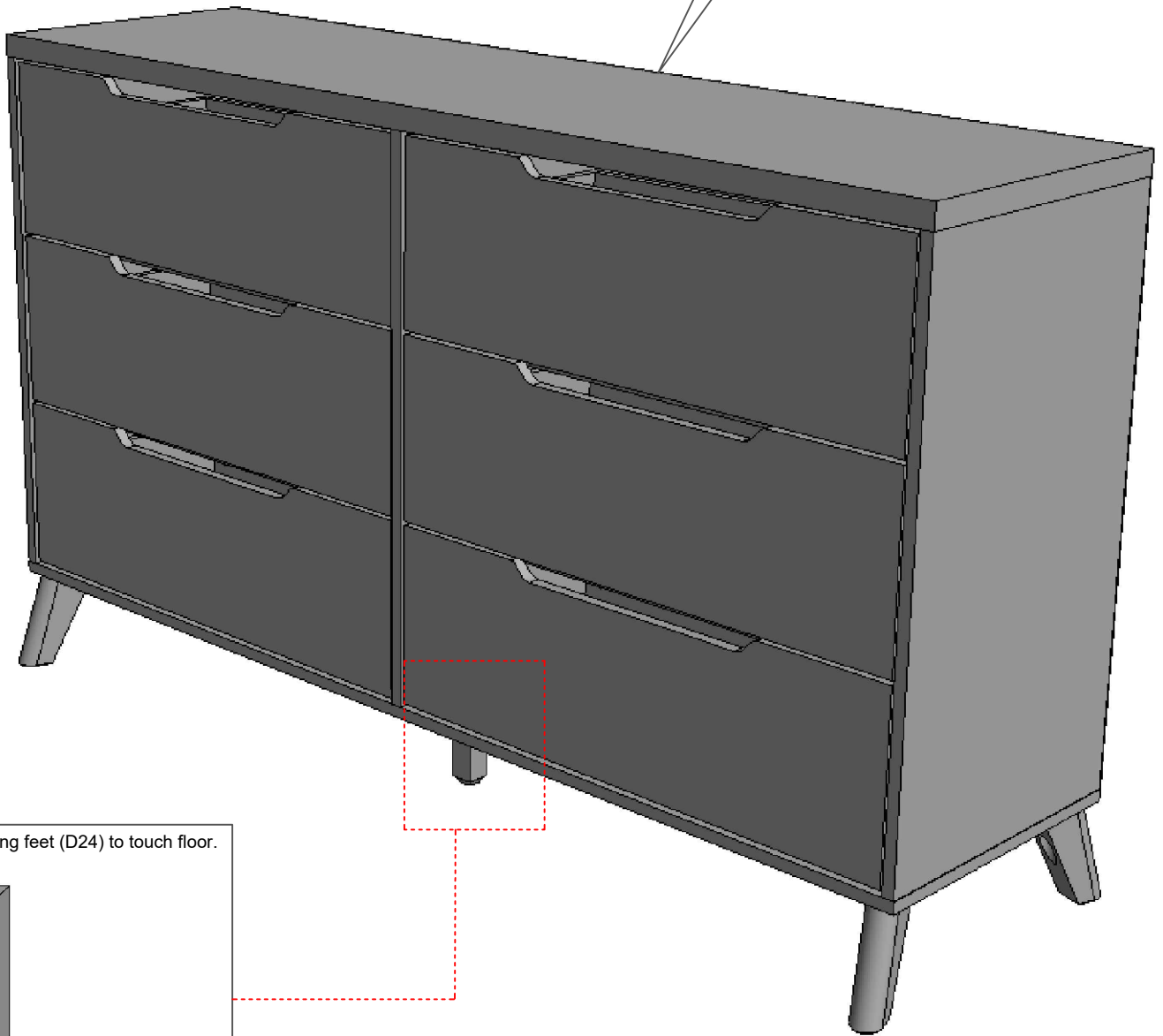
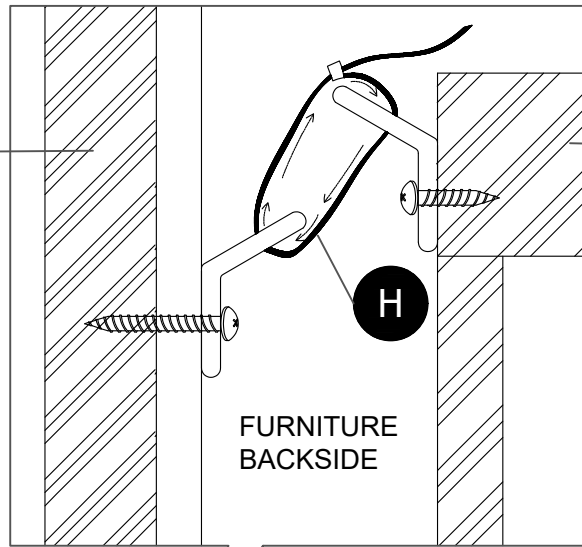
**IMPORTANT:**  
Make sure two people move the dresser if needed to avoid injury or product damage. To avoid damaging, do NOT push, pull or drag the dresser across the floor.

# ASSEMBLY INSTRUCTION

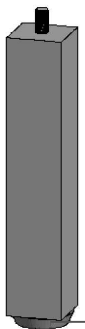
## STEP 24

WALLBOARD AND STUD

FURNITURE TOP



Adjust leveling feet (D24) to touch floor.



ADJUSTER  
SCREW

**ASSEMBLY COMPLETED**