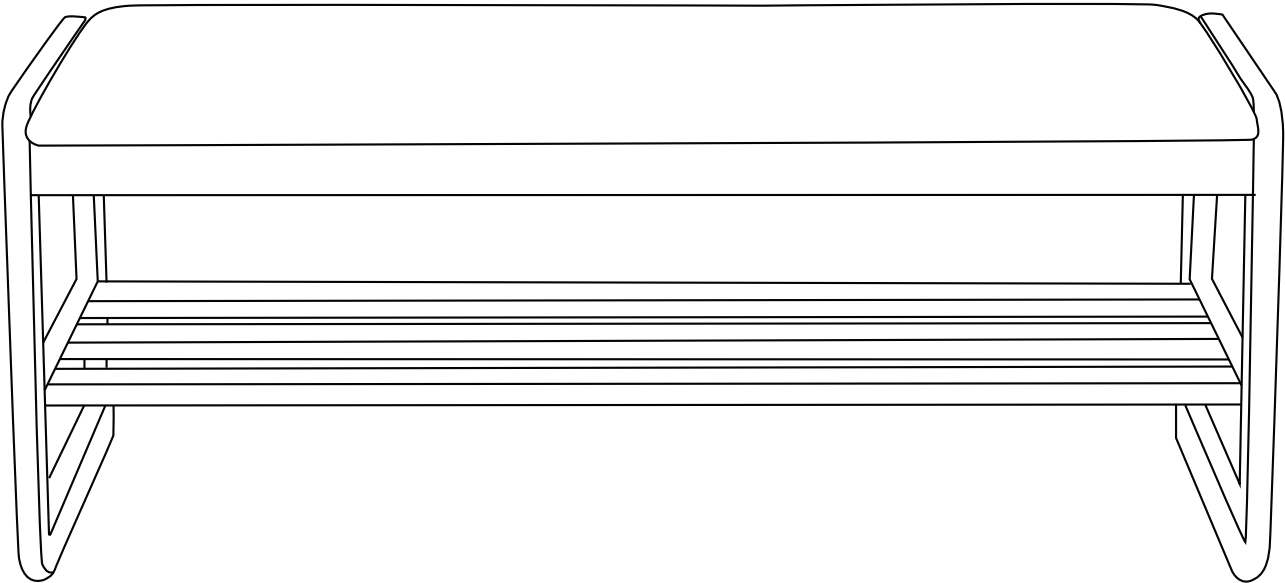
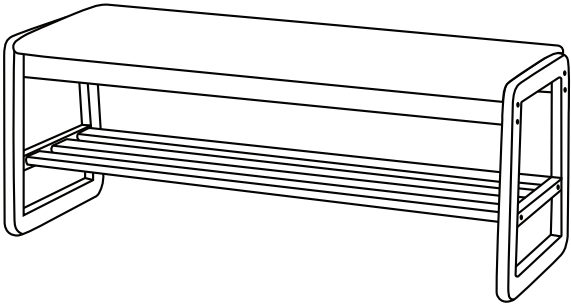
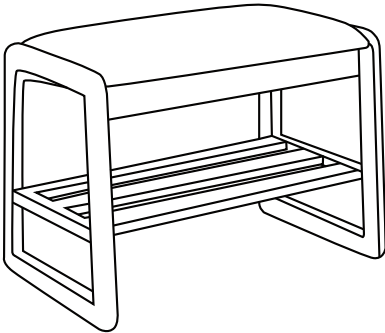
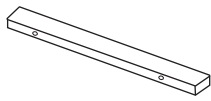


# Installation & Assembly



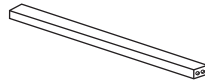
For ease and safety, we recommend two people for assembly.



AX2



BX2



CX1



DX2



EX8  
( M8 x 30mm )



FX4  
( M3.5 x 30mm )



GX12  
( M7 x 50mm )



LX1

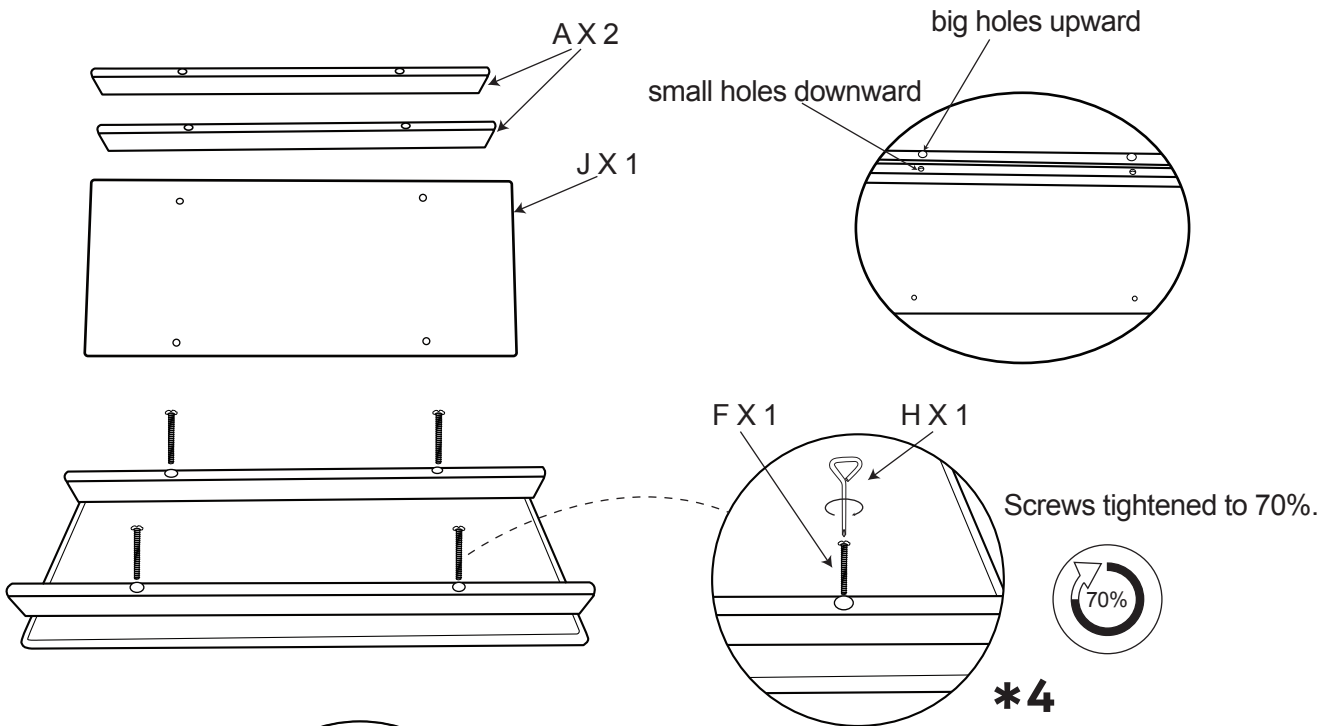


HX1

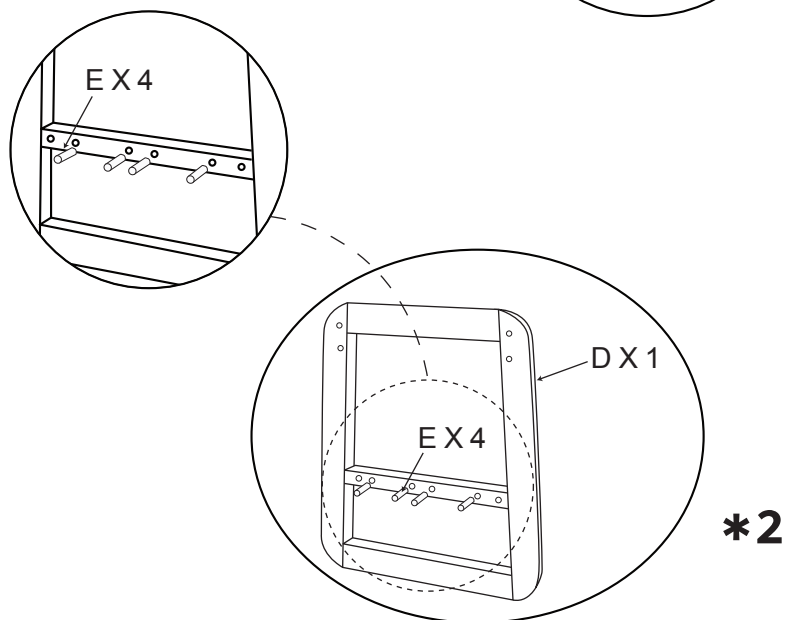


JX1

(1)

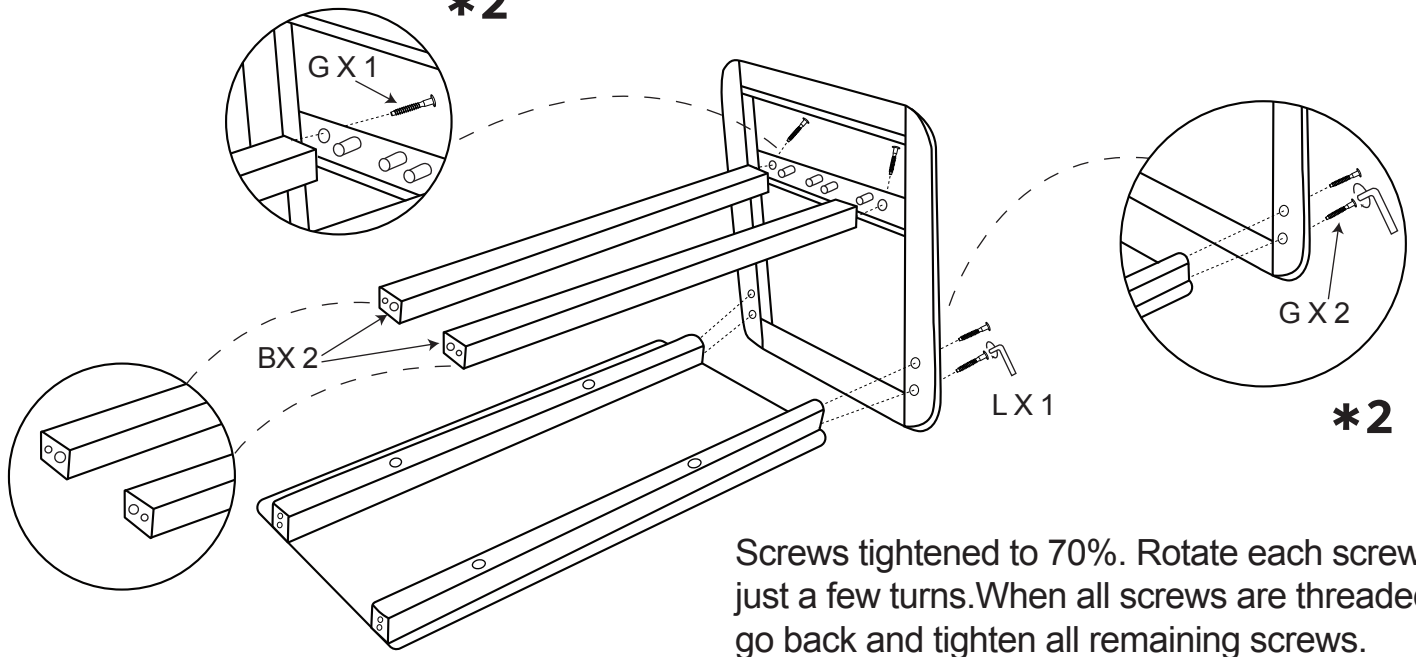


(2)

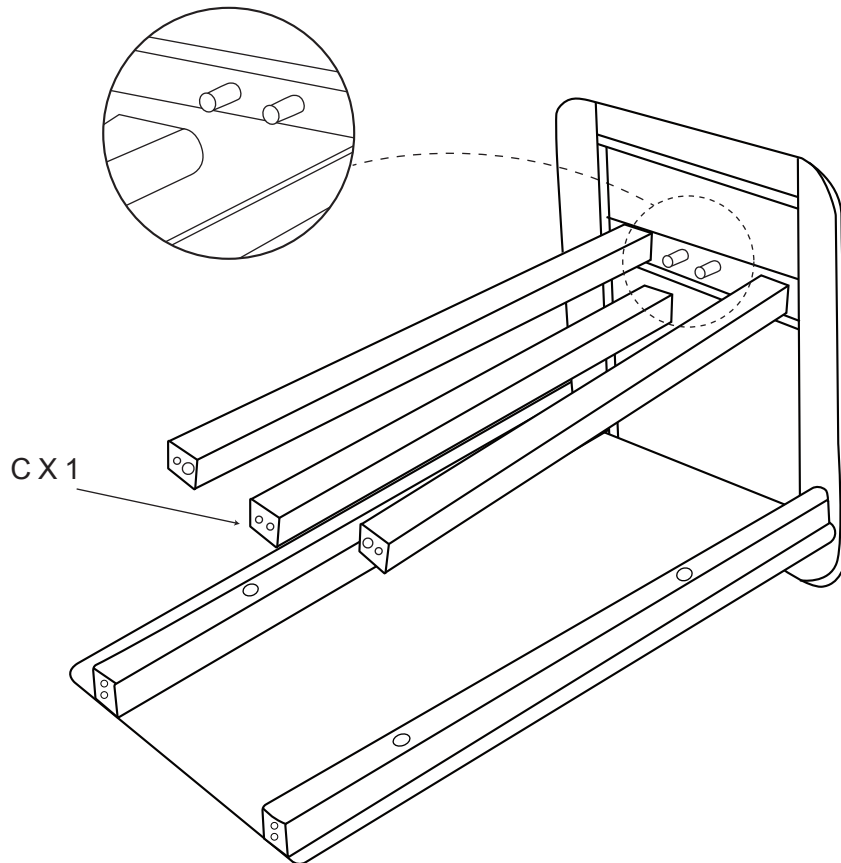


(3)

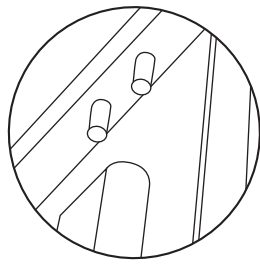
**\*2**



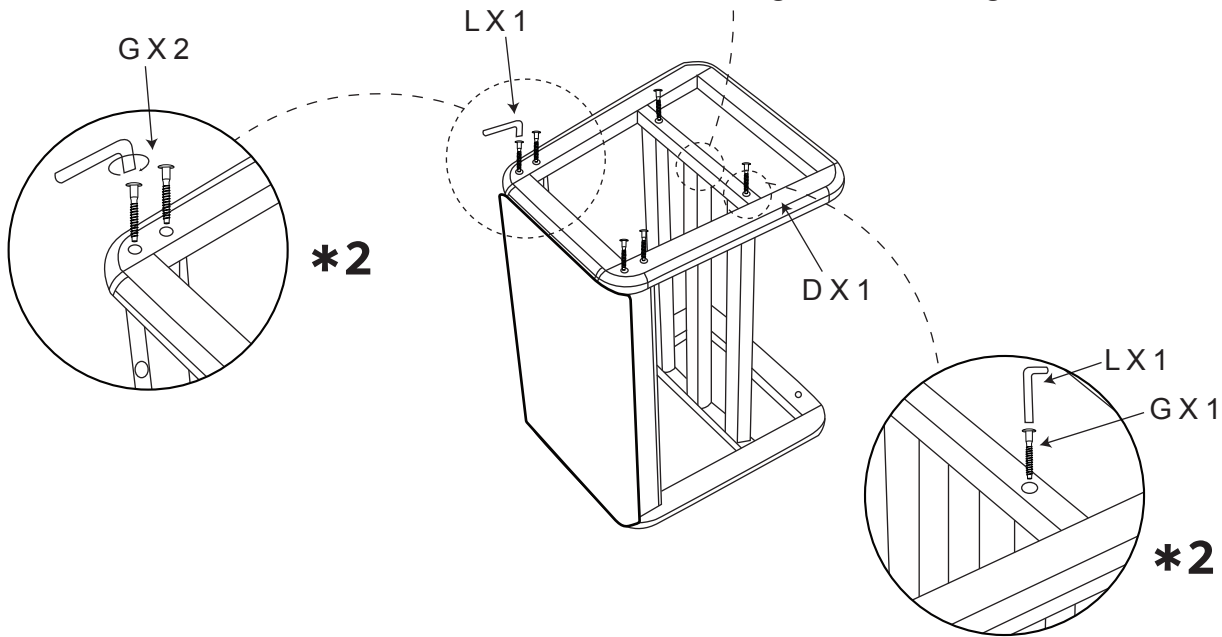
(4)



(5)



Screws tightened to 70%. Rotate each screw just a few turns. When all screws are threaded, go back and tighten all remaining screws.



(6) Tighten all the screws completely up to 100%.

