

# **Installation Manual of Bed**

**Full & Queen Size**

## **Dear Valued Customer:**

Thank you for choosing our brand and purchasing our bed frame!

We are thrilled to have earned your trust and we want to ensure that you are completely satisfied with your purchase. To help you get the most out of your new bed frame, we would like to share some useful tips on cleaning and maintenance.

When cleaning your bed frame, we recommend using a soft, slightly moist cloth. Avoid using corrosive detergents, wire brushes, abrasive scourers, or any sharp metal objects as they may damage the product.

Additionally, we recommend checking the components of the bed frame regularly to ensure that all screws are tightened and the frame remains stable.

Installing the bed frame is a simple process. Please refer to the detailed instructions in the manual for step-by-step guidance.

Customer satisfaction is our top priority and we are committed to providing you with the best service and high-quality products. If you have any questions or concerns regarding your bed frame, please don't hesitate to contact our customer service team at email. We are here to help you and resolve any issues you may have. To solve your problem faster, please note the following information in the email.

Contact : [AMZ11service@outlook.com](mailto:AMZ11service@outlook.com).

Theme: Beds Service

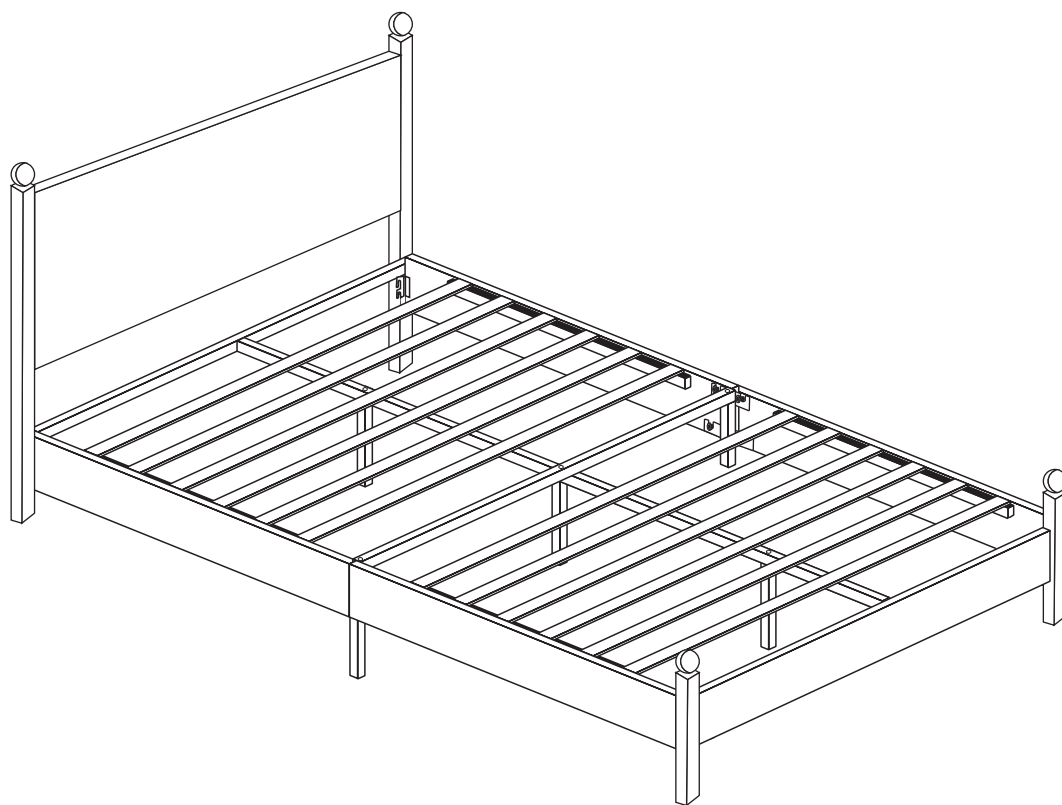
Content: Name-XXX

Order ID Number: xxx-xxxxxxx-xxxxxxx

Once again, we would like to express our gratitude to you for choosing our product. Your trust and support mean the world to us. We look forward to continuing to provide you with the best products and services possible.

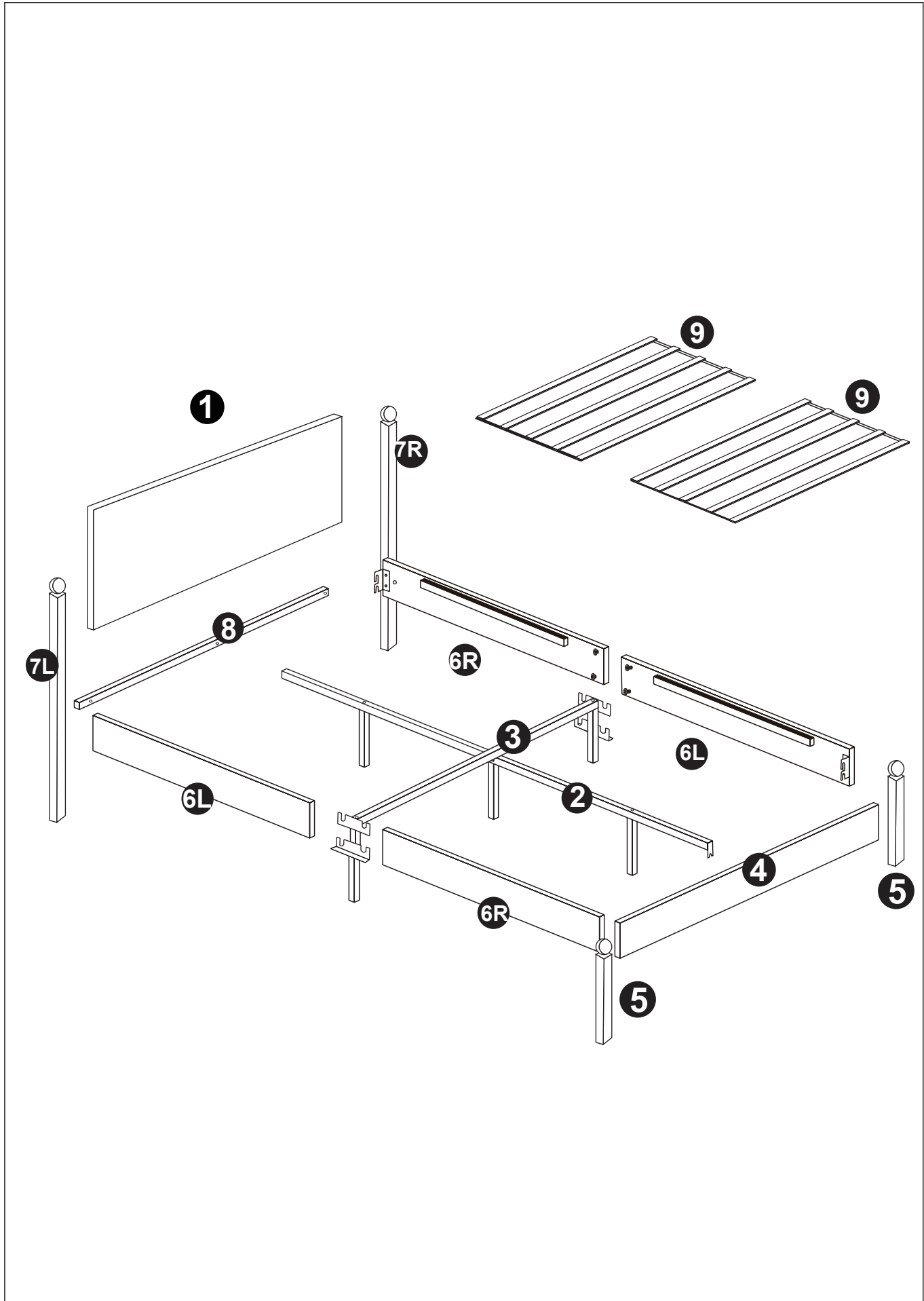
Best Regards,

Customer Service Team

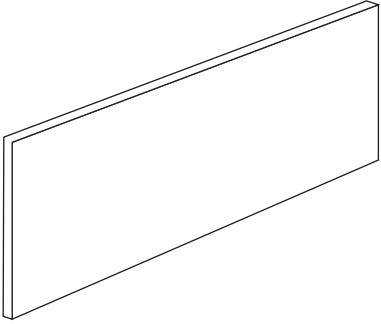
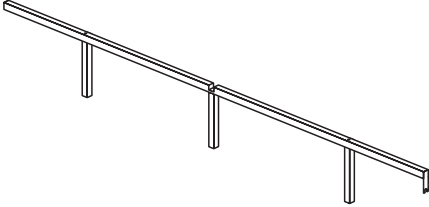
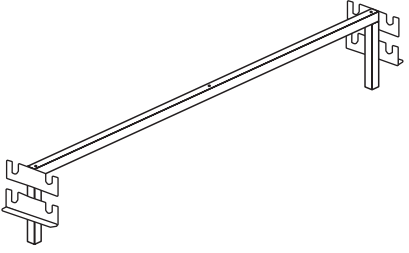
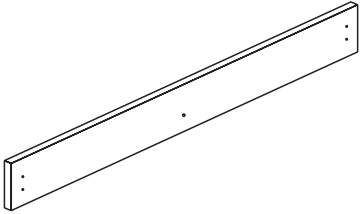
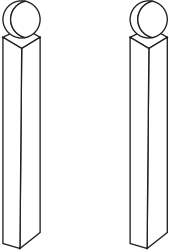
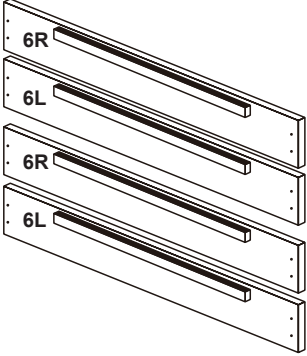
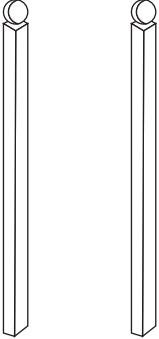
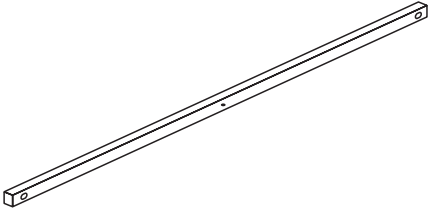
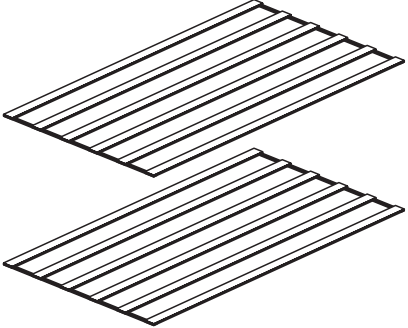


## IMPORTANT NOTE

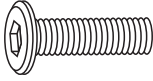
1. Please check that all parts are complete before installation.
2. Please strictly follow the installation steps to install.
3. Please install the bed on a clean and smooth surface to prevent any damage.
4. Please do not use the power tools to assemble the bed.
5. Please periodically check all the fittings and re-tighten as necessary.
6. Please do not use the bed unless all bolts and screw are firmly secured.
7. Please contact us if you need any help, we will reply you in six hours.



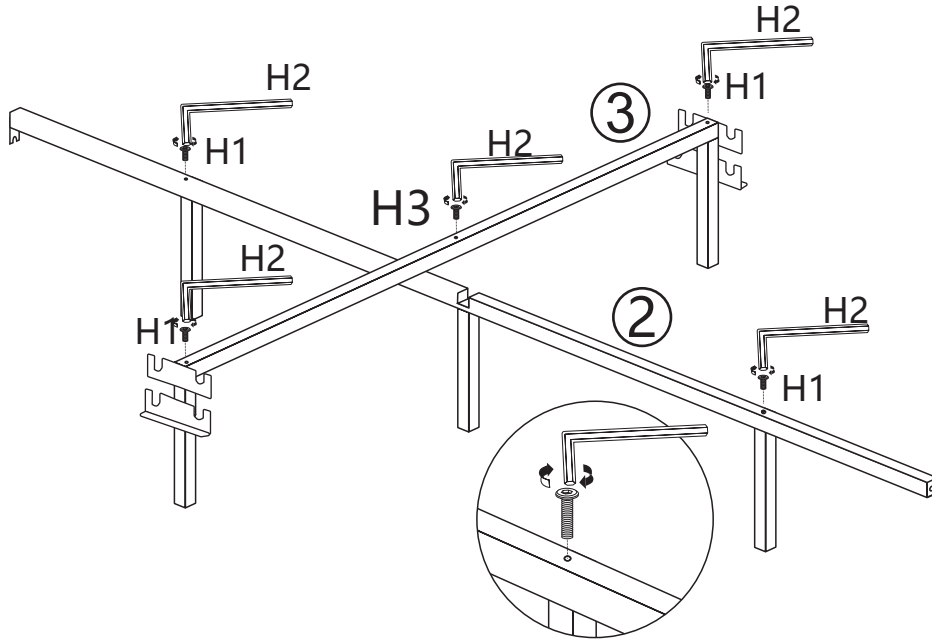
## PART LIST

<p>(1) Headboard panel x 1pcs</p> 	<p>(2) Center support bar x 1pcs</p> 	<p>(3) Transverse center x 1pcs</p> 
<p>(4) Tailboard x 1pcs</p> 	<p>(5) Leg with anti-slip gasket x 2pcs</p> 	<p>(6) Side panel x 4pcs</p> 
<p>(7) Bed stack x 2pcs</p> 	<p>(8) Headstock bar x 1pcs</p> 	<p>(9) Slat x 2pcs</p> 

## PART LIST

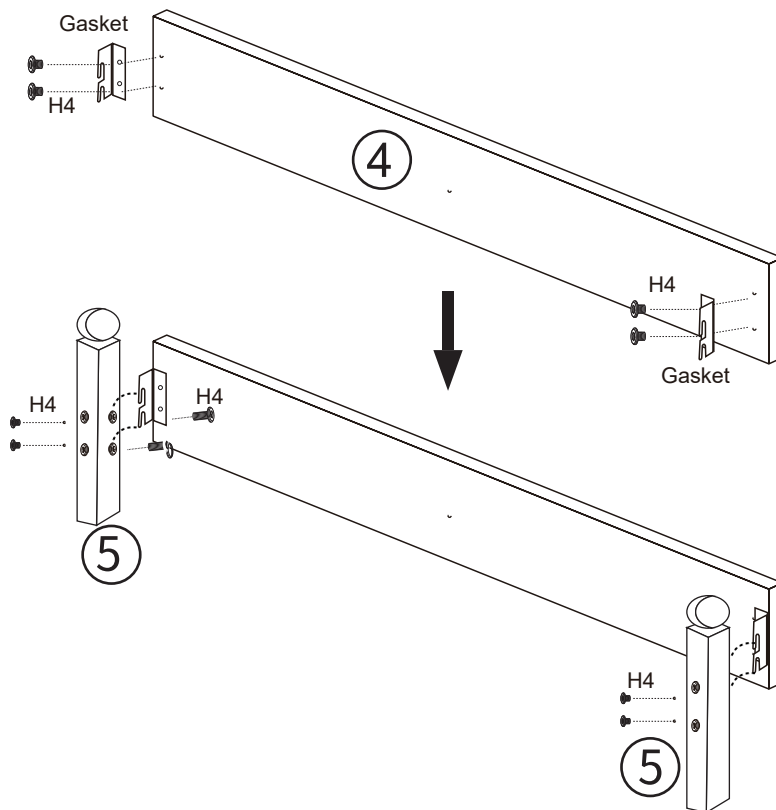
<p>(H1) Bolt M8x40mm x 11pcs          Bolt M8x15mm Spare parts x 2pcs          (H3) Bolt M8x50mm x 1pcs          (H4) Bolt M8x15mm x 35pcs</p> 	<p>(H2) Allen Key M5 x 1pc          (Installation tool)</p> 	<p>Gasket</p> 
--	---	---

Step 1 Align the connection points of component (3) with component (2) as shown in the diagram and securely tighten using screws.



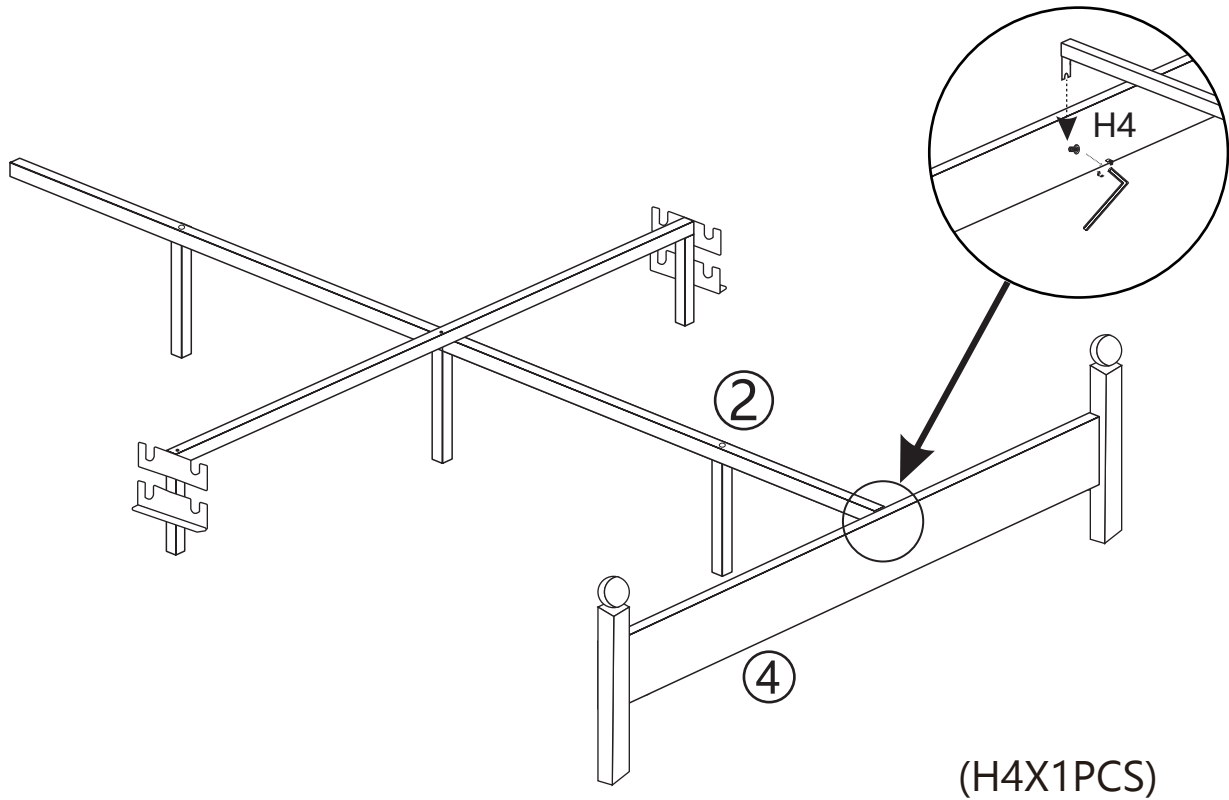
(H1X4PCS/H3X1PCS)

Step 2 First, securely fasten the accessory to component (4) using screws as shown in the diagram. Then, mount component (4) onto the mounting points of component (5) and fully tighten all securing screws.

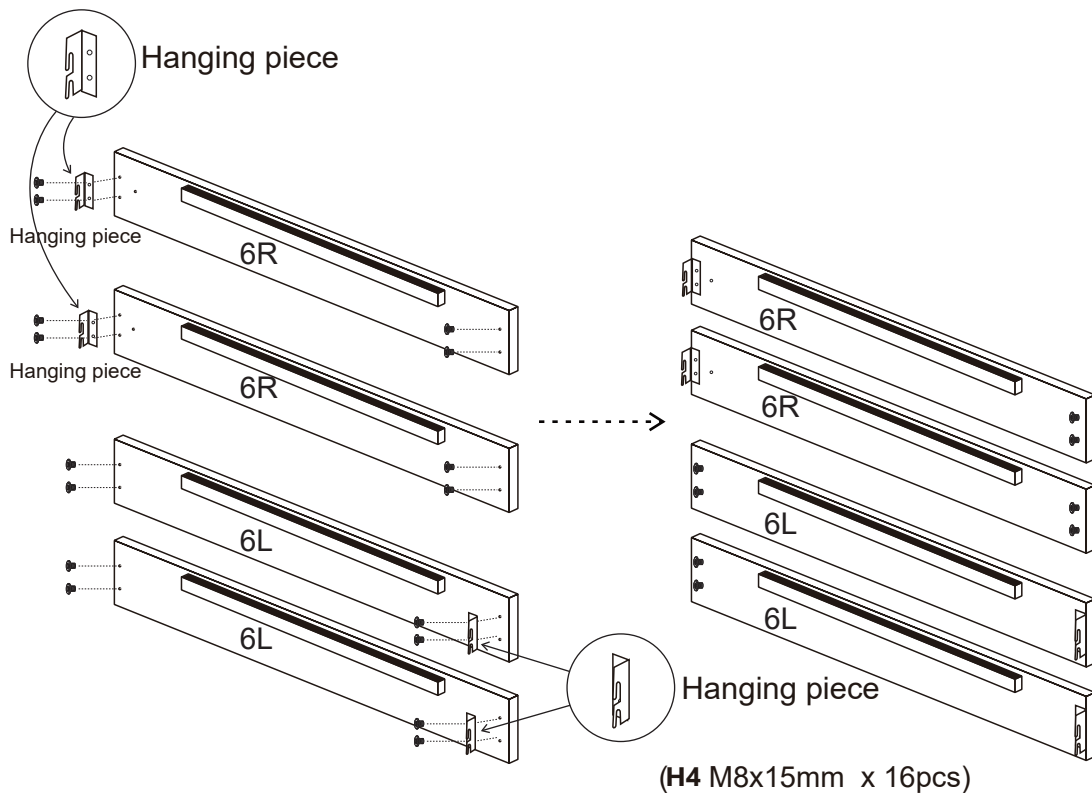


(H4X12PCS)

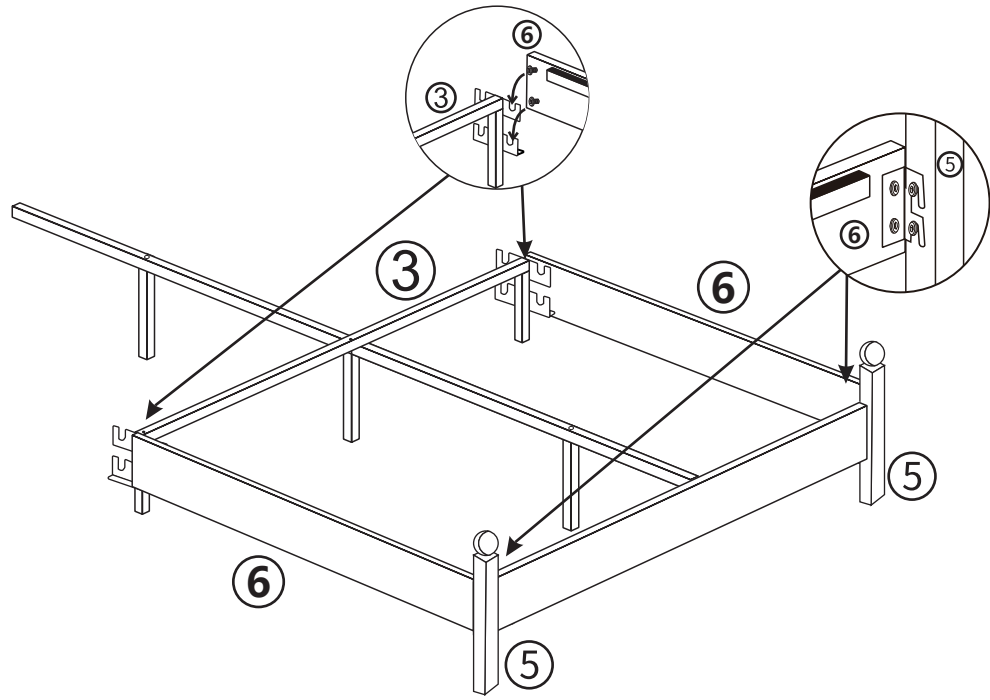
Step3 Align the assembled components from Step 1 and Step 2 as shown in the diagram, ensuring all interfaces fit snugly. Then securely fasten them using screws.



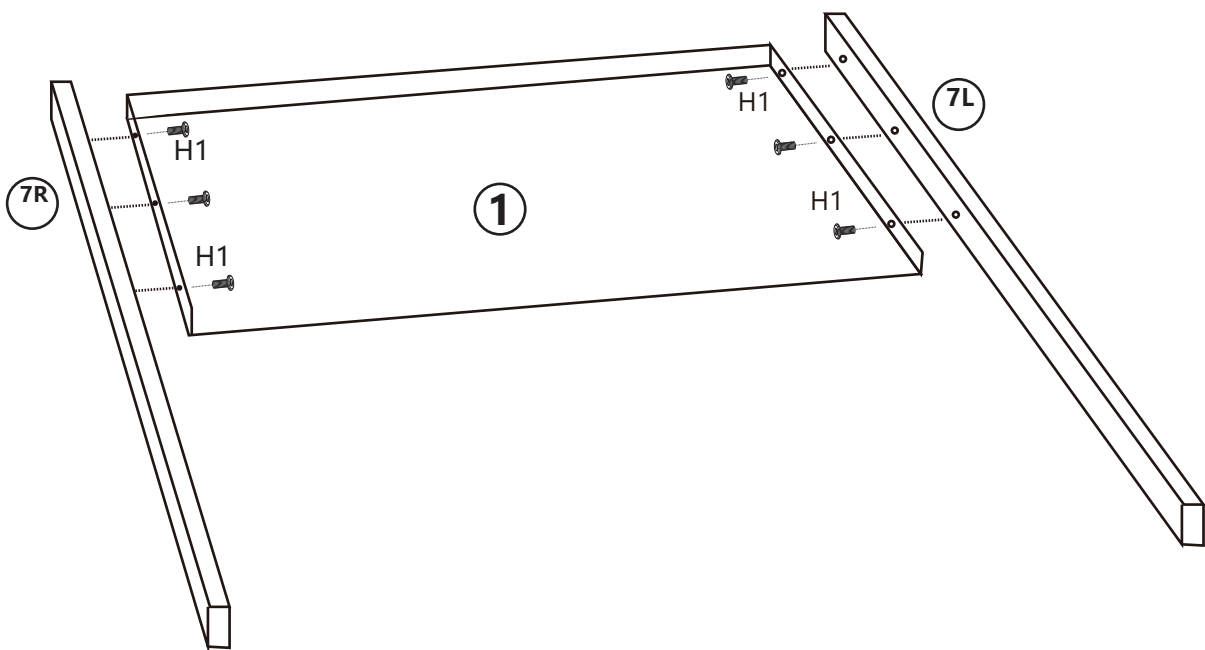
Step 4 The two bed side panels have (Gasket) on the left and screws on the right, and the other two bed side panels have (Gasket) on the right and screws on the left.



Step 5 Place the assembled Step 3 unit flat on the ground. Then, position Side Panel 6 (marked as 6) from Step 4 over the designated area of Step 3 as shown in the diagram, aligning all edges precisely. Securely fasten with screws.

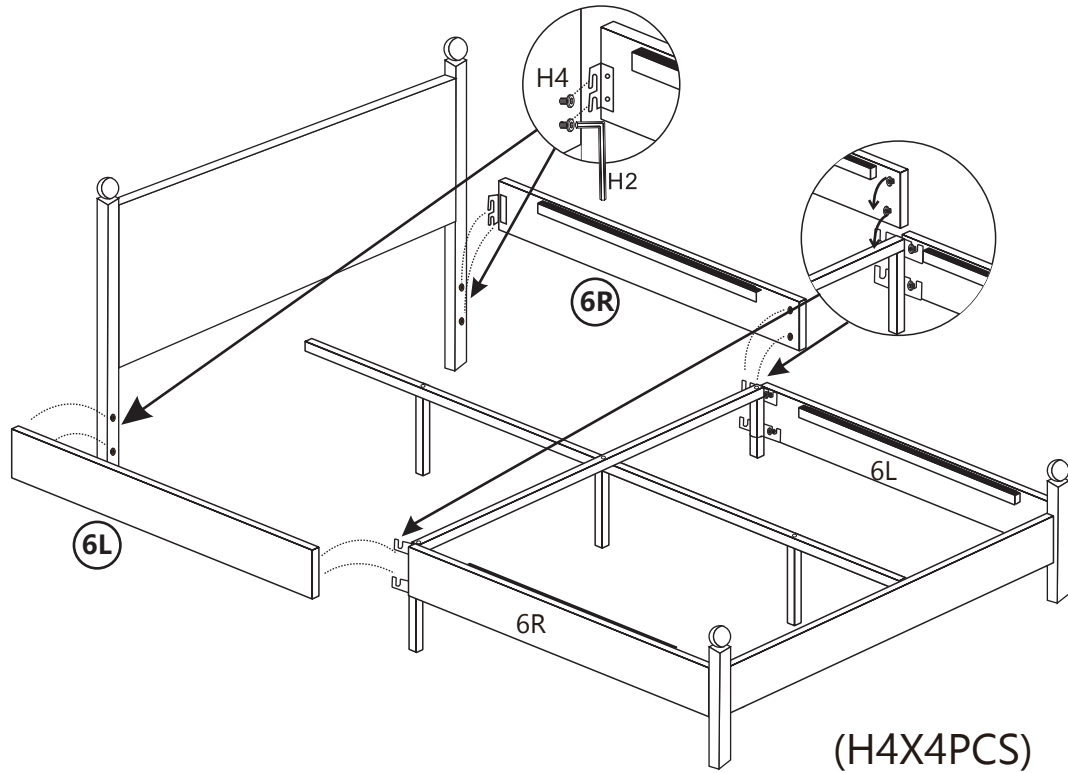


Step 6 Align component (1) and component (9) as shown in the diagram, ensuring the screw holes on the inner side of component (1) perfectly match the interface of component (9). Insert screws from the inner side of component (1) and fully tighten to secure the connection.

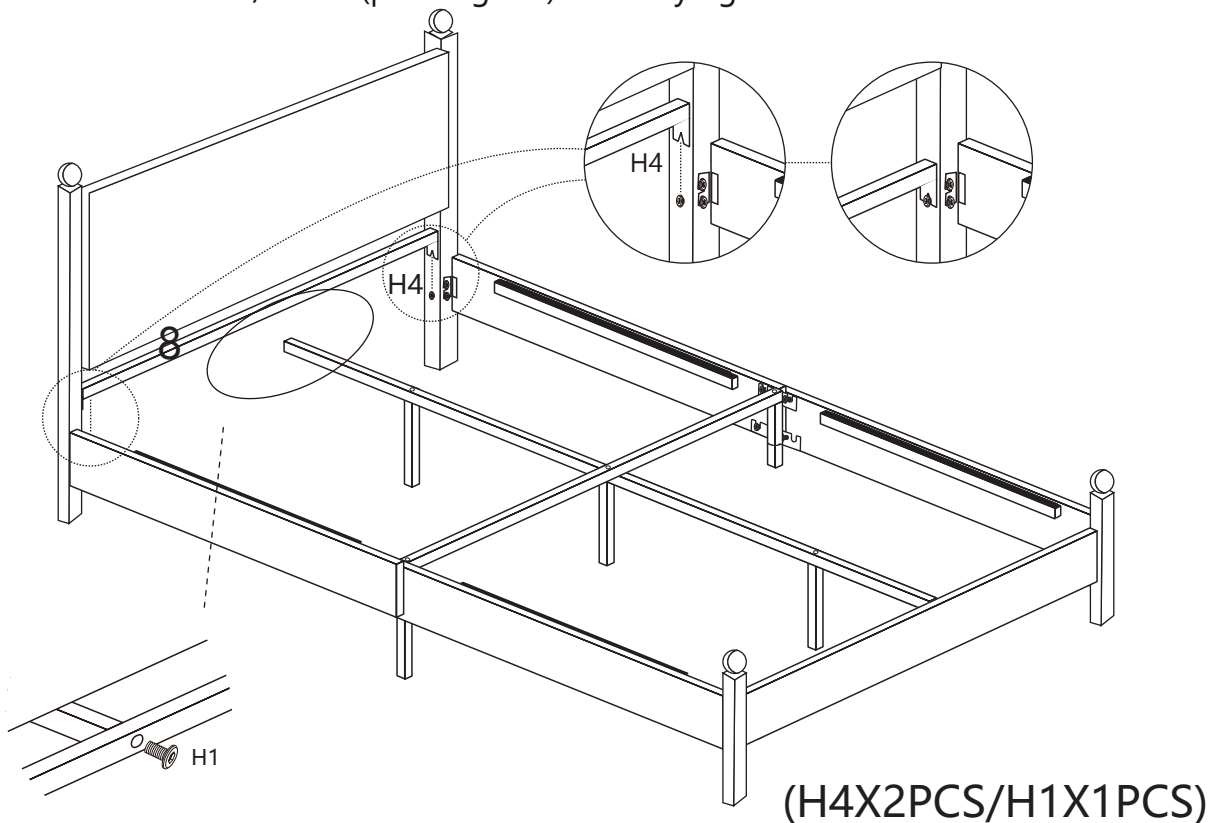


(H1X6PCS)

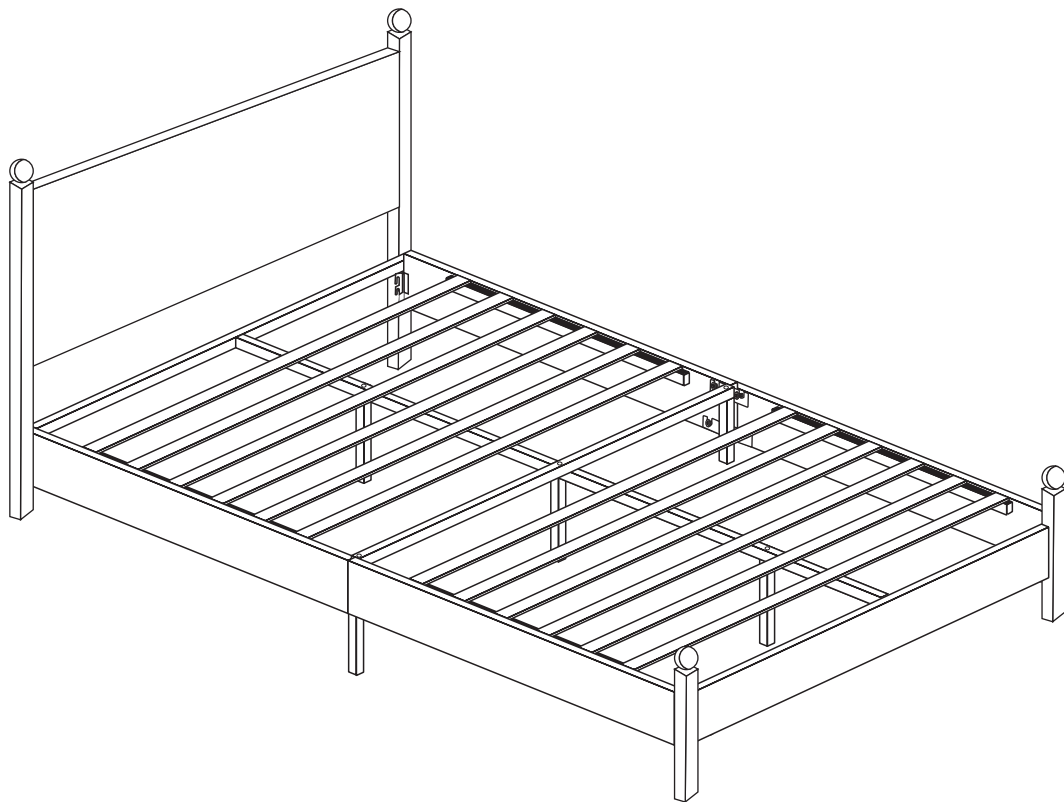
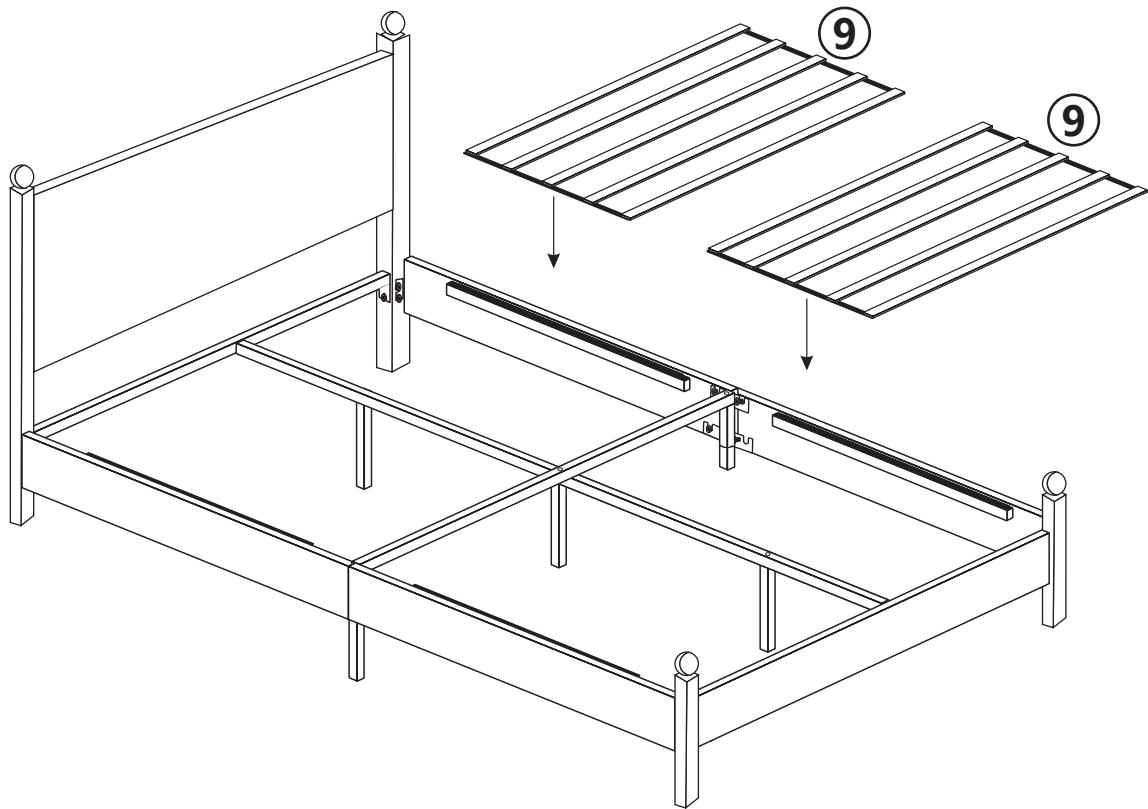
Step 7 Stand the assembled Step 6 unit vertically and stabilize it. Align it with the Step 5 unit as shown in the diagram. Position Side Panel 6R (right) and 6L (left) over the designated areas according to the diagram, ensuring edges are fully flush with the assembly. Securely fasten from the outside using screws.

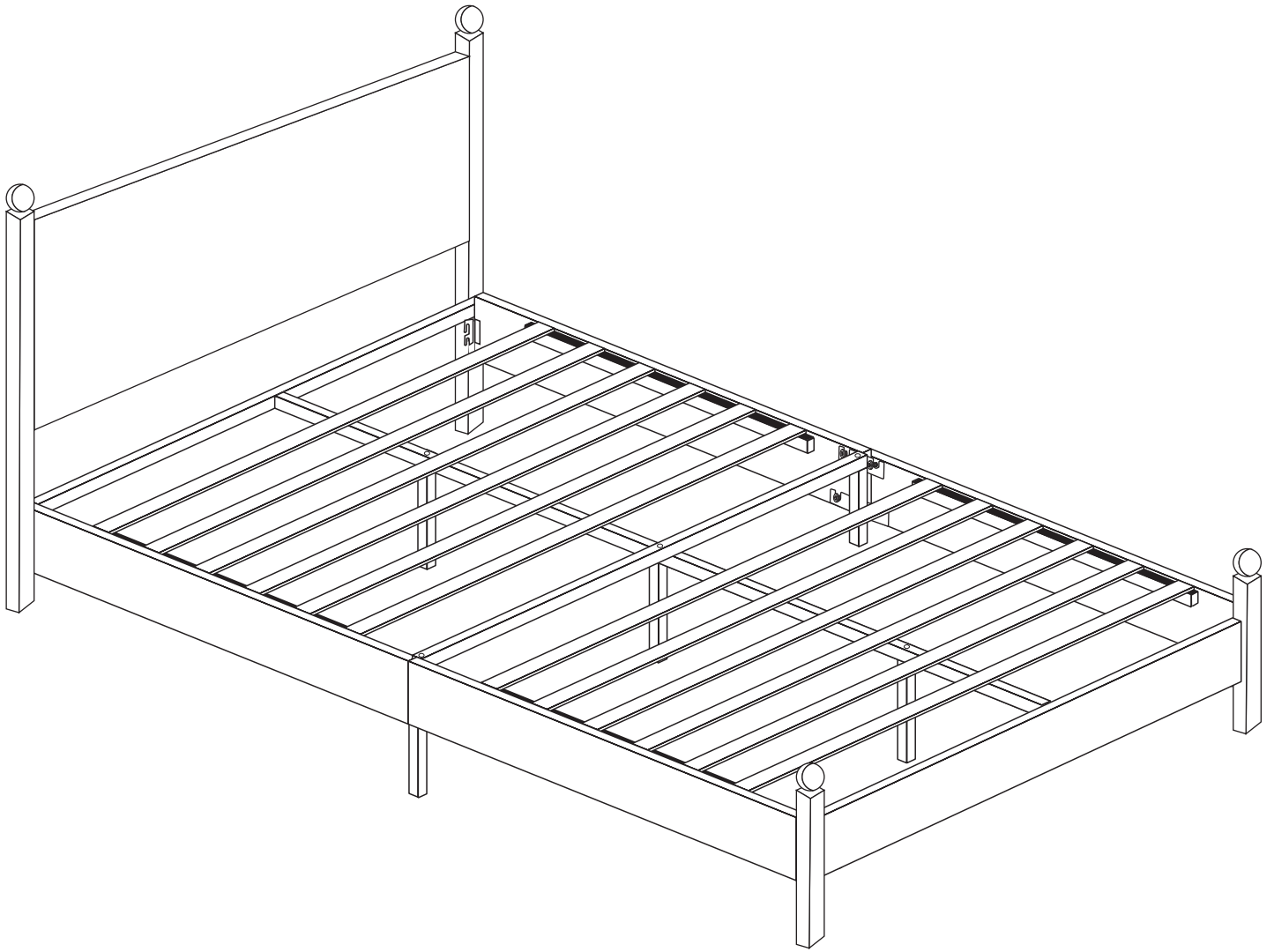


Step 8 Position component (8) in the designated area as shown in the diagram, ensuring its bottom slots or interfaces are fully aligned with the contact surface. Insert screws from the outside/inside (per diagram) and fully tighten to secure.



Step 9 Unfold component (9) and position it as shown in the diagram.





**Job complete!**

In the interest of our environment, please dispose  
of all packaging thoughtfully, thanks!

We' love to hear from you!