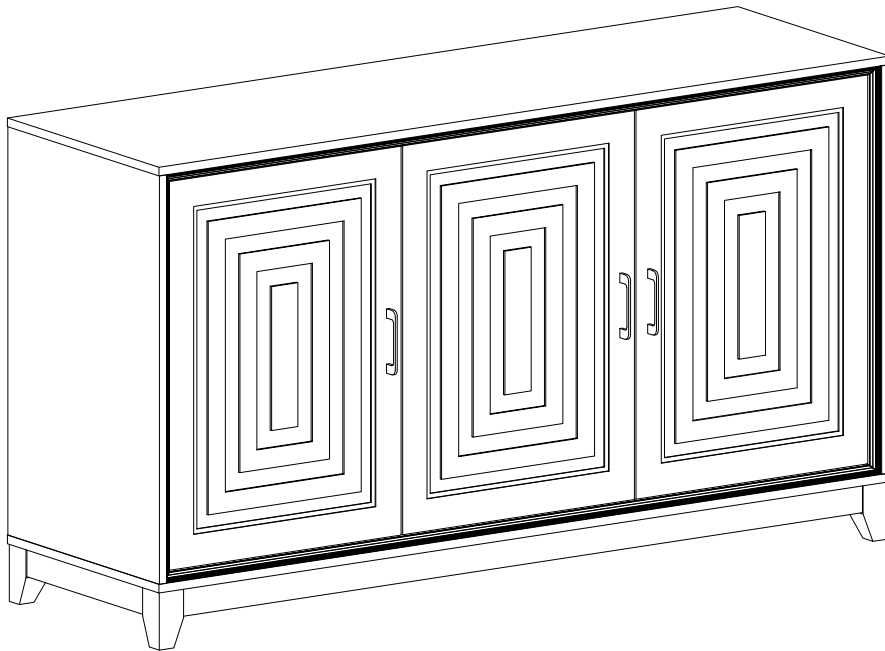


TV STAND

Assembly Instructions - Please keep for future reference.



DIMENSIONS

width - 59.1inch

Depth - 17.9inch

Height - 33.1inch

Important - Please read these instructions fully before starting assembly.

1. Thank you for choosing *our products*.

2. Return Policy



DO NOT RETURN TO THE STORE! Skip the process of returning your product and contact us directly for a replacement

If you find that parts of your order are missing or damaged, we will gladly ship any needed replacement parts free of charge.

If your product's quality does not meet your expectations or you have found any sort of defect, please contact our customer service department and let us know the details of your order and any issues encountered, we will try our best to provide you with a solution. Feel free to also directly contact our manufacturer concerning needed replacement parts and they will be happy to help provide you with a solution or answer any questions you may have.

Recommendations Before Beginning Assembly



• Read instructions, cover to cover



• Have 2-4 adults on hand for assembly depending on product size



• Do not assemble directly on flooring or carpet



• Assemble on a clean non-marring surface (example: packing foam)



• Save all packaging until finished











3. Assembly Notice:

- If you encounter any problems during assembly and find that you cannot continue, rest assured we will help you solve the situation as soon as possible. Simply keep all of the parts of the product stored in a safe place and contact us immediately so we may assist you further.
- Once you have opened your package, remove all inner hardware packages and take the parts out. One by one, Place the parts out neatly in front of you, then refer to the instructions to ensure no parts are missing. If any pieces are found missing, please carefully look in the box first, as the hardware packaging might have torn making the hardware spill in the box.
- Some key parts of your product may be stored and hidden inside of other parts. Please open any zippered or hook & loop storage compartments to remove all parts. (example: cushions and legs being stored in the underside of a sofa)
- **IMPORTANT:** When setting up your product, **DO NOT INSTALL THE SCREWS ALL THE WAY IN THE BEGINNING.** Place each screw into their proper hole and use your hand to twist the screw halfway. Twist all the screws in halfway to ensure the holes will match up properly and the product is level on the ground. When everything seems fitted, then

tighten the screws.

- When you have completed assembly, we suggest you have more than one person to assist you with lifting and placing the product.

Care & Maintenance

- ⊘  ● Do not put hot items directly on furniture surface
- ⊘  ● Do not clean furniture with harsh cleansers or polish
- ⊘  ● Do not place furniture under direct sunlight
- ⊘  ● Do not place furniture near heating or cooling vents
- ⊘  ● Do not write on furniture without a padded barrier to protect the surface
- ⊘  ● Do not place furniture outside. For indoor use only
- ⊘  ● Not for commercial use. For residential use only
- ⊘  ● Stains may be removed with mild soap solution and damp cloth
- ⊘  ● Children should not climb or jump on the furniture
- ✓  ● Dust and pick-up spills using a clean, non-colored, lint-free cloth

Caution

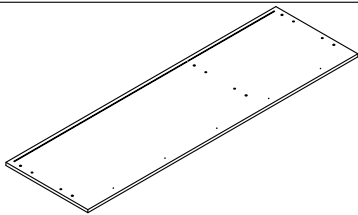
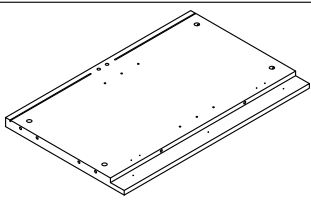
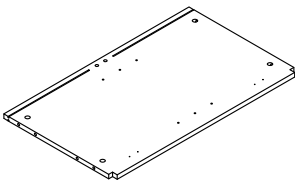
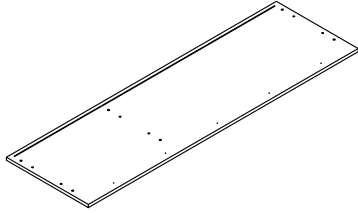
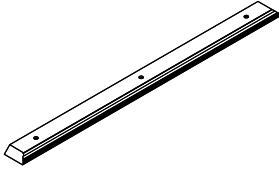
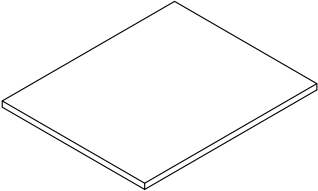
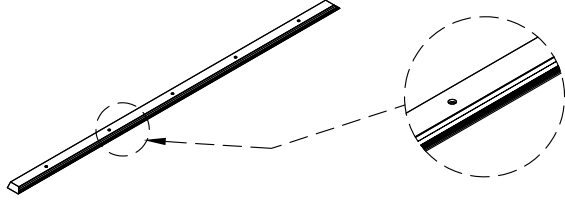
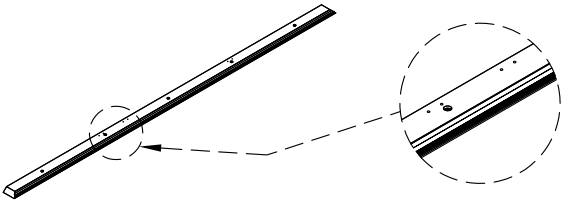
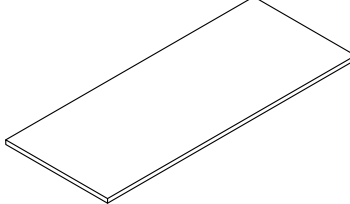
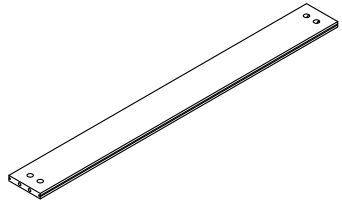
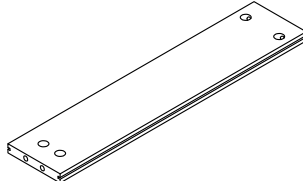
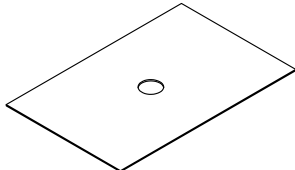
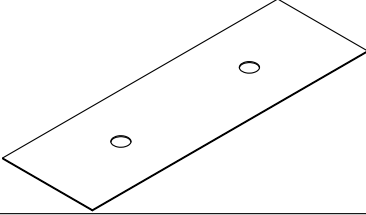
- This product contains small components. Please ensure that they are kept away from small children.
- Do not use power tools to assemble your furniture. Power tools may strip or damage the parts.



components - fittings

Please check you have all the panels listed below.

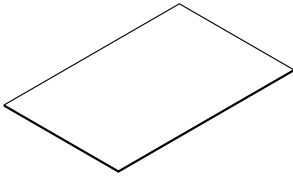
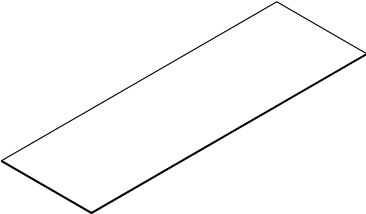
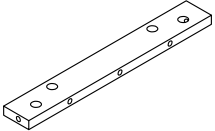
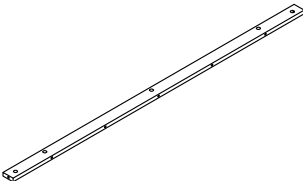

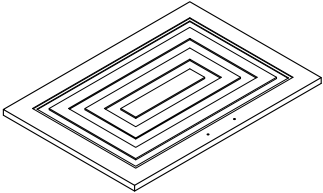
Note: The quantities below are the correct amount to complete the assembly. In some cases more fittings may be supplied than are required.

			
① x 1pc		② x 2pcs	③ x 1pc
			
④ x 1pc		⑤ x 2pcs	⑥ x 1pc
			
⑦ x 1pc		⑧ x 1pc	
			
⑨ x 1pc		⑩ x 1pc	
			
⑪ x 1pc	⑫ x 1pc	⑬ x 1pc	

components - fittings

Please check you have all the panels listed below.

Note: The quantities below are the correct amount to complete the assembly. In some cases more fittings may be supplied than are required.

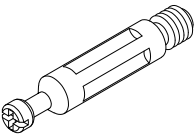

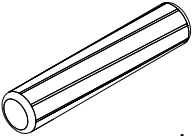
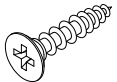
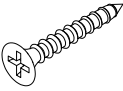
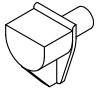
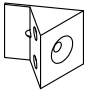
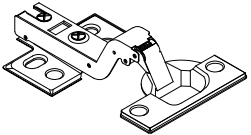
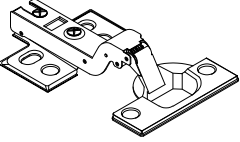
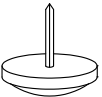
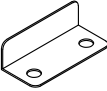
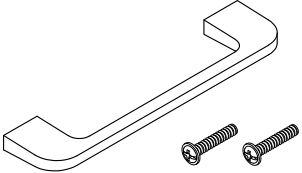
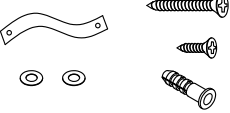
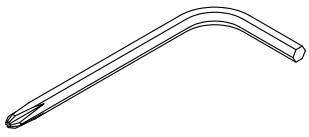
		
①④ x 1pc	①⑤ x 1pc	①⑥ x 2pcs
		
①⑦ x 2pcs	①⑧ x 4pcs	①⑨ x 3pcs

components - fittings

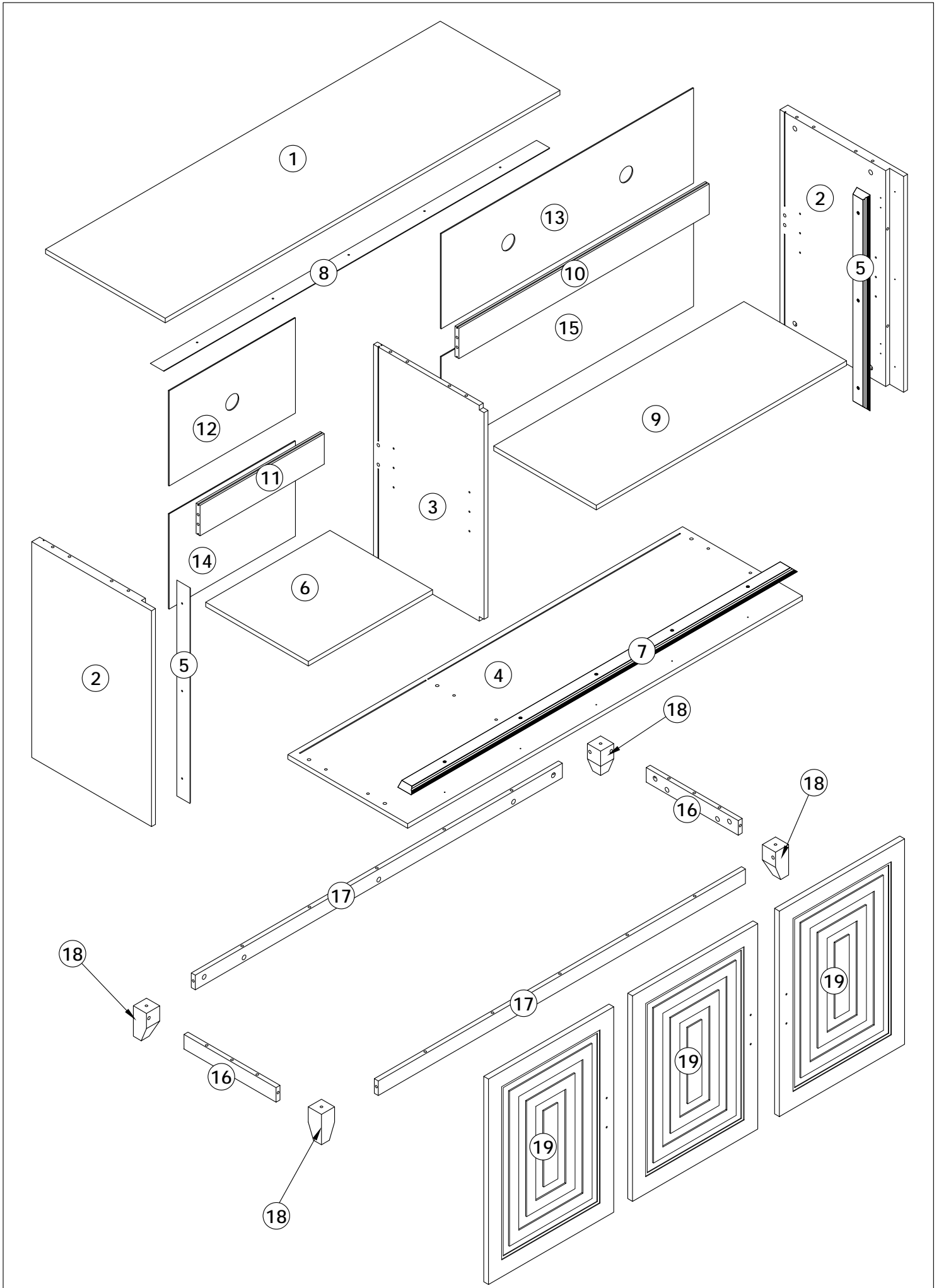
Please check you have all the panels listed below.

Note: The quantities below are the correct amount to complete the assembly. In some cases more fittings may be supplied than are required.

Hardware-List

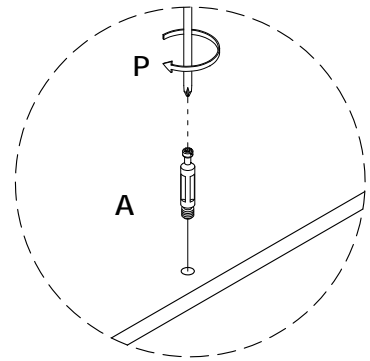
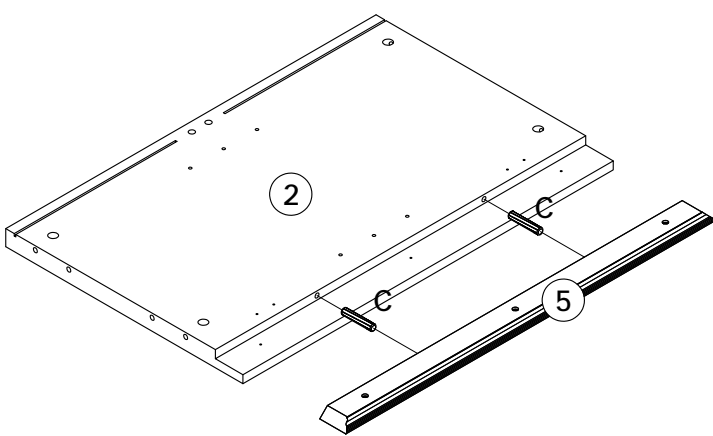
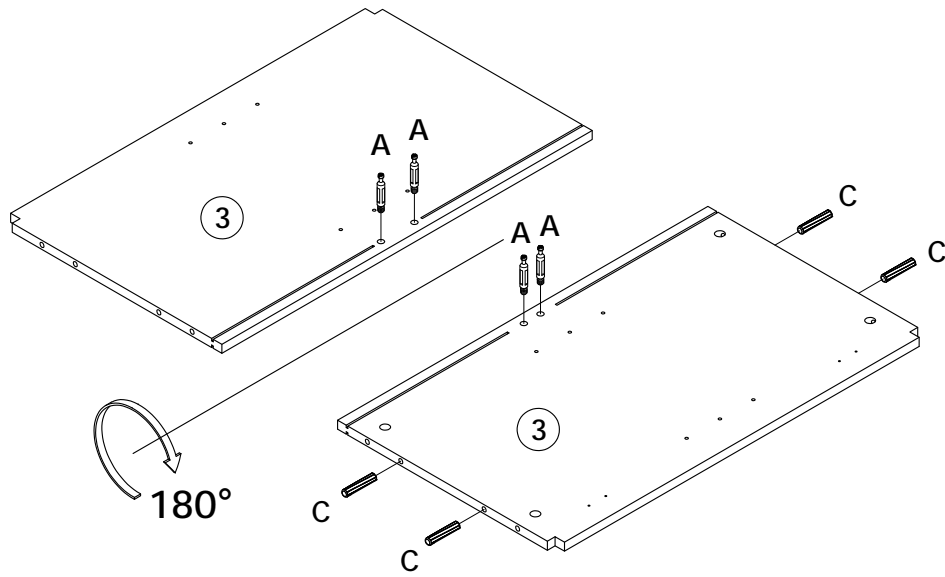
 M6*40	 Φ15*11	 Φ8*40	 Φ3.5*14
A x 38pcs	B x 38pcs	C x 26pcs	D x 62pcs
 Φ4*25			
E x 16pcs	F x 8pcs	G x 20pcs	H x 4pcs
			
J x 2pcs	K x 4pcs	L x 3pcs	M x 3sets
			
N x 2sets	P x 1pc		

Assembly Instructions

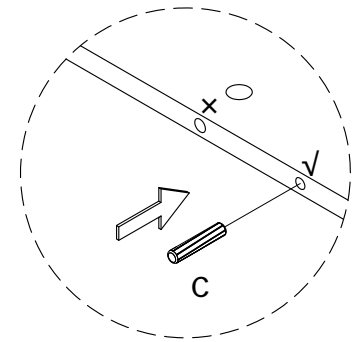
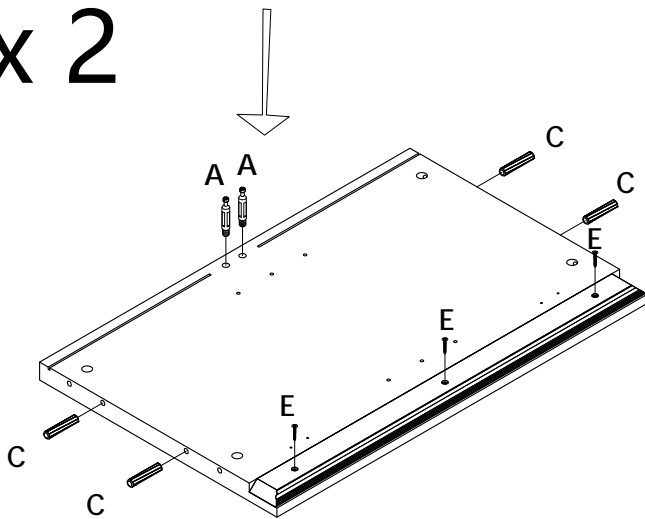


Assembly Instructions

STEP 1



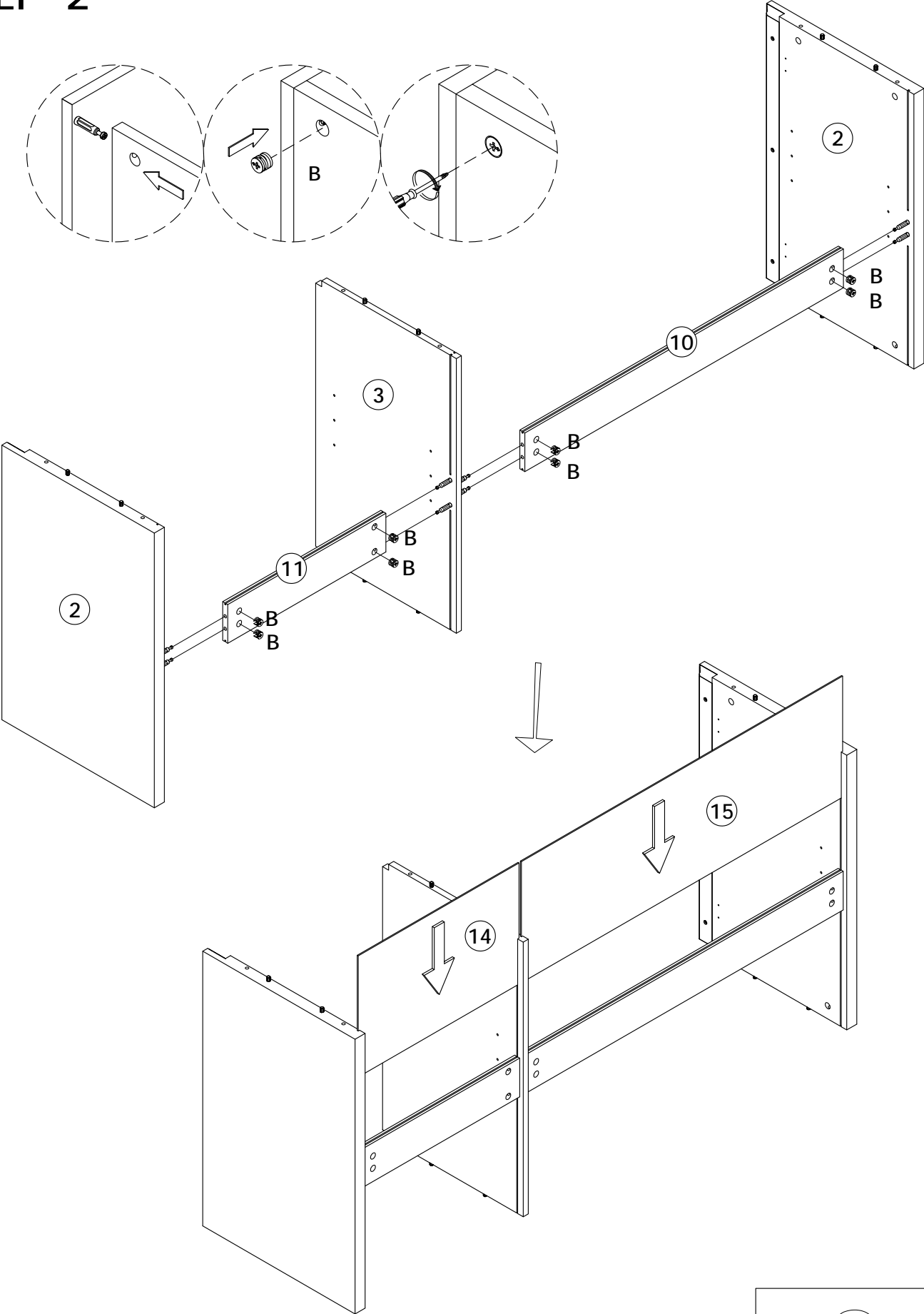
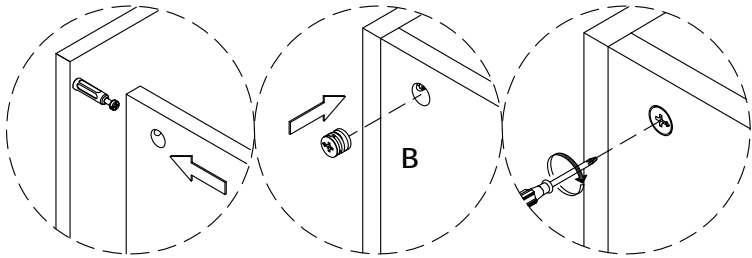
x 2



M6*40	$\Phi 8*40$	$\Phi 4*25$
A x 8pcs	C x 16pcs	E x 6pcs

Assembly Instructions

STEP 2

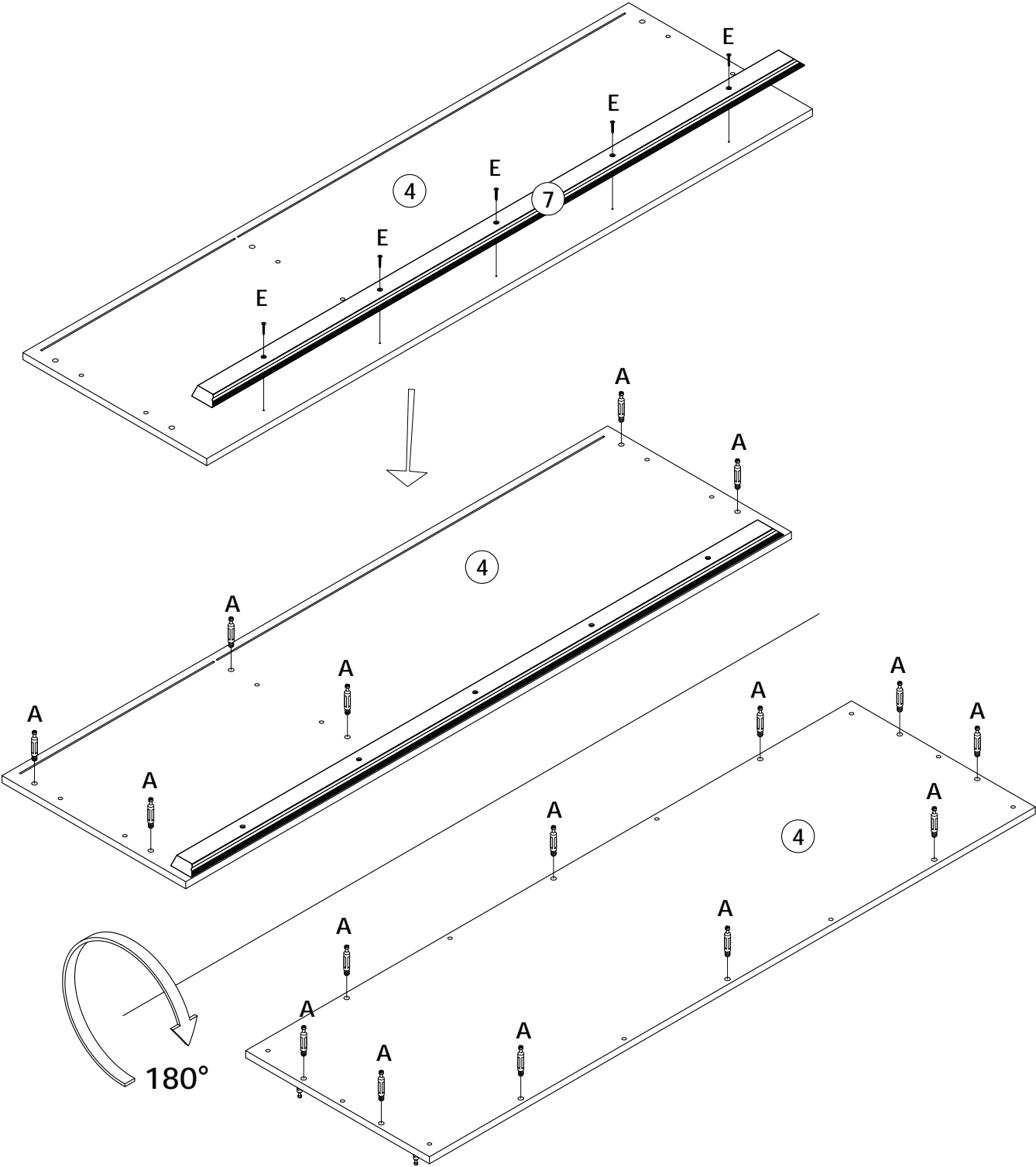


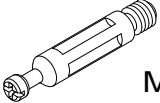
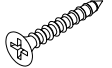
Φ15*11

B x 8pcs

Assembly Instructions

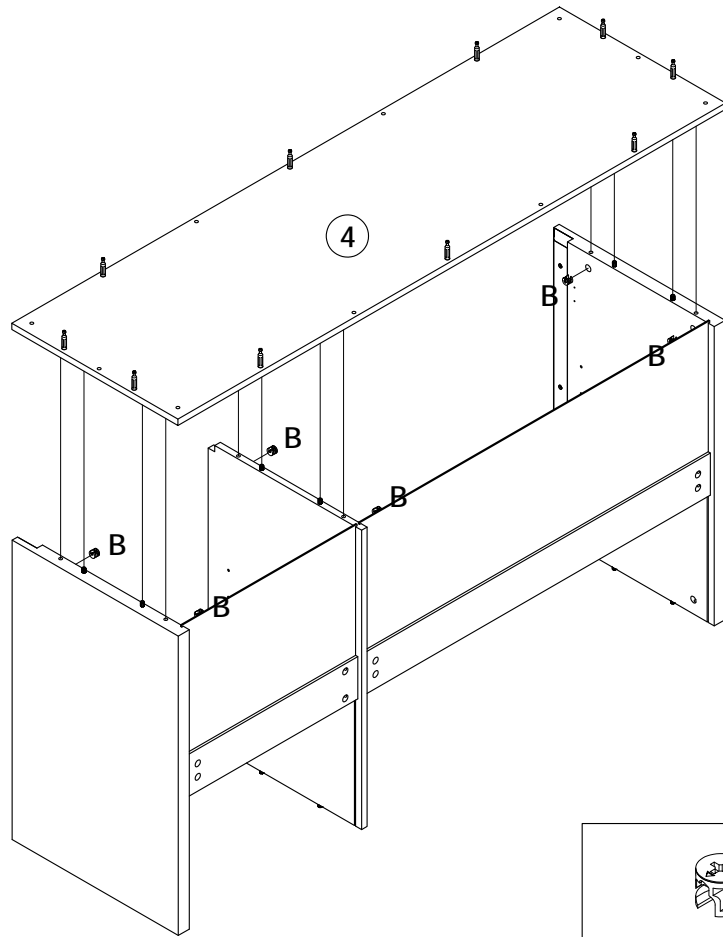
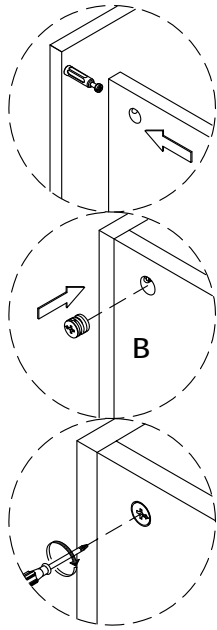
STEP 3



 M6*40	 $\Phi 4*25$
A x 16pcs	E x 5pcs

Assembly Instructions

STEP 4

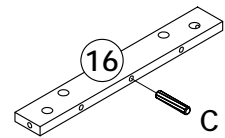
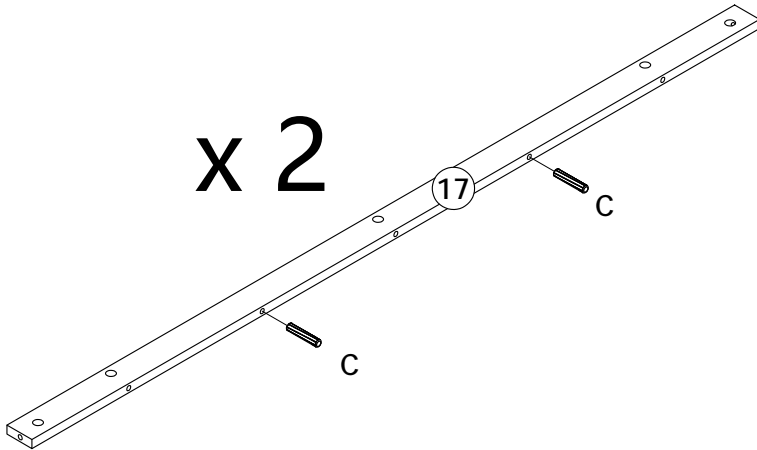


Φ15*11

B x 6pcs

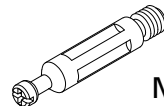
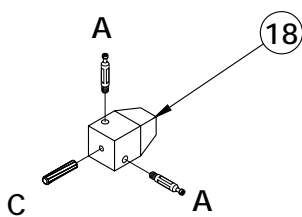
STEP 5

x 2



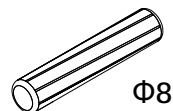
x 2

x 4



M6*40

A x 8pcs

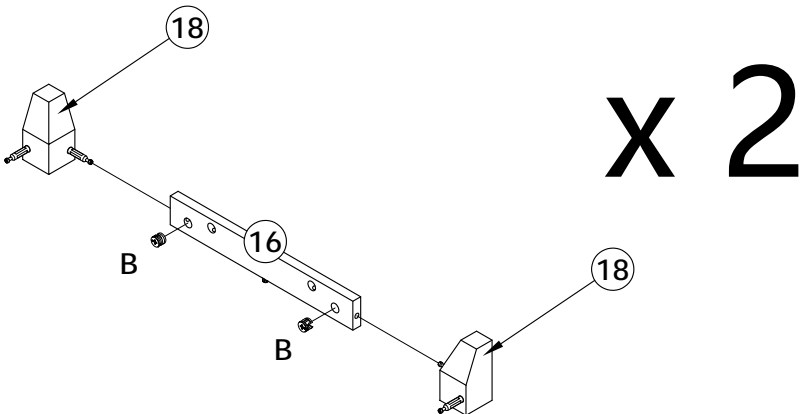



Φ8*40

C x 10pcs

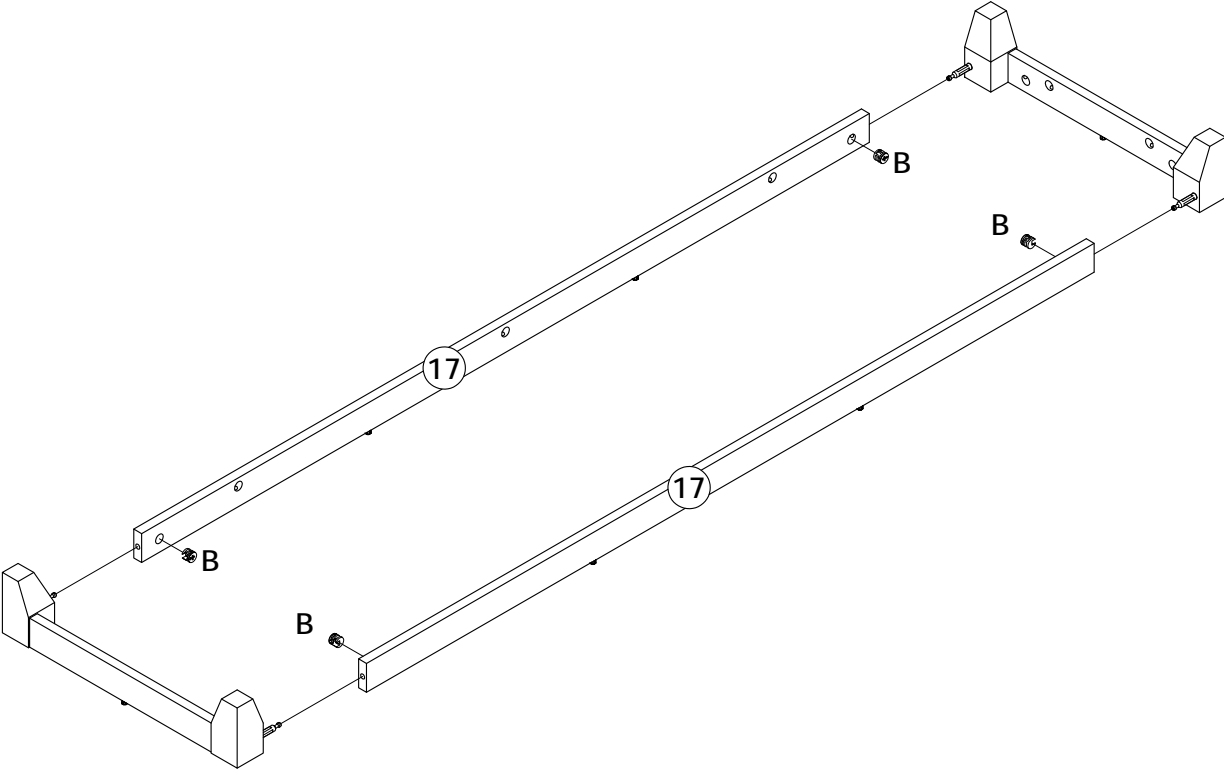
Assembly Instructions


STEP 6



	Φ15*11
B x 4pcs	

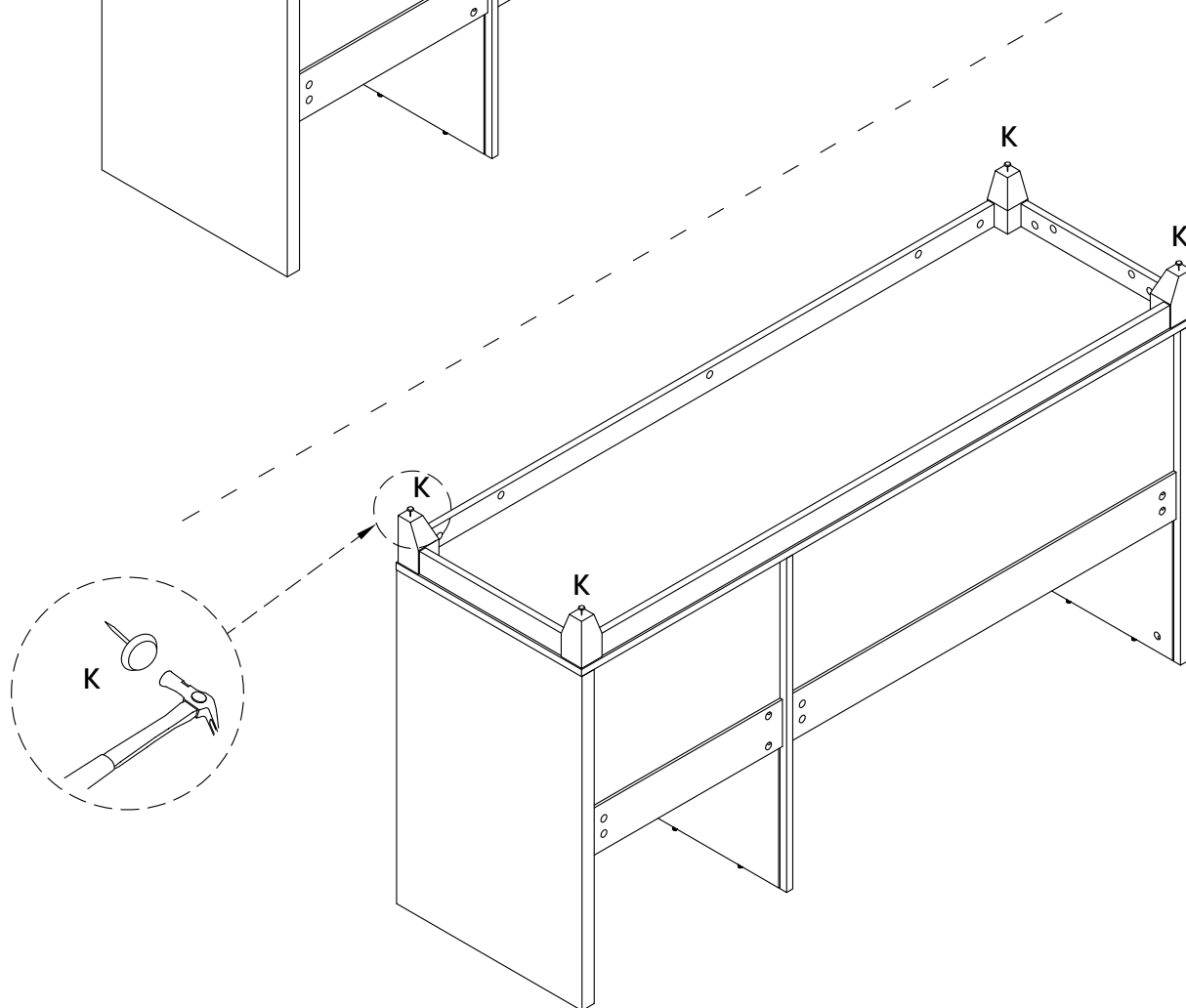
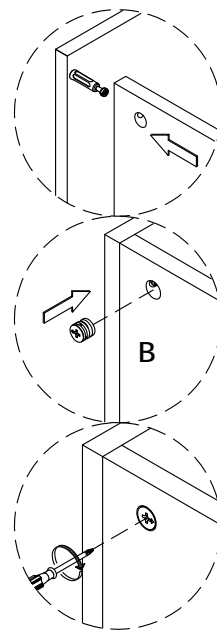
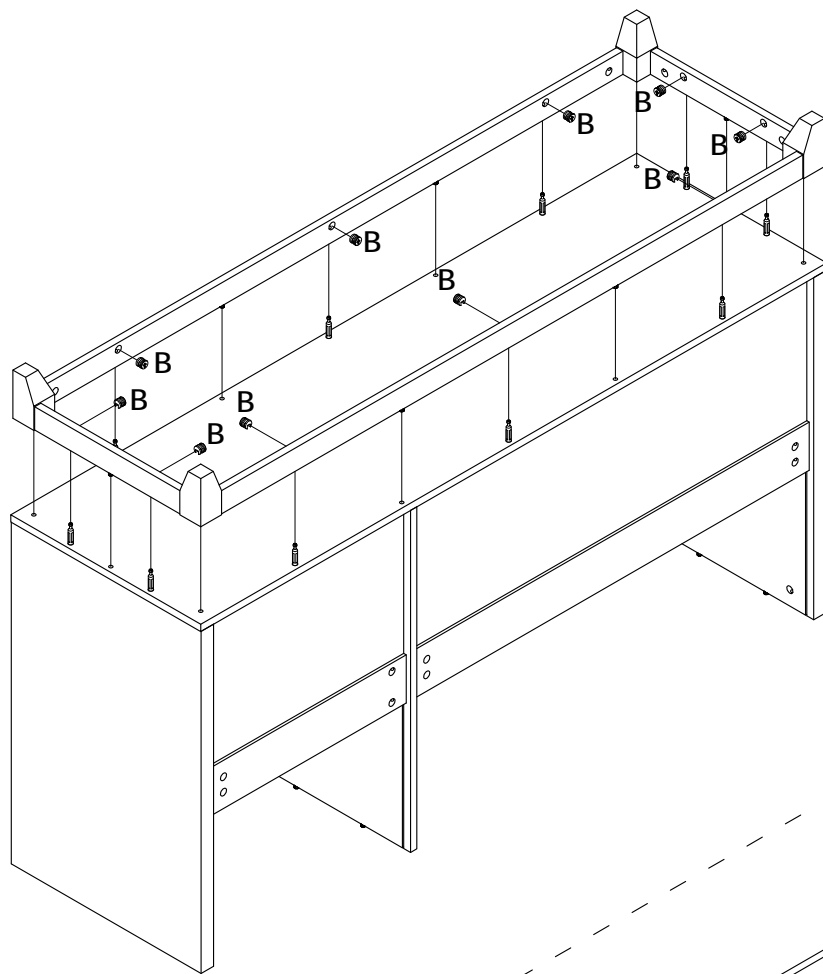
STEP 7



	Φ15*11
B x 4pcs	

Assembly Instructions

STEP 8



Φ15*11

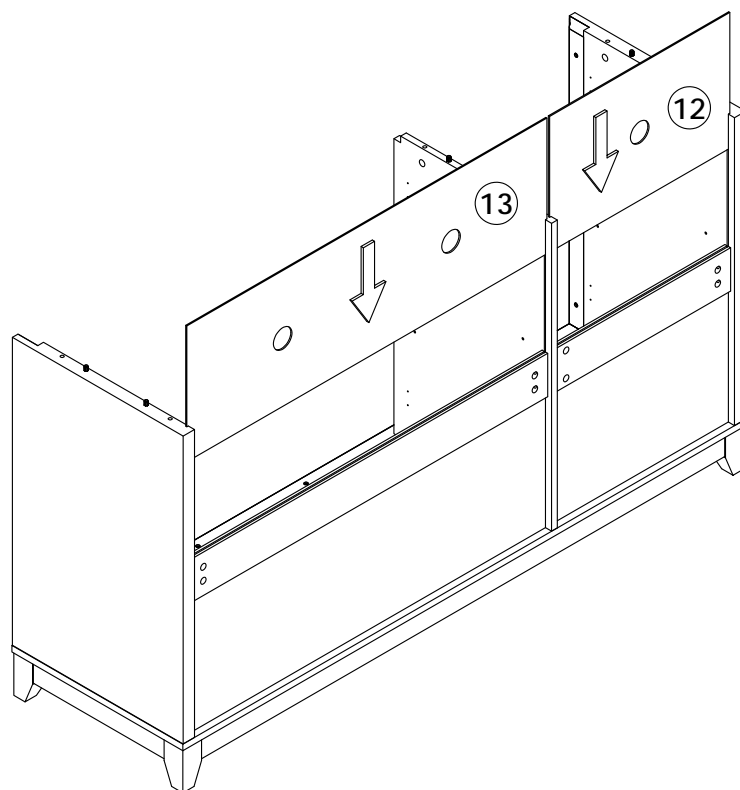
B x 10pcs



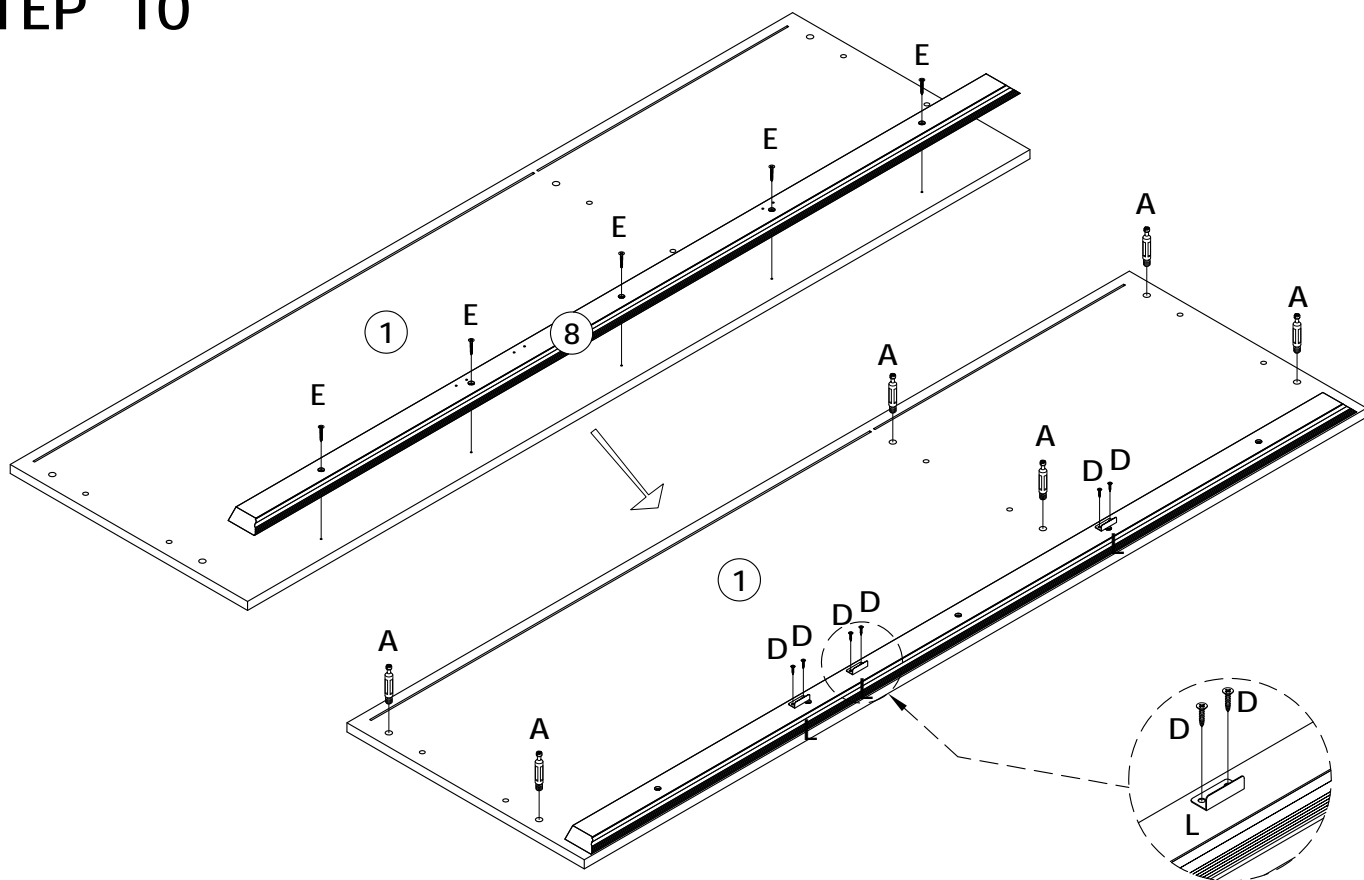
K x 4pcs

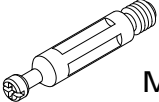
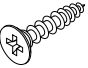
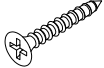
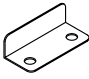
Assembly Instructions

STEP 9



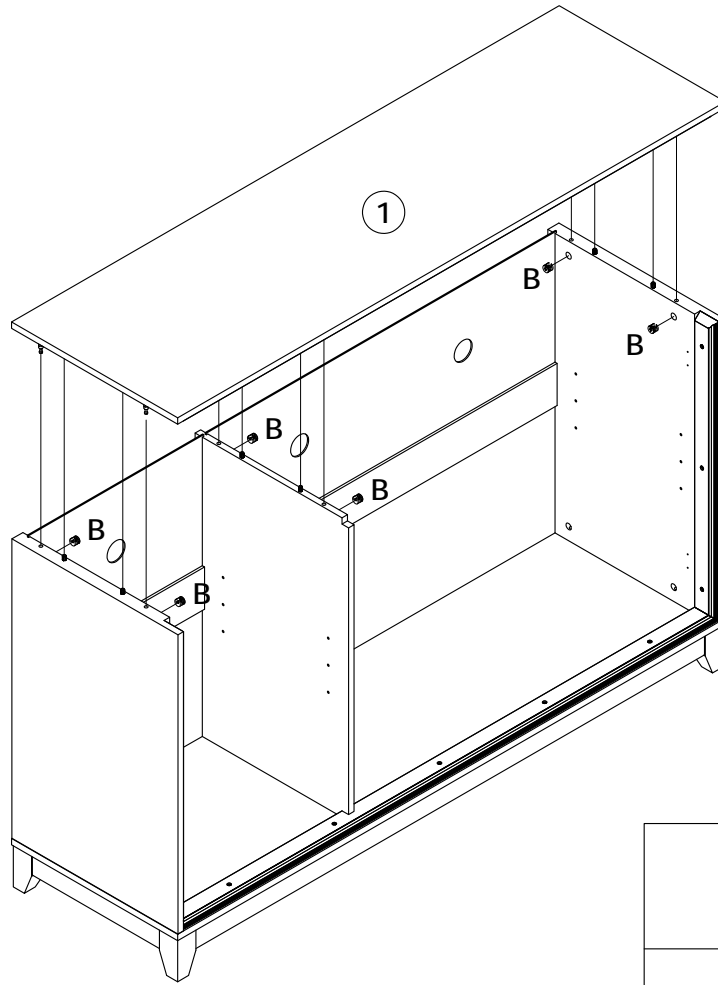
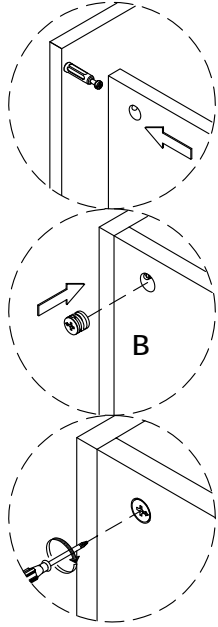
STEP 10



 M6*40	 $\Phi 3.5 \times 14$	 $\Phi 4 \times 25$	
A x 6pcs	D x 6pcs	E x 5pcs	L x 3pcs

Assembly Instructions

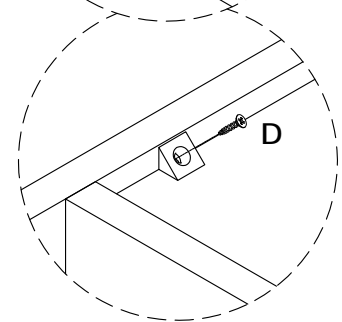
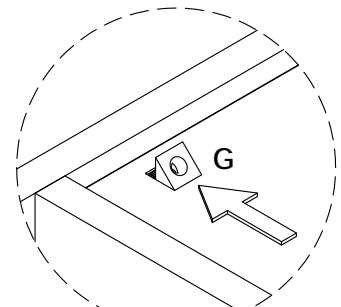
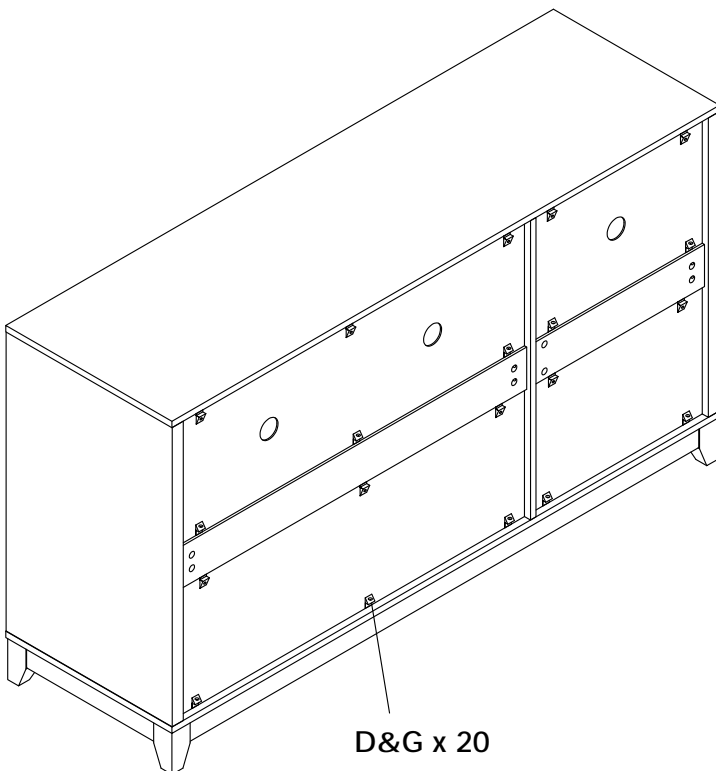
STEP 11



$\Phi 15 \times 11$

B x 6pcs

STEP 12



$\Phi 3.5 \times 14$

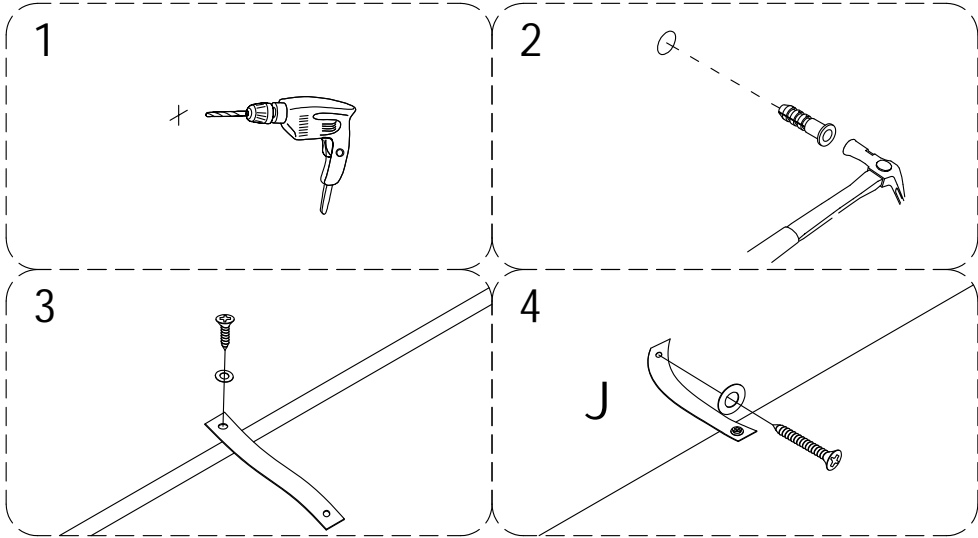
D x 20pcs



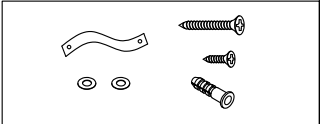
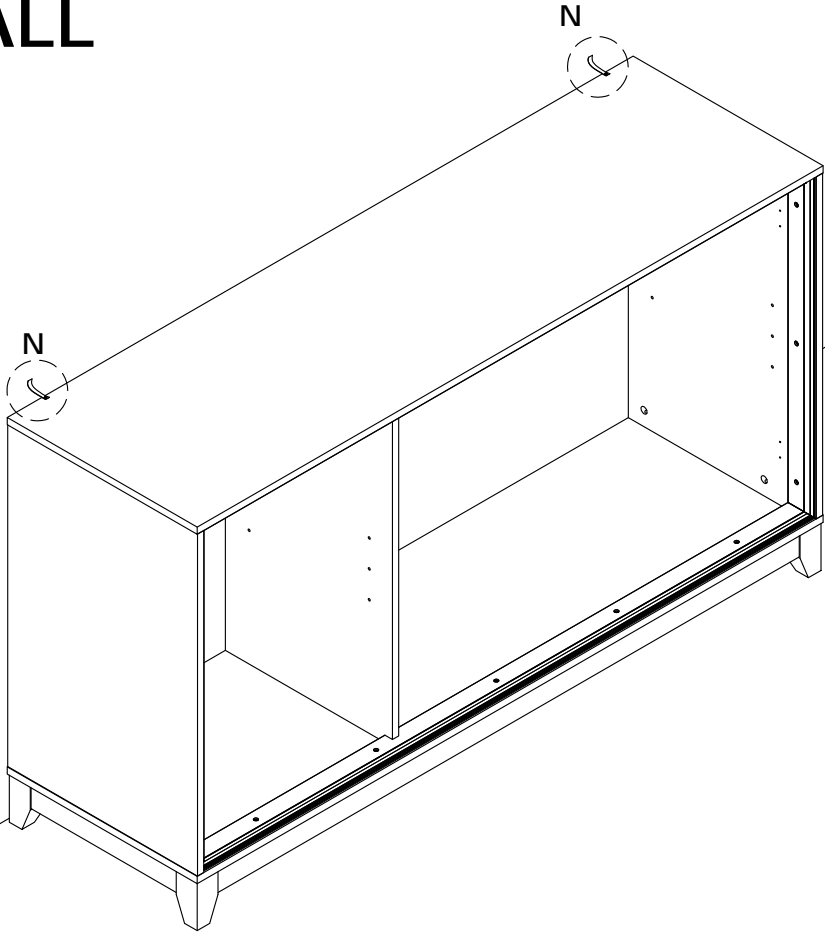
G x 20pcs

Assembly Instructions

STEP 13



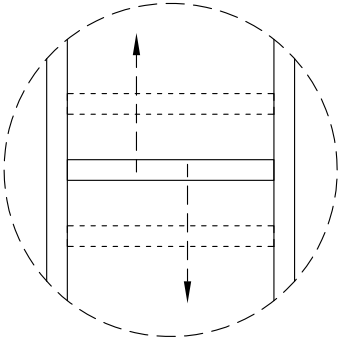
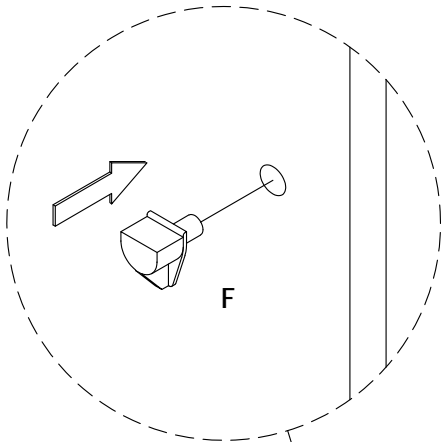
WALL



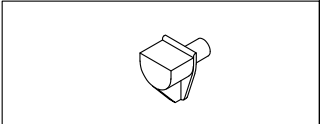
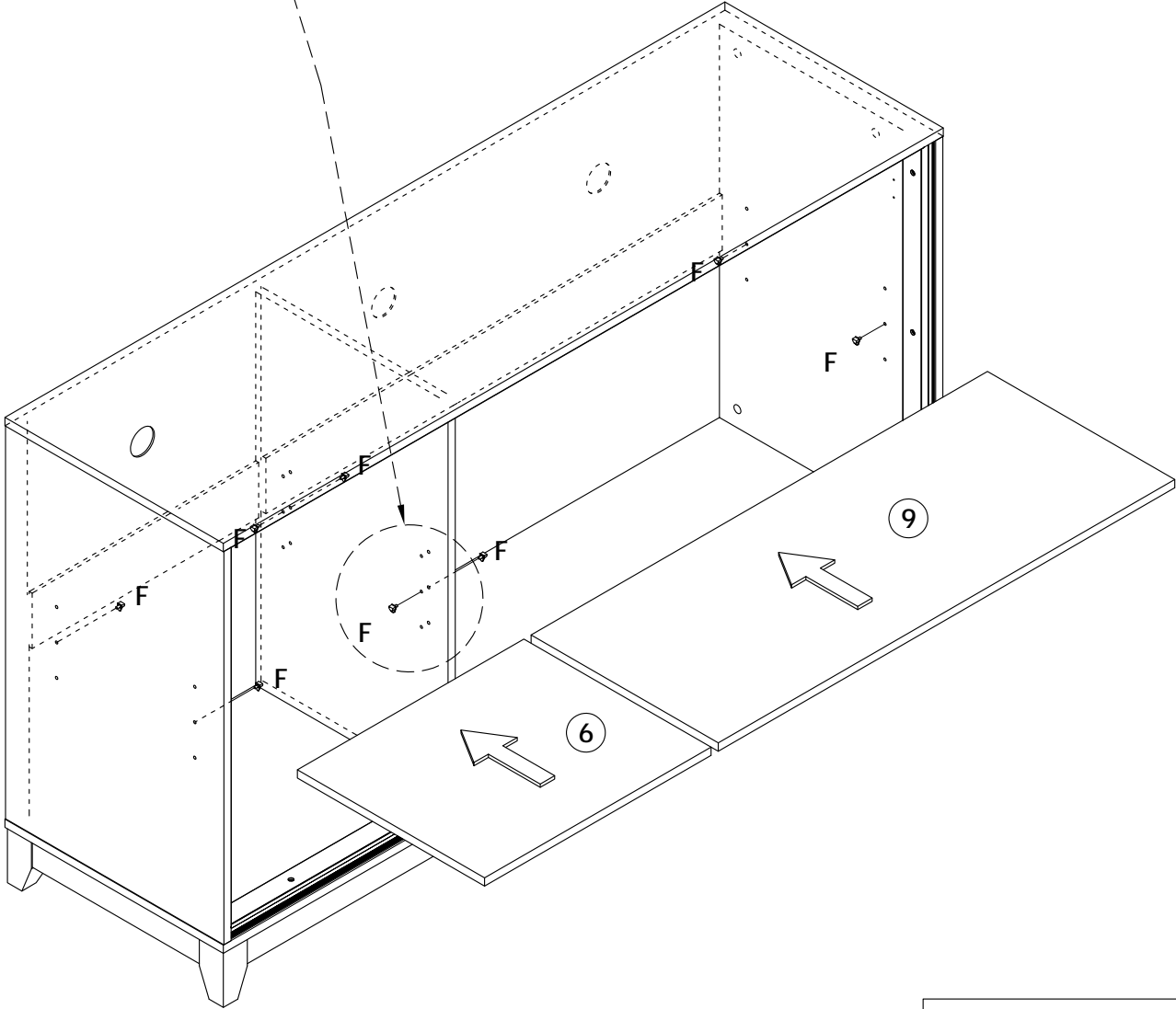
N x 2sets

Assembly Instructions

STEP 14



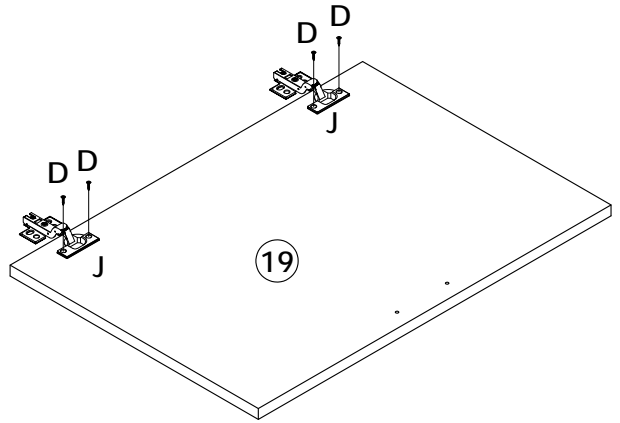
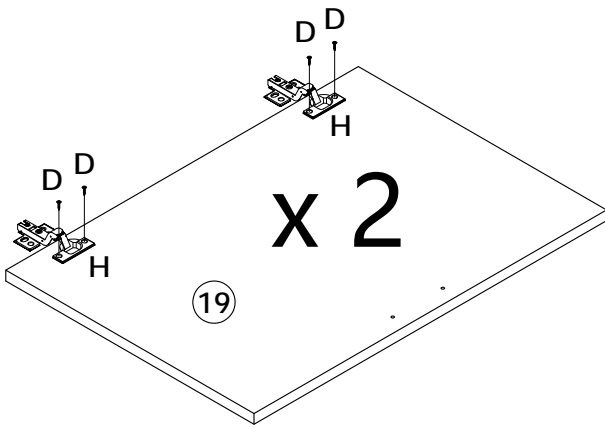
The shelf can be adjusted up and down

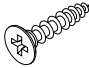
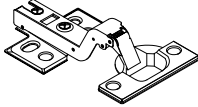
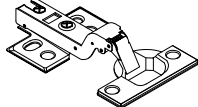


F x 8pcs

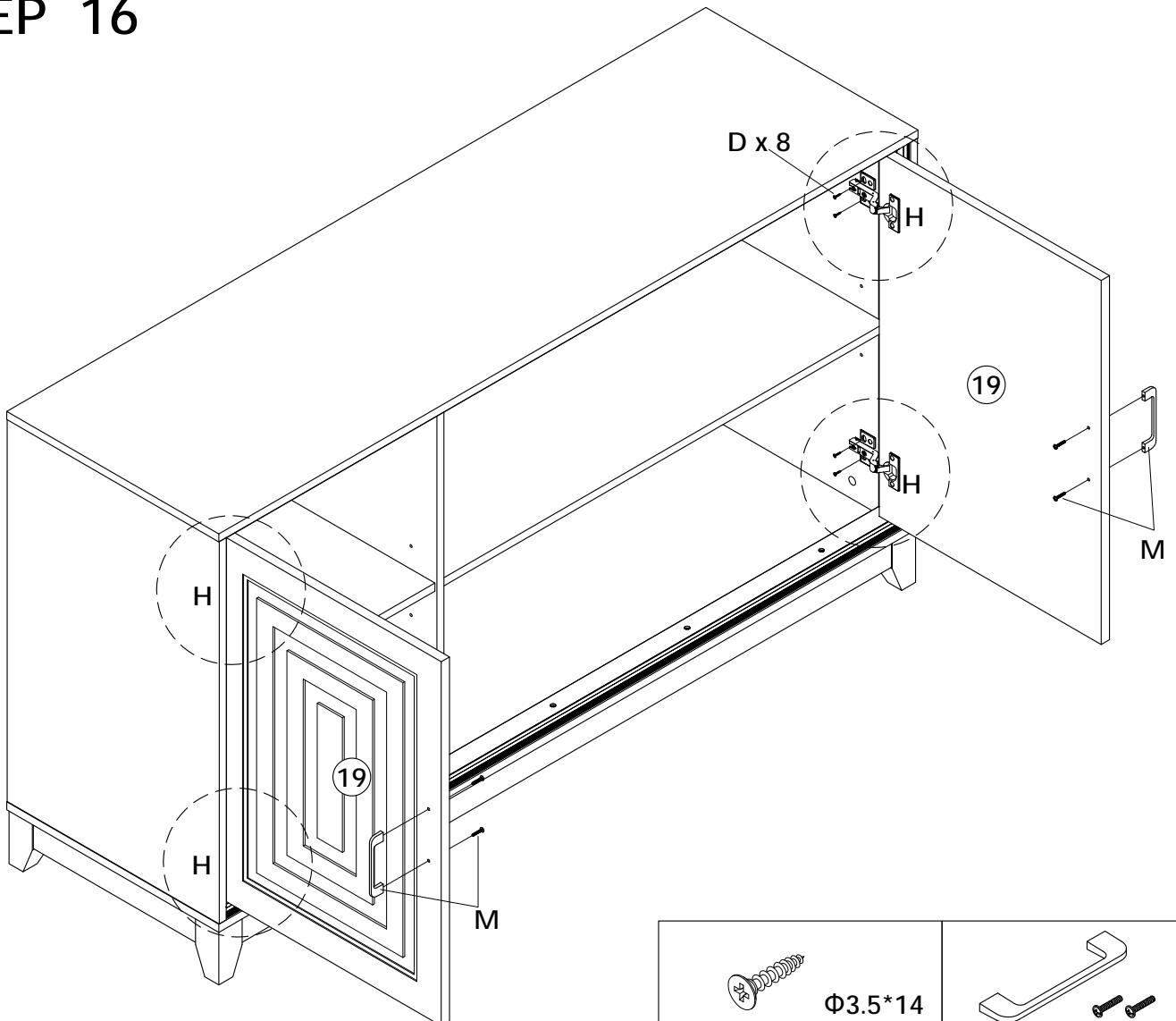
Assembly Instructions

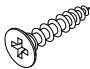
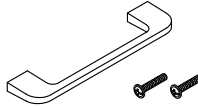
STEP 15



 Φ3.5*14		
D x 12pcs	H x 4pcs	J x 2pcs

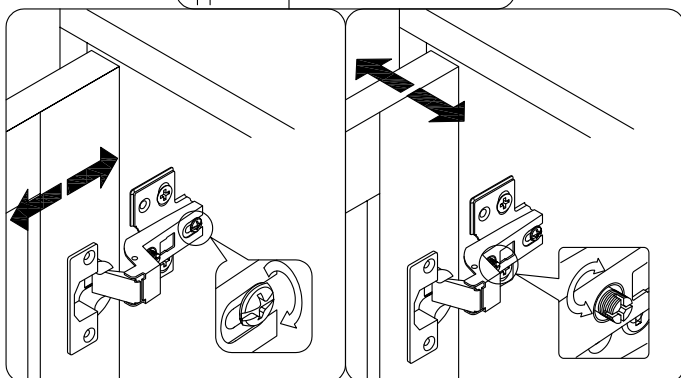
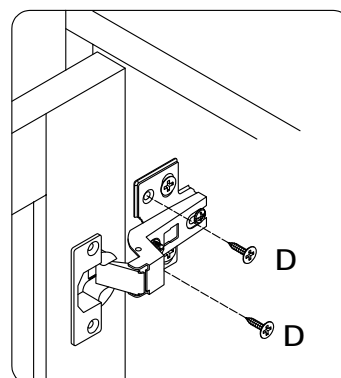
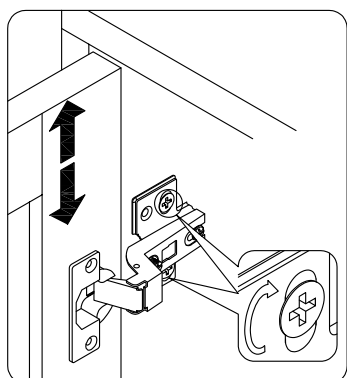
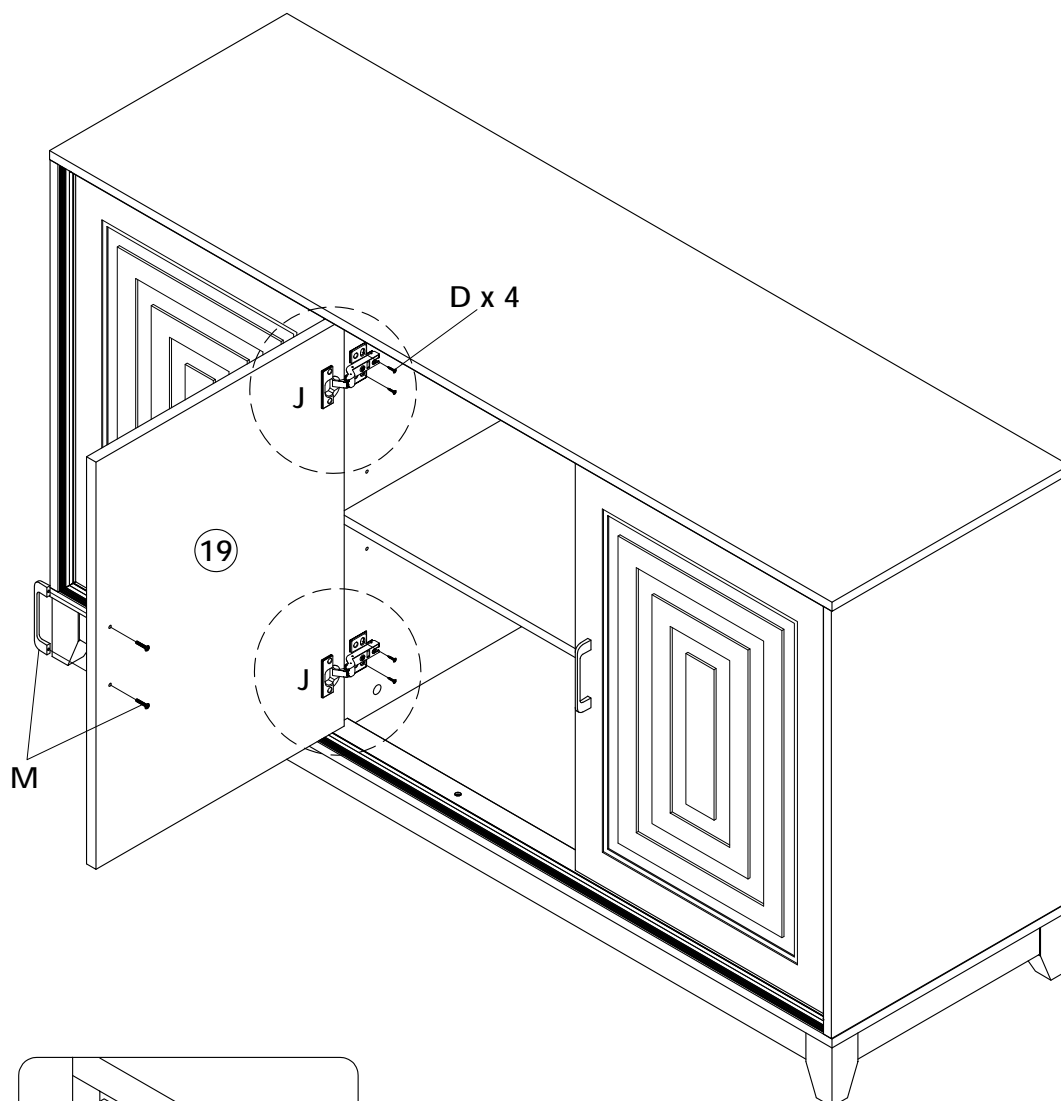
STEP 16



 Φ3.5*14	
D x 8pcs	M x 2sets

Assembly Instructions

STEP 17

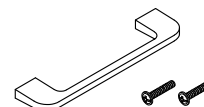


After adjusting the gaps of all doors evenly, fix them with hardware D.



$\Phi 3.5 \times 14$

D x 16pcs



M x 1set