

# Drawer Dresser

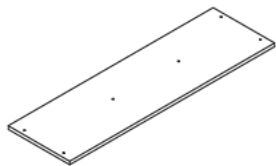
## Instruction Manual



# 1 Component List

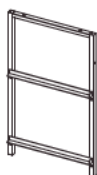
---

**A** X1



Top Board

**B** X1



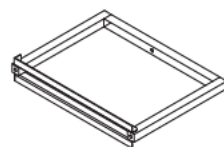
Side Frame

**C** X1



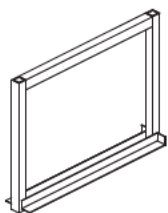
Side Frame

**D** X2



Middle Frame

**E** X1



Middle Frame

**F** X2



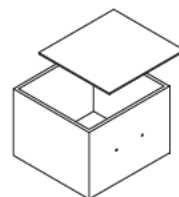
Cross Tube

**G** X2



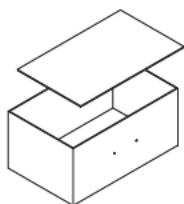
Cross Tube

**H** X3



Drawer

**I** X2



Drawer

## 2 Supplied Parts and Hardware

---

**1** X22



Bolts  
M6x25mm

**2** X10



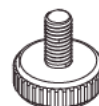
Bolts  
M4x10mm

**3** X5



Drawer Handle

**4** X4



Adjusting Foot

**5** X2

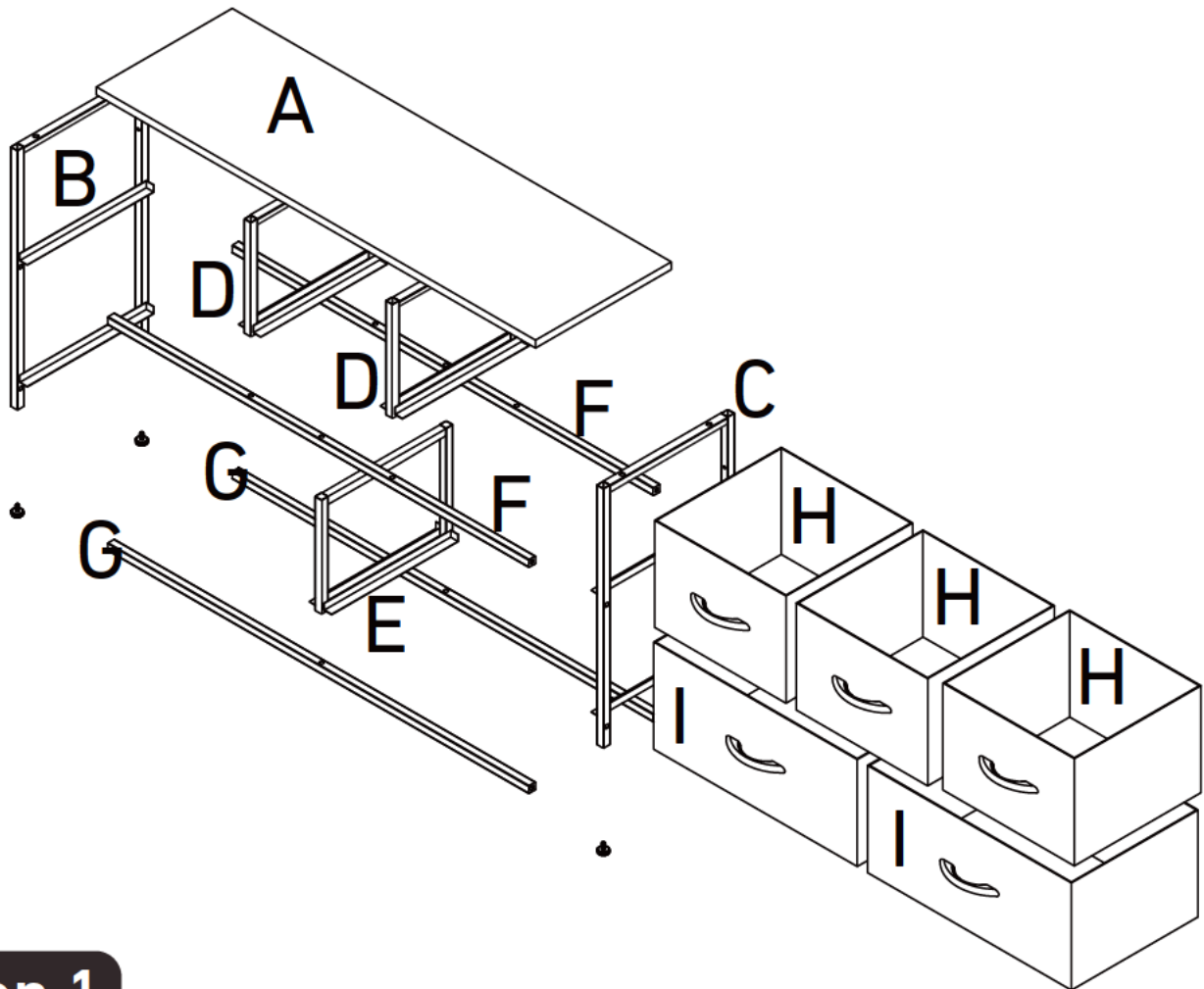


Bolts & Tube  
M4x60mm

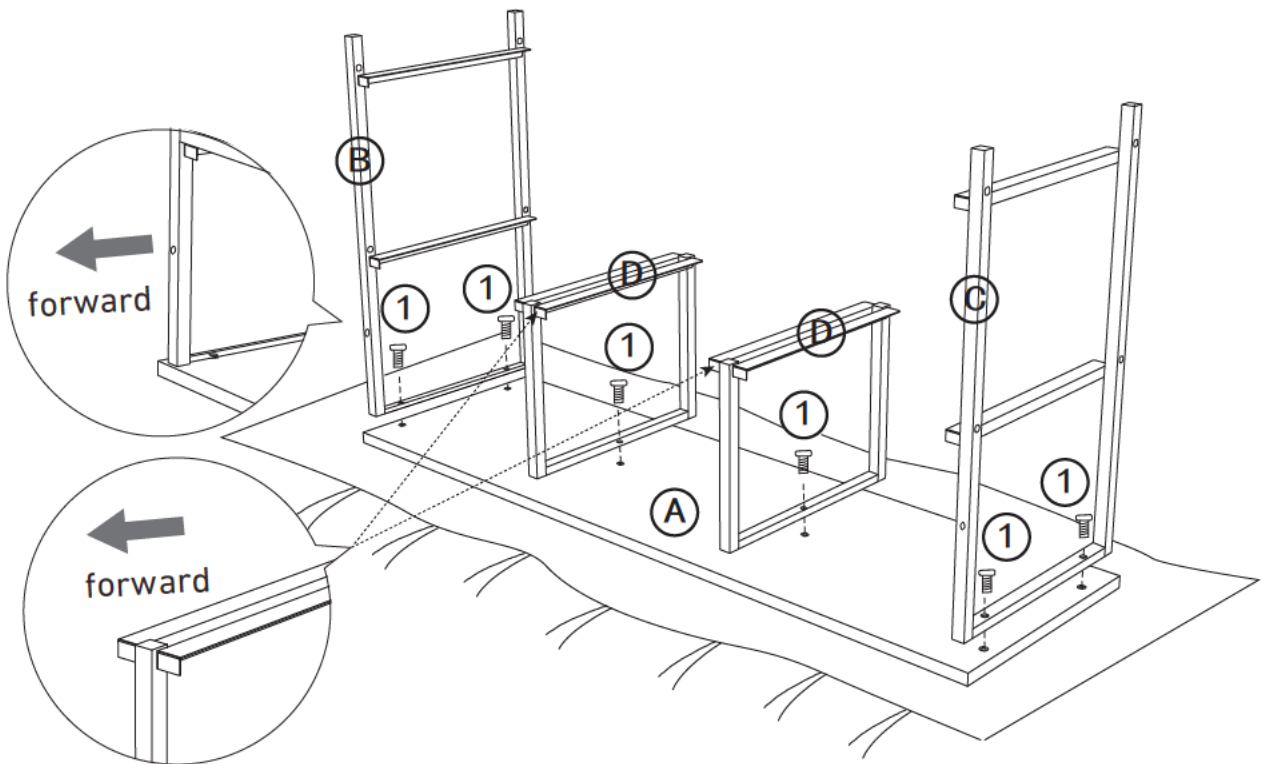
**6** X1



Wrench & Screwdriver



## Step 1

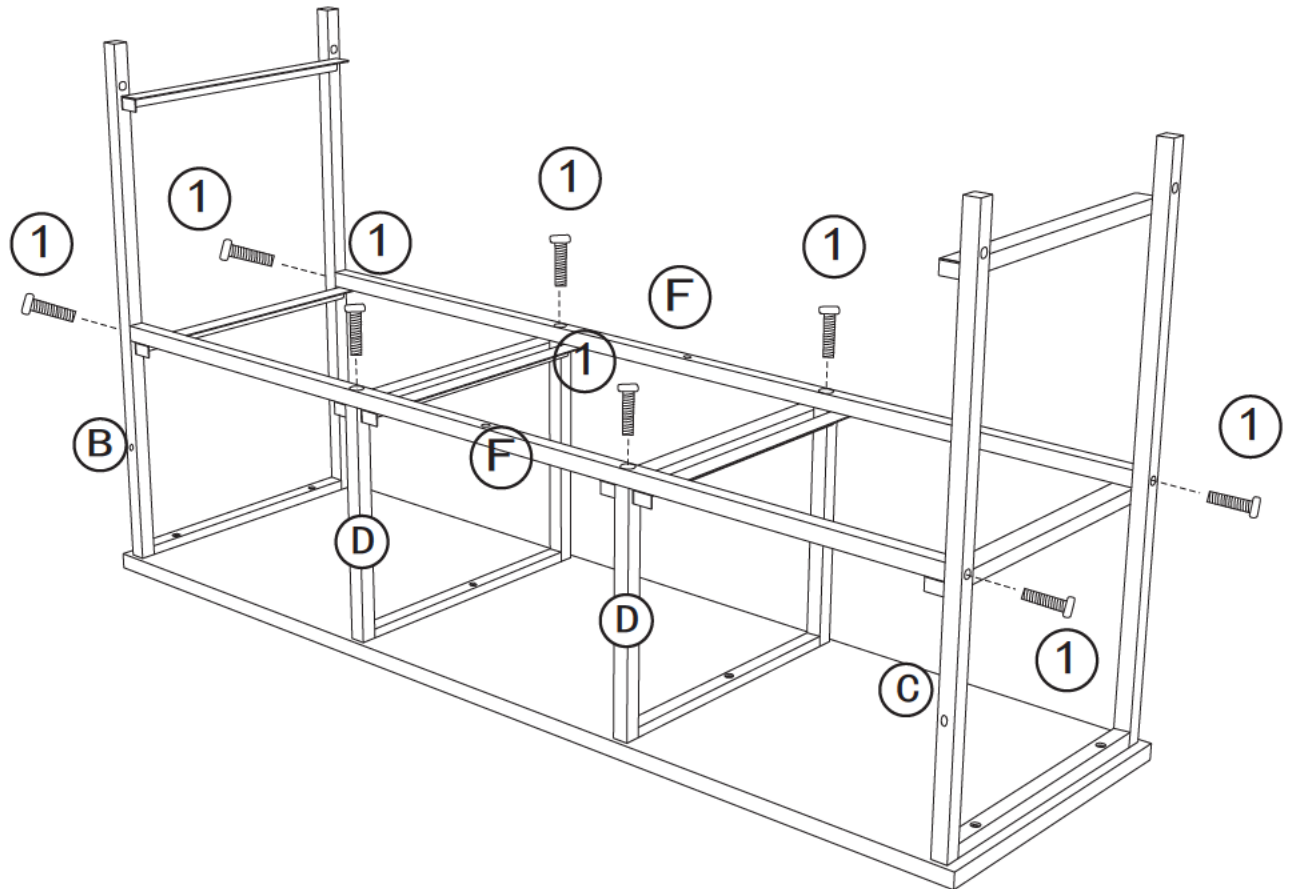


As shown, fix the Side Frames **(B)&(C)** to both ends of Top Board **(A)** and fix the Middle Frames **(D)\*2** to the middle of **(A)** with Bolts **(1)\*6**.

### NOTE:

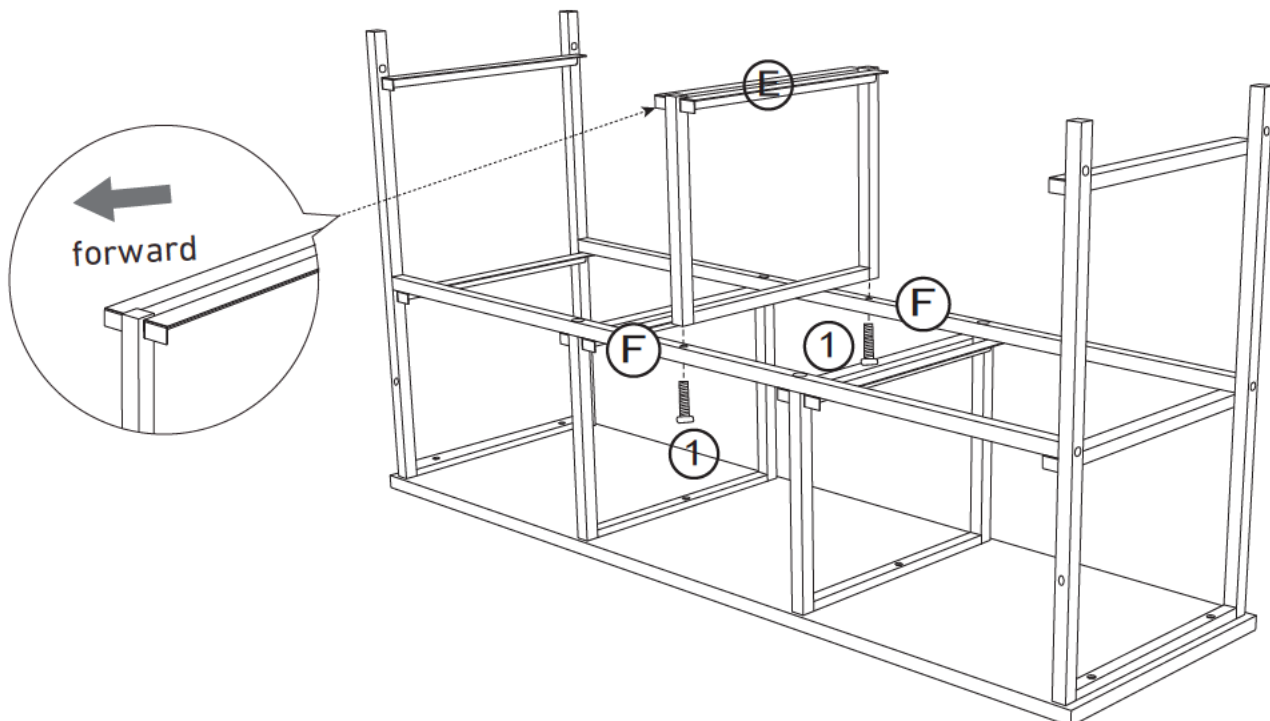
Put a blanket under the Top Board to avoid scratches or damage.  
Side Frames **(B&C&D)** face the same direction.

## Step 2



Install Cross Tube **(F)\*2** to the Frames **(B&C&D)** with Bolts **(1)\*8**.

## Step 3

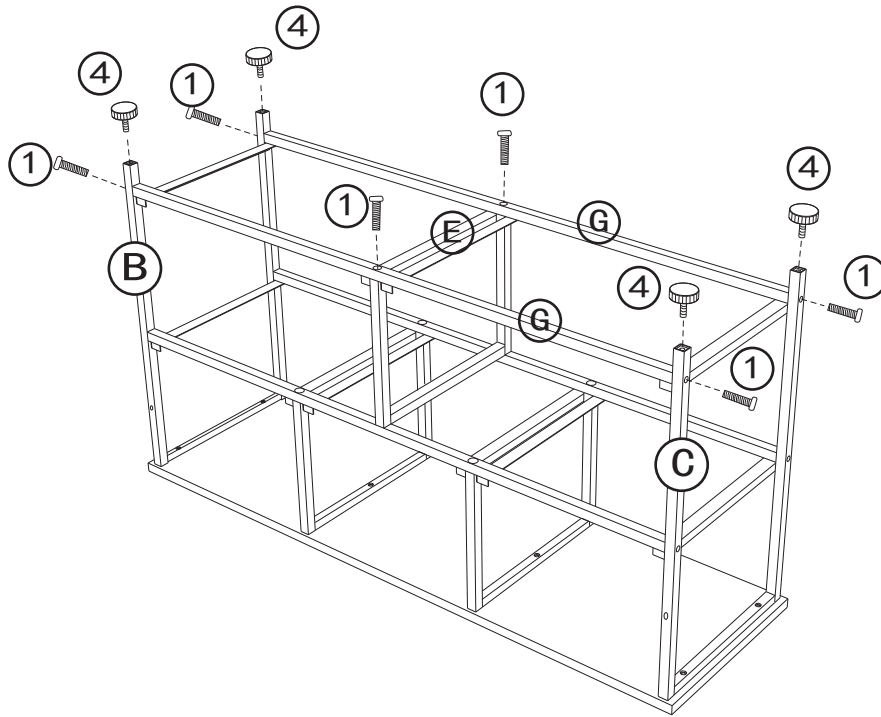


Install Middle Frame **(E)** to the middle of the Cross Tube **(F)\*2** with Bolts **(1)\*2**.

### NOTE:

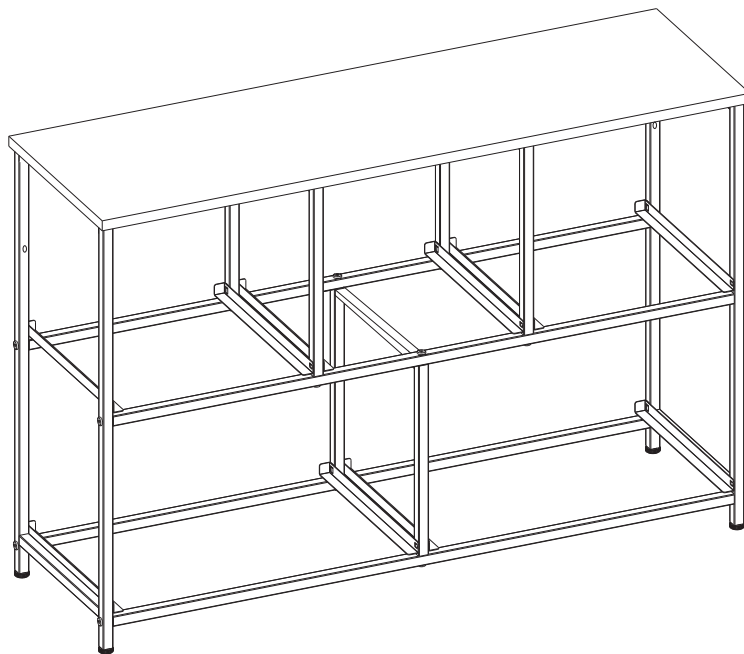
Middle Frames **(D&E)** face the same direction.

## Step 4



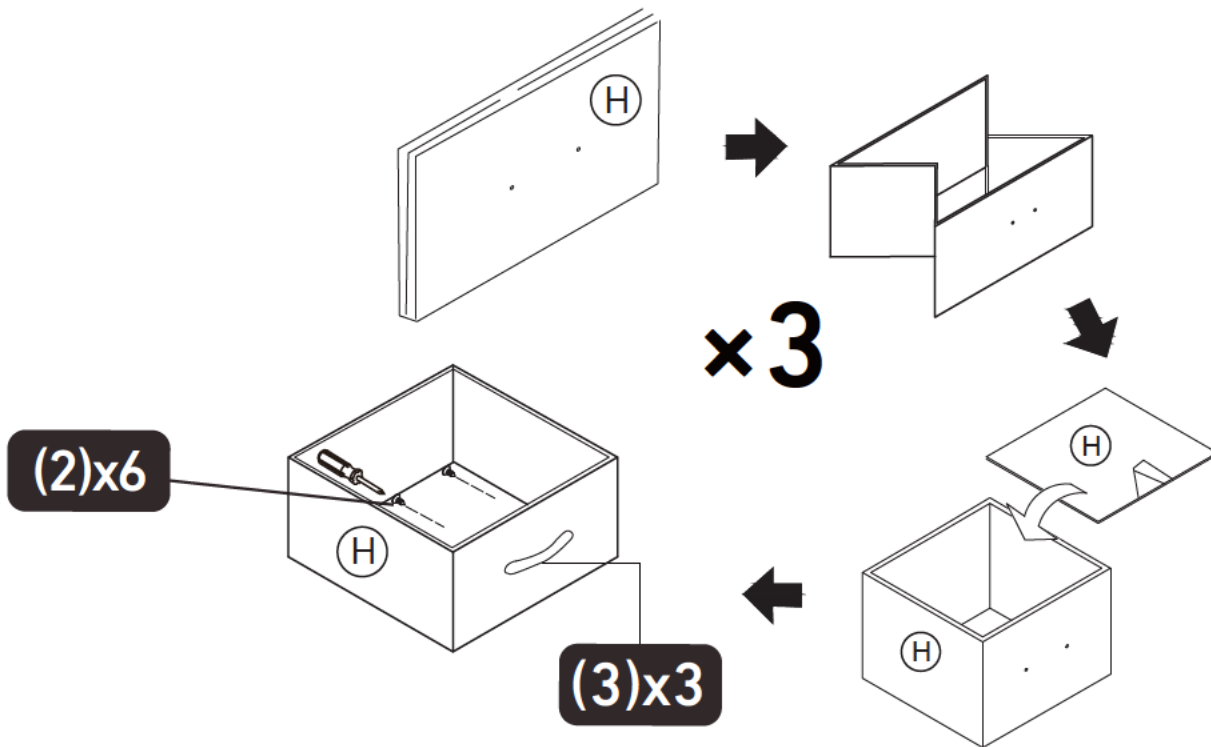
Install Cross Tube **(G)\*2** to the Frames **(B&C&E)** with Bolts **(1)\*6**.  
Then Install Adjusting Foot **(4)\*4** to the Side Frames **(B&C)**.

## Step 5



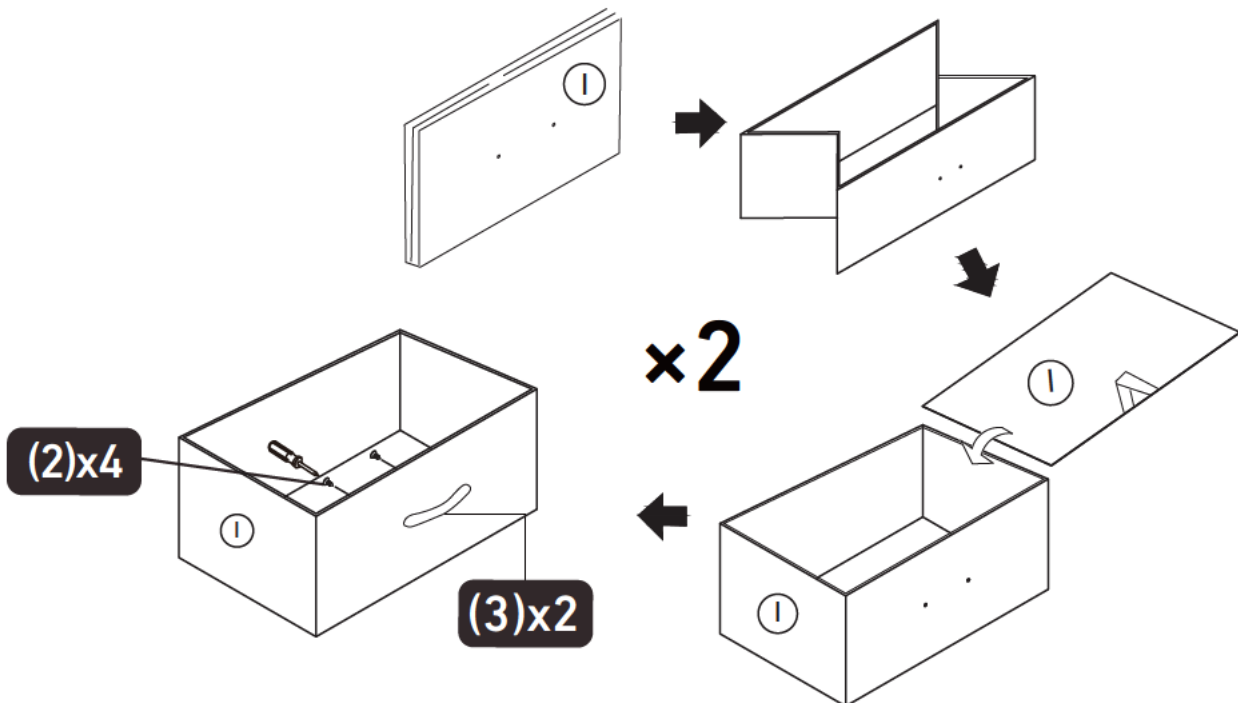
Turn the Dresser face up.

## Step 7



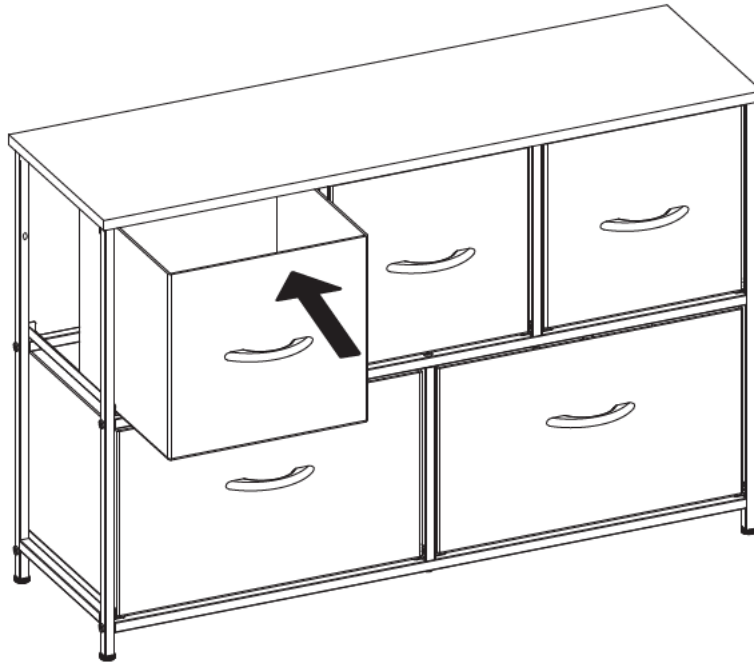
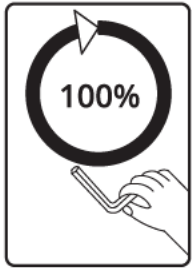
Place Base Board for Drawer (H) into the expanded Drawer (H), and install the Drawer Handle (3) with Bolts (2)\*2. Install the three Drawers (H)\*3 in the same way.

## Step 8



Install Drawer (I)\*2, Base Board for Drawer (I)\*2 and Drawer Handle (3)\*2 in the same way as in the previous step.

## Step 9

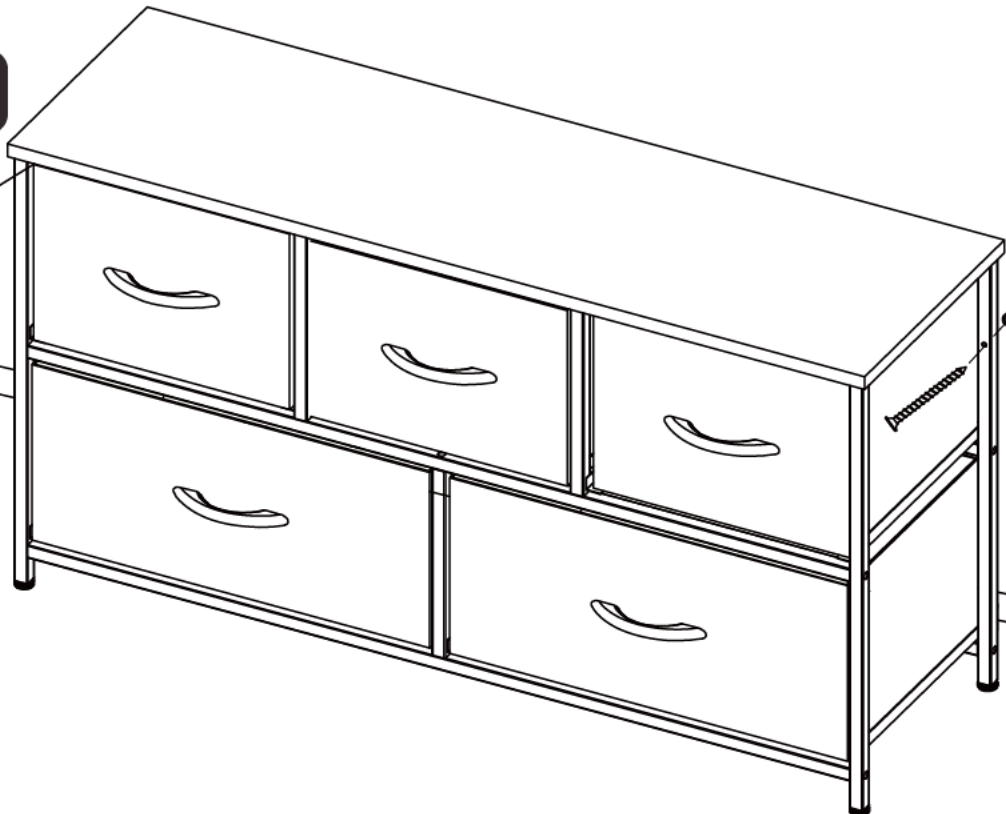


Place the installed Drawers into the Dresser.

**NOTE:** Make sure all Bolts are 100% tightened before use.

## Step 10

(5)x2



(5)x2

If you need to fix the Drawer Dresser to the wall, drill holes in the wall with an electric drill, then insert Expansion Tube (5)\*2 and fix the Drawer Dresser with Bolts (5)\*2.

