

INSTRUCTION MANUAL ENCLOSED

ATTENTION

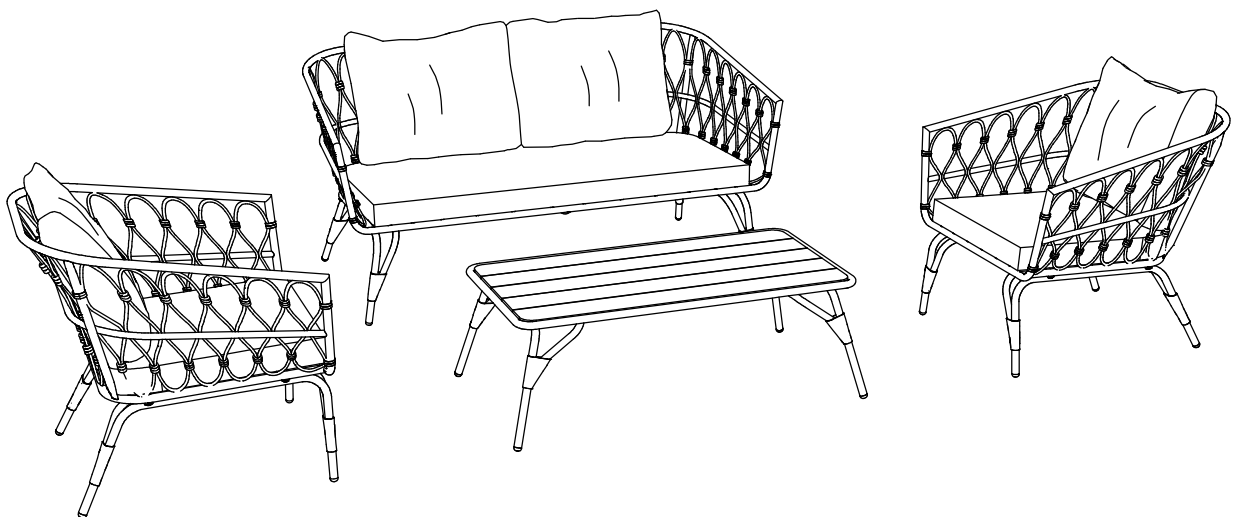
**IF YOU HAVE ANY PROBLEMS OR QUESTIONS, EMAIL OR CALL
CUSTOMER SERVICE BEFORE YOU RETURN THIS PRODUCT TO THE
STORE WHERE IT WAS PURCHASED.**

****When emailing Customer Service, please include your **Order Number** and **platform of purchase** in the email subject for quicker assistance.**

INSTRUCTION MANUAL ENCLOSED

4PCS LOOSE WEAVE SOFA SET

4PCS LOOSE WEAVE SOFA SET ASSEMBLY INSTRUCTION



PARTS LIST


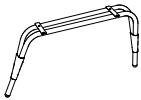
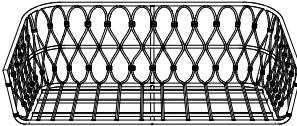
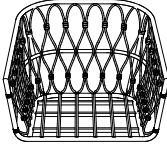
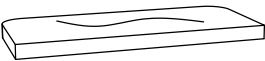

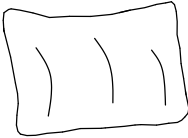
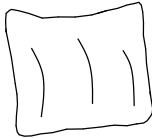
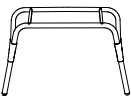
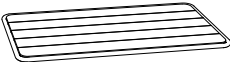

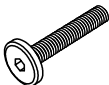

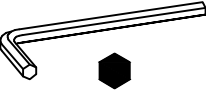
Part	Description	Quantity
------	-------------	----------

PARTS

1	Right leg frame	3
2	Left leg frame	3
3	Bench frame	1
4	Chair frame	2
5	Bench cushion	1
6	Chair cushion	2
7	Big pillow	2
8	Small pillow	2
9	Table legs frame	1
10	Polywood table top	1

HARDWARE

A	Bolt M6x15 mm	24
B	Bolt M6x35 mm	8
C	Washer Ø6x14x1 mm	32
D	Allen key 4x98 mm	2

<p>1</p>  <p>x3</p>	<p>2</p>  <p>x3</p>	<p>3</p>  <p>x1</p>	<p>4</p>  <p>x2</p>
<p>5</p>  <p>x1</p>	<p>6</p>  <p>x2</p>	<p>7</p>  <p>x2</p>	<p>8</p>  <p>x2</p>
<p>9</p>  <p>x2</p>	<p>10</p>  <p>x1</p>	<p>A</p>  <p>M6x15 mm</p> <p>x24</p>	<p>B</p>  <p>M6x35 mm</p> <p>x8</p>
<p>C</p>  <p>Ø6xØ14x1 mm</p> <p>x32</p>		<p>D</p>  <p>4 mm</p> <p>x2</p>	

PLEASE READ AND FOLLOW ALL SAFETY TIPS

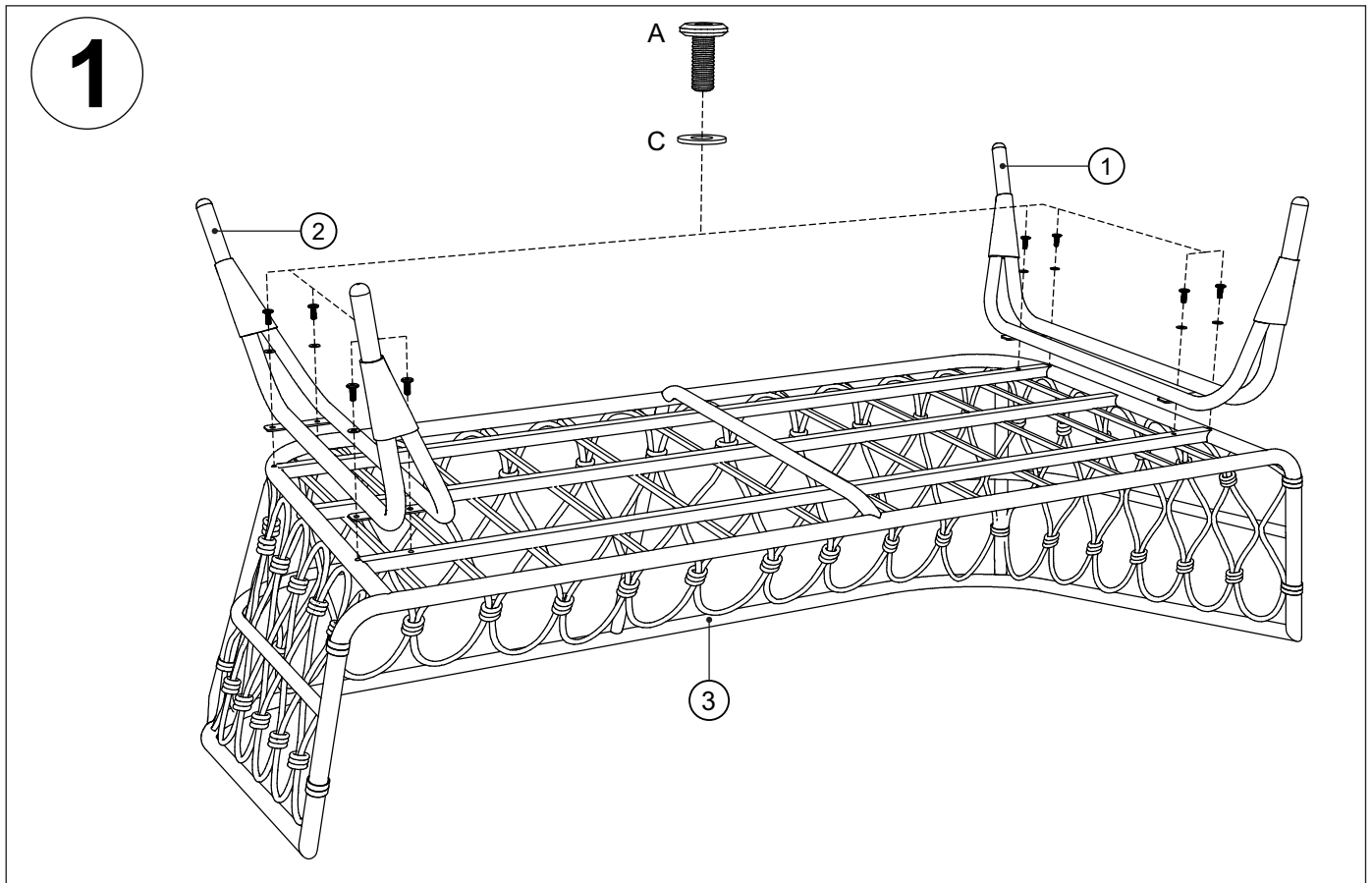
GETTING STARTED

1. Before assembly, CAREFULLY use scissors or utility knife to cut and unwrap all parts. Make sure you do not discard the hardware.
2. Make sure that you have all the parts listed. If you are missing any parts, please email us. Please identify the parts you need and model number. Make sure to include your name and address.
3. Please include your **Order Number** and **platform of purchase** in the email subject, and one of our customer service representative will get back to you.

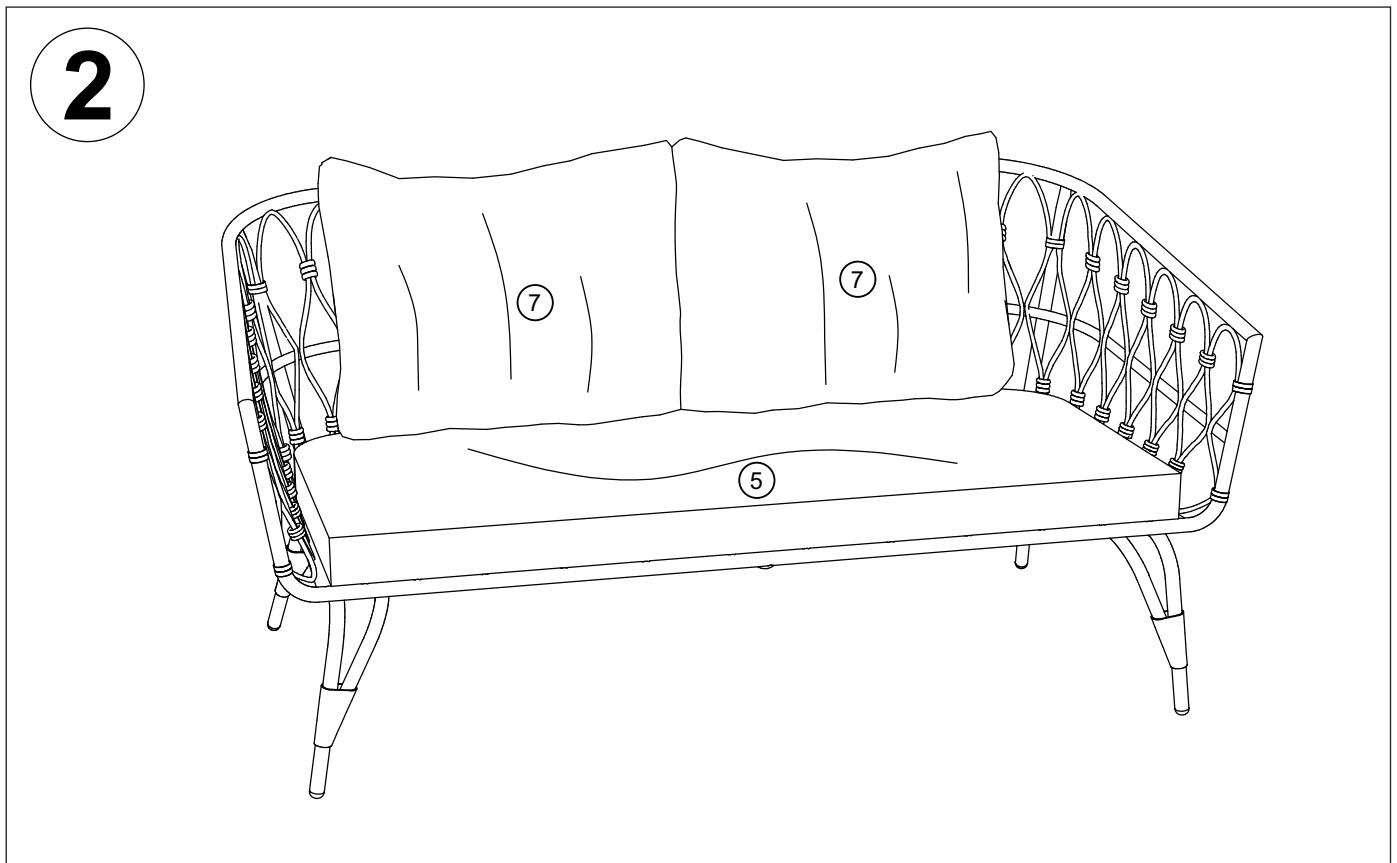
Warm Tips:

1. The plastic covers on some metal parts are just for product protection. Please remove it before assembly.
2. Please follow the sequence of A-I during assembly.
3. Do not tighten the screws until all of them are in right positions.

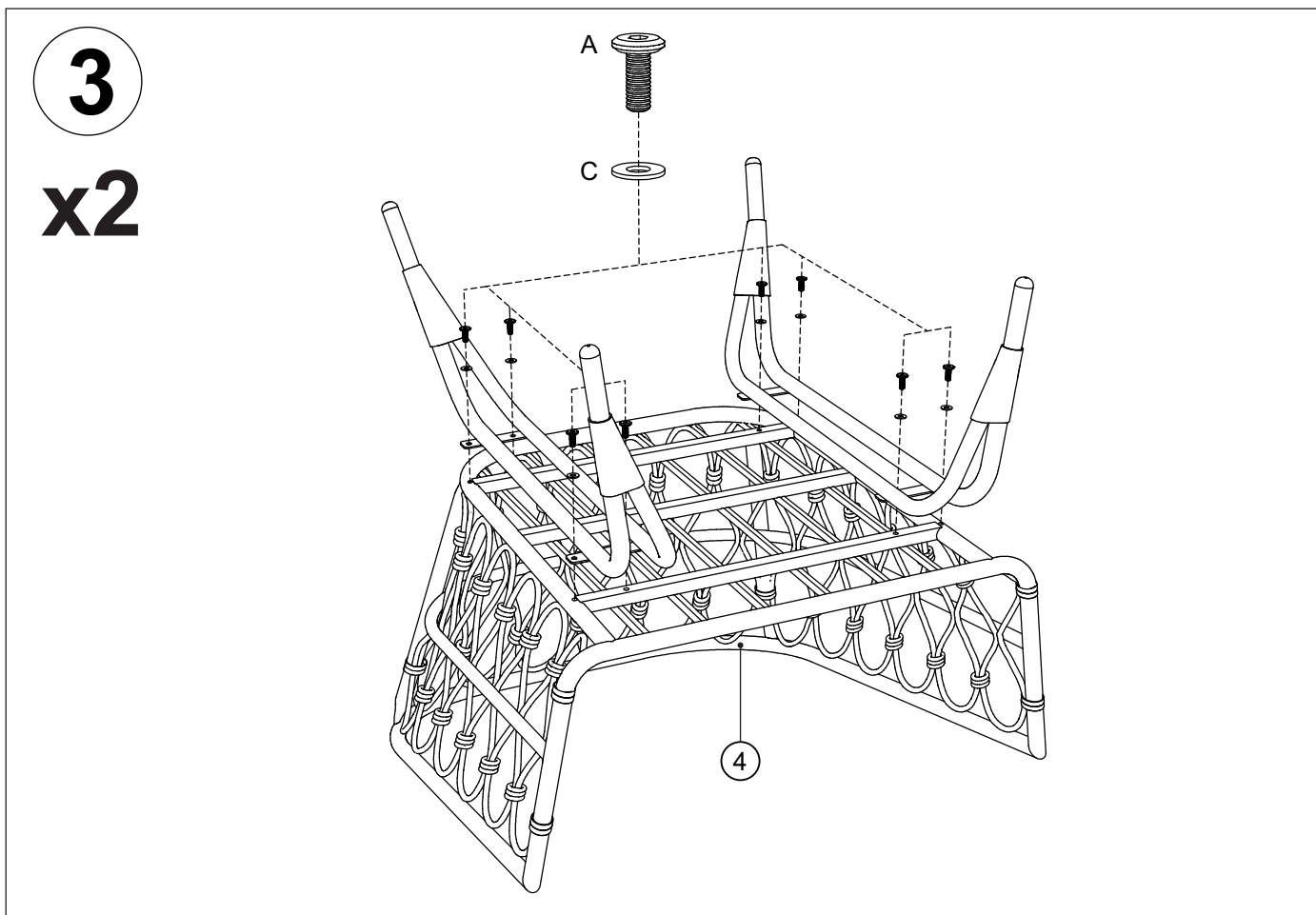
1. Locate the right leg frame (1) and left leg frame (2) to the bench frame (3) by the pre-drilled threads. Use Allen Key (D) to tighten Bolts (A) and washers (C).
Note: tighten all bolts 100% (Photo 1).



2. Place 1 bench cushion (5) on the top bench and then place 2 big pillows (7) above it (Photo 2).



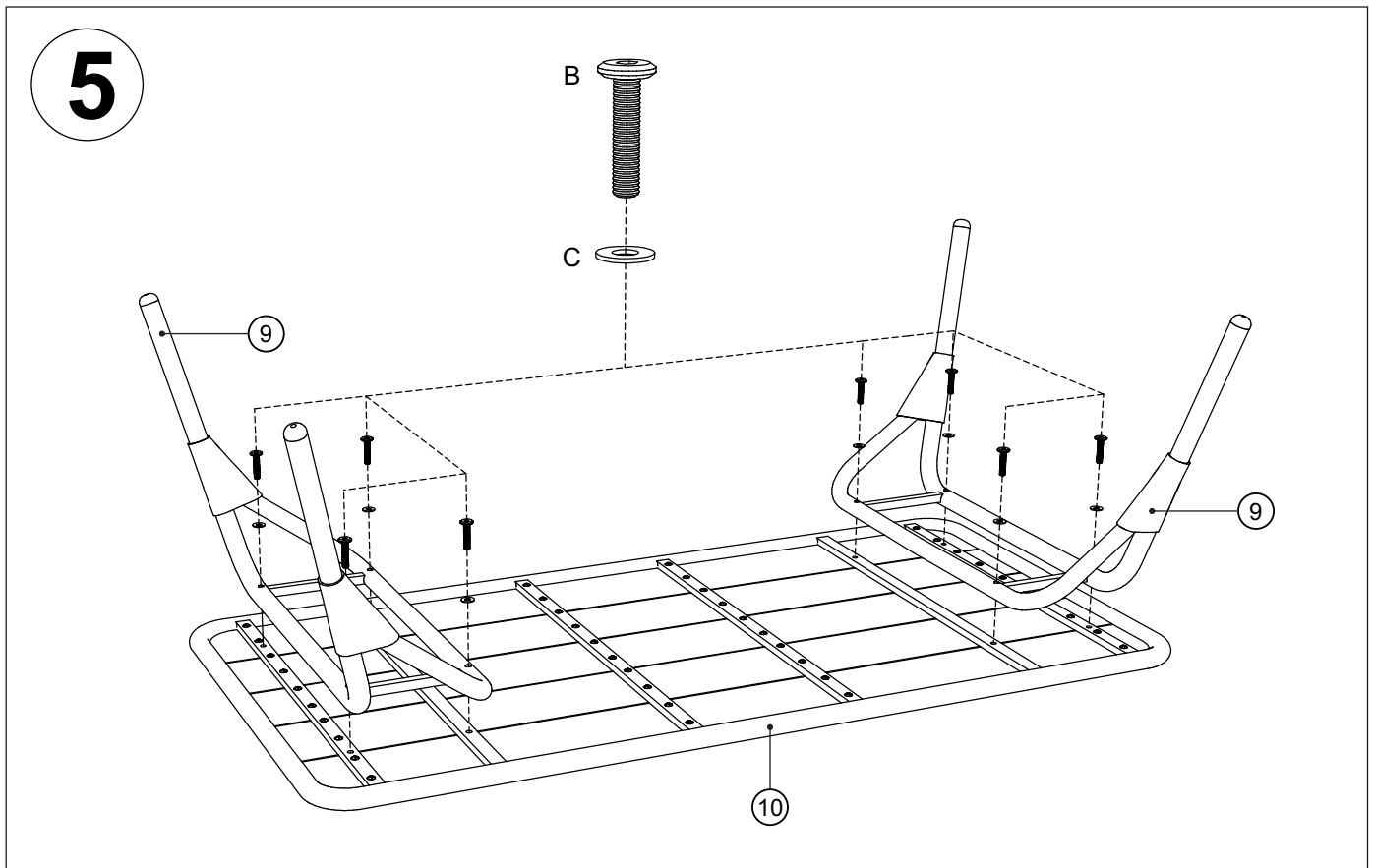
3. Locate the right leg frame (1) and left leg frame (2) to the chair frame (4) by the pre-drilled threads. Use Allen Key (D) to tighten Bolts (A) and washers (C).
Note: tighten all bolts 100% (Photo 3).



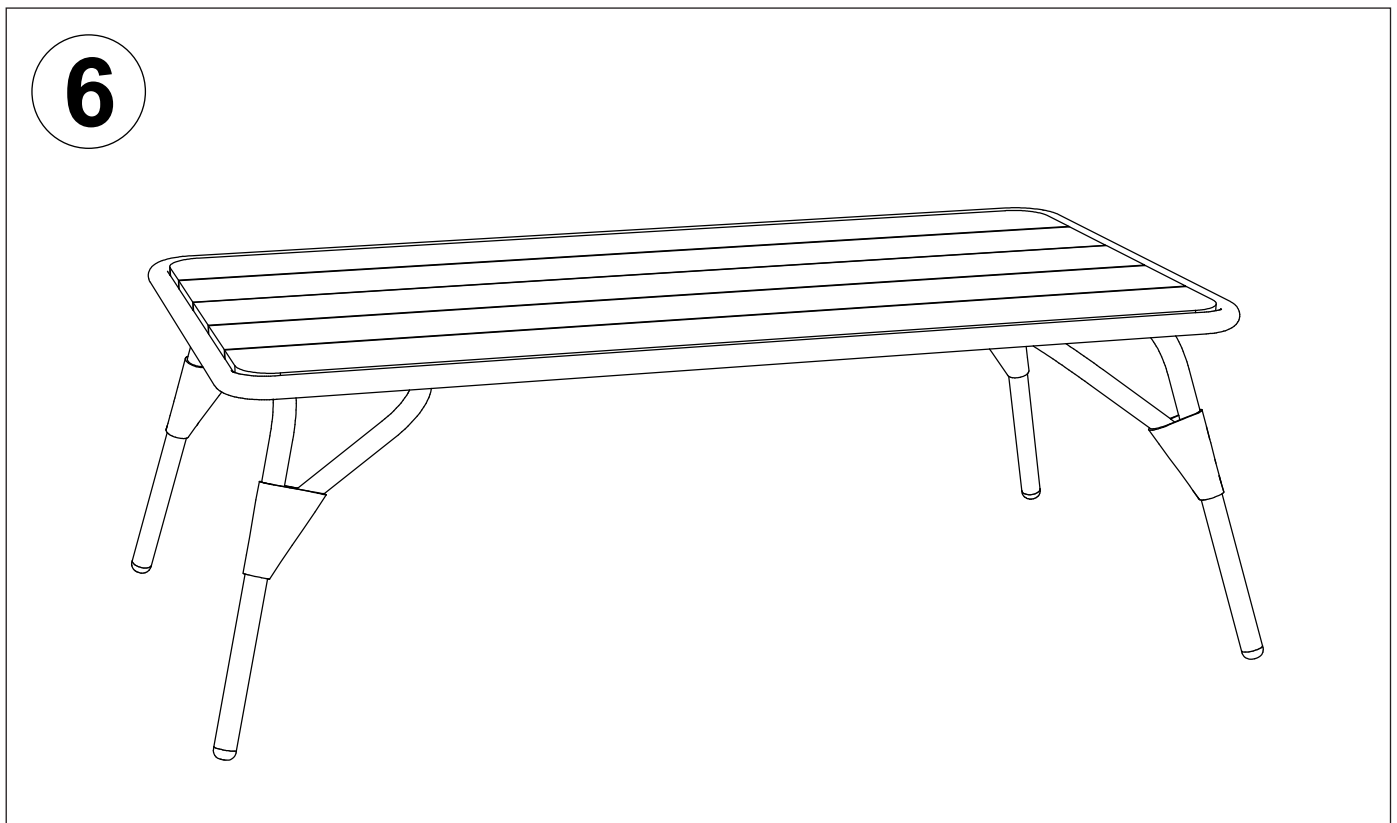
4. Place 1 chair cushion (6) on the top chair and then place 1 small pillow (8) above it (Photo 4).



5. Locate 2 table leg frames (9) to the Polywood table top (10) by the pre-drilled threads.
Use Allen Key (D) to tighten Bolts (B) and Washers (C).
Note: tighten all bolts 100% (Photo 5).



6. Completed chair assembly (Photo 6).



Till now you have finished the whole assembly and enjoy your furniture!