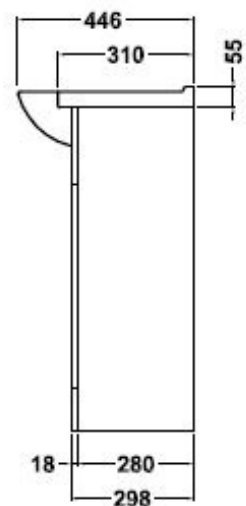
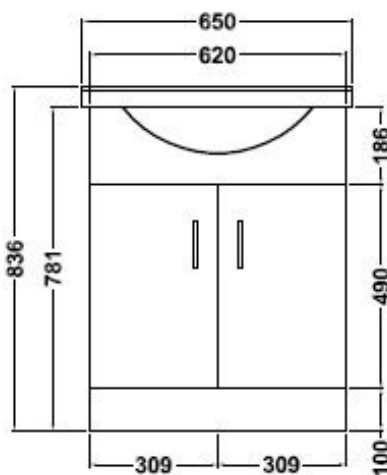


# CUSTOMER DATA SHEET

**DESCRIPTION:** High Gloss White 650 Basin Unit

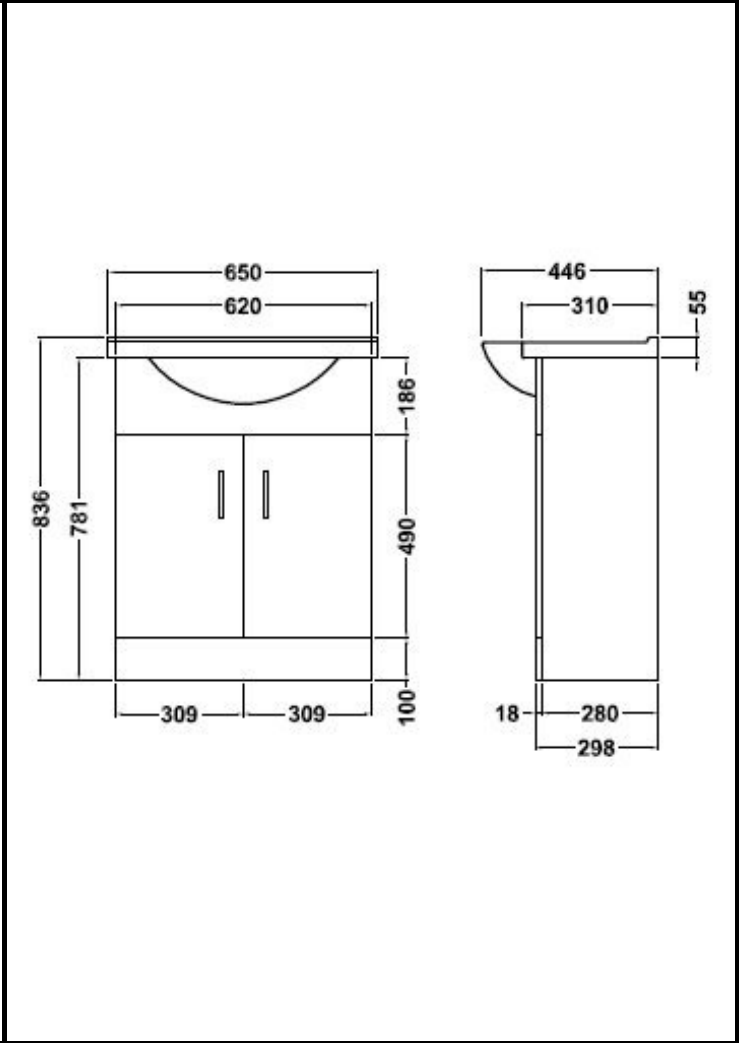


## CUSTOMER DATA SHEET - CERAMICS

<b>DESCRIPTION:</b>	White Vanity Unit (650 - Basin Only)												
<b>PRODUCT DIMENSIONS</b>						<b>PACKAGING DIMENSIONS</b>							
Height (mm)	Width (mm)	Depth (mm)	Nett Wgt Kg	Height (mm)	Width (mm)	Depth (mm)	Gross Wgt Kg						
446	650	185	16.4	465	195	670	16.4						
<b>PACKAGING DATA</b>						<b>OUTER BOX DIMENSIONS (If Applicable)</b>							
Box Colour	Brown Cardboard Box - Printed					Height (mm)	Width (mm)	Depth (mm)	Gross Wgt Kg				
Box Qty	1	Label Colour	Not Applicable										
Label Size	100 x 50	Label Qty	0										
<b>PRODUCT DETAILS</b>													
Country of Origin	China					Certification	CE	No	WRAS	N/A	WRAS Number	N/A	
Fitting Instruction	No					Product Material	Vitreous China						
<b>PANS/BIDETS</b>						<b>CISTERNS</b>							
Trap Style	Not Relevant	Includes Seat	N/A			Fittings	Not Applicable		Operating Type	Not Applicable			
						Lever Type	Not Applicable						
<b>SEAT</b>						<b>BASINS</b>							
Type	Not Applicable	Function	Not Applicable			Tap Hole	One Taphole		Chain Stay Hole	No			
Material	Not Applicable					Template	Not Required		Waste Type Req'd	Slotted			
Hinge Type	Not Applicable	Hinge Material	Not Applicable			Overflow Incl.	Yes		Overflow Cover	Yes			
<b>GENERAL</b>													
Fixing Supplied	No												

# CUSTOMER DATA SHEET - FURNITURE

**DESCRIPTION:** 650 Pr Std Basin Unit



PRODUCT DIMENSIONS			
Height (mm)	Width (mm)	Depth (mm)	Nett Wgt Kg
781	620	298	19.5

PACKAGING DIMENSIONS			
Height (mm)	Width (mm)	Length (mm)	Gross Wgt Kg
325	645	815	19.5

PACKAGING DATA			
Box Colour	Brown Cardboard Box - Printed		
Box Qty	1	Label Colour	Not Applicable
Label Size	100 x 50	Label Qty	0

OUTER BOX DIMENSIONS (If Applicable)			
Height (mm)	Width (mm)	Depth (mm)	Gross Wgt Kg

PRODUCT DETAILS				
Country of Origin	China			
Fitting Instruction	No			
Constr' Method	Cam & Wood Dowel			
Cabinet Finish	MFC Painted Gloss			
Cab Thickness (mm)	16			
Cab Edging (mm)				
Drawer Included	No			
No of Shelves	1			
Hinge Inc'	Yes			
Fixings Inc'	No			
Handle Inc'	Yes			
Handle Type	D-Shape			
Certification	FSC	Yes	CE	N/A
Colour	Gloss White			
Constr' Type	Rigid			
Fascia Finish	Mdf Painted			
Fas Thickness (mm)	18			
Fas Edging (mm)				
Drawer Type	Not Applicable			
Hinge Type	95 Degree Clip-On Soft Close			
Adjustable Legs	No			
Handle Style	Modern			
Waste Shroud	No			