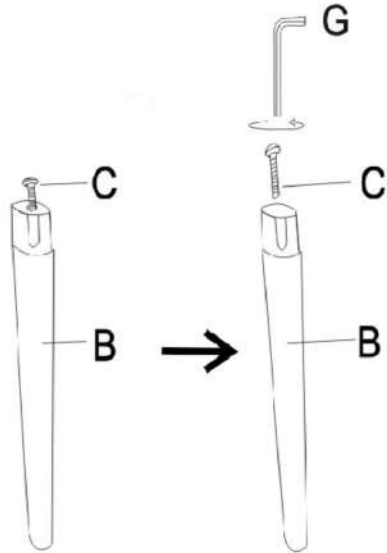


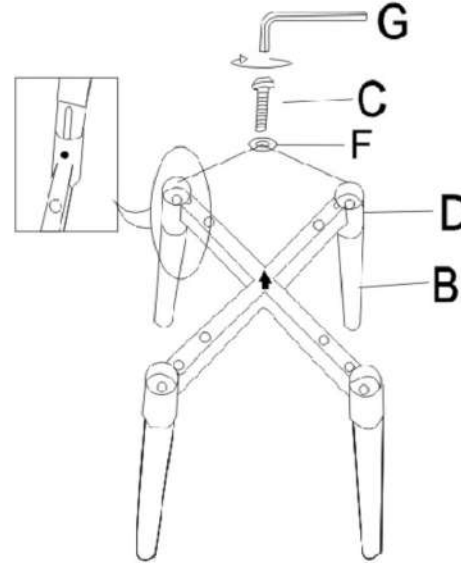
ASSEMBLY INSTRUCTION

ASSEMBLY PROGRAM

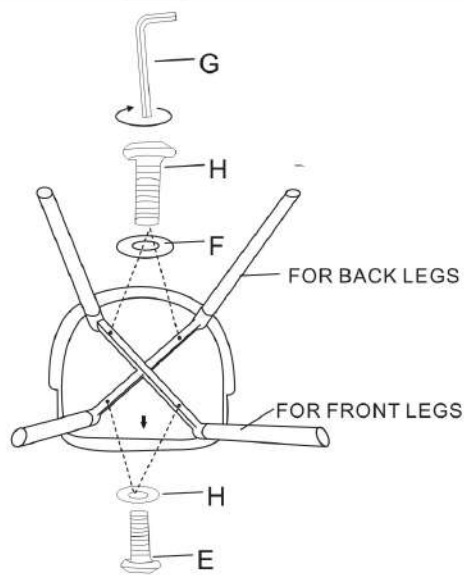
1



2



3



4



you can adjust to keep flat.

PARTSxQTY

Ax1



Fx8



Bx4

Cx4

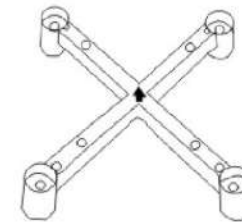
M6X40MM



Gx1



Dx1

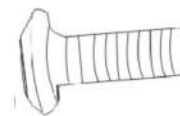


Hx2



M6X50MM

Ex2



M6X45MM