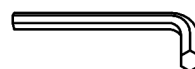


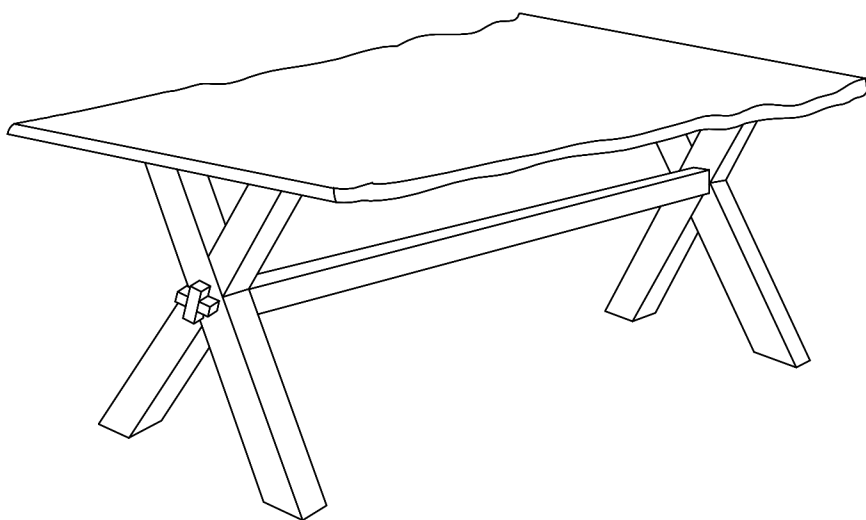
ASSEMBLY INSTRUCTIONS

TOOLS REQUIRED



Allen Wrench

(Included)



**2 - Persons
Recommended**

ASSEMBLY RATING



EASY → DIFFICULT

The Assembly Rating is a 5-point system showing the level of effort needed to assemble a specific product.



CHECK BEFORE STARTING



Are you missing anything?

Double-check all parts, hardware and accessories listed on Page 6 are accounted for.



Check out our Quick Tips!

We recommend reviewing the pre-assembly handouts. Even experts need a refresher now and then!

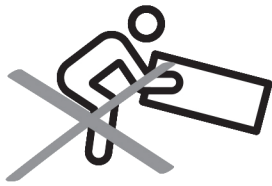


Prep Time!

Please review the assembly instructions and all diagrams prior to assembling. Arrange parts as recommended on Page 7 and group identical hardware together to make assembling easier.

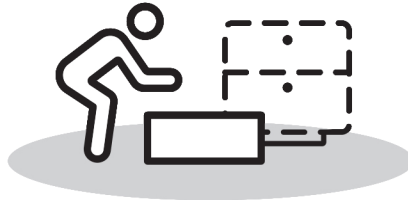
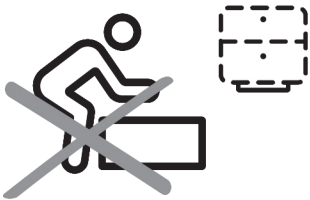
PRE ASSEMBLY INTRODUCTION

We understand building ready-to-assemble furniture can be a challenging experience for some. To help avoid confusion, we have provided some helpful tips that may speed up the process.



Teamwork

ALWAYS have at least two people to help with transporting and assembling the product to avoid potential injury and/or damage.



Suitable Location

Assembling near the area of the intended location is highly recommended.



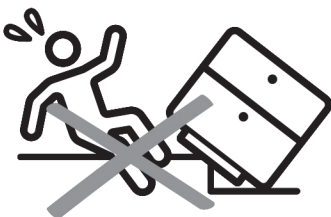
Sufficient Space

Make sure you have enough space to move around during the assembly.



Avoid Scratches

Use cardboard, blankets or a carpeted area while assembling furniture to prevent scratches.



Flat Surface

Make sure the furniture rests on a flat and level surface with each leg evenly touching the floor.

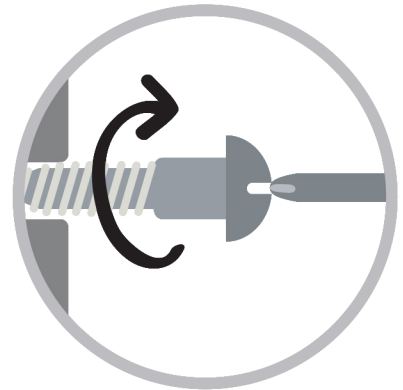
ASSEMBLY AND CARE ADVICE



FAILURE TO FOLLOW THE GUIDELINES BELOW MAY RESULT IN INJURY AND/OR PROPERTY DAMAGE.



Position each part correctly and insert screws or bolts into their respective holes.



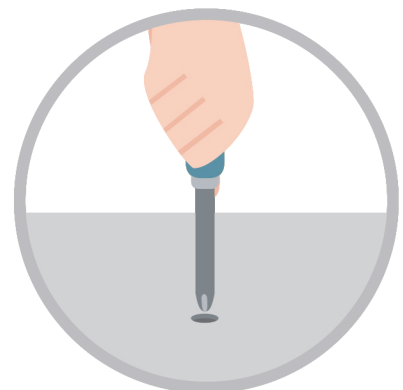
Turn clockwise to tighten and only tighten when step is completed or when instructed to do so.



Use the appropriate hand tools or power tools for assembly. Select steps, such as tightening screws and/or bolts, may require hand tools to avoid causing damage during assembly.



Save the instructions and store any supplied tools for later maintenance.



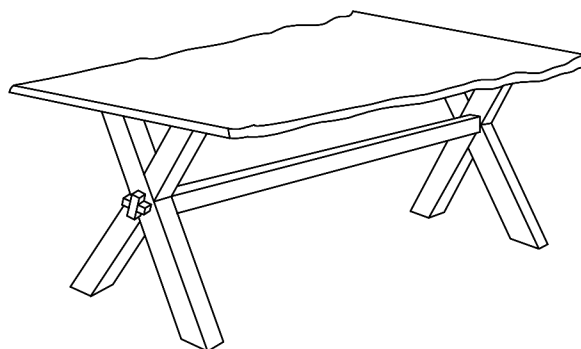
After two weeks, check and tighten any loose hardware and repeat again every six months thereafter.

IT IS THE USER'S RESPONSIBILITY TO MAINTAIN THE FURNITURE. THE HARDWARE MAY LOOSEN OVER TIME AND MAY CAUSE THE FURNITURE TO BE WOBBLY AND UNABLE TO SUPPORT ITS INTENDED WEIGHT CAPACITY. THIS MAY LEAD TO COLLAPSE AND MAY CAUSE SERIOUS INJURY.

COFFEE TABLE



- Please keep instructions for future reference.
- Check the quantity and irregularity of parts and hardware before you start.



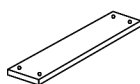
PARTS

#1 1pc



TABLE TOP

#2 2pcs



MOUNTING PLATE

#3 2pcs

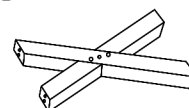
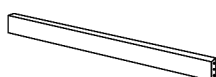


TABLE LEG

#4 1pc



CROSS BAR

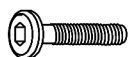
#5 2pcs



STOPPER

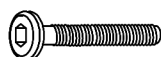
HARDWARE

#A 16pcs



JCBC BOLT
M6 x 35mm

#B 2pcs



JCBC BOLT
M6 x 60mm

#C 18pcs



M6 SPRING WASHER

#D 4pcs



WOOD DOWEL
M8 x 35mm

#E 1pc



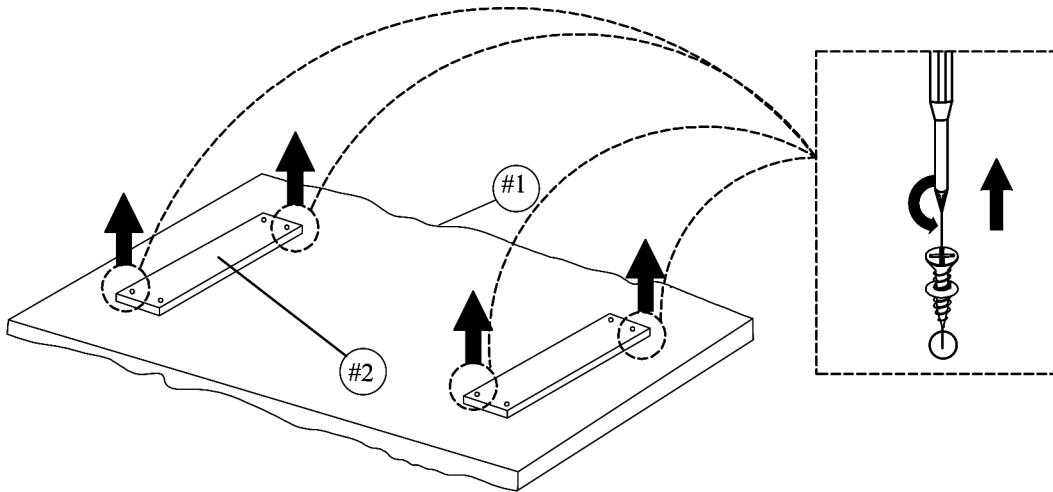
ALLEN WRENCH

ASSEMBLY INSTRUCTIONS

1

Remove mounting plate (#2) from table top (#1)

Part (#1) x 1pc



2

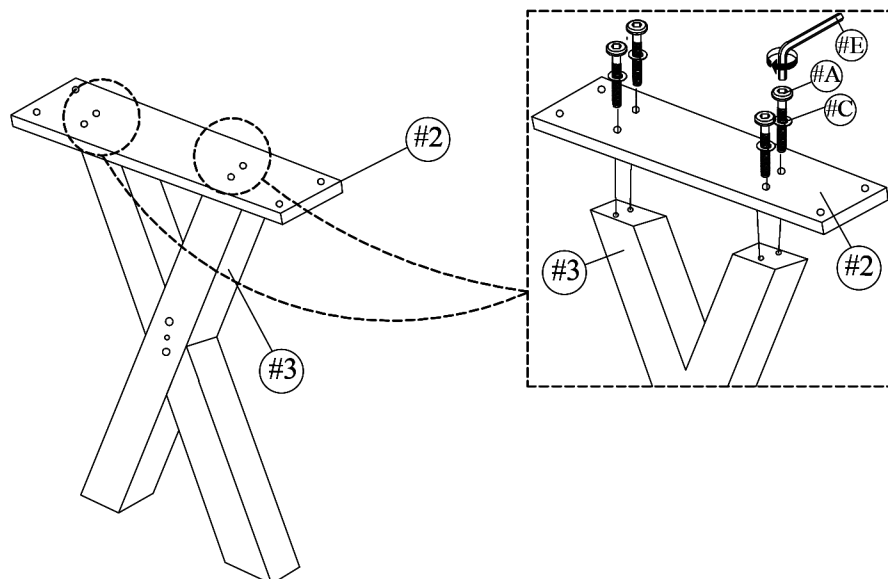
Part (#2) x 2pcs

Part (#3) x 2pcs

Hardware (#A) x 8pcs

Hardware (#C) x 8pcs

Align mounting plate (#2) to the legs (#3), then secure by using bolts (#A) with washers (#C).



x 2

ASSEMBLY INSTRUCTIONS

Attach dowels (#D) to the ends of the cross bar (#4), then align legs (#3) to the cross bar (#4). Secure by using bolts (#B) with washers (#C).

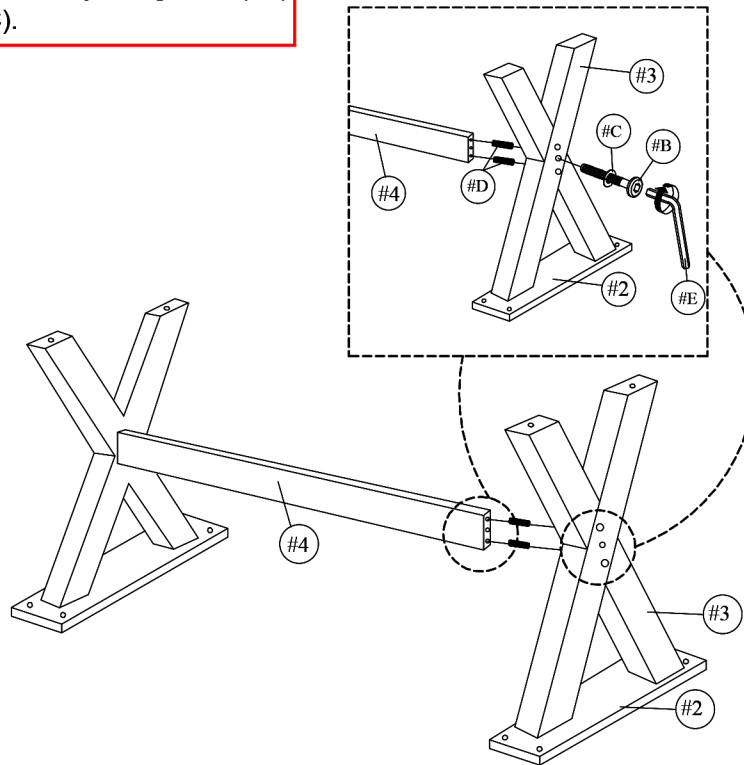
3

Part (#4) x 1pc

Hardware (#B) x 2pcs

Hardware (#C) x 2pcs

Hardware (#D) x 4pcs



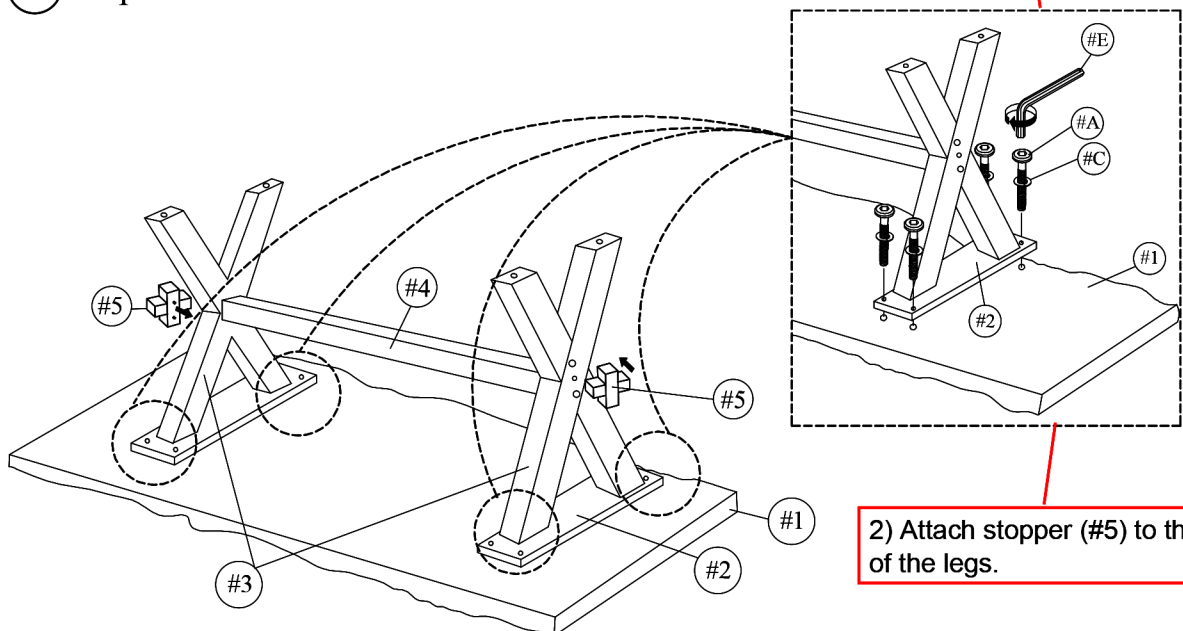
4

Part (#5) x 2pcs

Hardware (#A) x 8pcs

Hardware (#C) x 8pcs

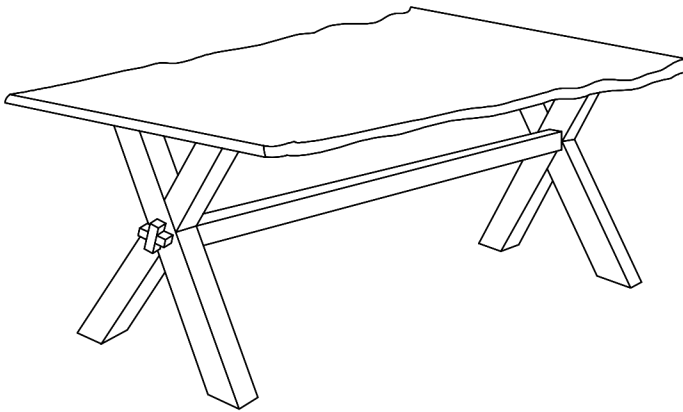
1) Align mounting plate (#2) to the top (#1), then secure by using bolts (#A) with washers (#C).



2) Attach stopper (#5) to the side of the legs.

ASSEMBLY INSTRUCTIONS

5



ASSEMBLY COMPLETED



Please ensure the furniture rests on an even and flat surface. If the product wobbles or feels loose, double-check all bolts and/or screws are properly tightened and secured.



Keep this handy!

Please retain this instruction manual and any order-related information for future reference.



Lift, don't drag!

To avoid damage to product please always LIFT the product when transporting or adjusting the placement.