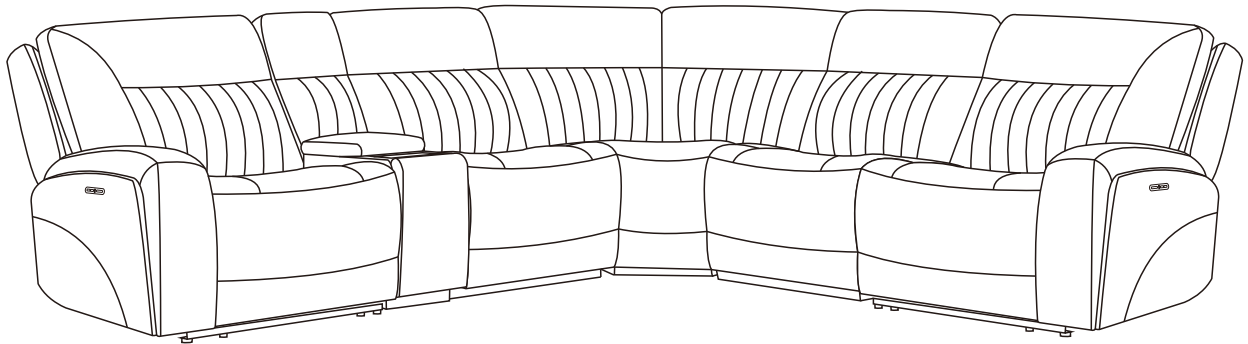


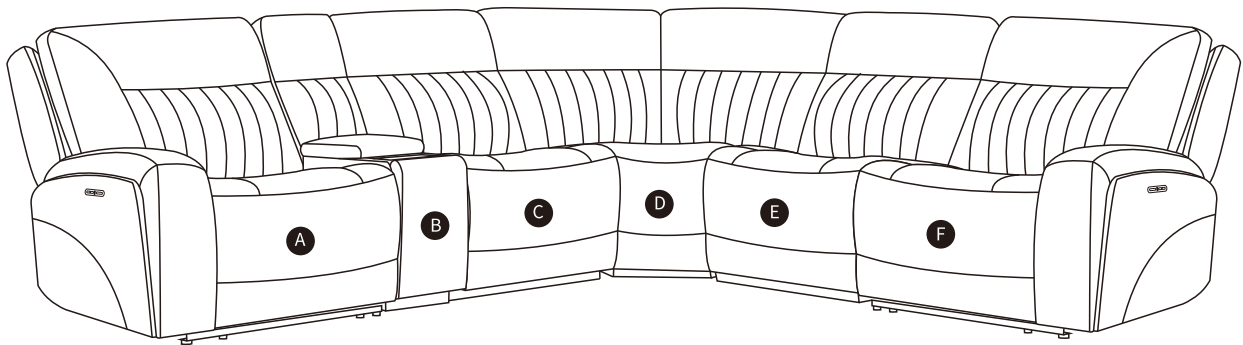
6 PCs Power Reclining Sectional KM.888B Assembly Manual



 **CAUTION**

THIS ASSEMBLY MANUAL CONTAINS IMPORTANT SAFETY INFORMATION.
PLEASE READ AND KEEP FOR FUTURE REFERENCE.

COMPONENTS

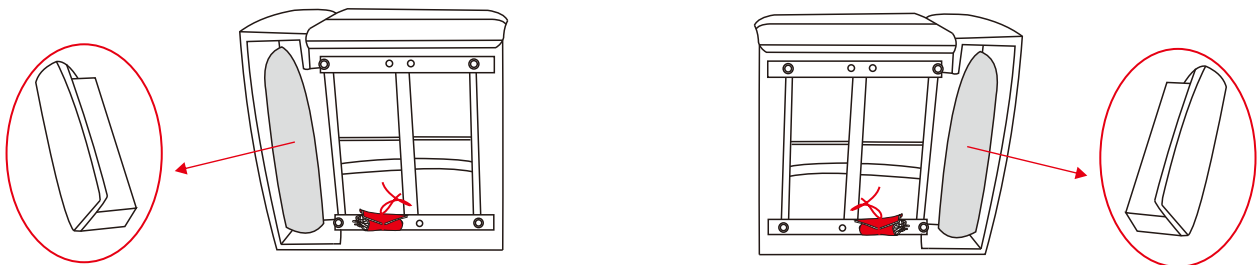


- Ⓐ Left-arm sofa
- Ⓑ Coee table
- Ⓒ Armless sofa-1
- Ⓓ Corner sofa
- Ⓔ Armless sofa-2
- Ⓕ Right-arm sofa

ASSEMBLY

Step 1

Take out back ears located at the bottom of both Left-arm sofa and Right-arm sofa.

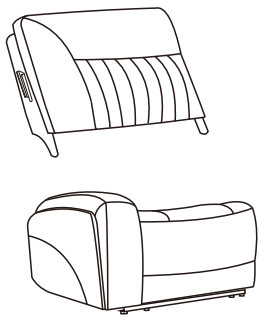


Ⓐ Left-arm sofa

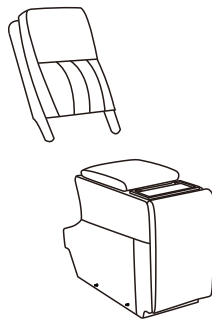
Ⓕ Right-arm sofa

Step 2

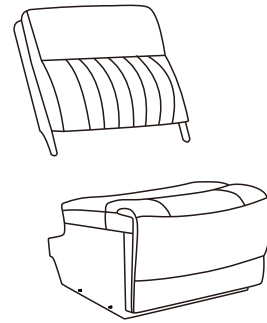
Align backrests and bases by fastening the connectors for each component.



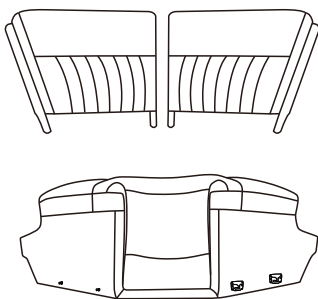
A Left-arm sofa



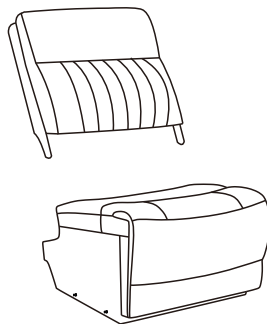
C Armless sofa



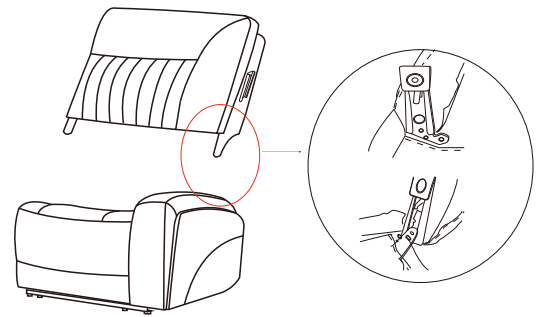
D Corner sofa



E Armless sofa

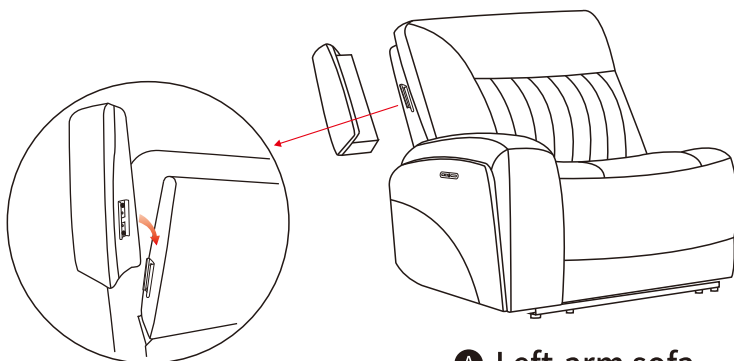


F Right-arm sofa

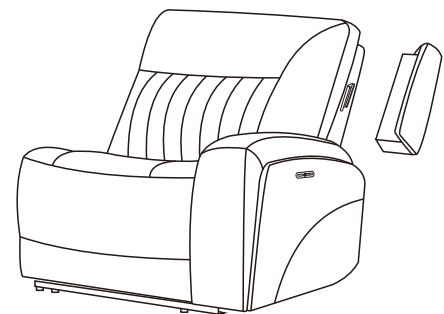


Step 3

Insert the backrest ears into the slots and slide them down into place.



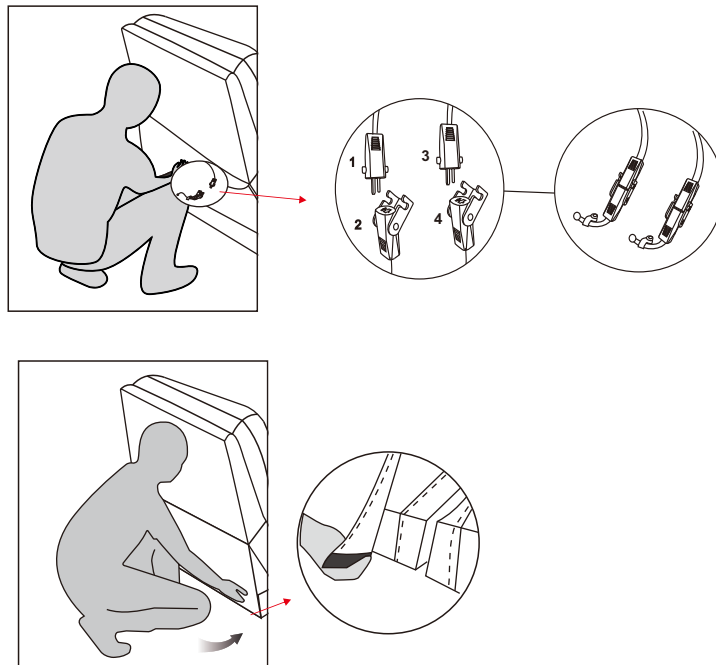
A Left-arm sofa



F Right-arm sofa

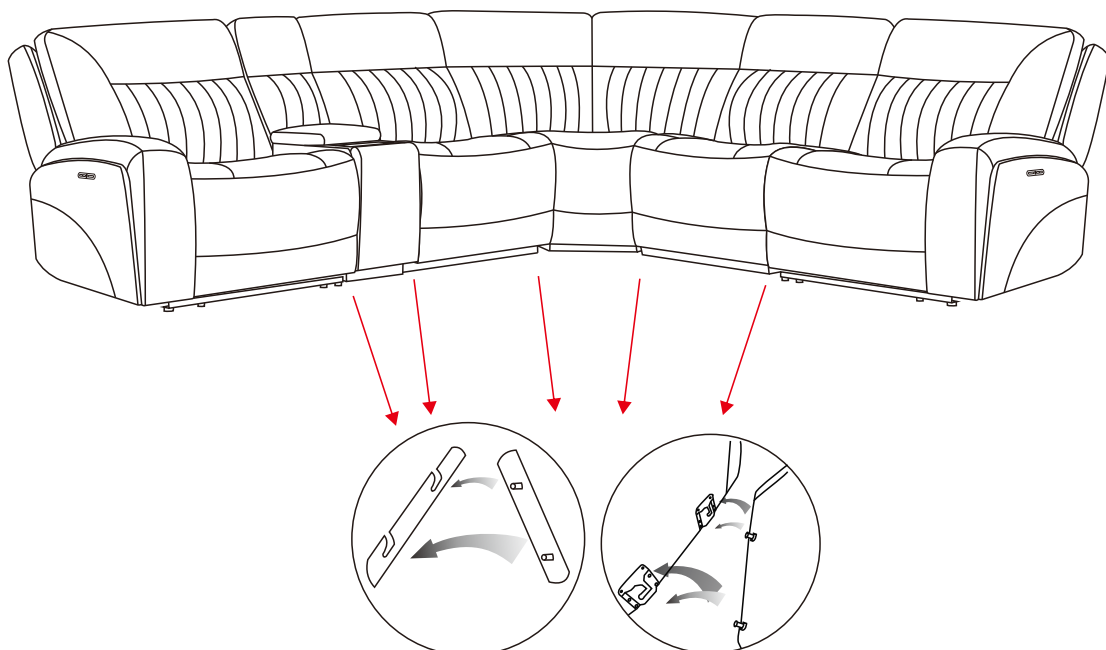
Step 4

Connect the wires between backrests and seat cushions, and attach the Velcro to the back seal.



Step 5

Group each components by aligning the connectors firmly.



Step 8

Connect one end of the power cord into the DC adaptor located at the back of the seat. Plug the other end of power cord into the power outlet.

