

ASSEMBLY INSTRUCTION

Thank you for purchasing this quality product. Be sure to check all packing material carefully for small parts which may have come loose inside the carton during shipment. Separate, identify and count all parts and hardware. Compare with the parts list to be sure all parts are present.

IMPORTANT : PLEASE READ INSTRUCTION BEFORE STARTING THE ASSEMBLY.

"DO NOT TIGHTEN SCREWS UNTIL COMPLETELY ASSEMBLED"

"DO NOT OVERTIGHT ANY HARDWARE"

WARNING : SMALL PARTS AND HARDWARE NOT FOR CHILDREN UNDER 3 YEARS. ADULT ASSEMBLY REQUIRED.

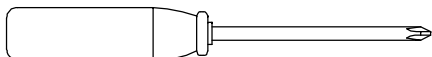
TABLE OF CONTENTS

HARDWARES LIST	PAGE 2 - 3
PARTS LIST	PAGE 3 - 4
PARTS' LOCATION	PAGE 5
ASSEMBLY STEPS	PAGE 6 - 19
ASSEMBLY COMPLETED	PAGE 19
ANTI-TIPPING INSTALLMENT INSTRUCTIONS	PAGE 20
PAY ATTENTION ITEMS	PAGE 21

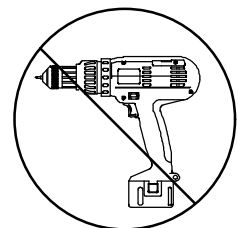
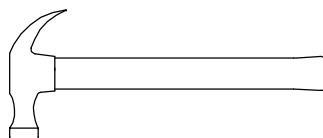
ASSEMBLY TOOLS REQUIRED

Skip the power trip this time.

1. Screwdriver (not provide)





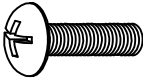
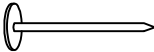
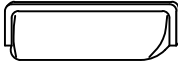
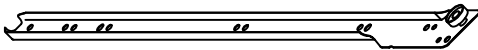
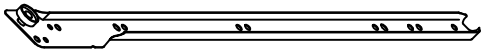


2. Hammer (not provide)





ASSEMBLY INSTRUCTION

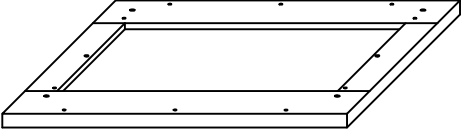
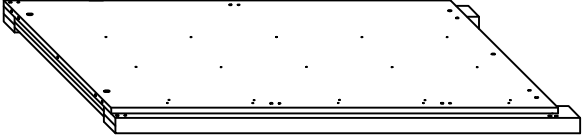
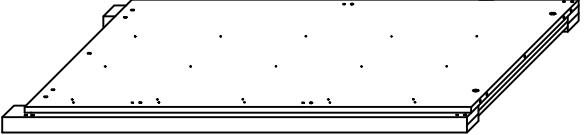
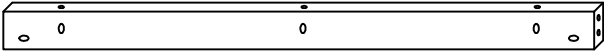
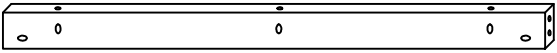
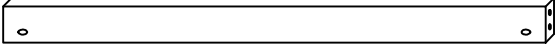
HARDWARES LIST

ITEM	DESCRIPTION	DRAWING	QTY
A	MINIFIX CAM LOCK		59 PCS
B	MINIFIX CAM BOLT		59 PCS
C	WOOD DOWEL (M8 x 25MM)		24 PCS
D	WOOD DOWEL (M6 x 25MM)		40 PCS
I	TRUSS M-SCREW (12MM)		10 PCS
J	6/8" NAIL		14 PCS
K	HANDLE		5 PCS
L	LEFT DRAWER SLIDE		5 PCS
M	RIGHT DRAWER SLIDE		5 PCS


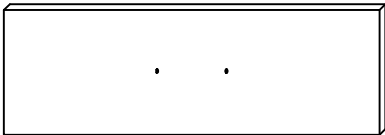
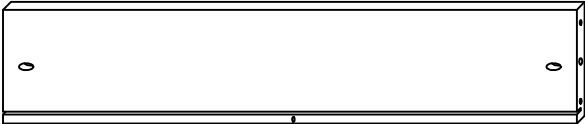


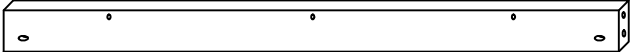
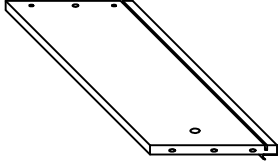
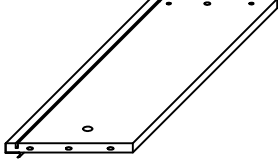
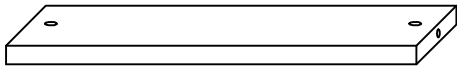
HARDWARES LIST

ITEM	DESCRIPTION	DRAWING	QTY
N	CSK SCREW M3 x 10mm		40 PCS
O	PLASTIC STRIP (H SHAPE)		1 PC

PARTS LIST

ITEM	DESCRIPTION	DRAWING	QTY
C1	TOP PANEL		1 PC
C2	LEFT PANEL		1 PC
C3	RIGHT PANEL		1 PC
C4	FRONT TOP SUPPORT RAIL		1 PC
C5	BACK TOP SUPPORT RAIL		1 PC
C6	CENTRE SUPPORT RAIL		3 PCS

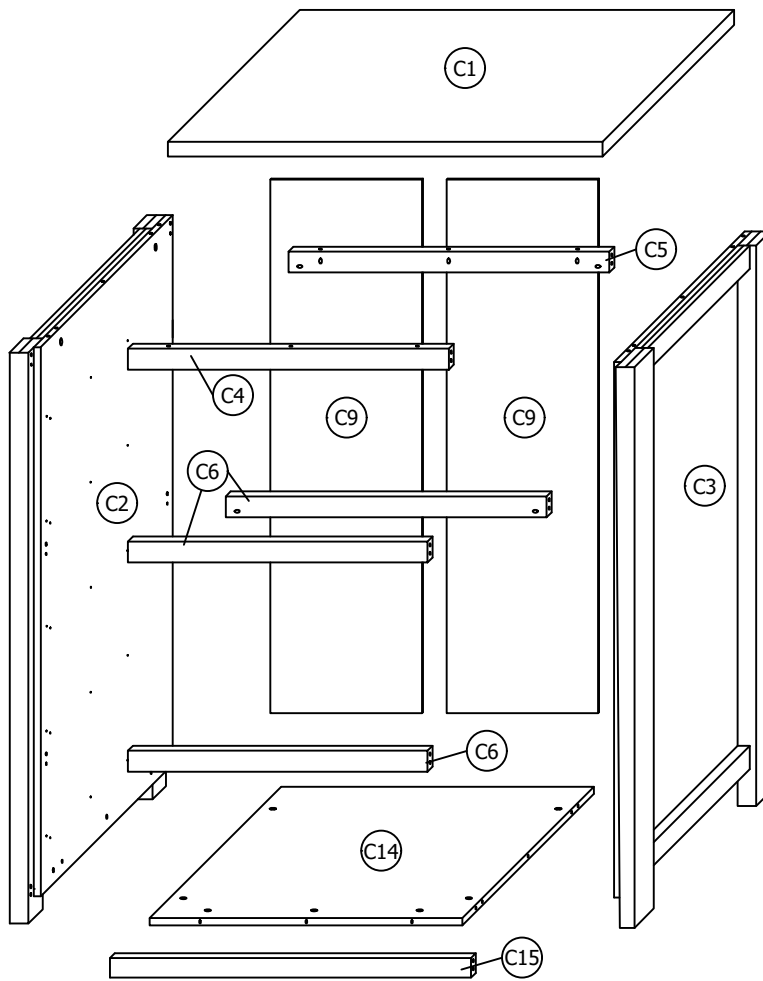
PARTS LIST

ITEM	DESCRIPTION	DRAWING	QTY
C9	BACK PANEL		2 PCS
C10	DRAWER HEAD		5 PCS
C11	DRAWER BACK PANEL		5 PCS
C12	DRAWER BOTTOM PANEL		5 PCS
C14	BOTTOM PANEL		1 PC
C15	BOTTOM SUPPORT RAIL		1 PC
19	DRAWER LEFT PANEL		5 PCS
20	DRAWER RIGHT PANEL		5 PCS
21	DRAWER BOTTOM SUPPORT RAIL		5 PCS

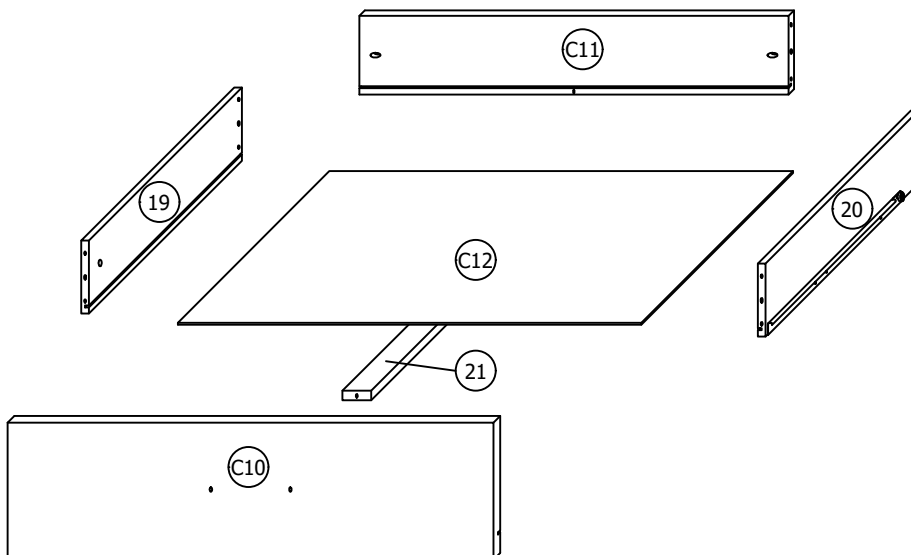
MORE PARTS DETAIL IN NEXT PAGE...

PARTS ' LOCATION

CHEST x 1 PC



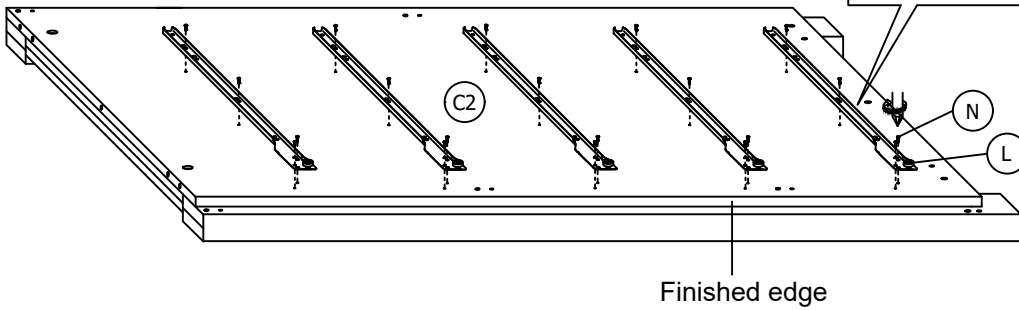
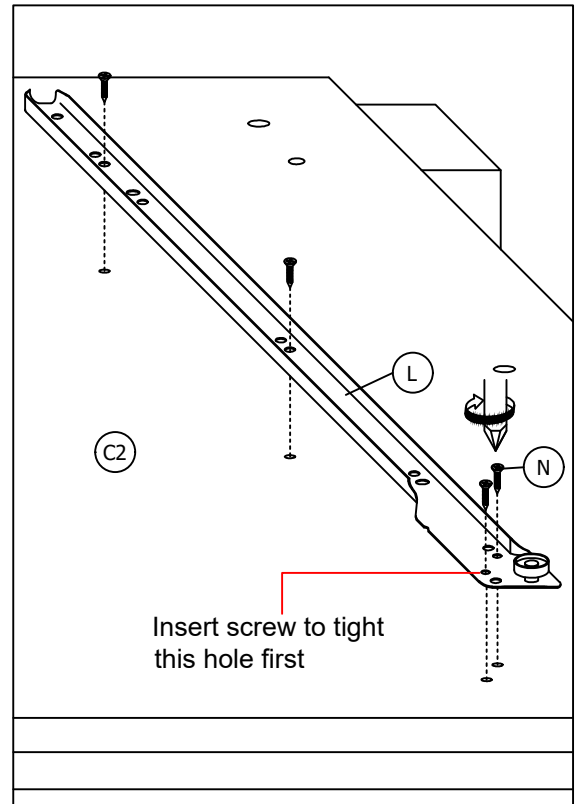
DRAWER x 5 PCS



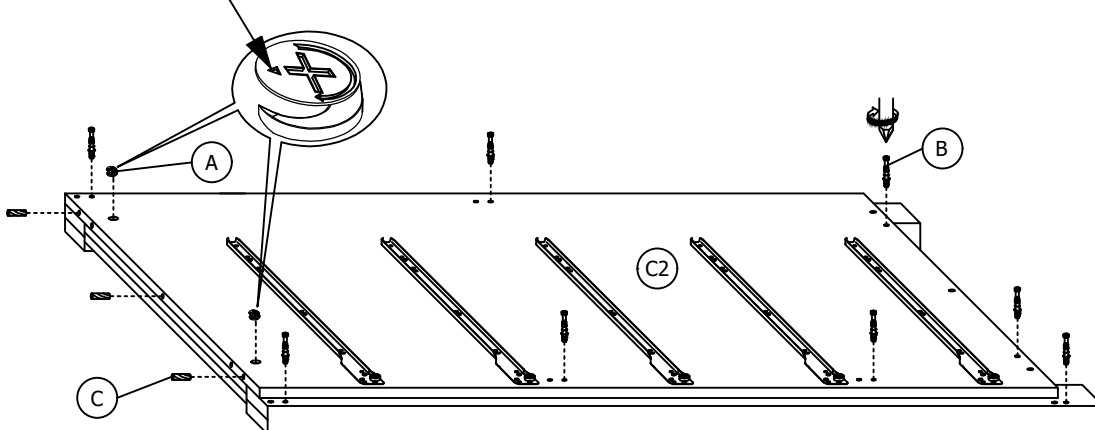
ASSEMBLY STEPS

STEP 1

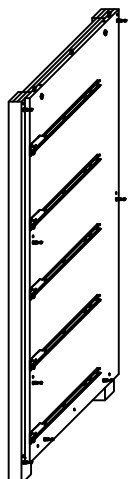
Fix the 5 pieces (L) to the (C2) by using 20 pieces (N). Then insert 2 pieces (A), 8 pieces (B) and 3 pieces (C) as shown.



Arrow need to face outside.

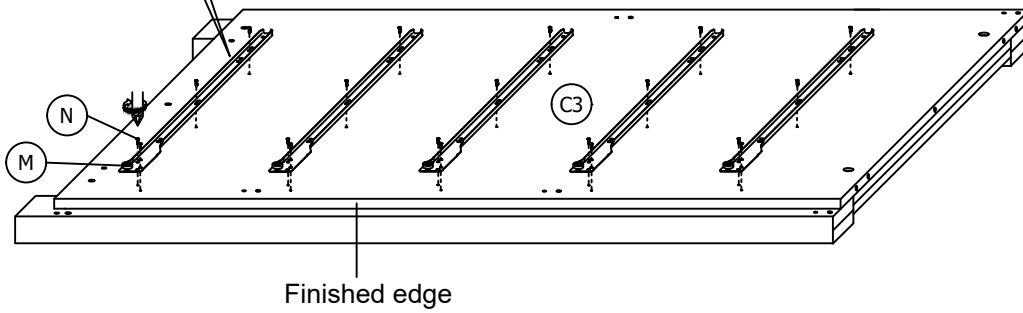
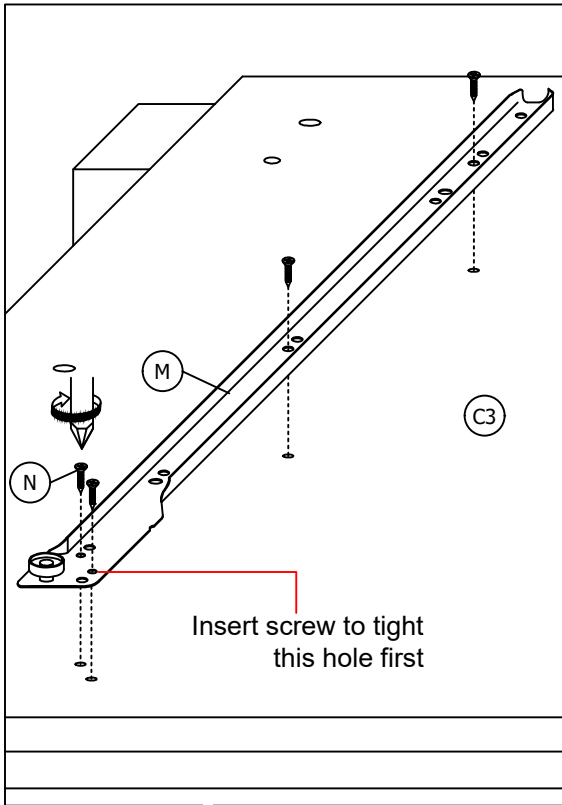


Assembled looks

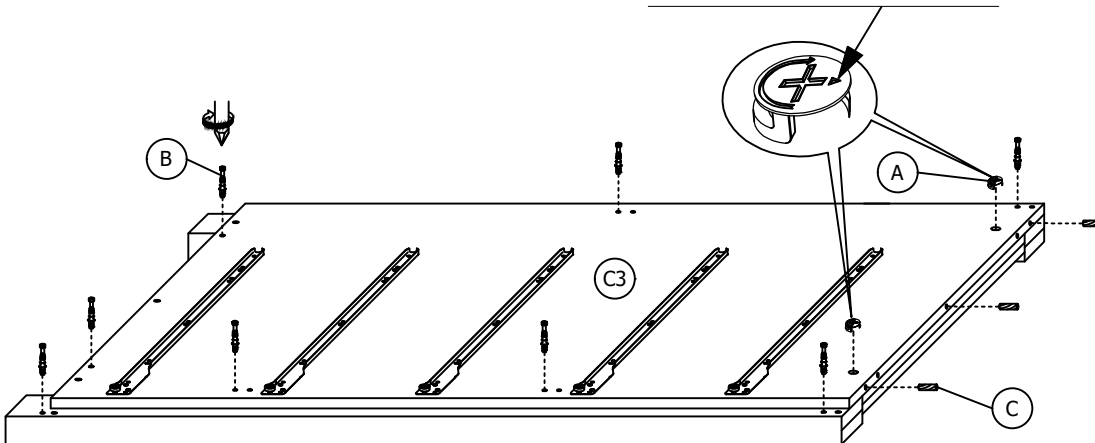


STEP 2

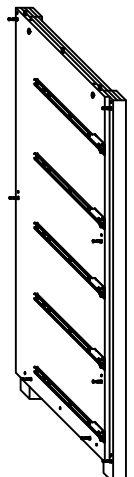
Fix the 5 pieces (M) to the (C3) by using 20 pieces (N). Then insert 2 pieces (A), 8 pieces (B) and 3 pieces (C) as shown.



Arrow need to face outside.

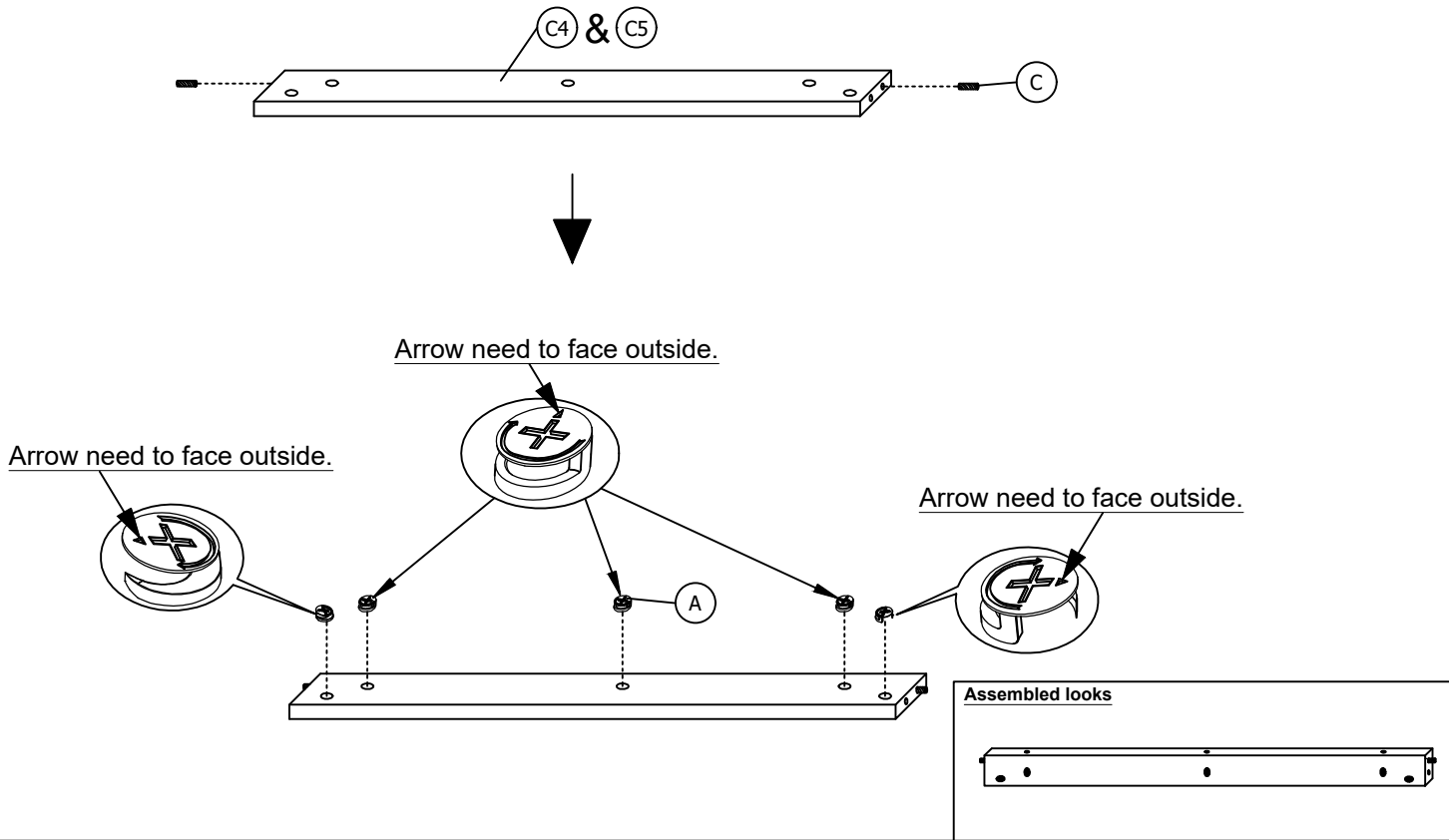


Assembled looks



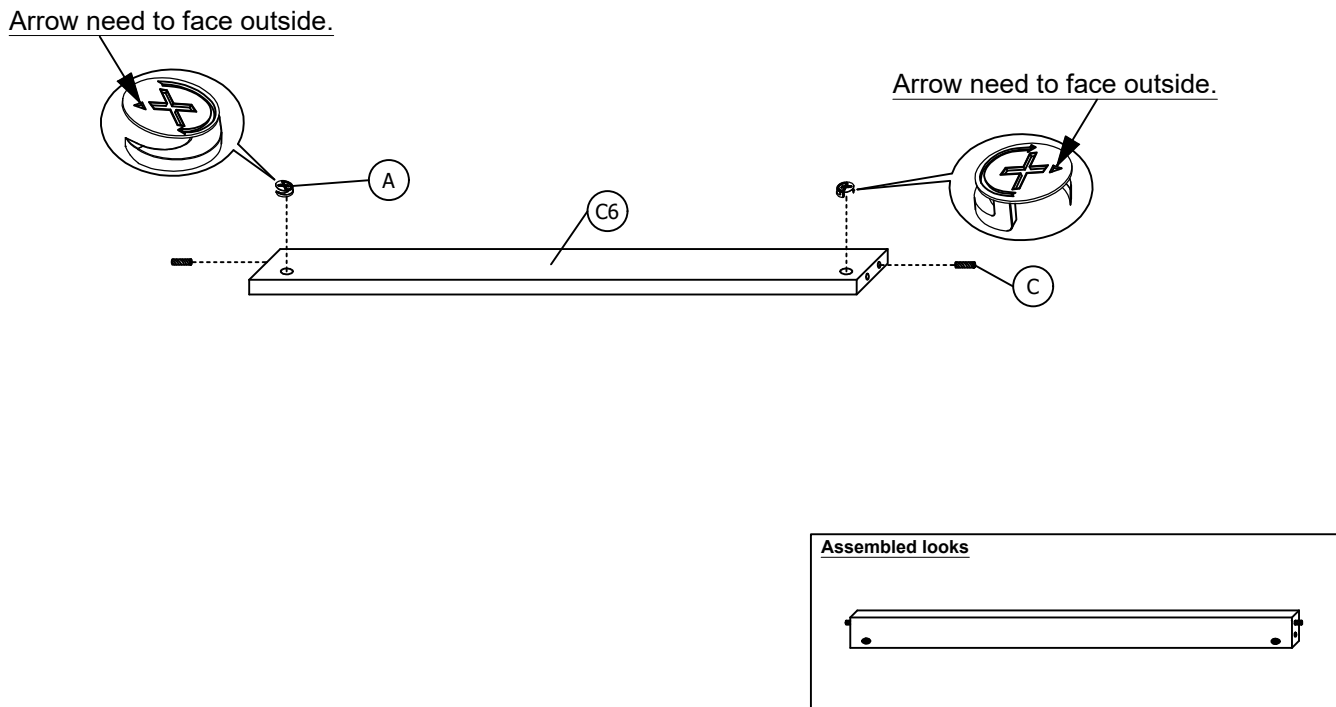
STEP 3

Insert 5 pieces (A) and 2 pieces (C) to (C4) and (C5) as shown.



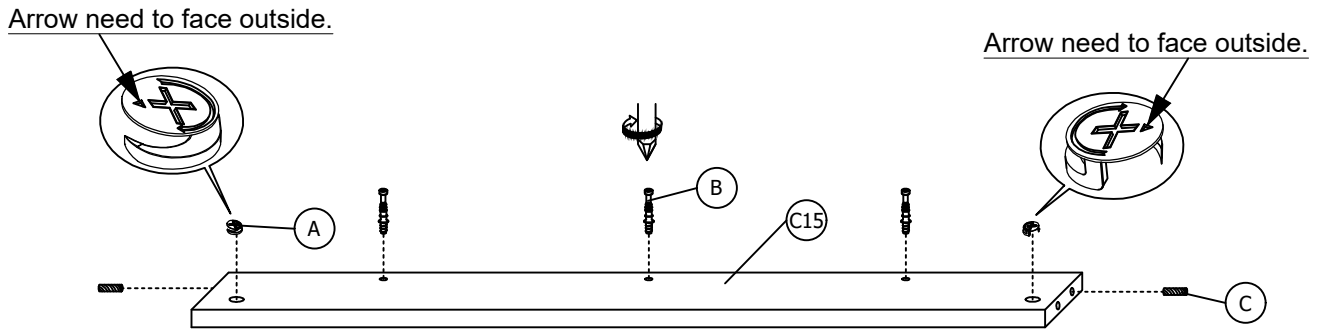
STEP 4

Insert 2 pieces (A) and (C) to (C6) as shown. This step needs to be **done three times**.



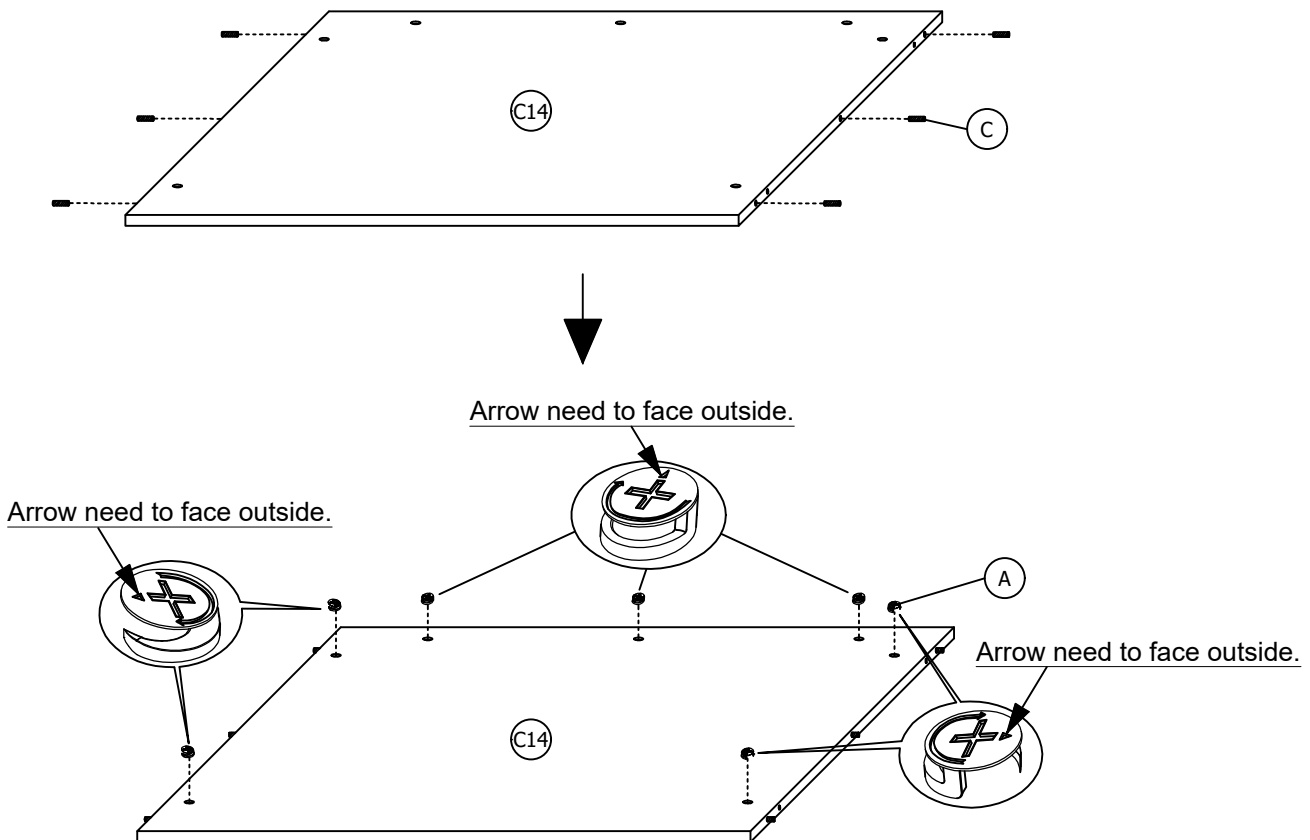
STEP 5

Insert 2 pieces (A),(C) and 3 pieces (B) to the (C15) as shown.



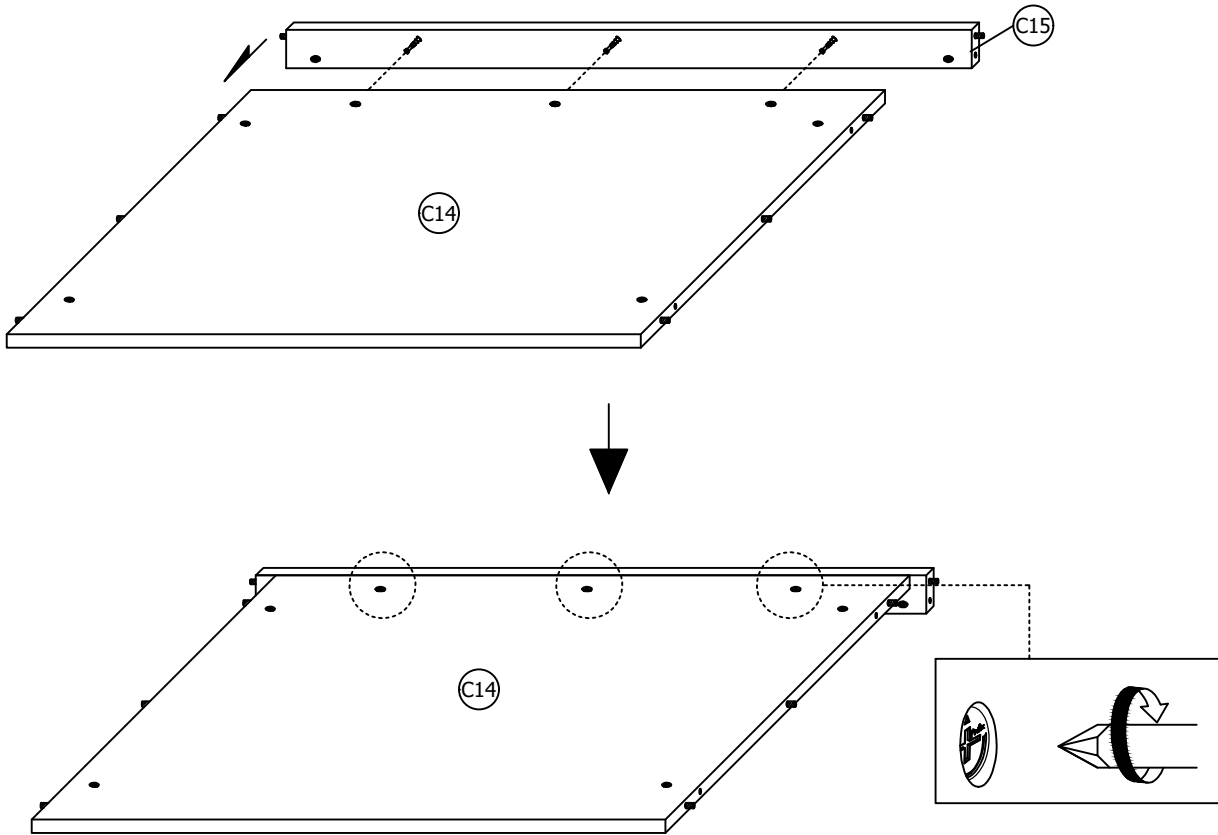
STEP 6

Insert 7 pieces (A) and 6 pieces (C) to the (C14) as shown.



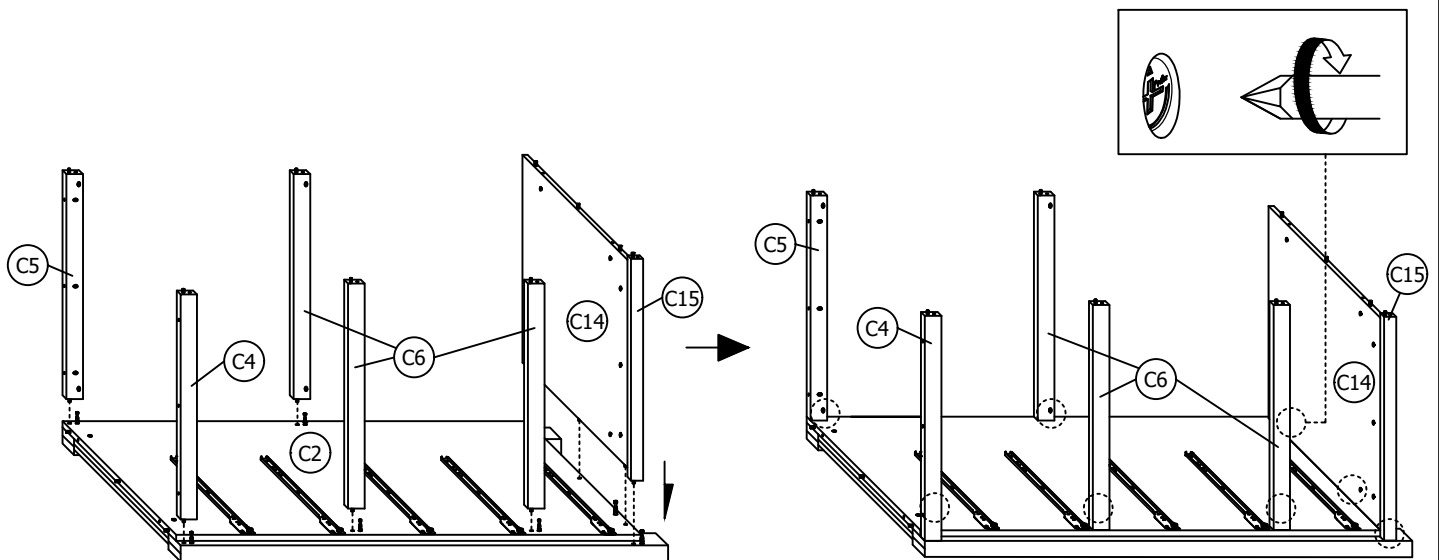
STEP 7

Combine the (C14),(C15) and tighten the 3 pieces (A)-(pre insert in previous step) as shown.



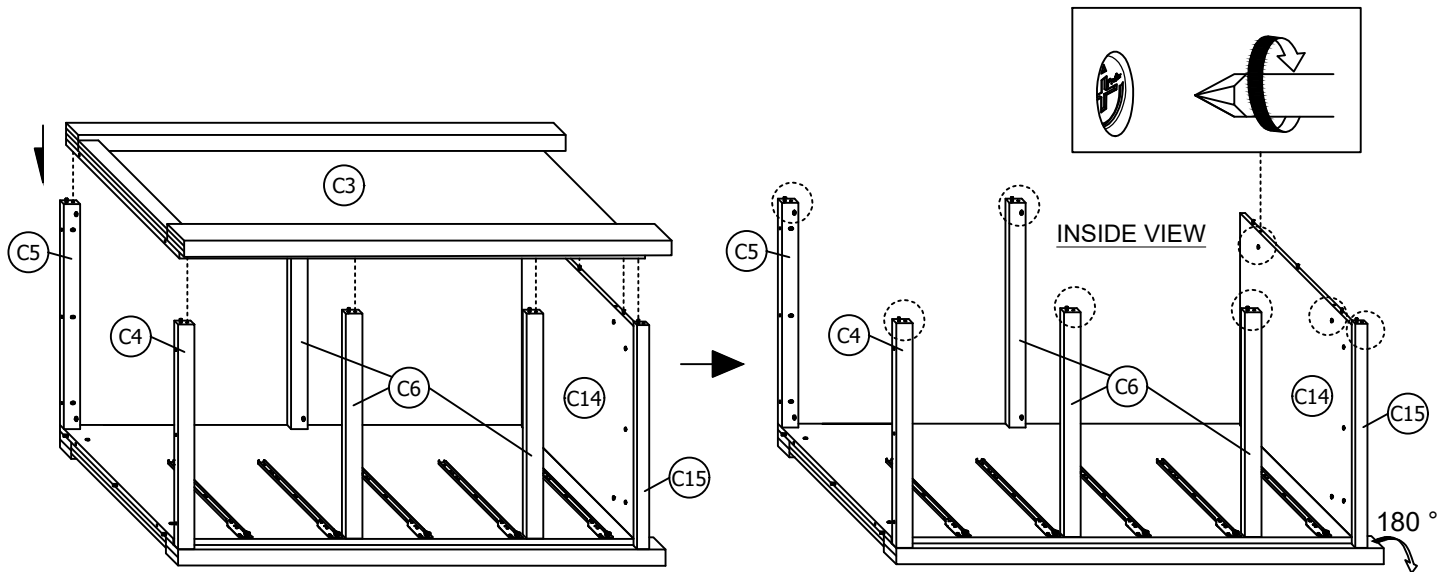
STEP 8

Combine the (C4),(C5),(C6),(C14),(C15) to the (C2) . Then tighten the 8 pieces (A)-(pre insert in step 3 to 6) as shown.



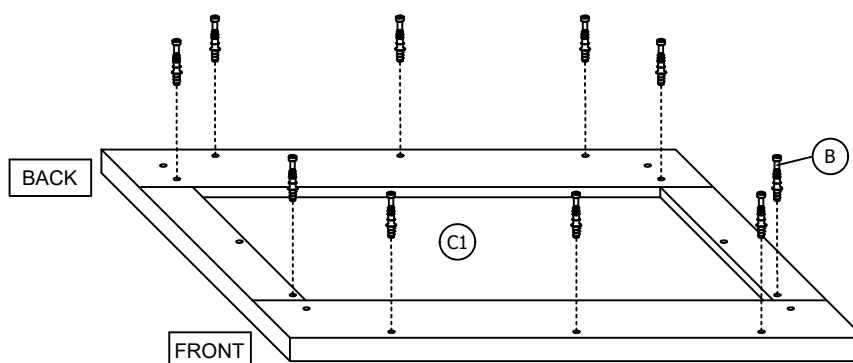
STEP 9

Combine the (C3) to the (C4),(C5),(C6),(C14),(C15) . Then tighten the another 8 pieces (A)-(pre-insert in step 3 to 6) as shown.

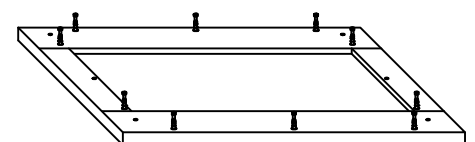


STEP 10

Insert 10 pieces (B) to the (C1) as shown.

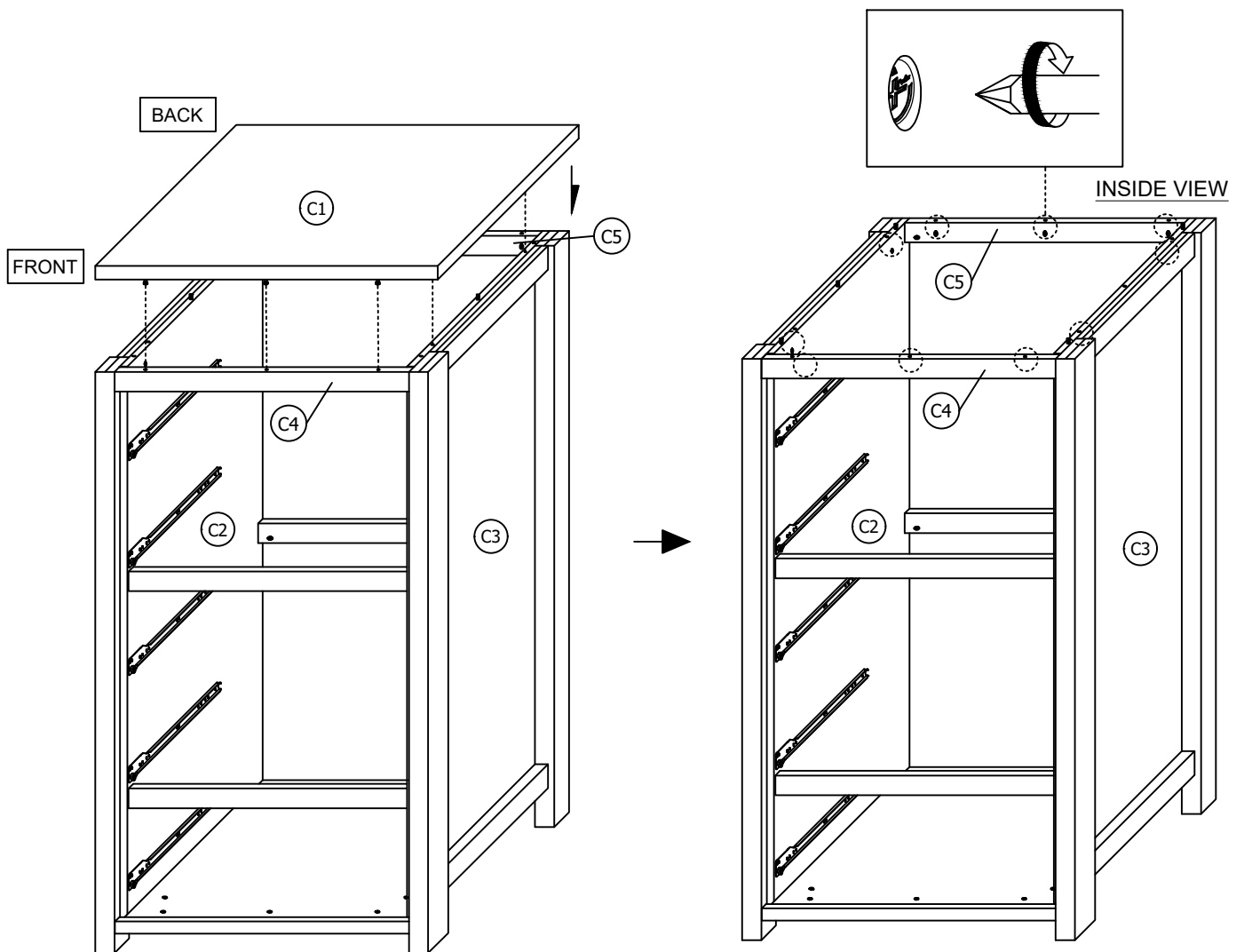


Assembled looks



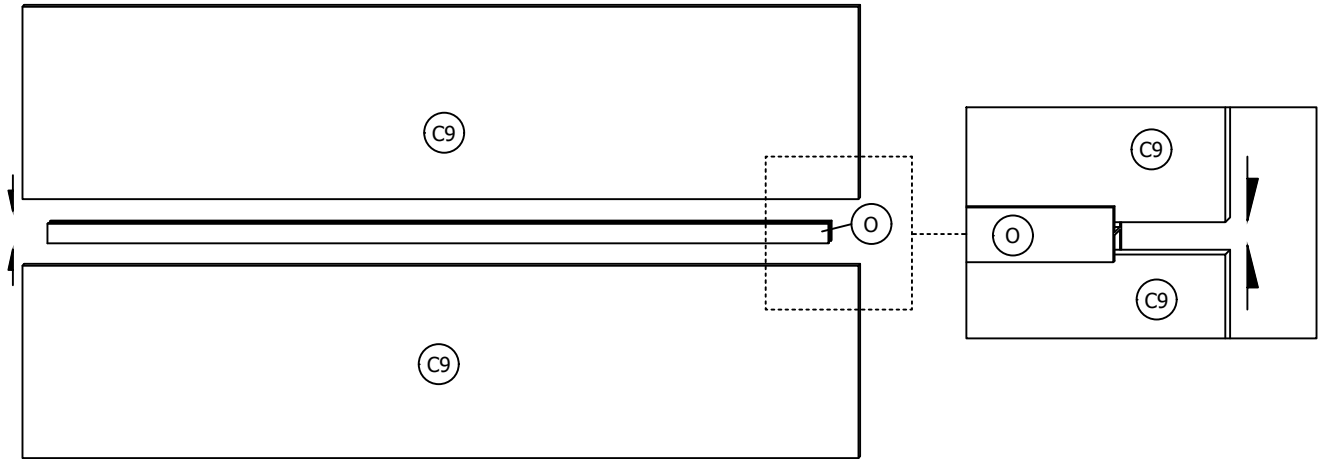
STEP 11

Combine the (C1) to the frame then tighten the remaining 10 pieces (A)-(pre-insert in step 1 to 3) as shown.



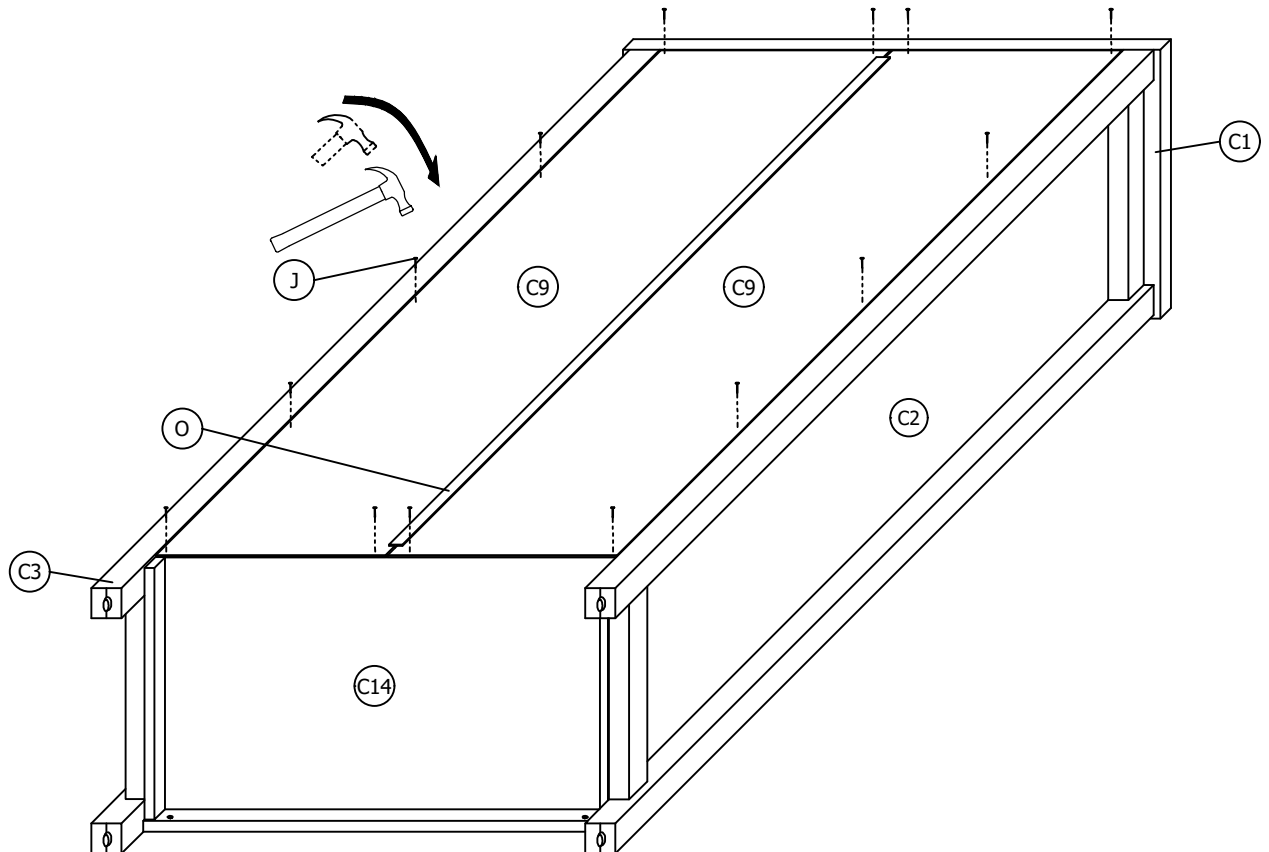
STEP 12

Put the (C9) to the gap of (O) as shown. Direction of the side with colored paper must be the same.



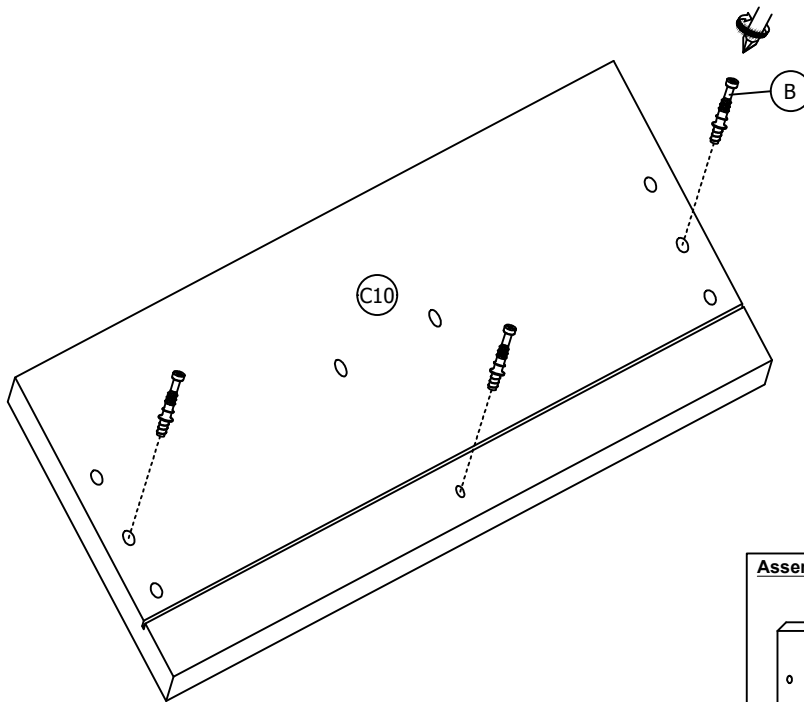
STEP 13

Insert the 14 pieces (J) to fix the (C9) as shown. Colored paper face to outside.
To prevent blocking (C1) and (C14), make sure the (O) at the middle of (C9), do not over high or lower.

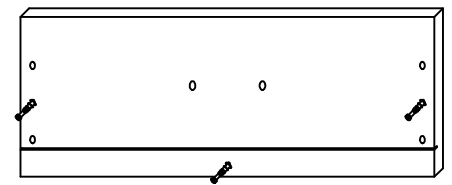


STEP 14

Insert 3 pieces (B) to (C10) as shown. This step needs to be **done five times**.

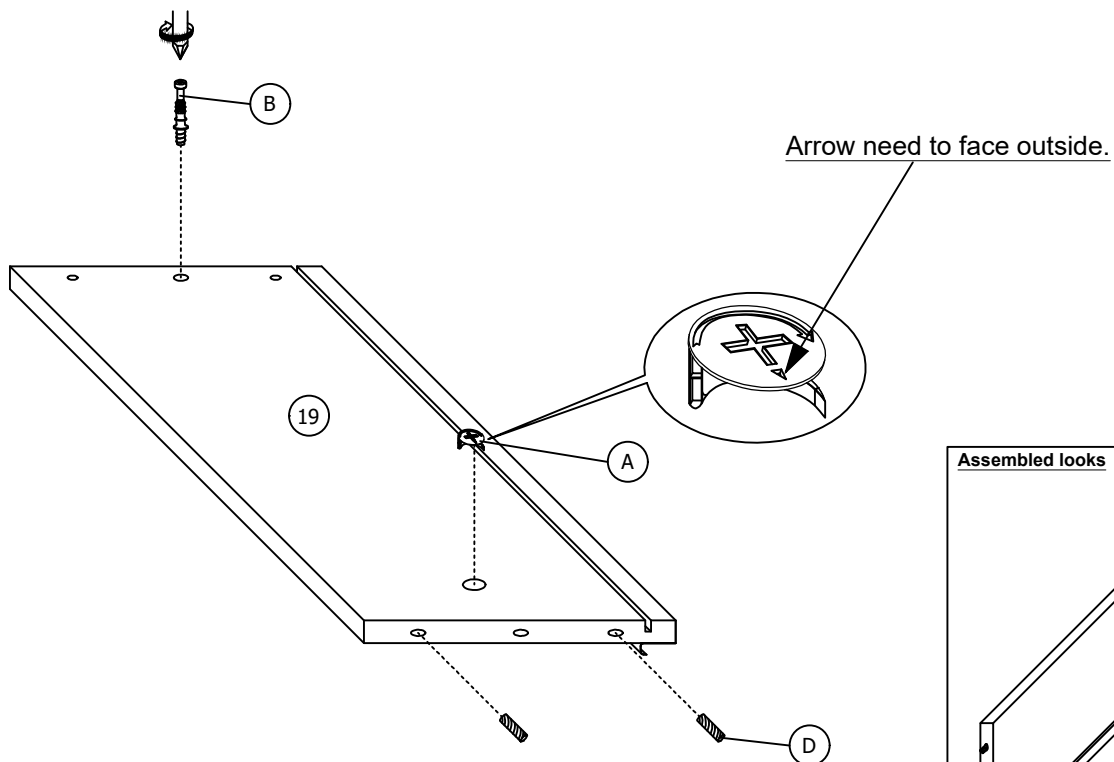


Assembled looks

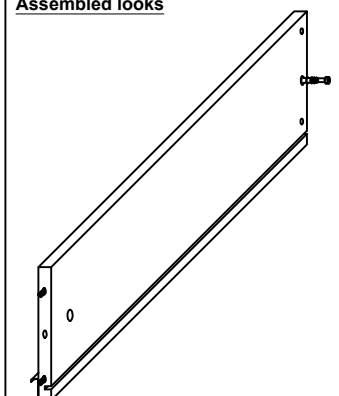


STEP 15

Insert 1 piece (A), (B) and 2 pieces (D) to (19) as shown. This step needs to be **done five times**.

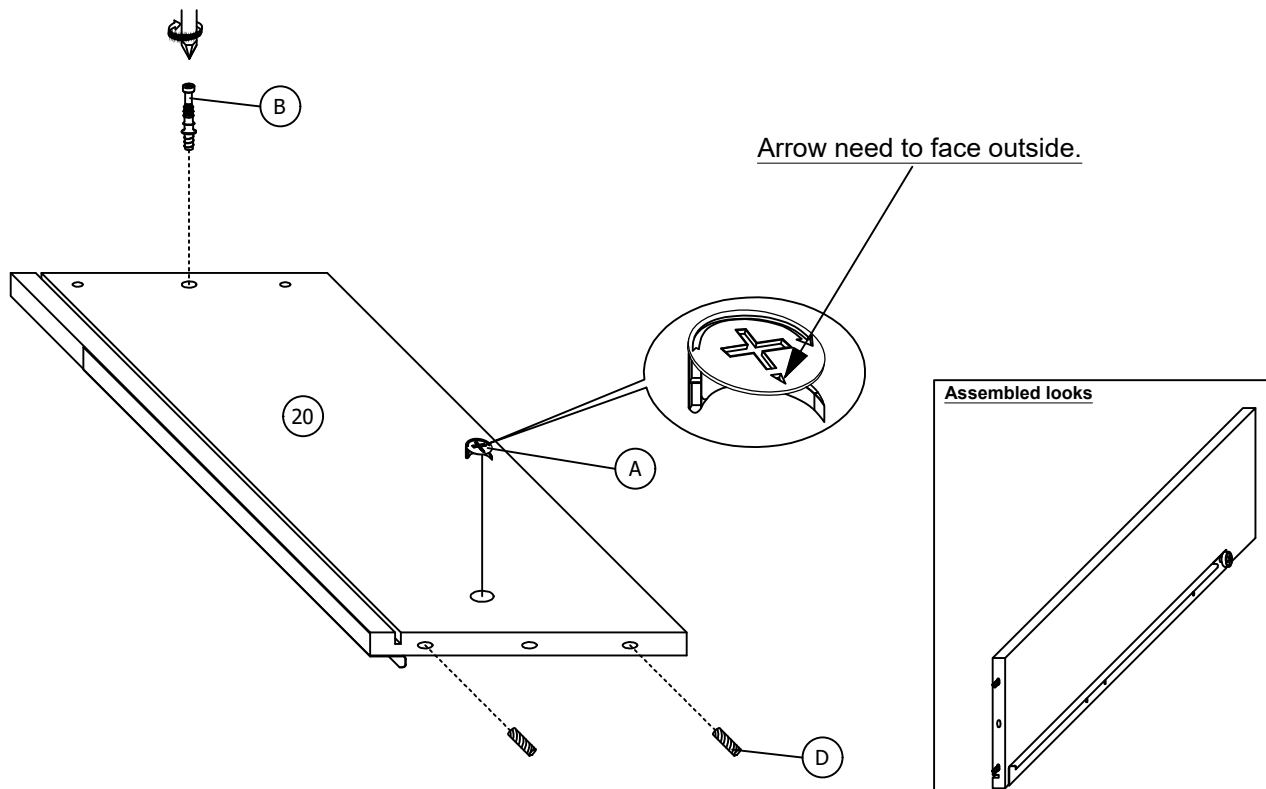


Assembled looks



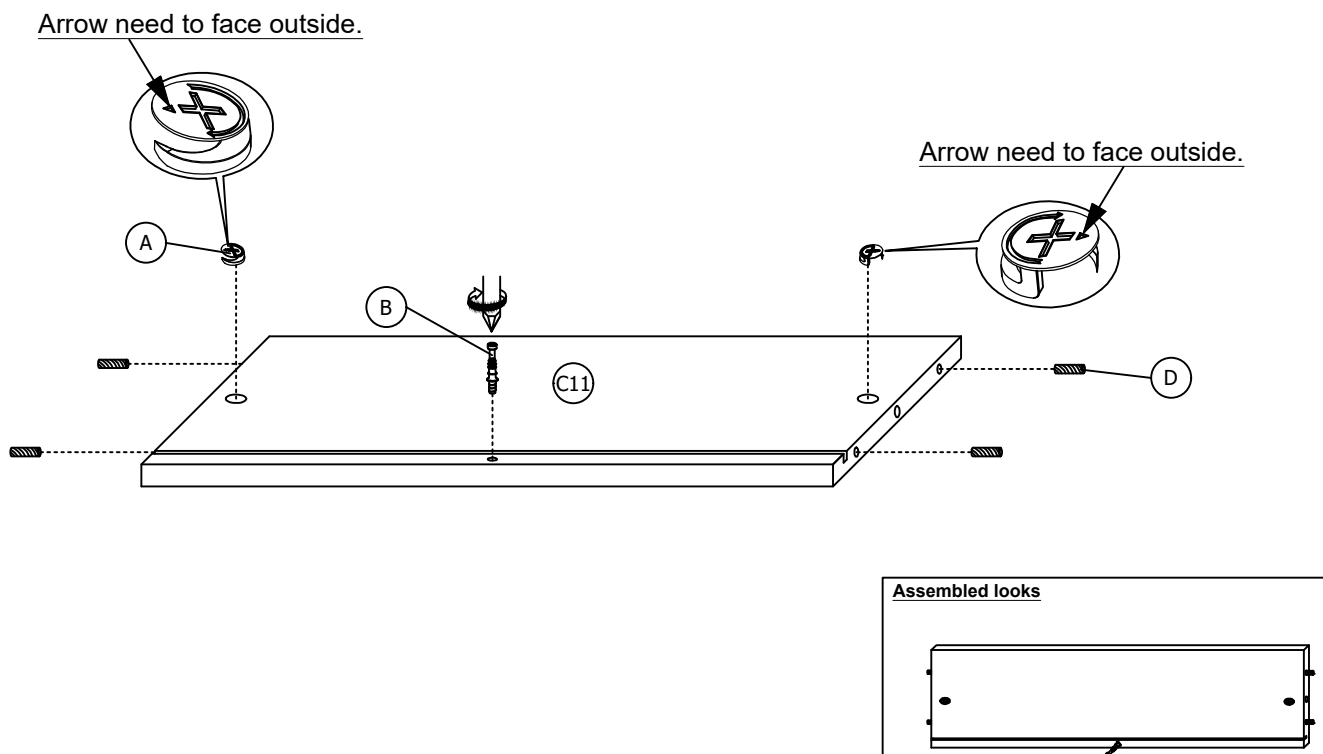
STEP 16

Insert 1 piece (A),(B) and 2 pieces (D) to (20) as shown. This step needs to be **done five times**.



STEP 17

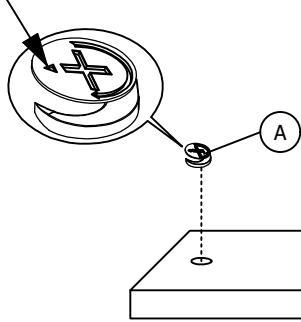
Insert 2 pieces (A) , 1 piece (B) and 4 pieces (D) to (C11) as shown. This step needs to be **done five times**.



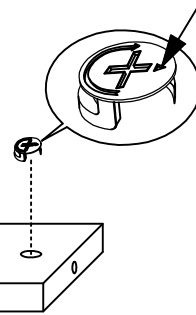
STEP 18

Insert 2 pieces (A) to (21) as shown. This step needs to be **done five times**.

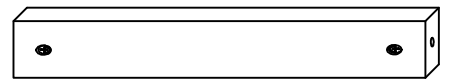
Arrow need to face outside.



Arrow need to face outside.

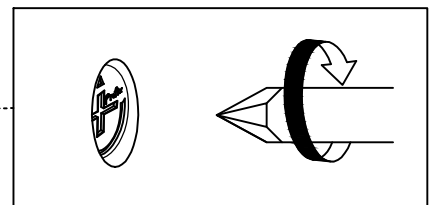
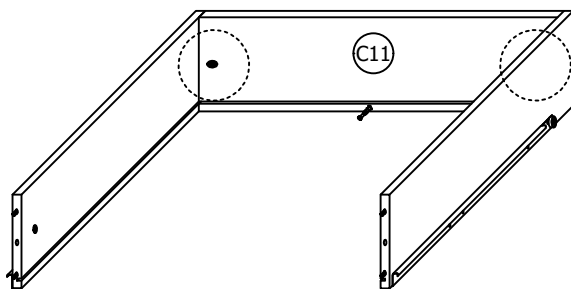
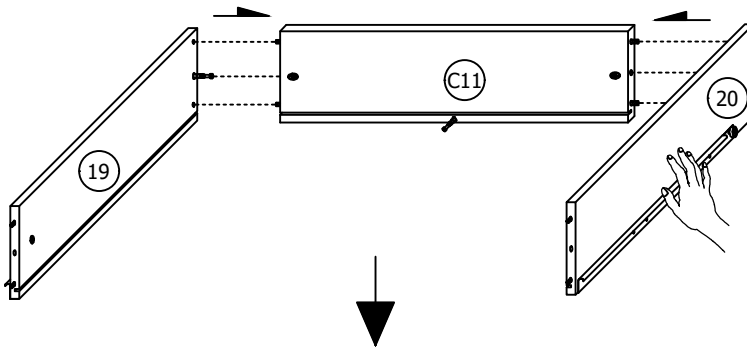


Assembled looks



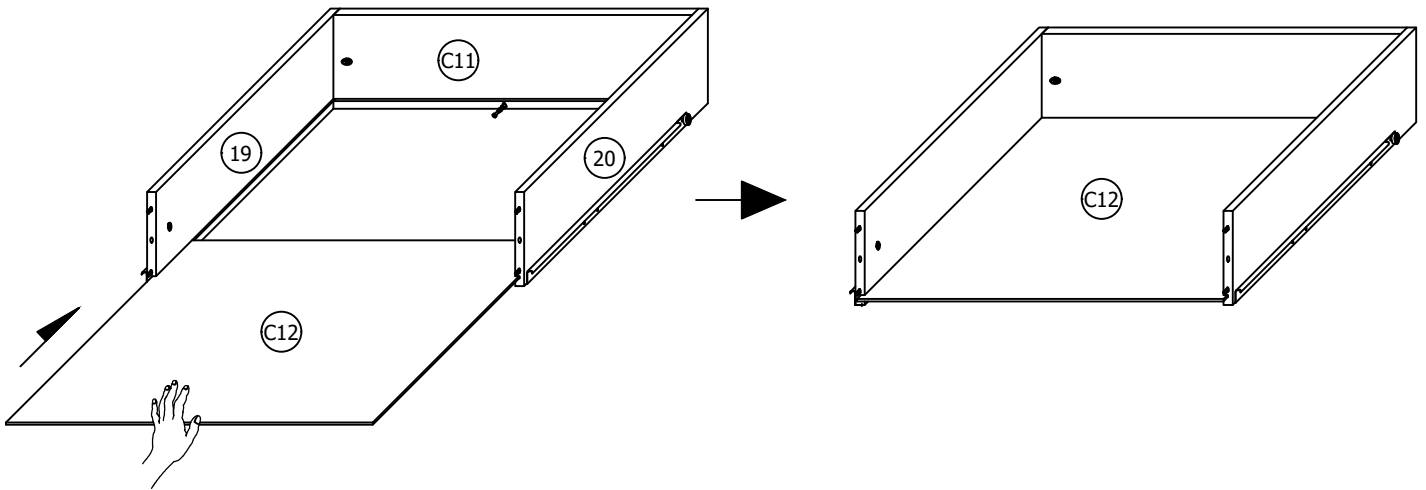
STEP 19

Combine the (19) and (20) to the (C11) . Then tighten the 2 pieces (A)-(pre-insert in step 17) as shown. This step needs to be **done five times**.



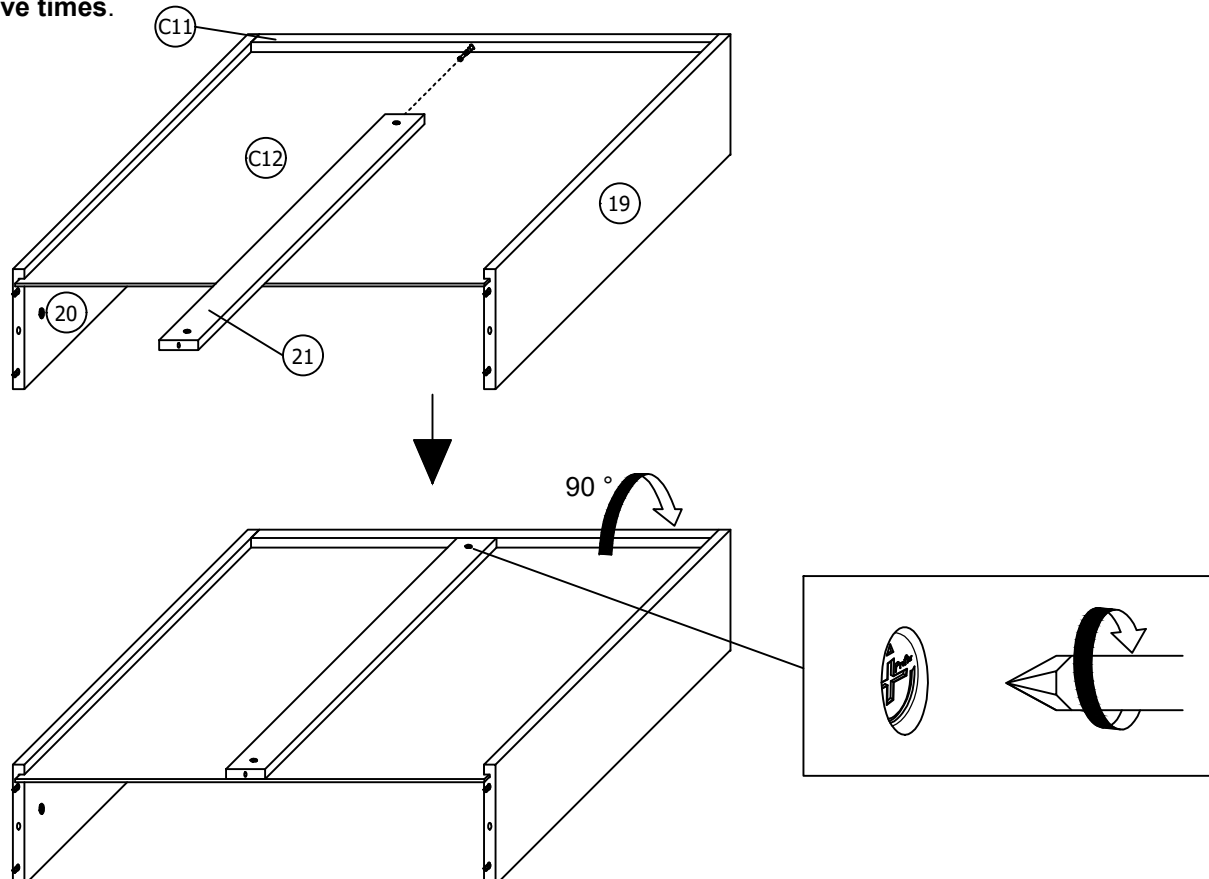
STEP 20

Put the (C12) into the gap of (19),(20) and (C11) as shown. This step needs to be **done five times**.



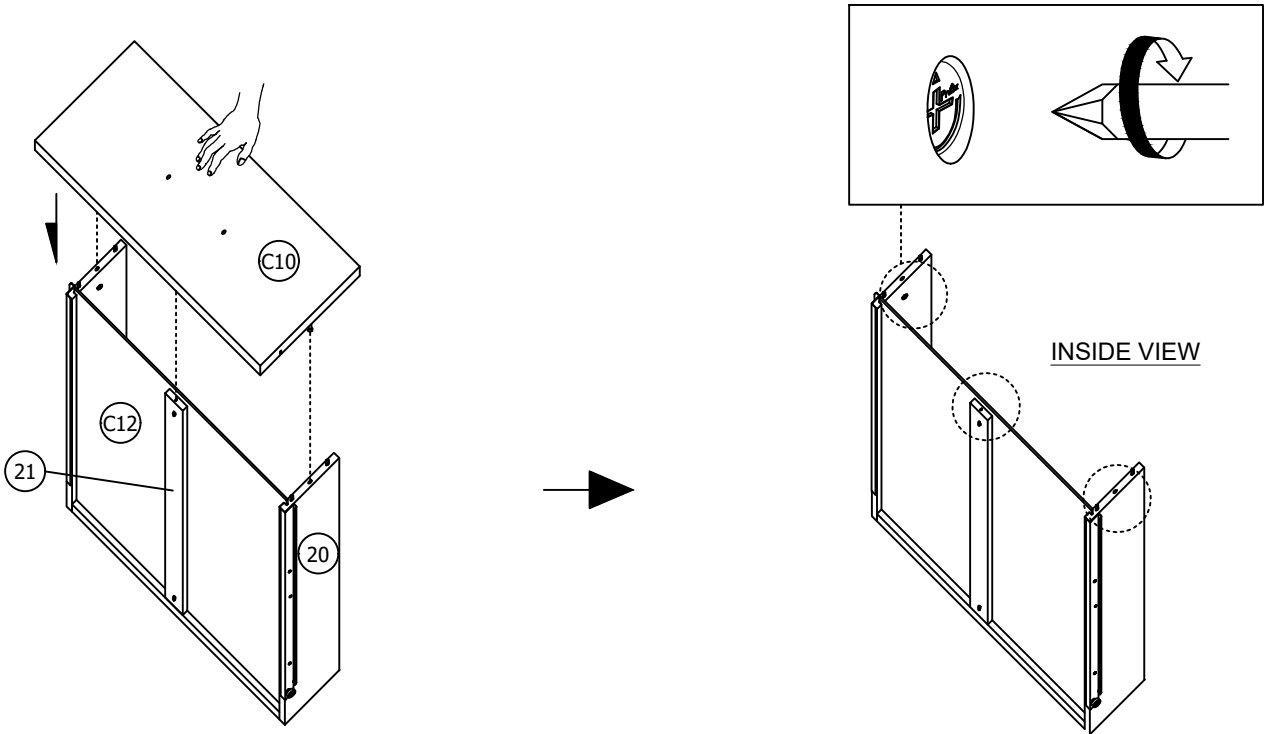
STEP 21

Combine the (21) to the (C11) then tighten the 1 piece (A)-(pre-insert in step 18) as shown. This step needs to be **done five times**.



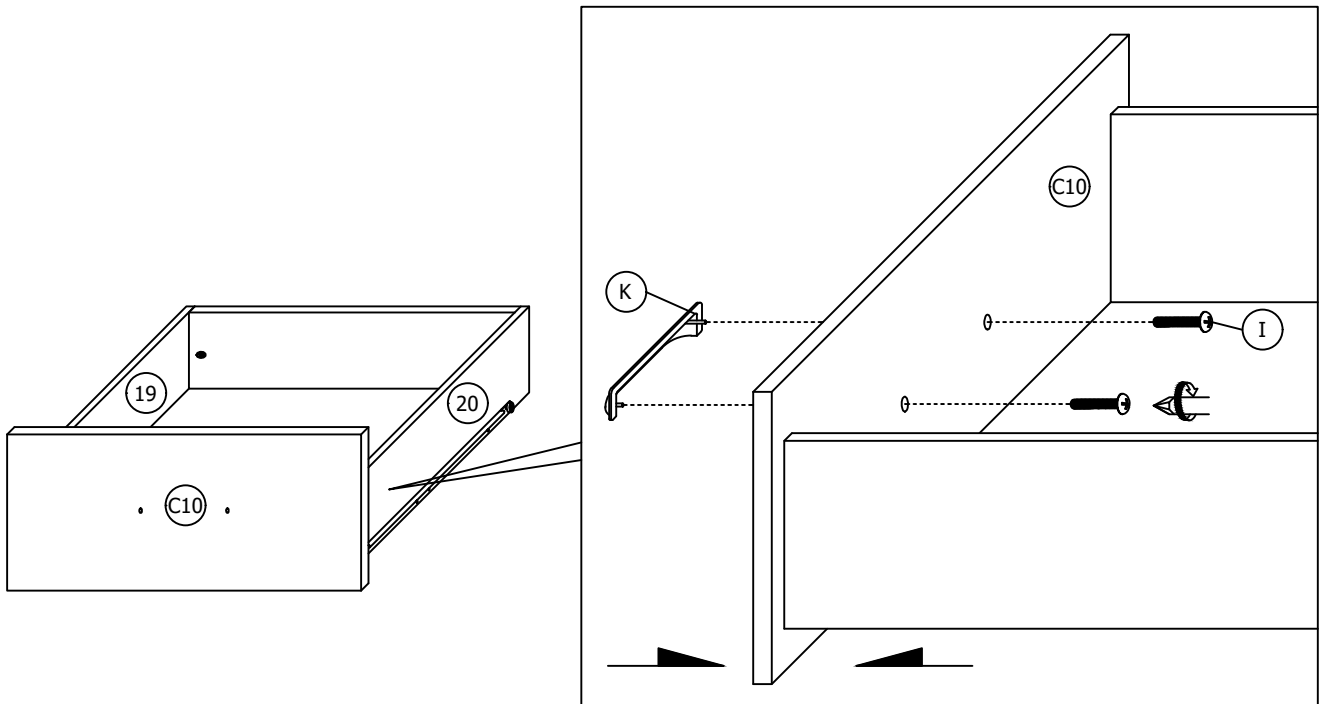
STEP 22

Combine the (C10) to the drawer frame. Then tighten the 3 pieces (A)-(pre-insert in step 15,16 and 18) as shown. This step needs to be **done five times**.



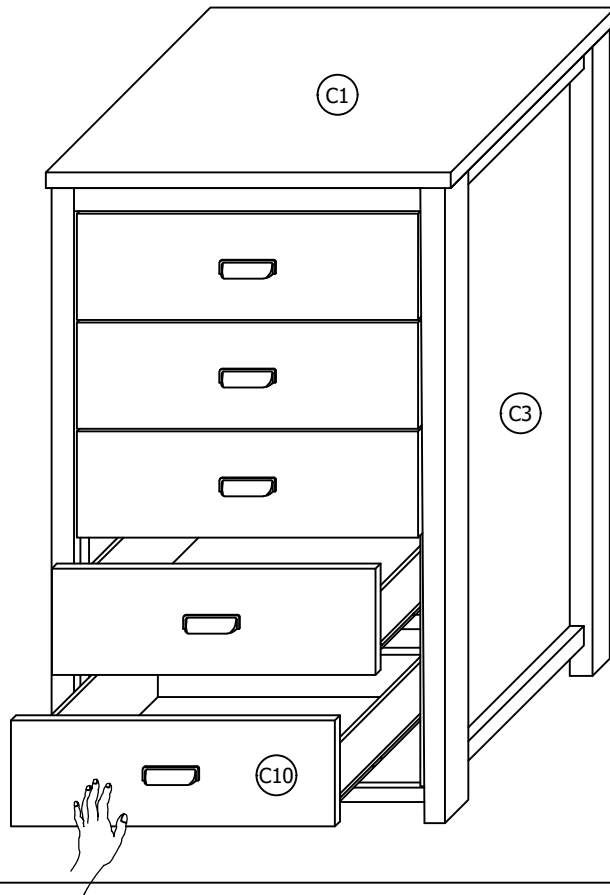
STEP 23

Insert 2 pieces (I) fix the (K) as shown. **This step needs to be done five times.**

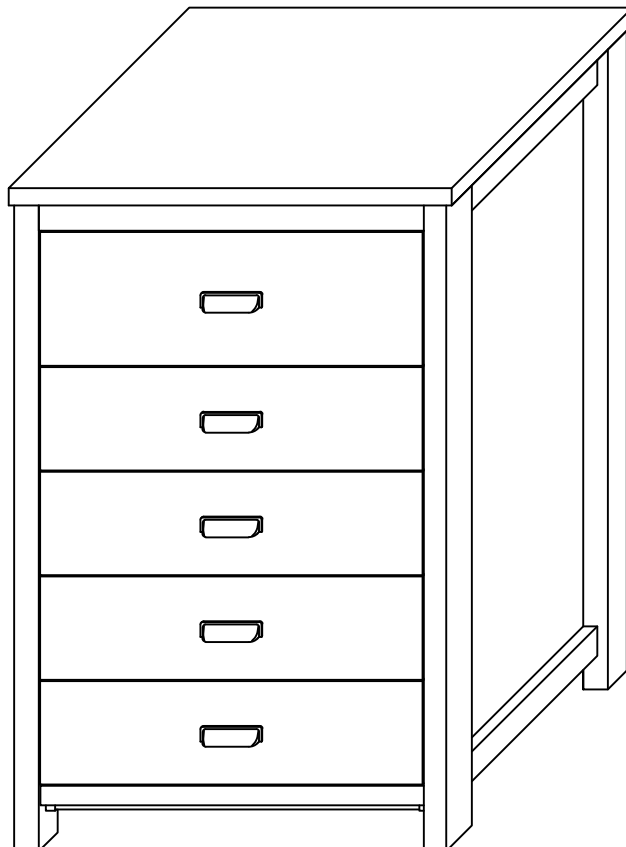


STEP 24

Align the position then push the 5 pieces drawer to inside exactly by your hand as shown.



STEP 25



ASSEMBLY COMPLETED

WALL STUD

SAFETY BRACKET INSTRUCTIONS

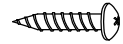
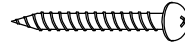
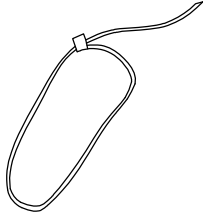
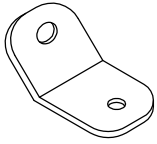
Part Enclosed

A) Bracket

B) Safety Strap

C) 50mm Pan Head Screw

D) 17mm Pan Head Screw



2x

1x

1x

1x

IMPORTANT Tipping can injure young children. Use of this safety hardware is highly recommended. This safety hardware, when properly installed, can provide furniture protection against unexpected accidental tipping of furniture due to improper use.

Step 1

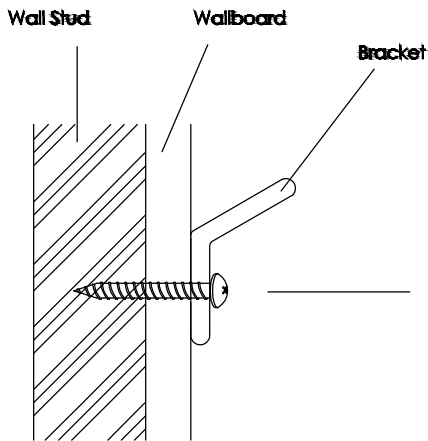
Attach a bracket to the wall board with the 2" screw provided.

It is recommended that you locate a wall stud behind the furniture unit. If the wall stud is not used, a suitable "Hollow-Wall Anchor Bolt" (not provided) should be used in lieu of the wall stud.

Position the wall bracket on the stud about 1" below the top of furniture piece.

Mark the position for the bracket placement on the wall and drill a pilot hole into the stud.

Attach the bracket to the back of the furniture with the 2" screws provided.



Step 2

To attach a bracket to the Furniture Frame below to top with the short screws provided.

Move the furniture piece temporarily to its final position to the wall.

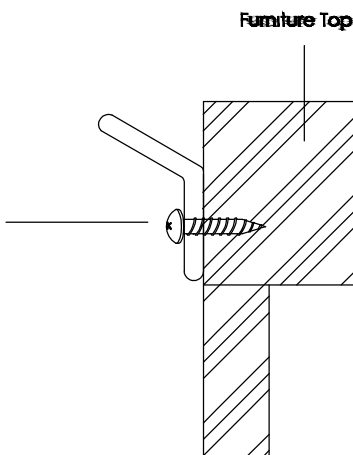
Mark the location of the bracket on the back of the furniture in relation to the previously mounted wall bracket.

Move the furniture piece away from the wall mounted bracket and place the other bracket on the mark position on the back of the furniture piece.

Drill a pilot hole as shown in the figure or into the back furniture frame.

Caution: Make sure you do not drill completely through the back of the furniture.

Attach the bracket to the back of the furniture with the 5/8" screws provided.



Step 3

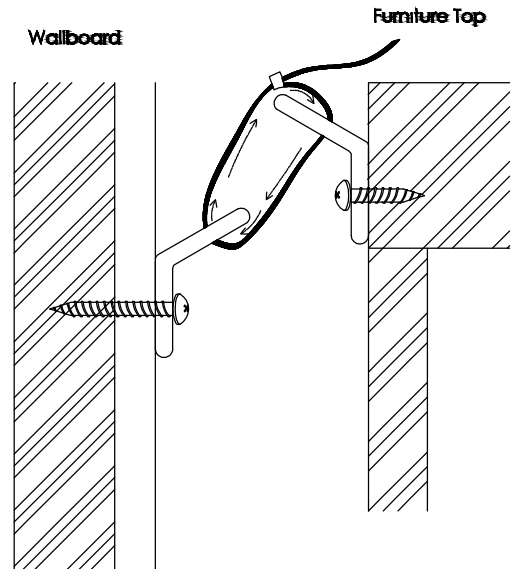
To Attach the safety strap

Move the furniture back to its final position.

Thread the safety strap through both of the mounted brackets as shown in the illustration.

Tighten the strap unit snug.

Do not over tighten.



IMPORTANT Make sure the brackets are firmly attached to the wall stud and furniture frame and the safety strap is snug.

Warning: This product is not to be a substitute for proper parental supervision which is the only proper deterrent to prevent improper use of this unit. The manufacturer assumes no liability for improper installation or excessive loads placed on the safety straps, bracket or mounting screws. This hardware will not insure against tipping.

Note: For taller or heavier pieces of furniture, two safety brackets may be installed.

This sticker was stucked at one of the DRAWER LEFT PANEL(19).



Place the drawer which stucked a warning label in the top as shown.

