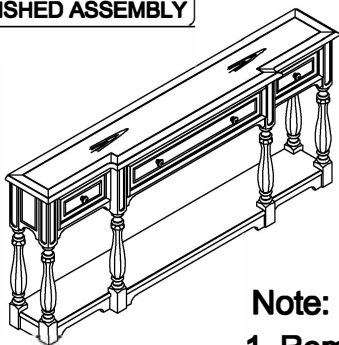


ASSEMBLY INSTRUCTION

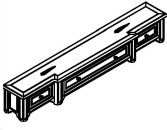

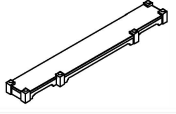
DESCRIPTION: 72" HALL CONSOLE TABLE

Thank you for purchasing this quality product. Be sure to check all packing material carefully for small parts which may have come loose inside the carton during shipment. Identify and count all parts and compare with the parts List Below:

FINISHED ASSEMBLY


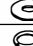




PART LIST:

①		②		③	
TABLE TOP :1PC		LEGS :6PCS		BASE:1PC	

④

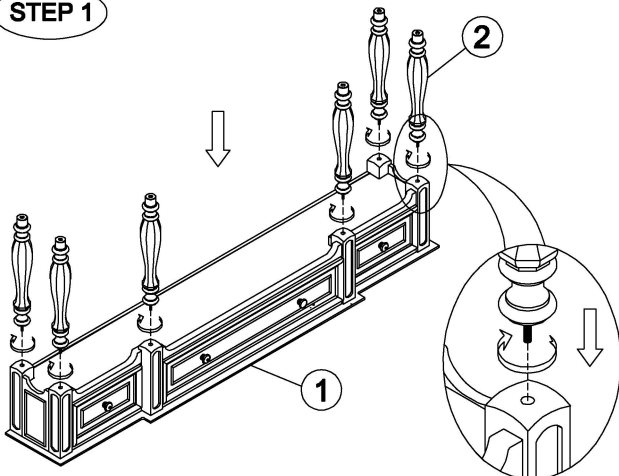
HARDWARE LIST

NO.	Drawing	Description	Q'ty
A		Bolt $\Phi 5/16" \times 3-1/2"$	6pcs
B		Flat washer ($\Phi 5/16" \times 19mm$)	6pcs
C		Spring washer ($\Phi 5/16"$)	6pcs
D		Allen wrench (5mm)	1pc

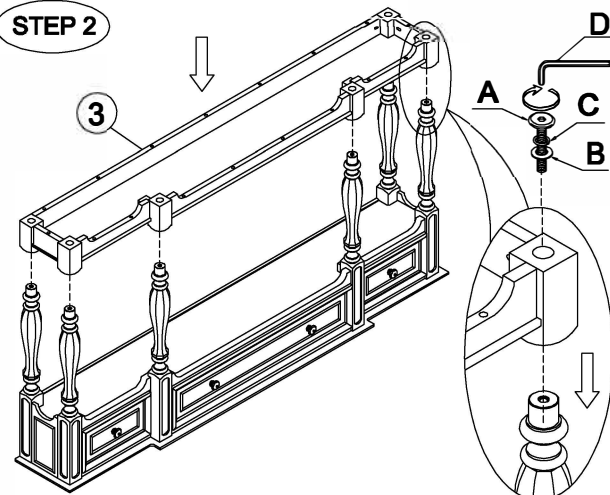
Note:

1. Remove legs from inner box

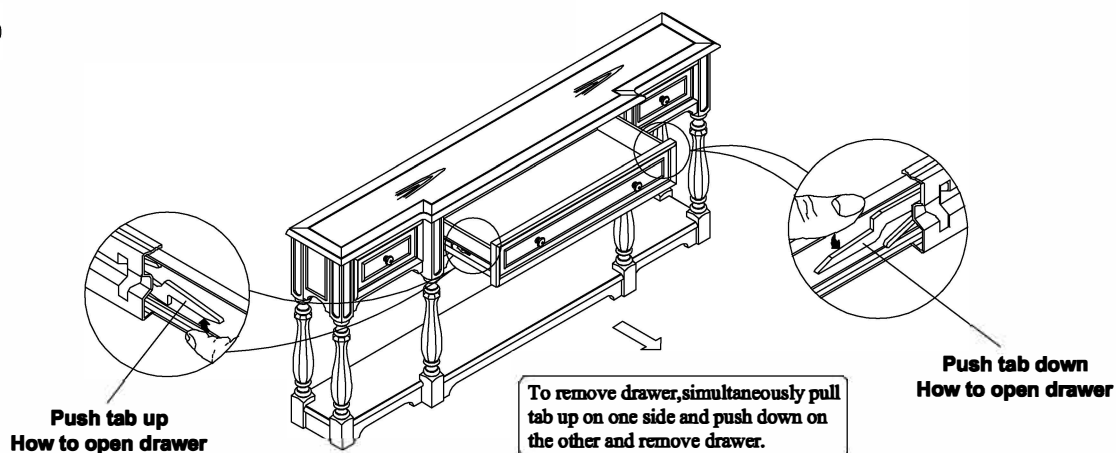
STEP 1



STEP 2



STEP 3



CLEANING INSTRUCTION

Page 1/1 Use a soft dry cloth to clean and remove furniture polish.

Made in VietNam