













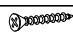
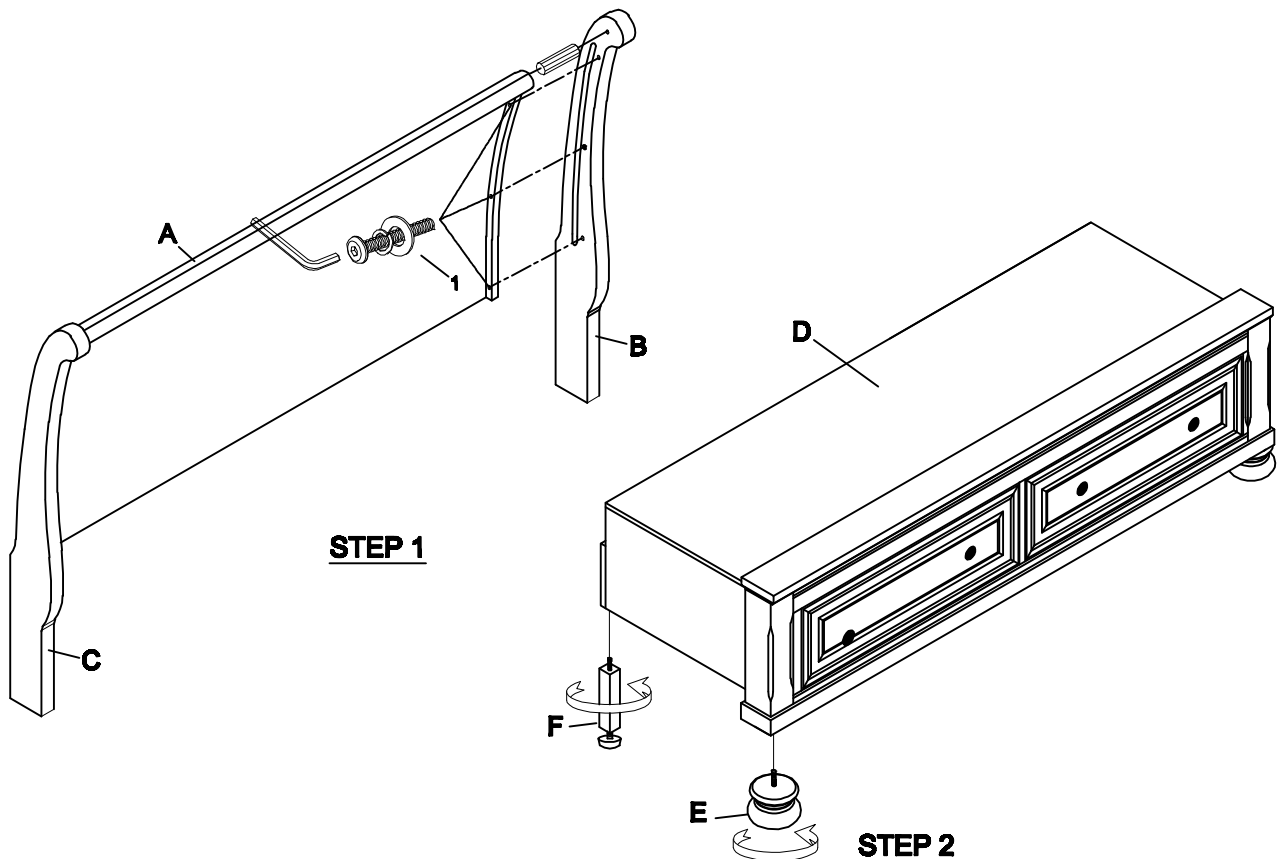


# Assembly Instruction

**5/0 Q HEADBOARD  
5/0 Q STORAGE  
FOOTBOARD & SLATS  
5/0 Q SIDE RAILS**

NO.	Part list	Q' TY
A	 Headboard	1PC
B	 Left Headboard Leg	1PC
C	 Right Headboard Leg	1PC
D	 Footboard w / drawers	1PC
E	 Leg	2PCS
F	 Support leg of drawer	2PCS
G	 Support legs for slats	4PCS
H	 Slats	1SET
I	 Rails	2PCS

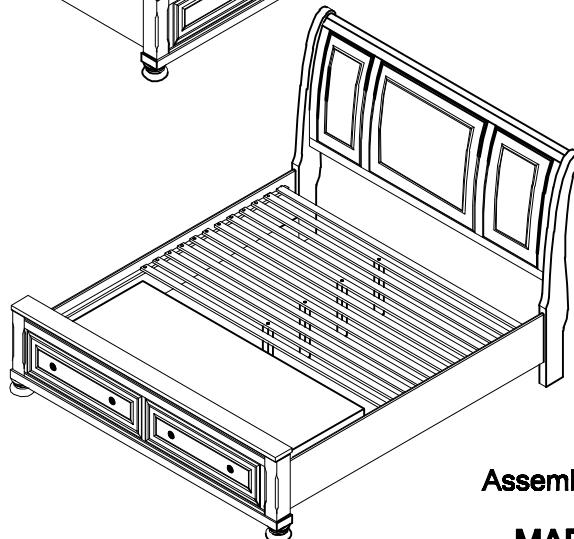
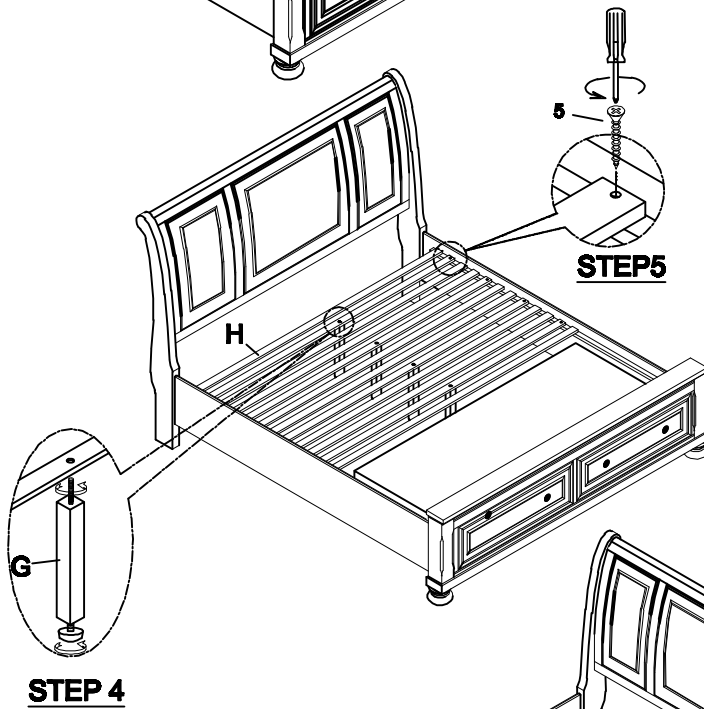
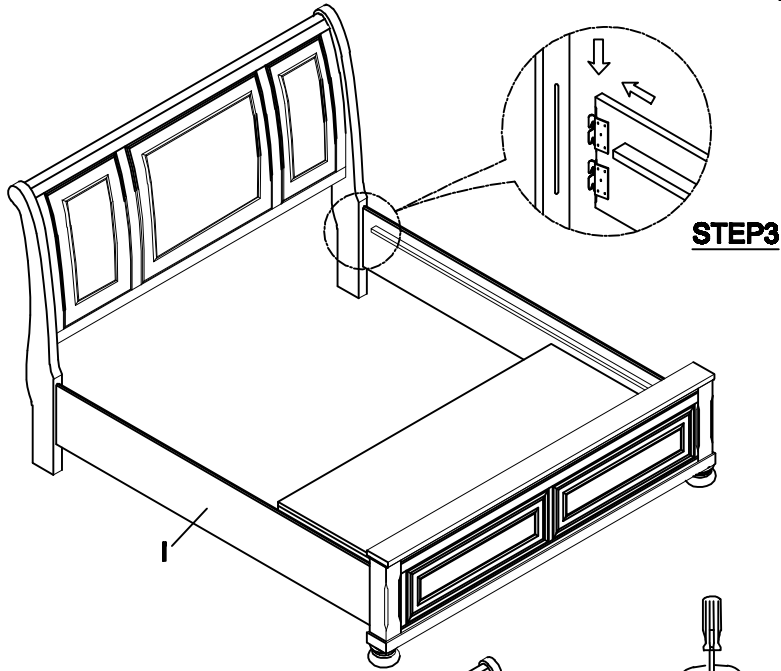
NO.	Hardware List	Q' TY
1	 Ø5/16" *1-1/2"L Allen Bolt	6PCS
	 Ø5/16" Spring washer	6PCS
	 Ø5/16" *19mm Flat washer	6PCS
	 Allen wrench (4mm)	1PC
5	 Ø10mm*40mm Wooden dowel	2PCS
	 Ø8*Ø4*1-1/4"L Wood Screw	8PCS



**MADE IN VIETNAM**

# Assembly Instruction

5/0 Q HEADBOARD  
5/0 Q STORAGE  
FOOTBOARD & SLATS  
5/0 Q SIDE RAILS







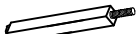
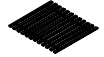








Assembly completed

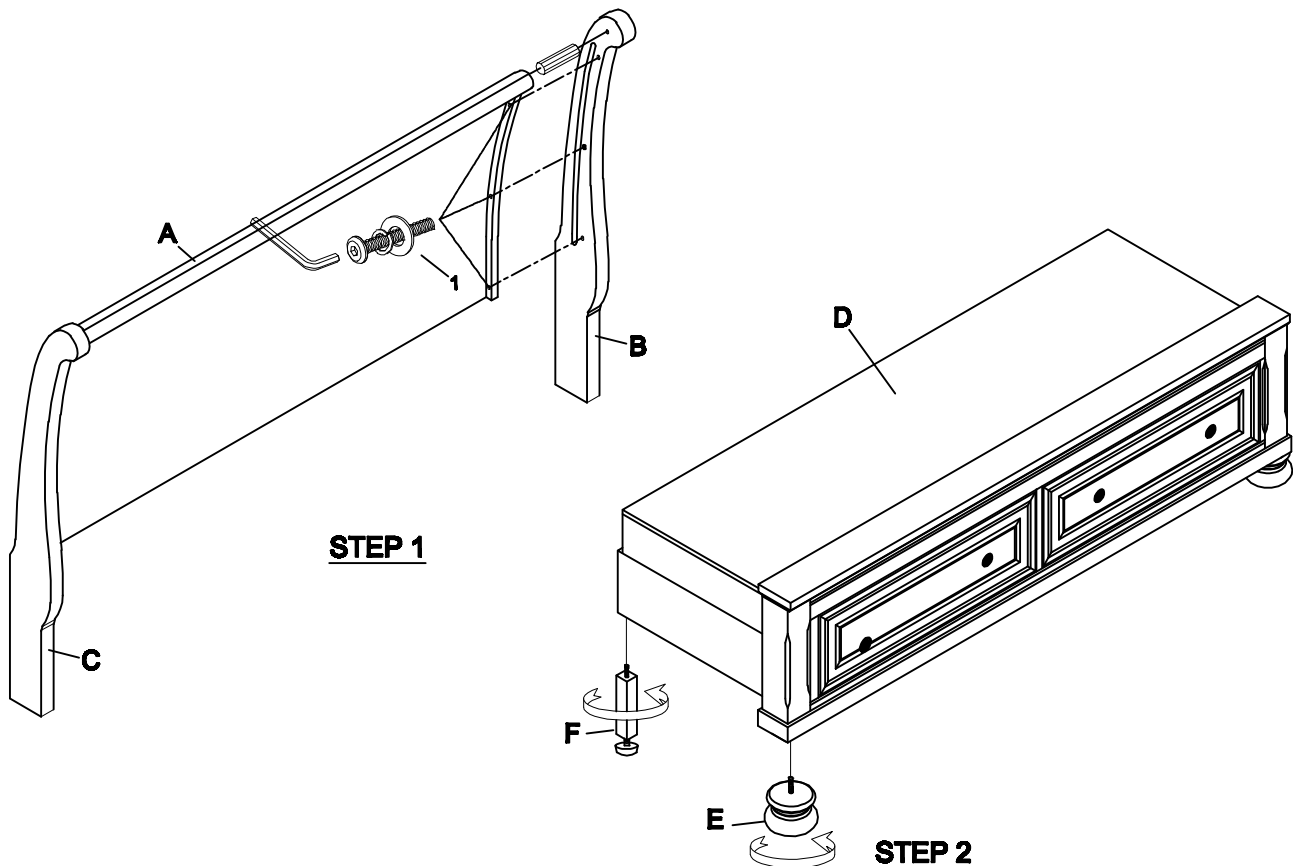
**MADE IN VIETNAM**

# Assembly Instruction

**6/6-6/0 K HEADBOARD**  
**6/6-6/0 K STORAGE**  
**FOOTBOARD & SLATS**  
**6/6 EK SIDE RAILS**

NO.	Part list	Q' TY
A	 Headboard	1PC
B	 Left Headboard Leg	1PC
C	 Right Headboard Leg	1PC
D	 Footboard w / drawers	1PC
E	 Leg	2PCS
F	 Support leg of drawer	3PCS
G	 Support legs for slats	8PCS
H	 Slats	1SET
I	 Rails	2PCS

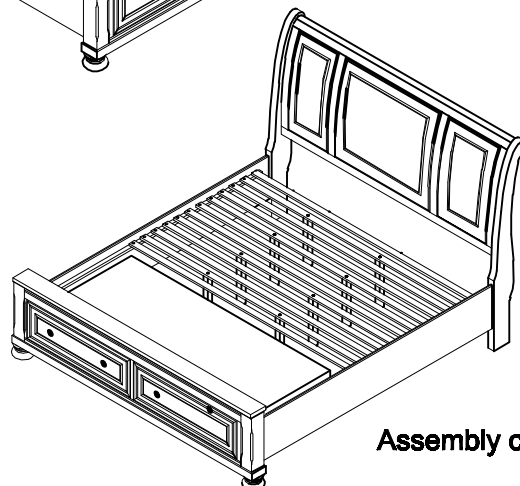
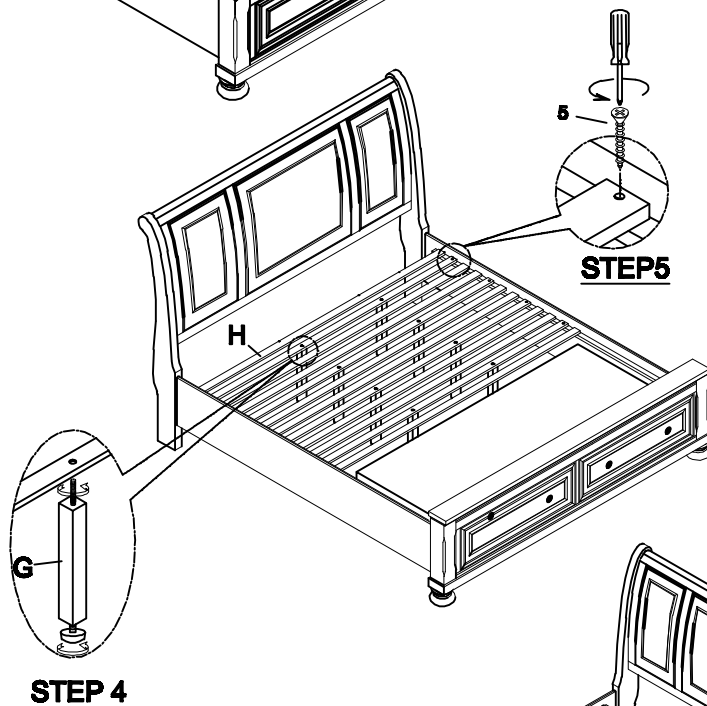
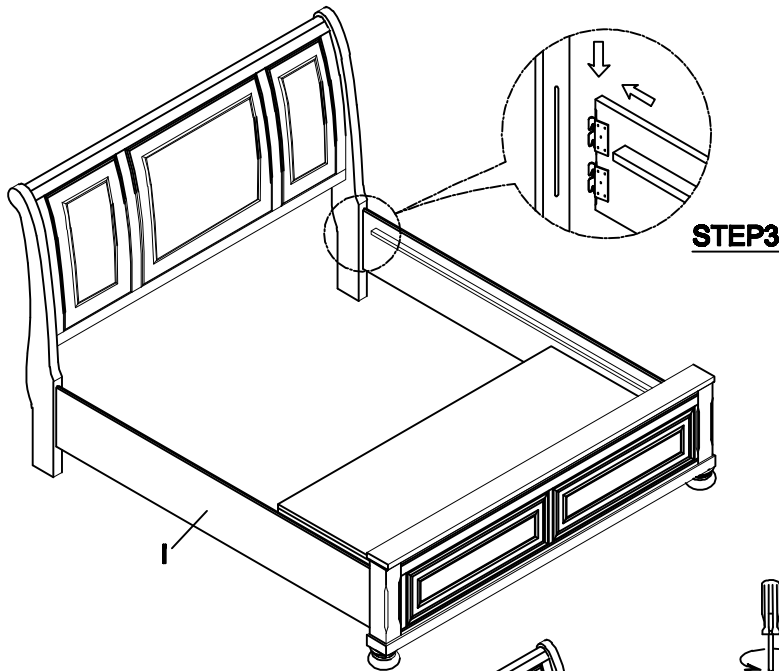
NO.	Hardware List	Q' TY
1	 Ø5/16" *1-1/2"L Allen Bolt	6PCS
	 Ø5/16" Spring washer	6PCS
	 Ø5/16" *19mm Flat washer	6PCS
	 Allen wrench (4mm)	1PC
5	 Ø10mm*40mm Wooden dowel	2PCS
	 Ø8*Ø4*1-1/4"L Wood Screw	8PCS



**MADE IN VIETNAM**

# Assembly Instruction

6/6-6/0 K HEADBOARD  
6/6-6/0 K STORAGE  
FOOTBOARD & SLATS  
6/6 EK SIDE RAILS





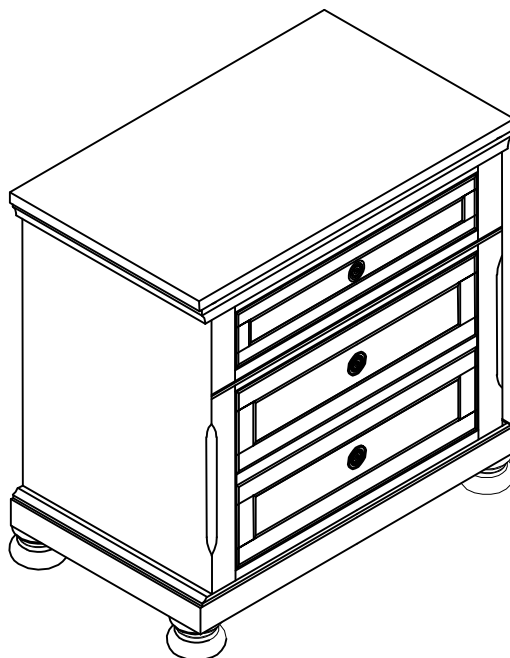
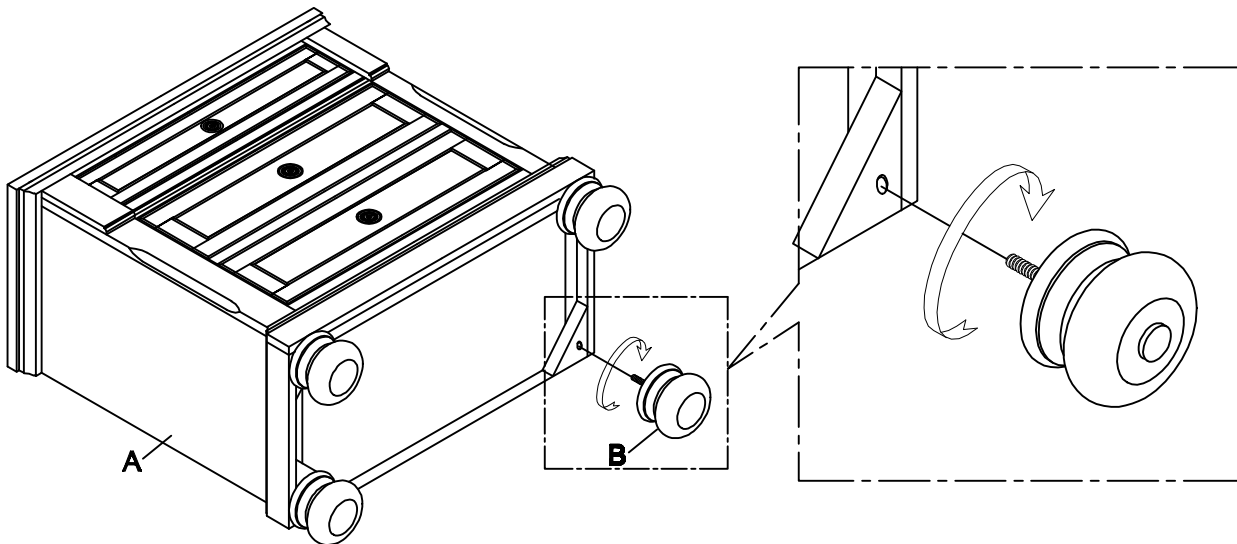
Assembly completed

**MADE IN VIETNAM**

# Assembly Instruction

## NIGHTSTAND ADD POWER PORT

NO.		Part list	Q' TY
A		Cabinet	1PC
B		Leg	4PCS





Assembly completed

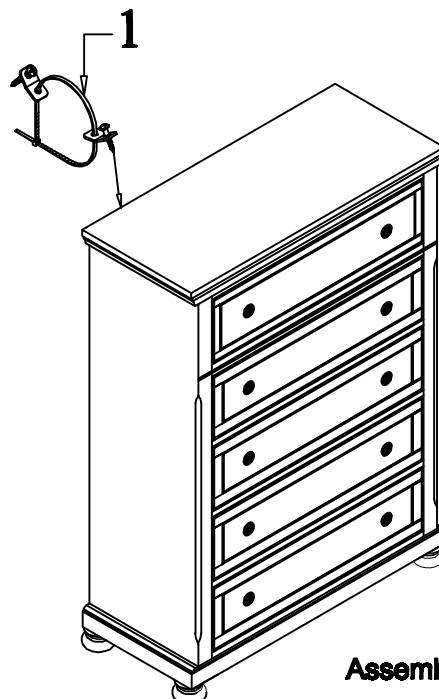
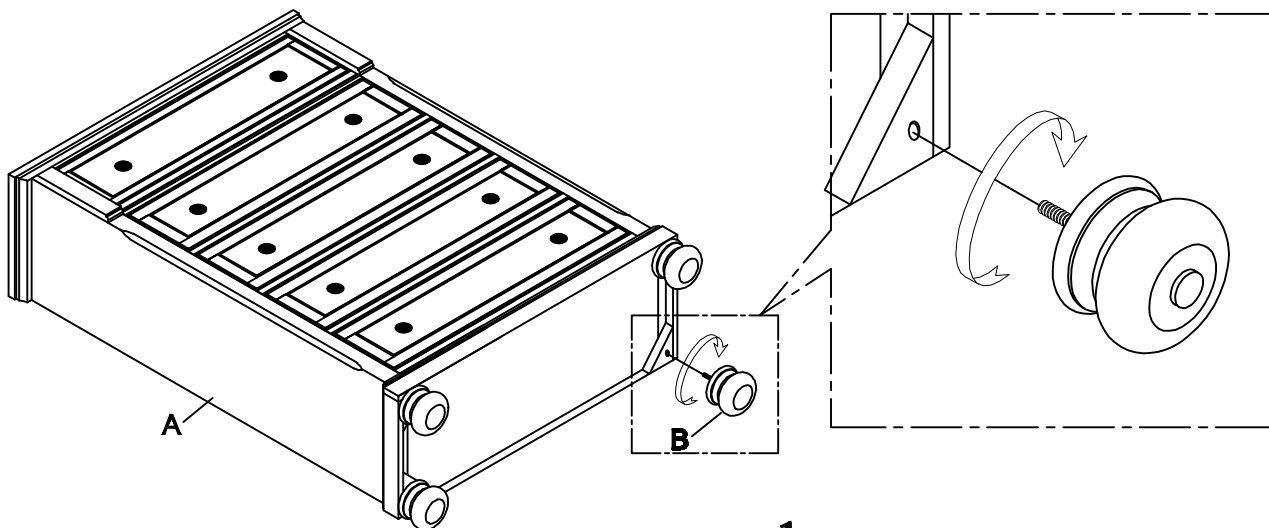
MADE IN VIETNAM

# Assembly Instruction

## CHEST

NO.		Part list	Q' TY
A		Cabinet	1PC
B		Leg	4PCS

NO.	HARDWARE LIST:		Q' TY
1		TIPPING RESTRAINT	1PC



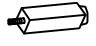


Assembly completed

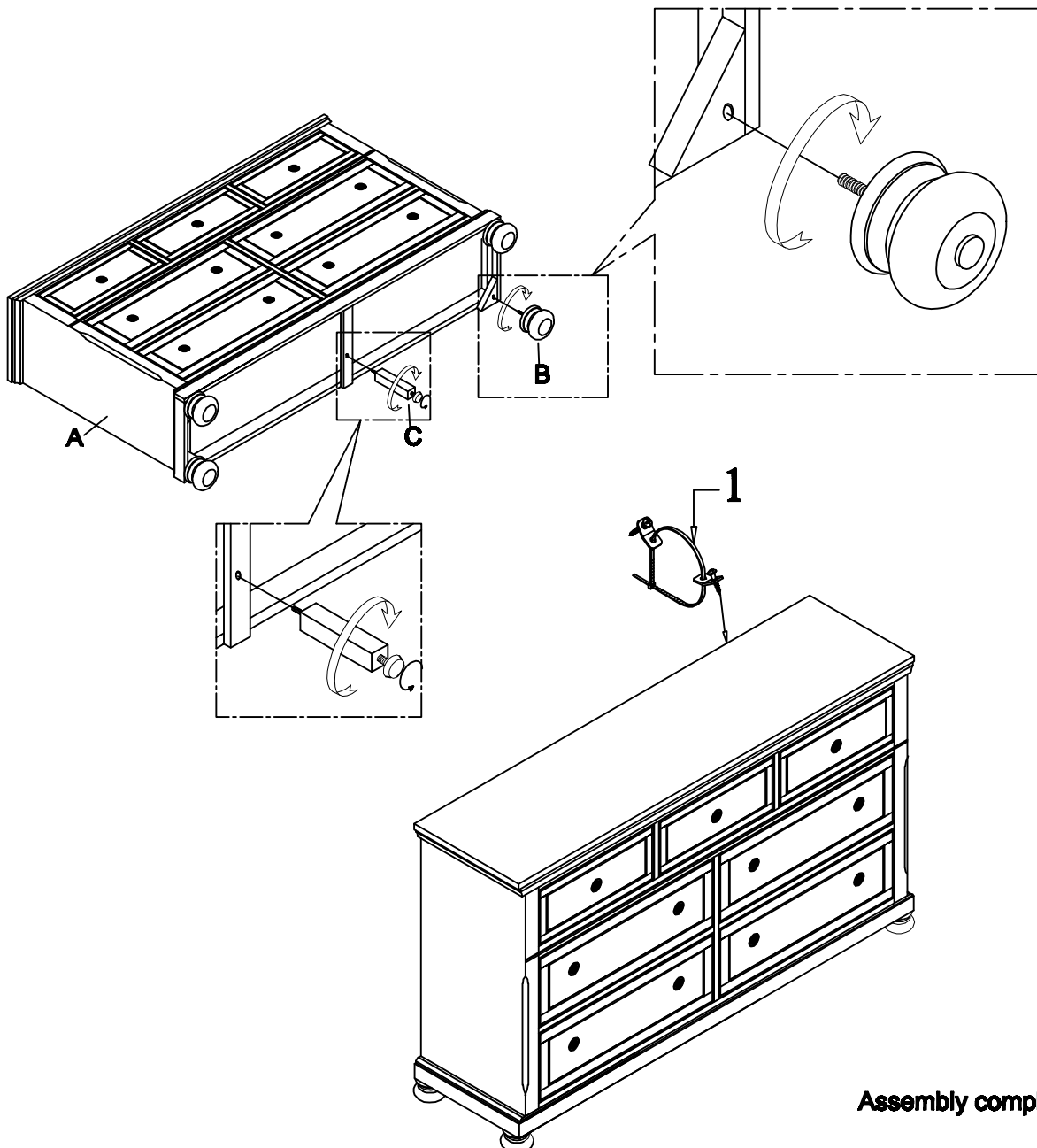
MADE IN VIETNAM

# Assembly Instruction

## DRESSER

NO.		Part list	Q' TY
A		Cabinet	1PC
B		Leg	4PCS
C		Support Leg	1PC

NO.		HARDWARE LIST:	Q' TY
1		TIPPING RESTRAINT	1PC






Assembly completed

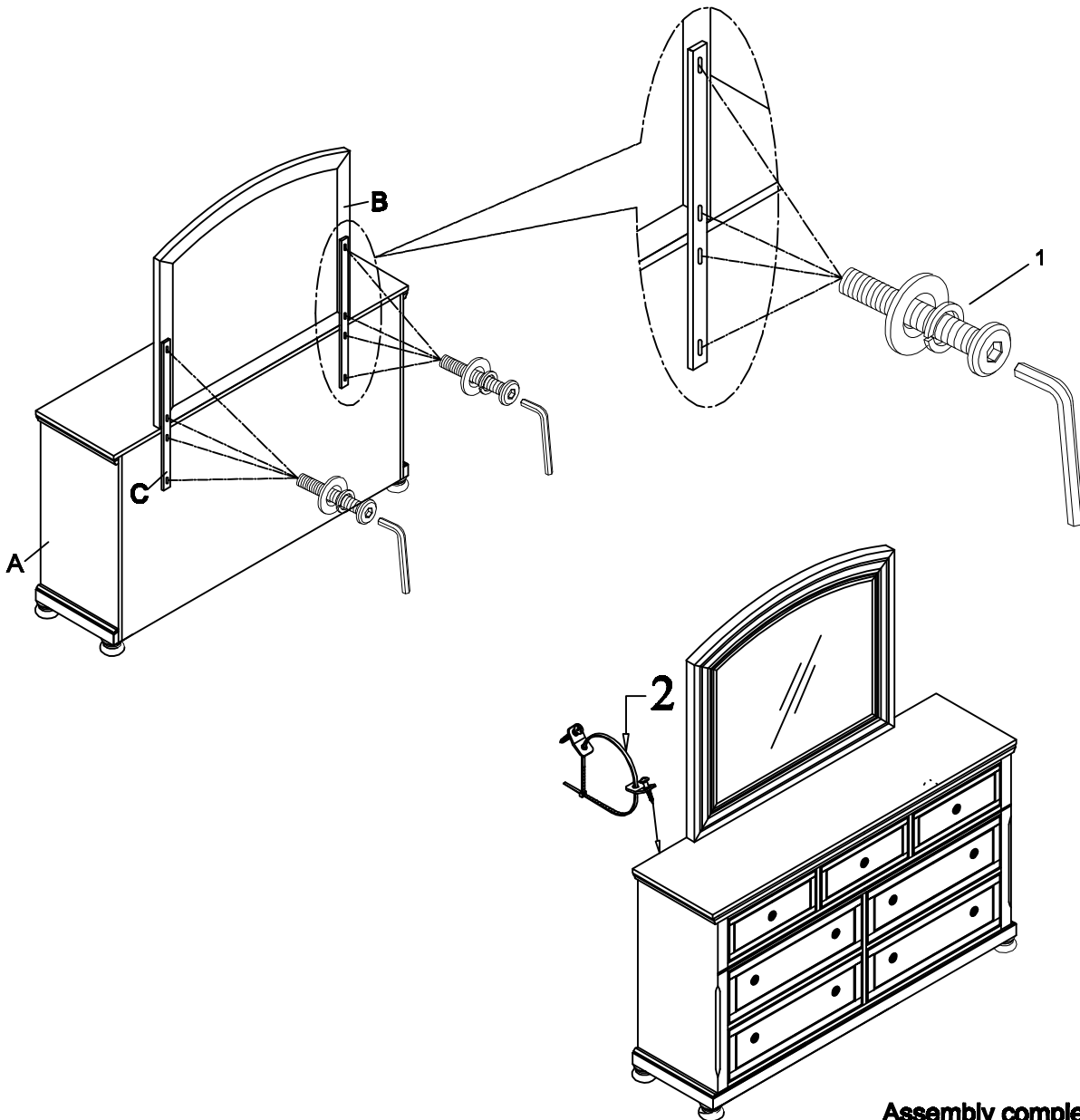
MADE IN VIETNAM

# Assembly Instruction

## MIRROR

NO.	Part list	Q' TY
A	 Dresser	1PC
B	 Mirror	1PC
C	 Support Slats	2PCS

NO.	Hardware List	Q' TY
1	 Ø1/4" *1-1/2"L Allen Bolt	8PCS
	 Ø1/4" Spring washer	8PCS
	 Ø1/4"*Ø19mm Flat washer	8PCS
	 Allen wrench (4mm)	1PC
2	 TIPPING RESTRAINT	1PC





Assembly completed

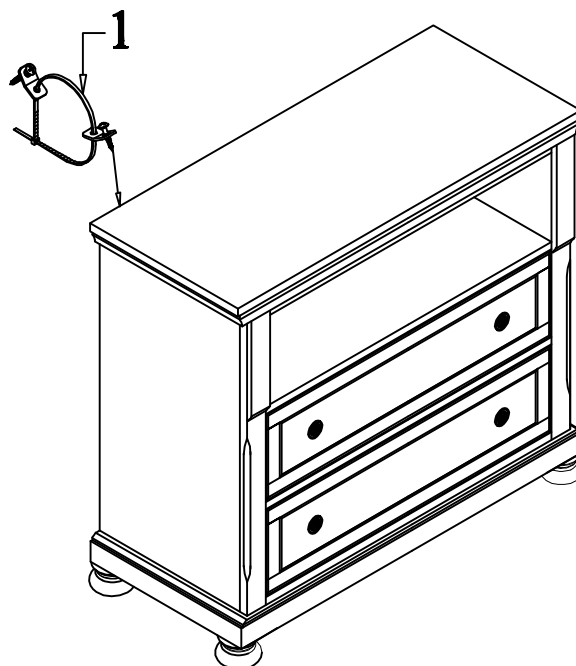
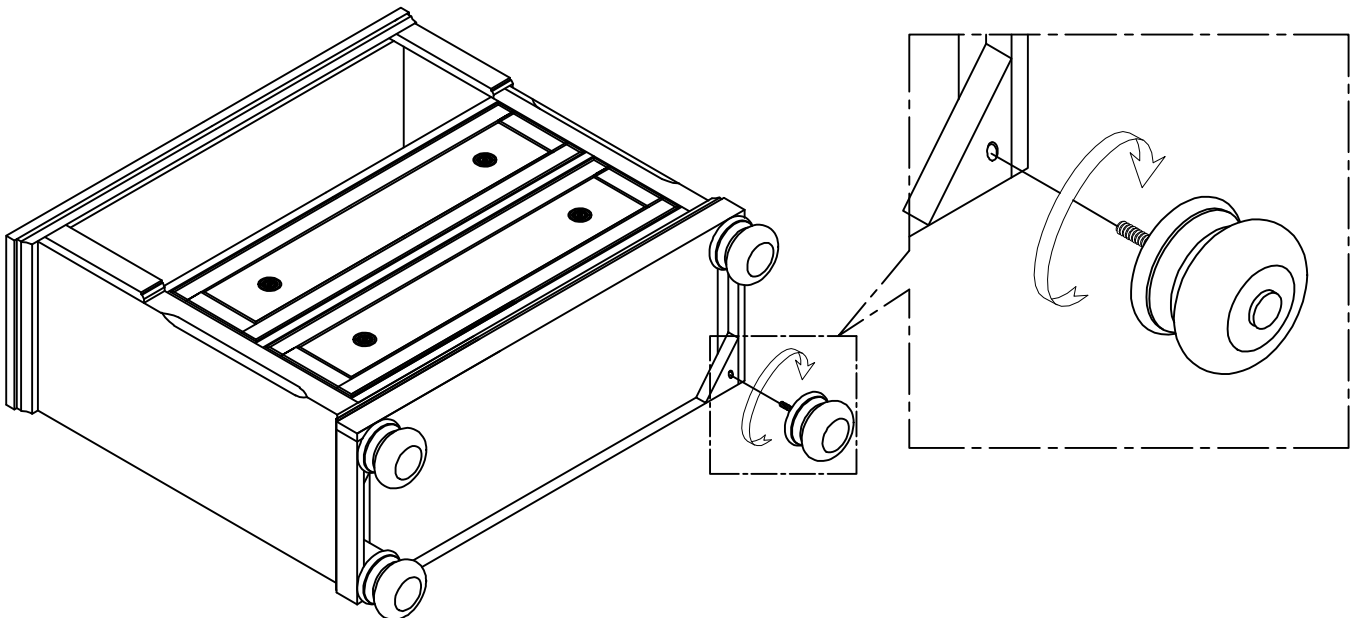
MADE IN VIETNAM

# Assembly Instruction

## MEDIA CONSOLE

NO.		Part list	Q' TY
A		Cabinet	1PC
B		Leg	4PCS

NO.		HARDWARE LIST:	Q' TY
1		TIPPING RESTRAINT	1PC



Assembly completed

MADE IN VIETNAM