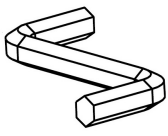
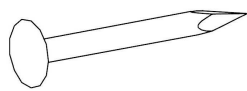
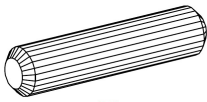
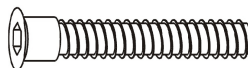

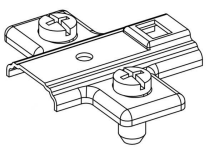
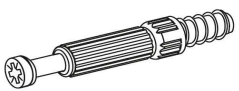
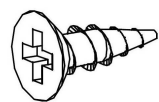

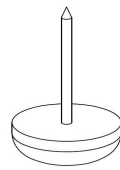


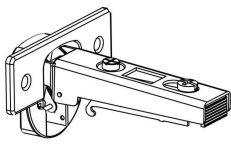
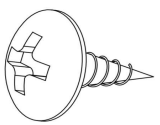
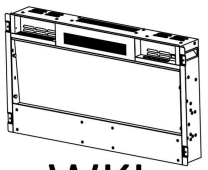
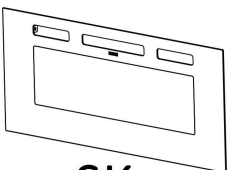
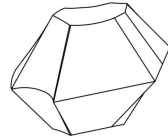
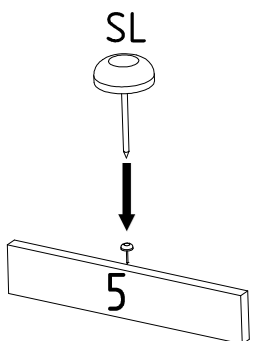
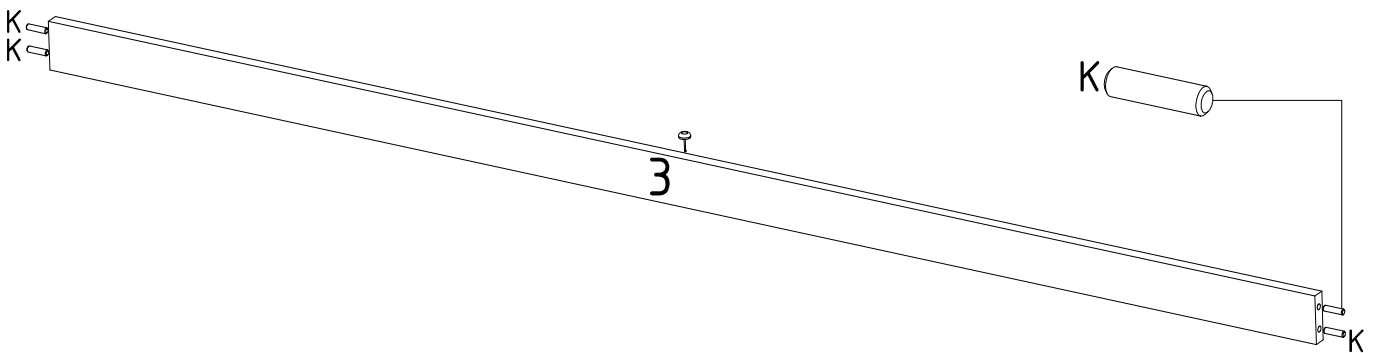
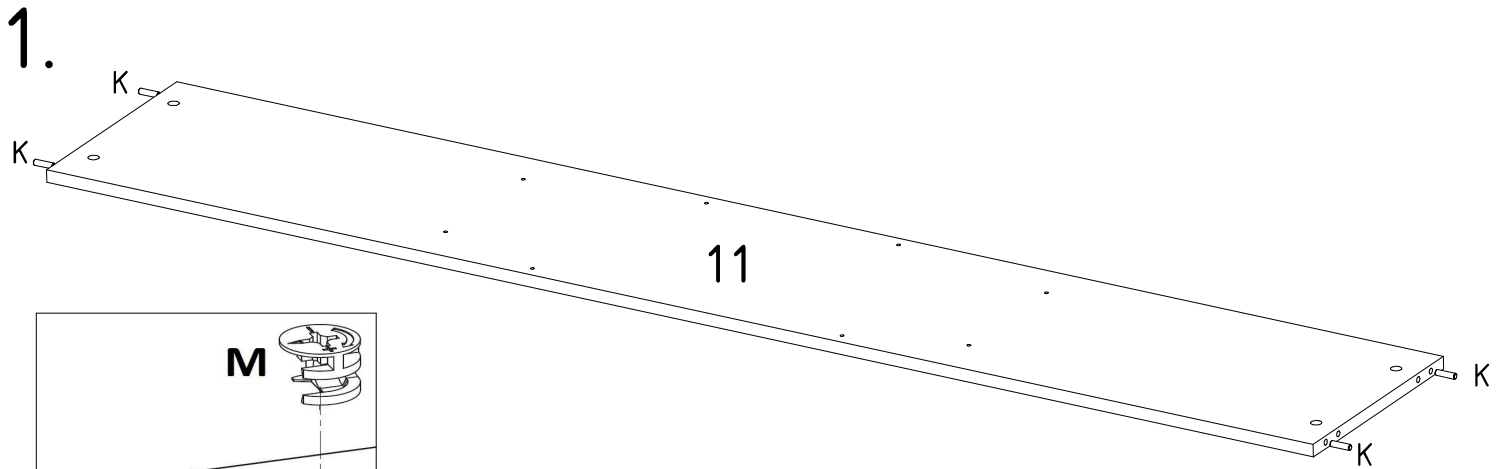
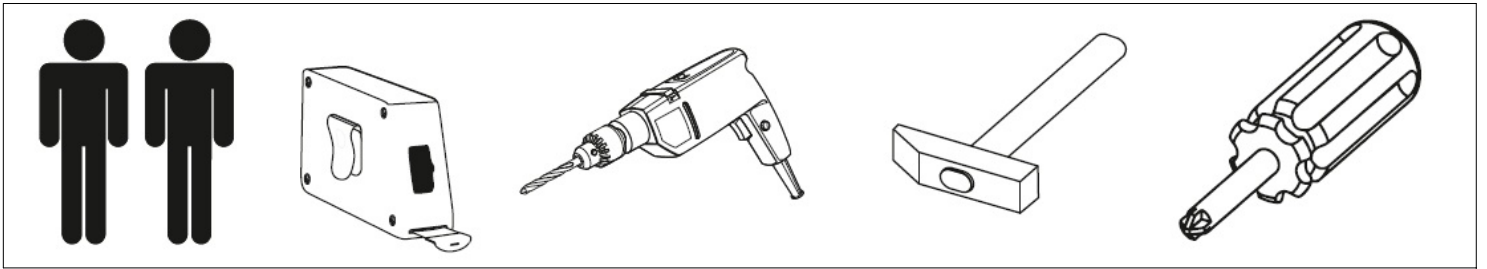
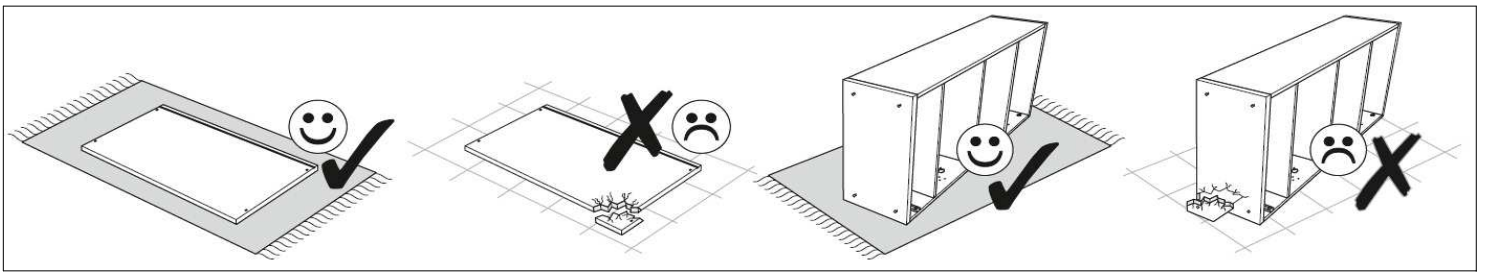


Table accessories

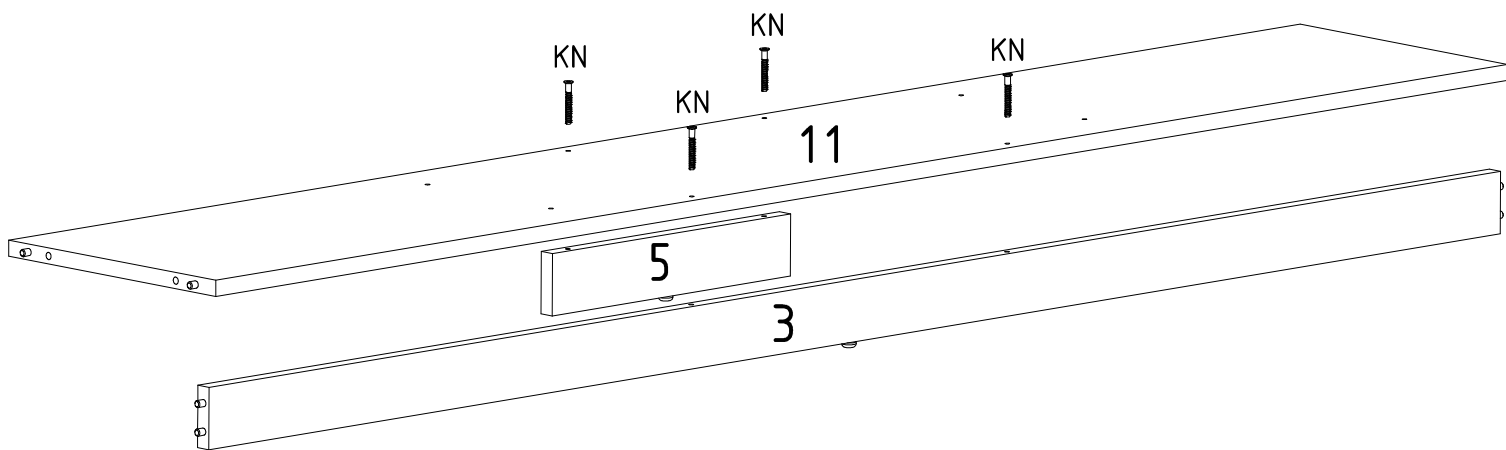
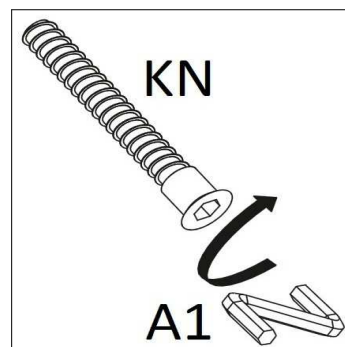
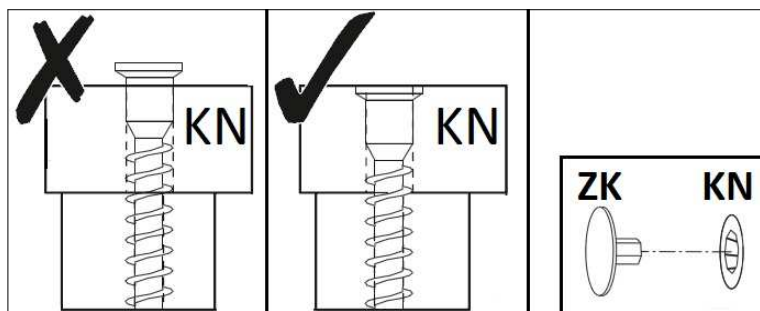
KOM_02

 A1	 G	<p>8 x 30</p>  K	<p>6,3 X 50</p>  KN	<p>15 x 12</p>  M
 PE	<p>6 x 34 mm</p>  T	<p>4 x 16</p>  W16	<p>4 X 25mm</p>  W4	 SL
 Z	 ZK	 ZPH		
 WK	 WKL	 SK	 KRD	

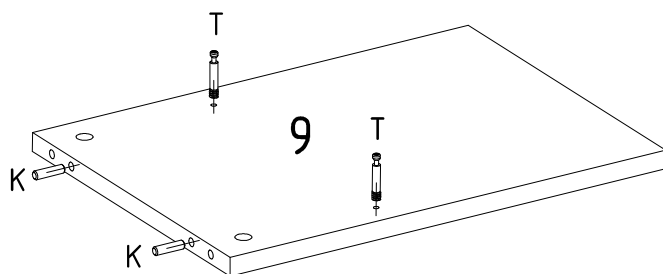
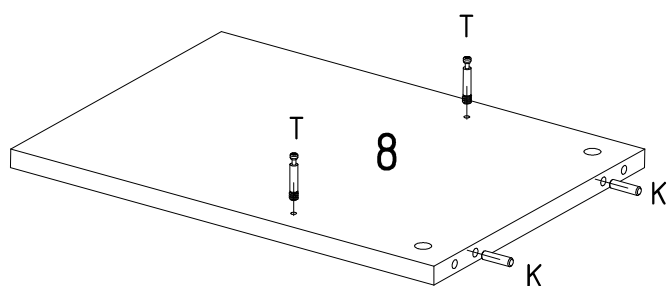
Elements				Accessories	
SYMBOL	LENGTH in	WIDTH in	QUANTITY	SYMBOL	QUANTITY
BL [1]	21.38	13.07	1	A1	1
BP [2]	21.38	13.07	1	G	50
CD [3]	77.28	2.76	1	K	16
FT [4]	19.25	12.28	2	KN	8
LT [5]	14.25	2.76	1	KRD (attached to the electric fireplace)	145
PC1 [6]	78.54	10.32	1	M	20
PC2 [7]	78.54	8.78	1	PE	4
PPI01 [8]	17.91	12.84	1	SK (attached to the electric fireplace)	1
PPI02 [9]	17.91	12.84	1	SL	6
PPO [10]	22.32	13.07	2	T	20
WD [11]	77.28	13.07	1	W16	8
WG [12]	78.74	13.07	1	W4	4
				WK (attached to the electric fireplace)	6
				WKL (attached to the electric fireplace)	1
				Z	20
				ZK	8
				ZPH	4



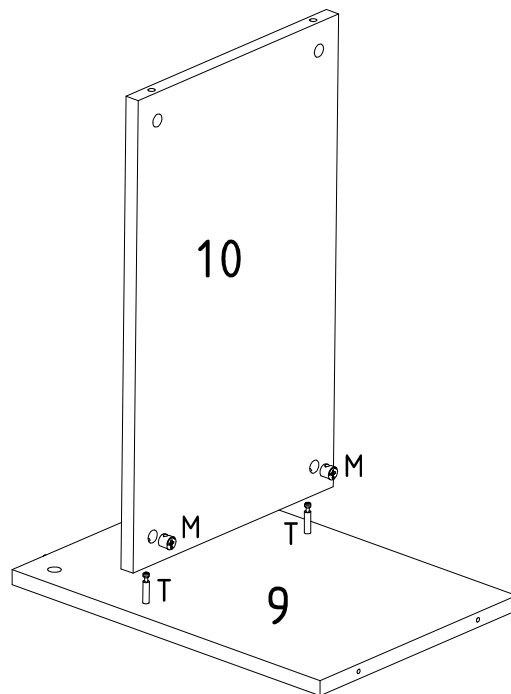
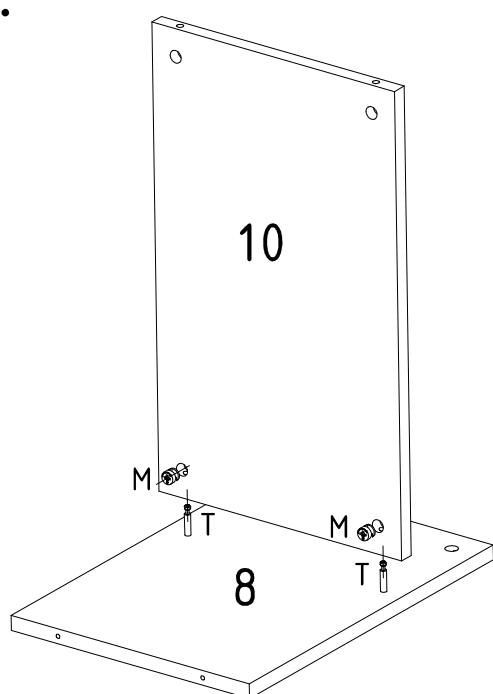
2.

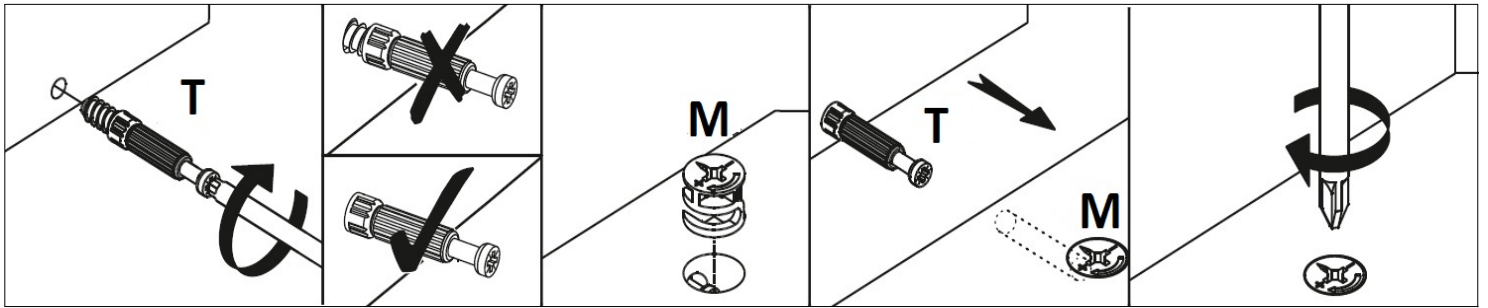


3.

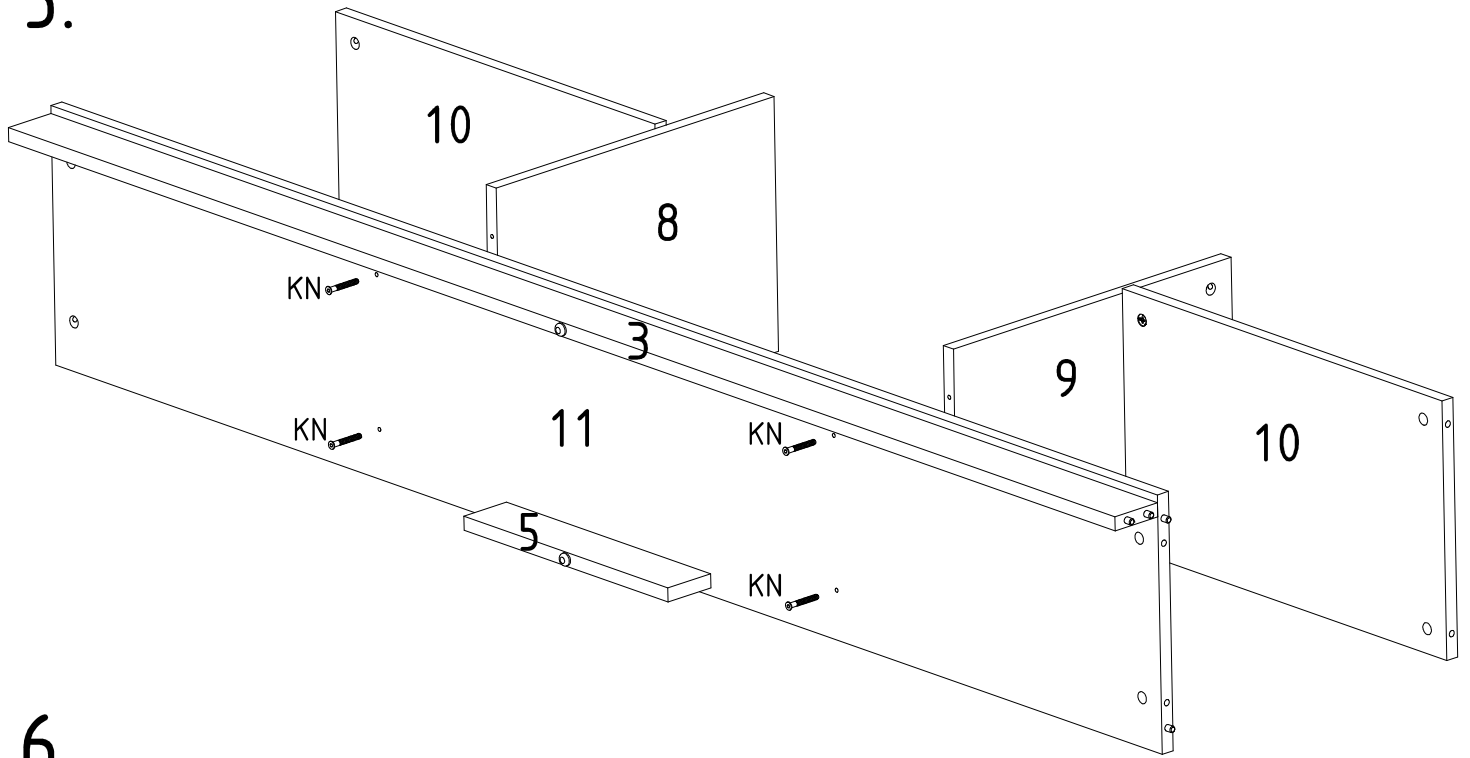


4.

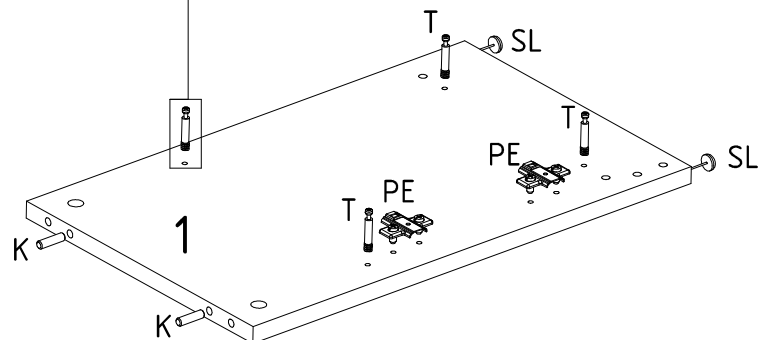
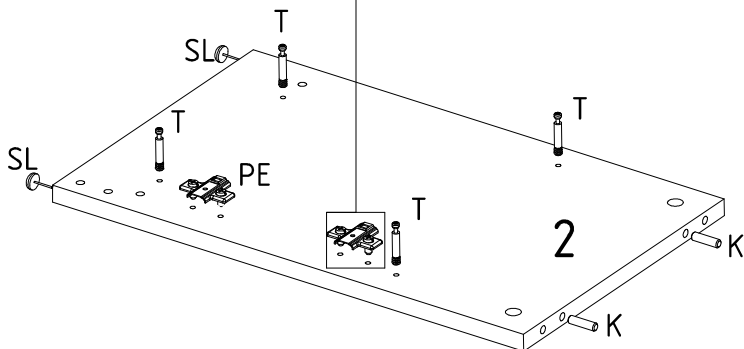
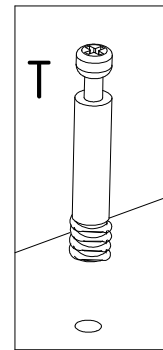
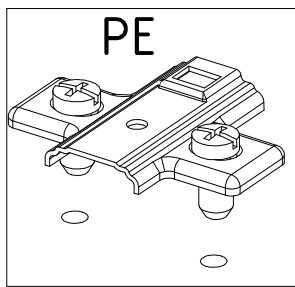


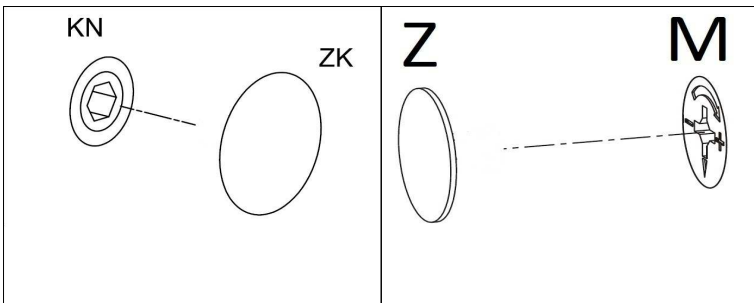
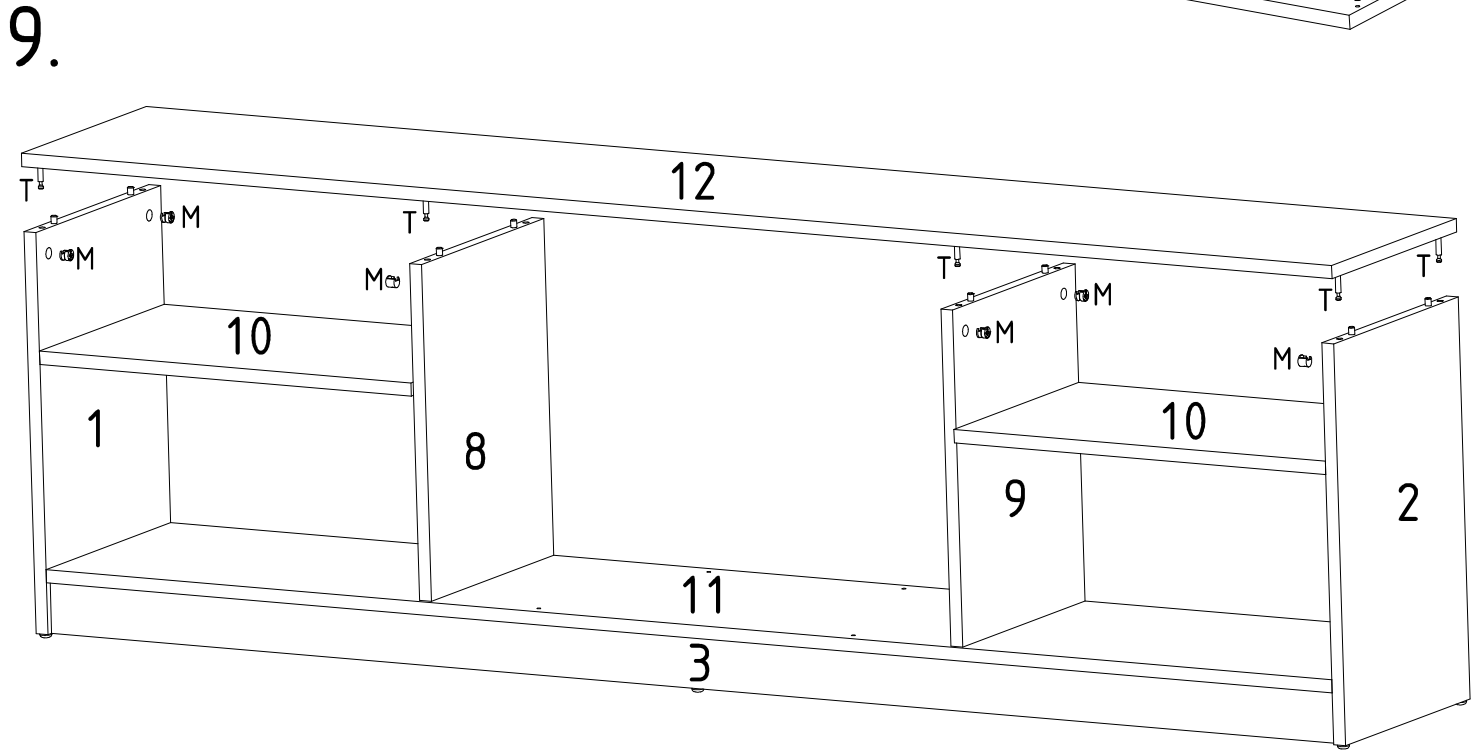
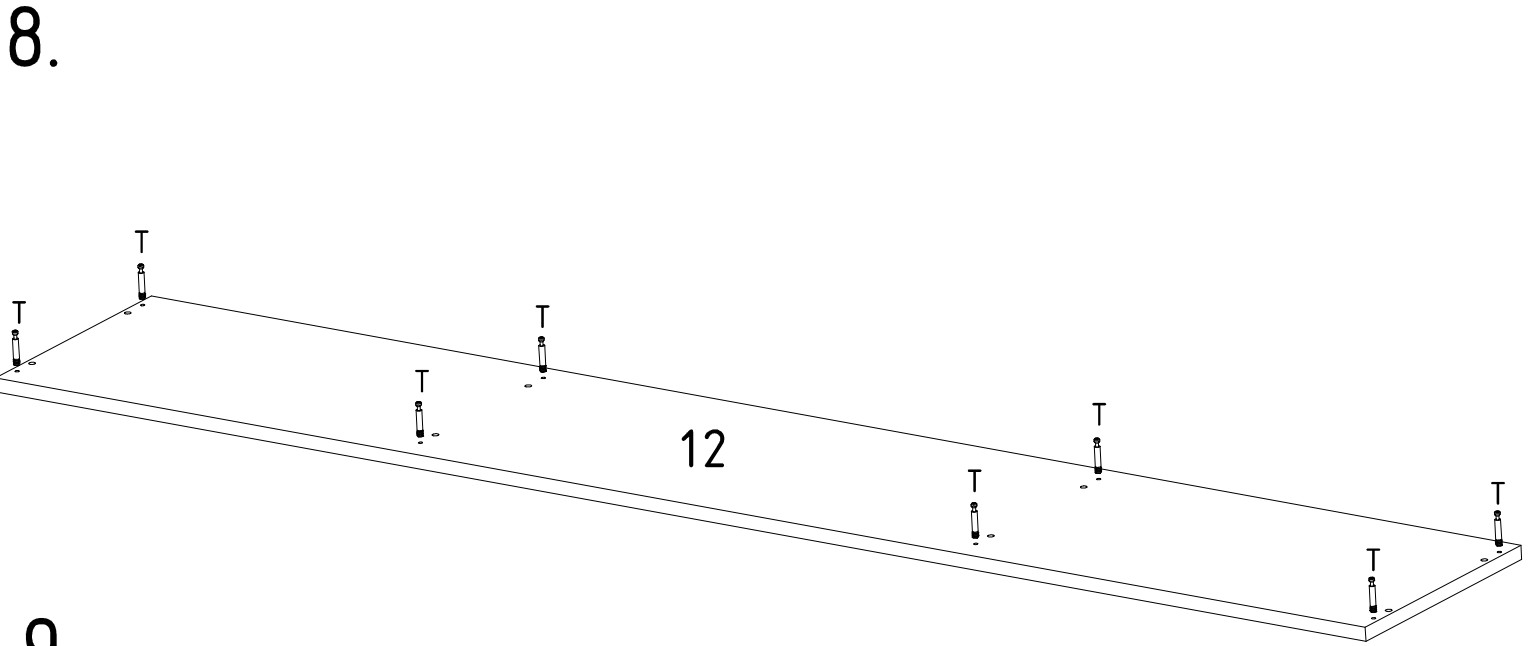
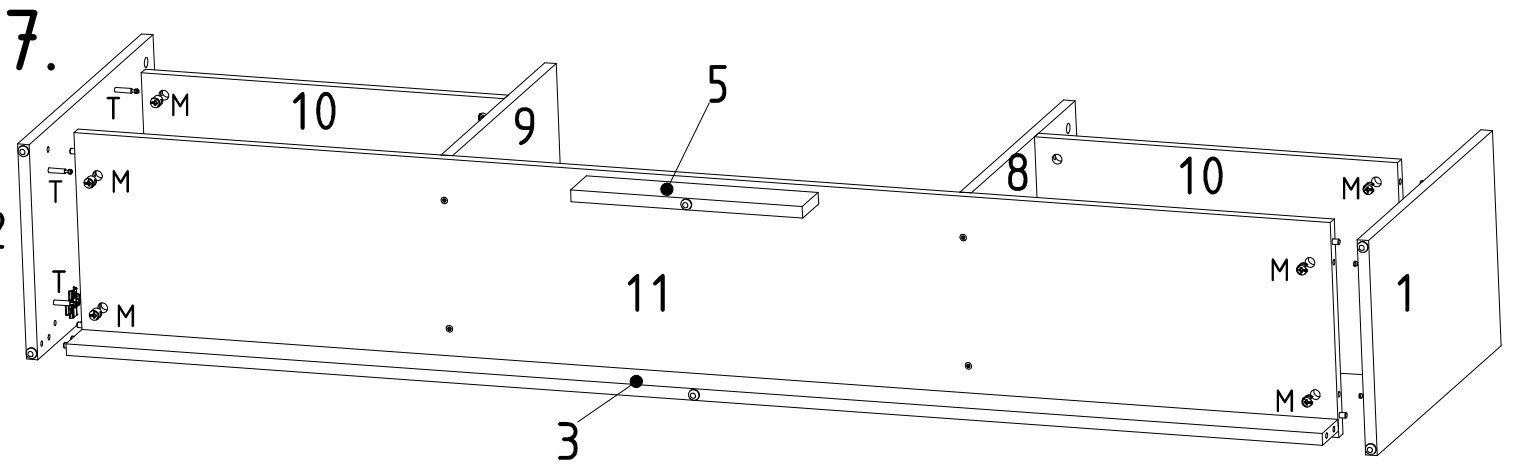


5.

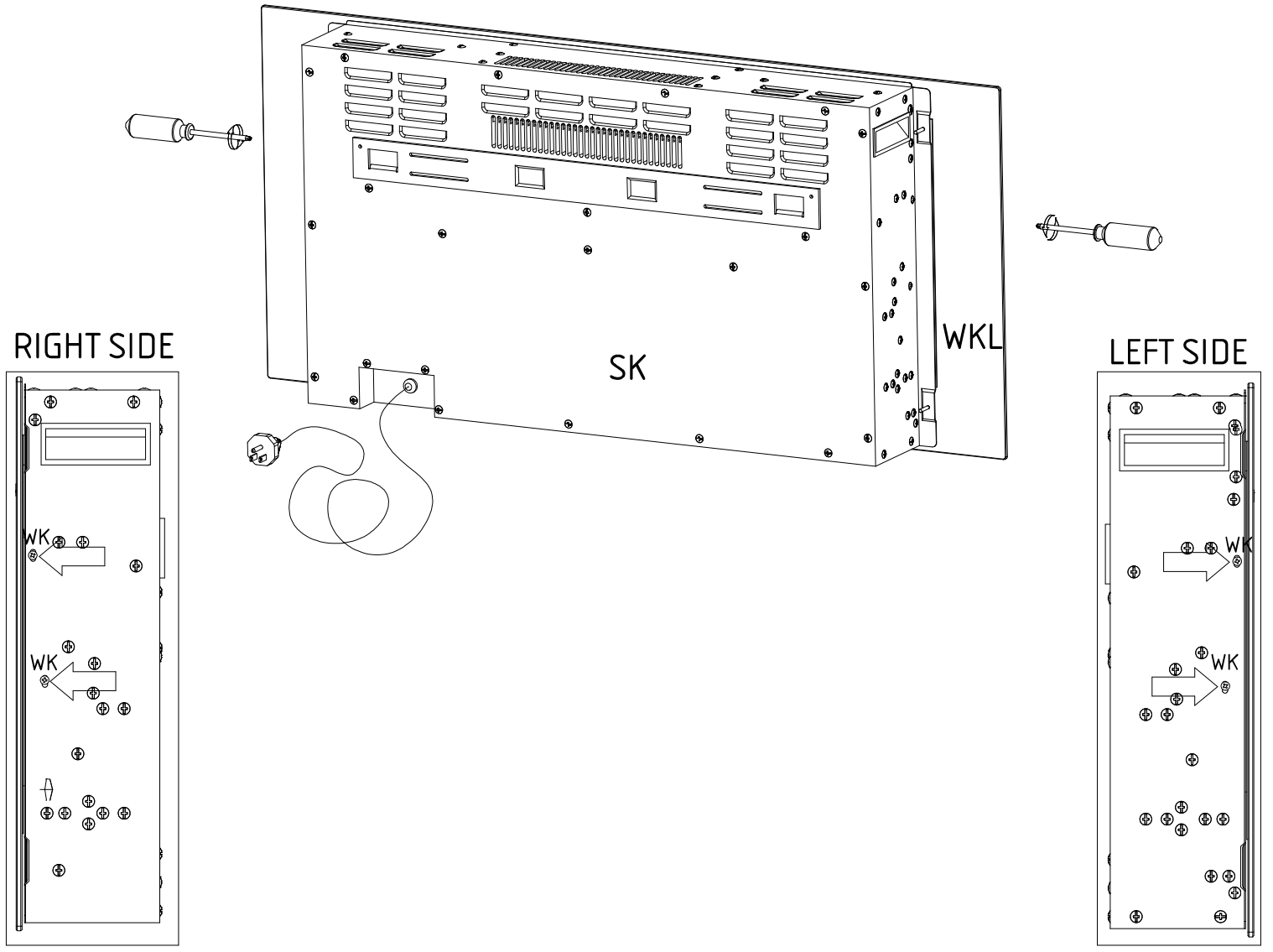


6.

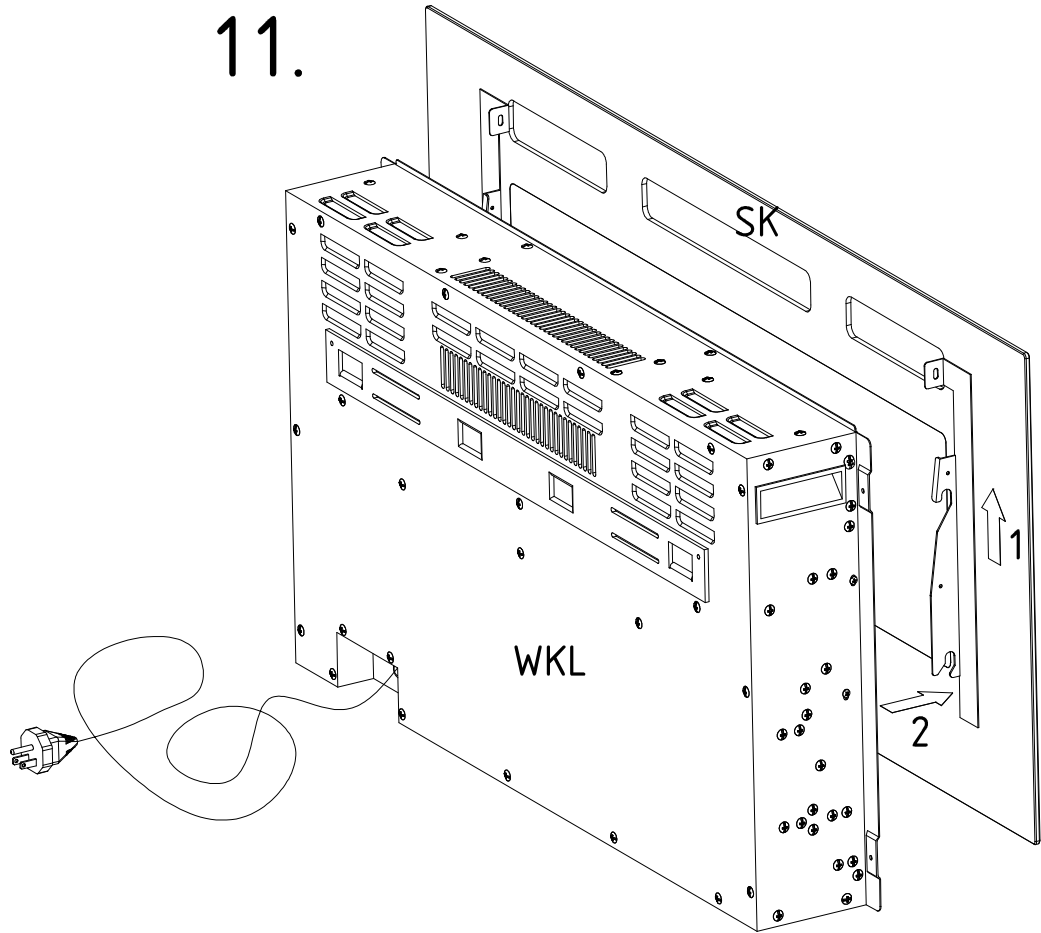




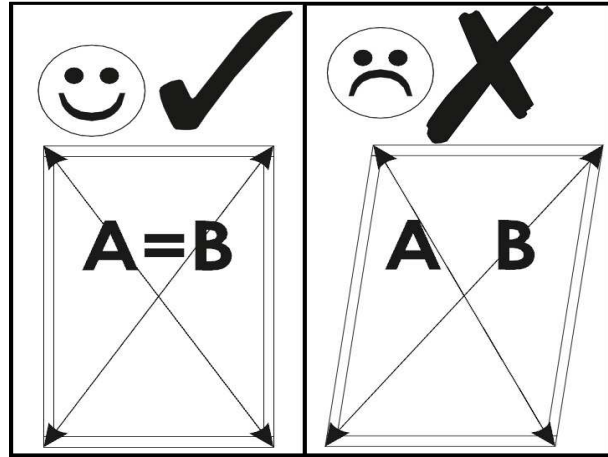
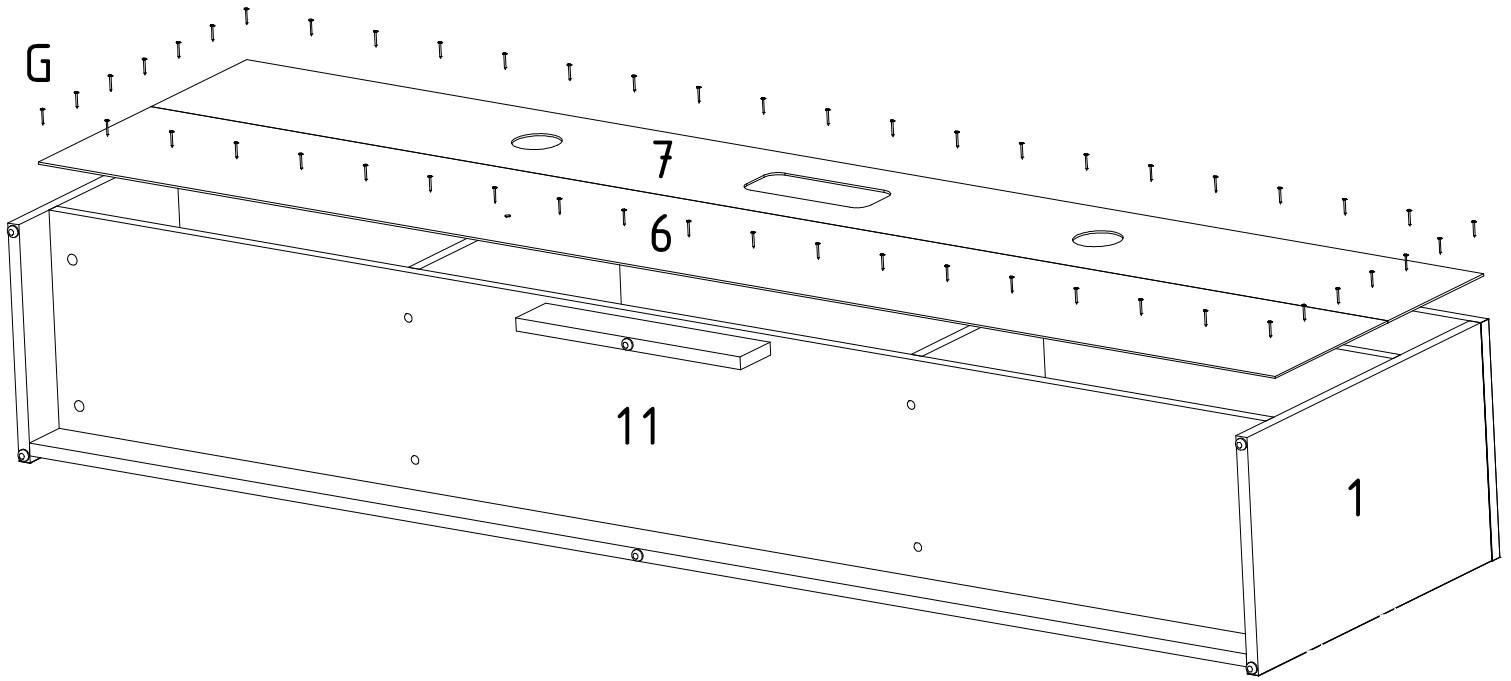
10.



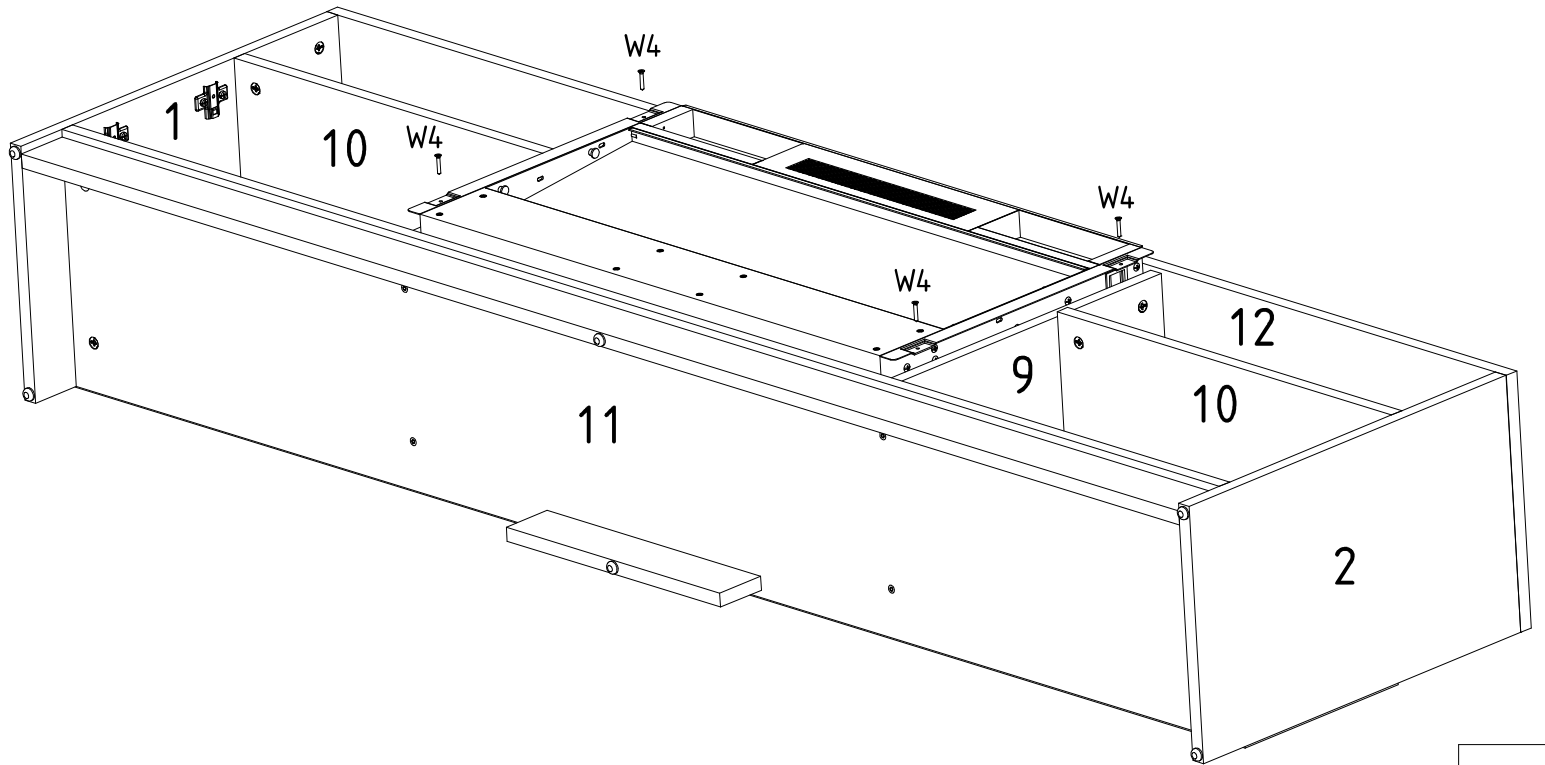
11.



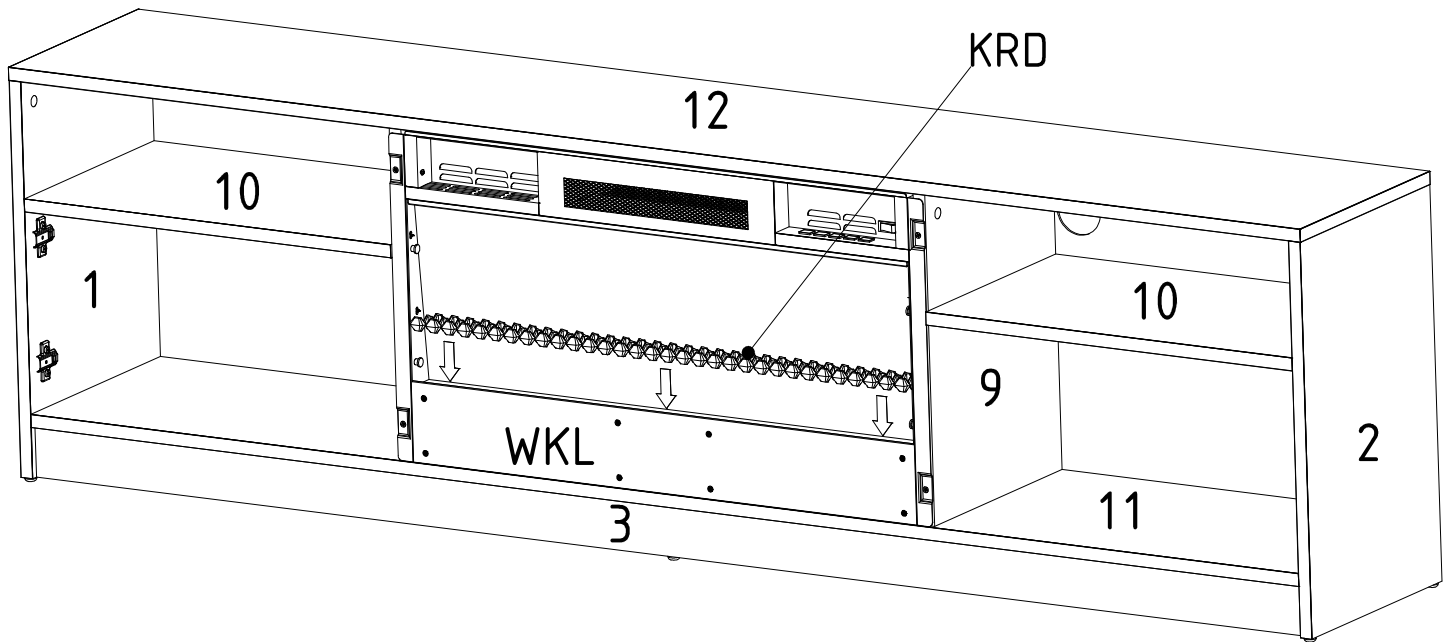
12.



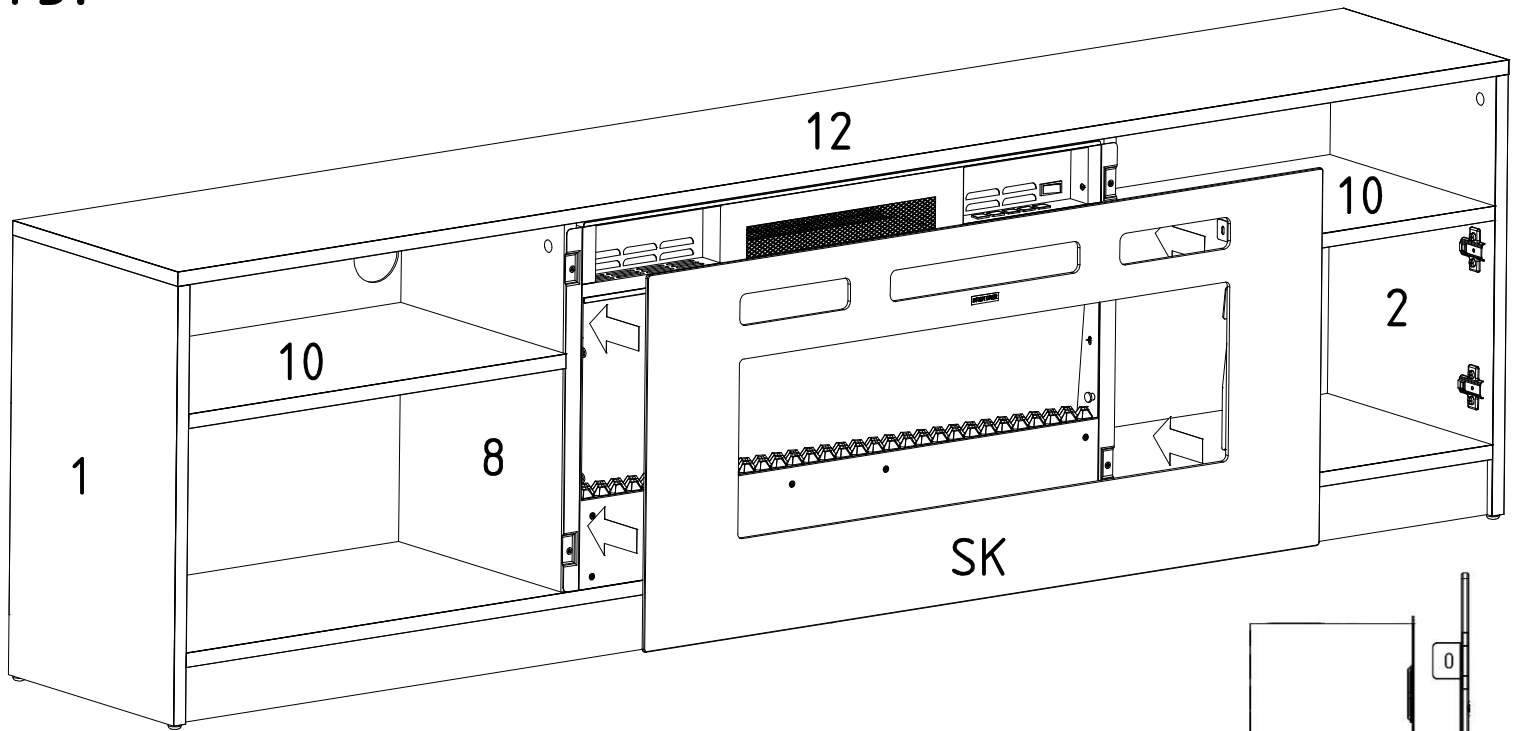
13.



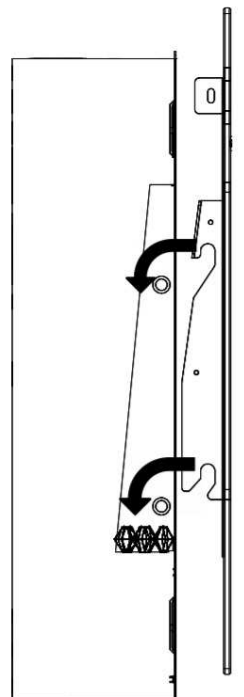
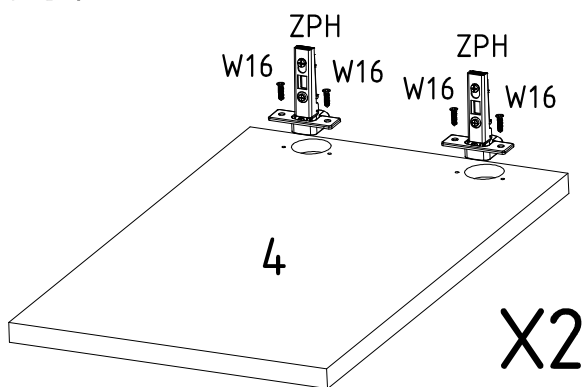
14.



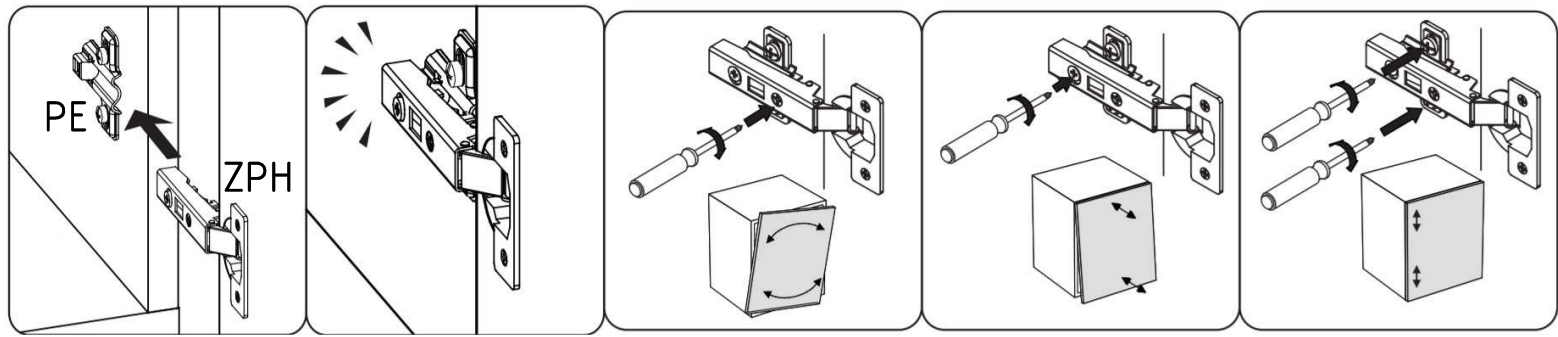
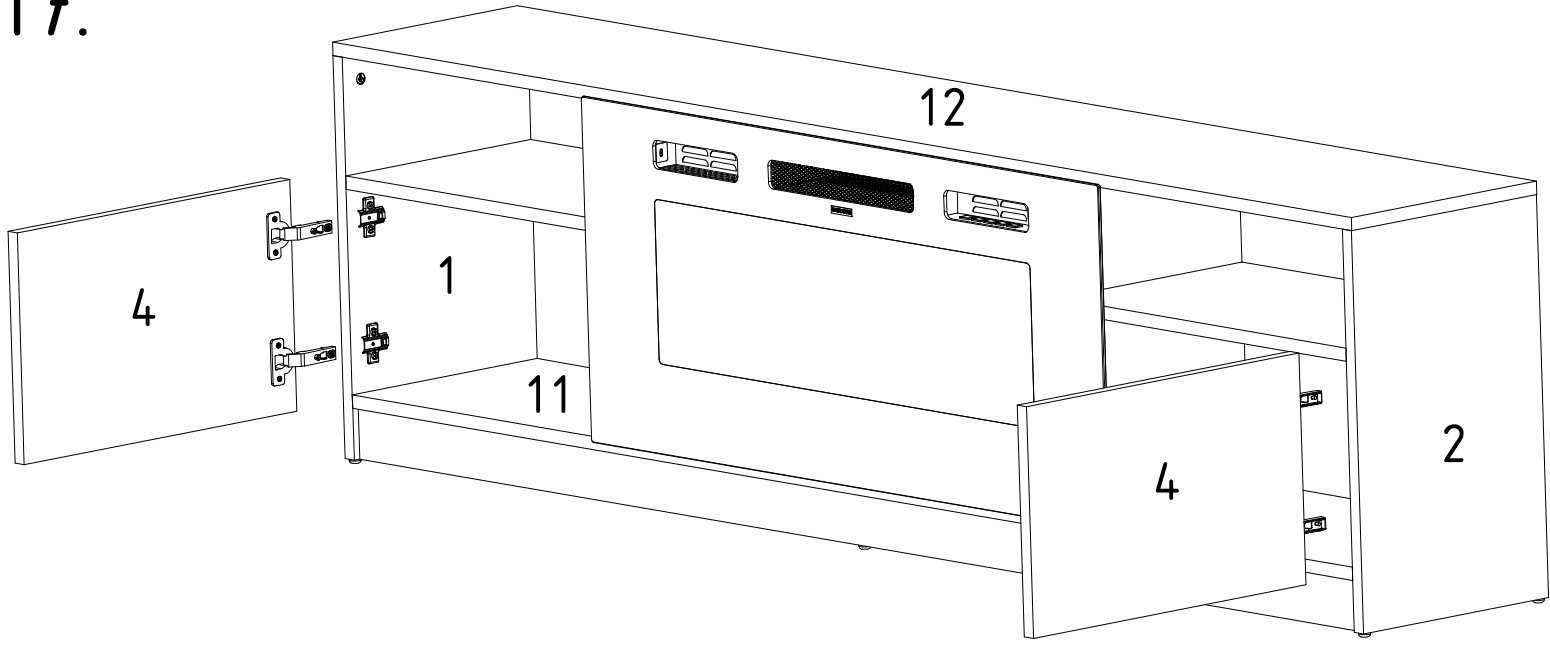
15.



16.



17.



18.

LED UNDER TOP

