




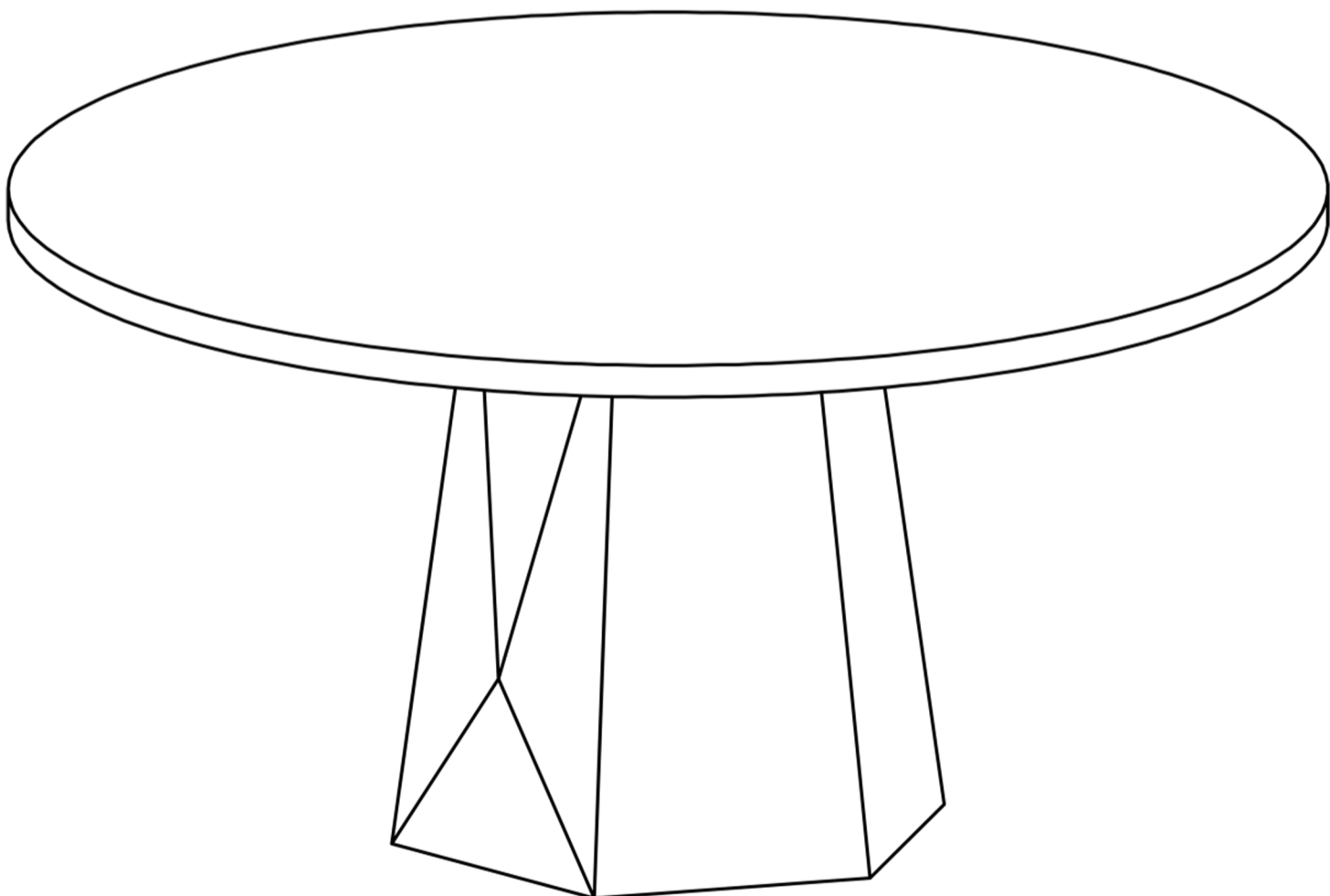


## Assembly Instruction

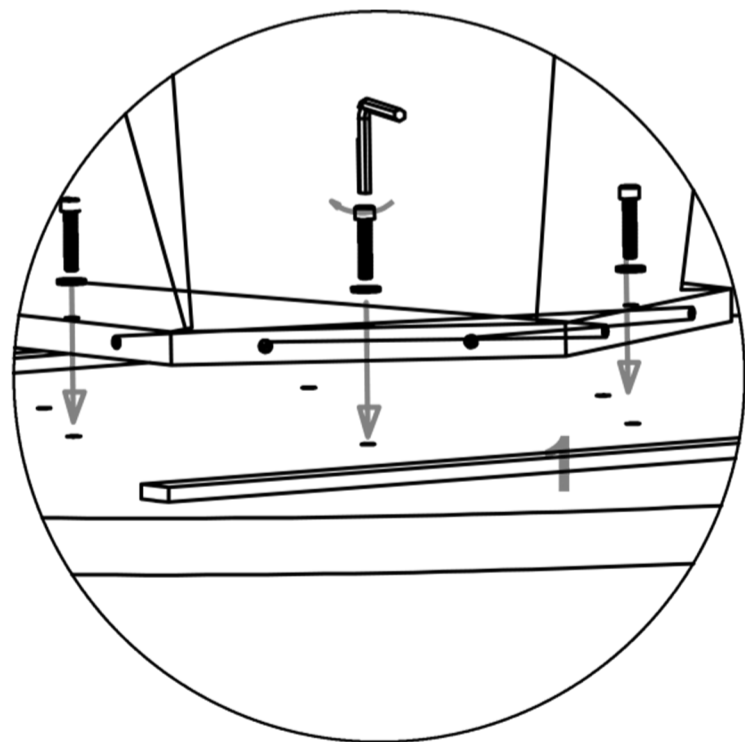
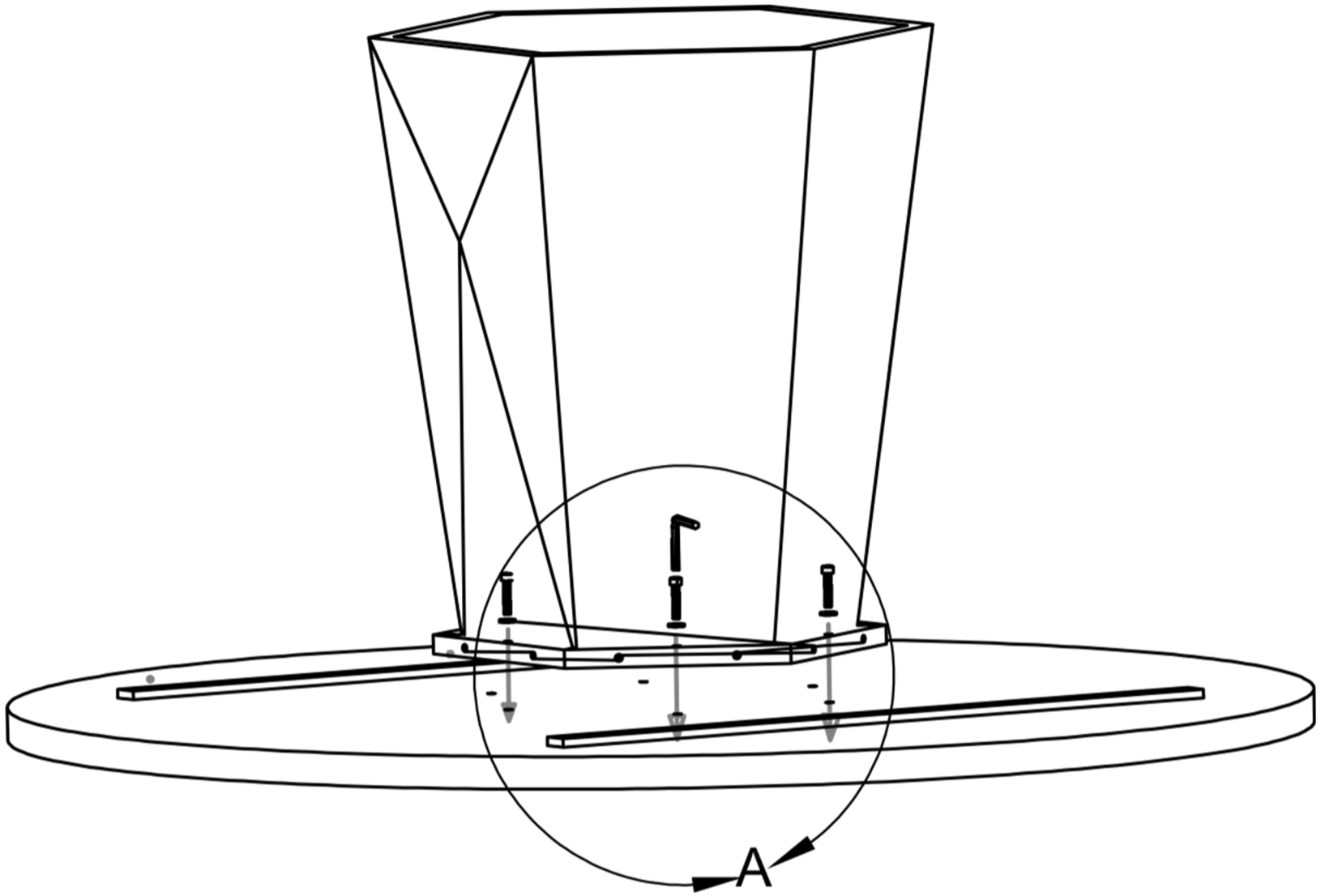
### Hardware and Component List:

No.	Hardware/Component List	Quantity
1	 Table Top	01
2	 Base	01
3	 ALLEN BOL.T M8X50MM	06
4	 Washer 10X25MM	06
5	 Allen Key 6MM	01



Assembly Instruction

1



DETAIL A