

Features

- 29⁷/₈" (759) x 20¹/₄" (514) x 10" (254) undermount kitchen sink.
- Sized to fit standard cabinet front
- Large single compartment.
- Farmhouse style with a wrap around 6⁵/₈" (168) high apron front.
- Handcrafted from 16 gauge 304 stainless steel. Channel grooves in sink bottom direct water to drain.
- Premium brush finish.
- Includes a stainless steel bottom sink grid and stainless covered flip-top sink strainer.
- 3/8" (10mm) radius corners.
- 5mm sound deadening pads.
- Fits 30" (762) base cabinet width.

Components

- Product includes:
 TSGD30201 Bottom Sink Grid
 2210R Covered Sink Strainer
 Cutout Template
 Installation Hardware
 Installation Instructions

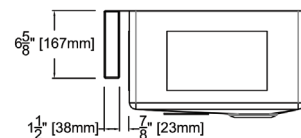
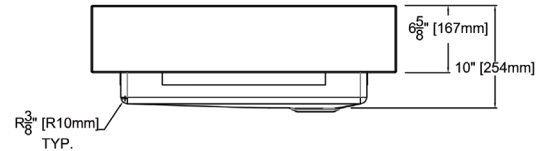
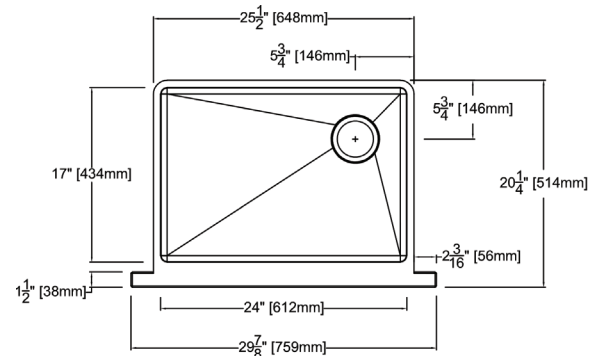
Warranty

- Lifetime Limited Warranty



Specified Model

Model	DUSSF302010
Overall Dimensions	L29 ⁷ / ₈ " x W20 ¹ / ₄ " x D10" 7590 x 514 x 254
Bowl Dimensions	L24" x W17" x D10" 612 x 434 x 254
Drain hole:	3 ⁵ / ₈ " (92mm)
Shipping Weight	43 lbs.
Material	16 gauge 304 stainless steel
Installation	under counter mounted
Required	template, included



Codes/Standards

ASME A112.19.3/CSA B45.4

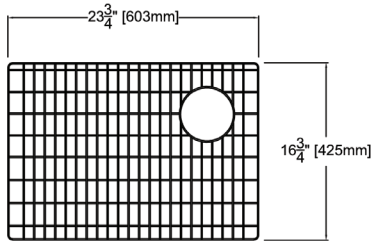
Notes

Install this product according to the installation instructions.

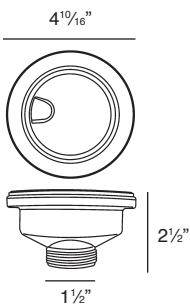
Components

Product includes:

TSGD30201 Bottom Sink Grid Set



2210R Covered Flip Top Sink Strainer.



Water drains easily when cover is in place. Cover flips up with easy touch. Polypropylene housing. Fits standard 3¹/₂" opening.

Optional 2310 Remote Covered Flip Top Sink Strainer is available.

Optional 4010 Covered Flip Top Disposer Strainer is available.

See Accessories to order.