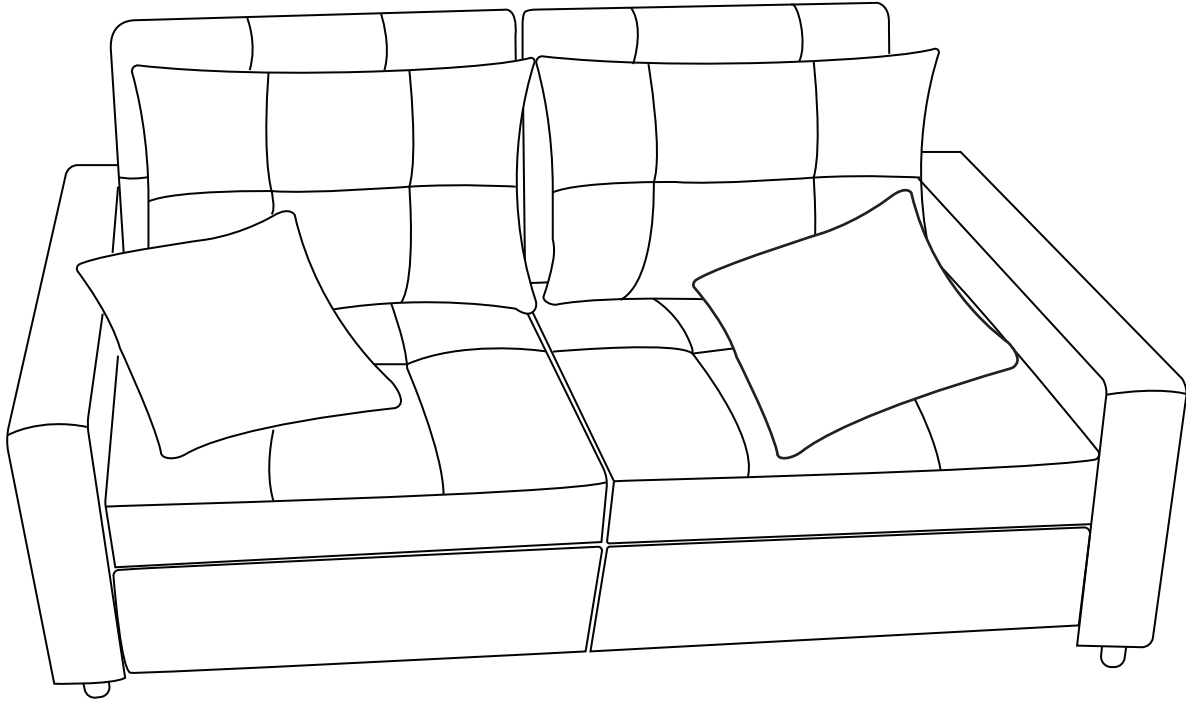


Sleeper Loveseat Sofa Bed Assembly Instructions



Attention

1. Please check the manual carefully and make sure you have received all the parts in 3 boxes as listed below.
2. Assemble step by step. Feel free to contact us if you have missing parts or questions during assembly.
3. We recommend to assemble the sofa bed with 2 people.
4. The sofa cover can be removed. A dust collector can help if it is dirty.
5. Left and right is based on the idea that when you sit on the couch, left is your left hand side and vice versa is your right hand side.

Before install it, please see these attentions

FAQ

Please take out all the accessories.If you still can't find these accessories, please check the parts list and tell us the numbers of missing parts.We will offer good solutions for you asap.

Q1:The frame base and screw can't be installed or the hole position is not, which makes it impossible to install or difficult to install.

A4:Please insert all screws into holes first, don't tighten them until they are all aligned. If you still can't assemble it, kindly send some pictures or video to us for help.

Q2:Unable to adjust the backrest.


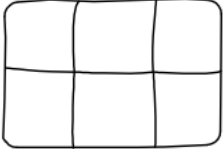







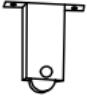










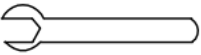
A2:This sofa bed has three adjustment levels of 105°, 143° and 180°.

When a clicking sound is heard, it means that a gear has been successfully adjusted. If it can't be adjusted, the hinge may be damaged. Please take a video and contact us via messages for help.

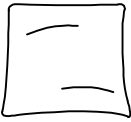
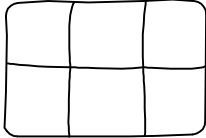

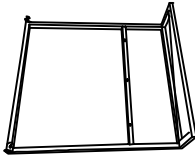
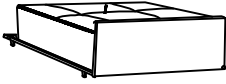
Q3:Some parts were damaged when arrived,such as Part E.

A3:Please send clear photos of damaged parts to us as attachment via message, we will check and offer the best solution for you asap,pls don't worry.

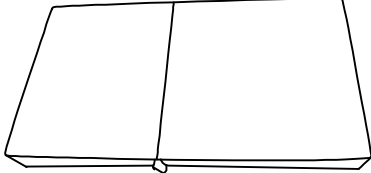
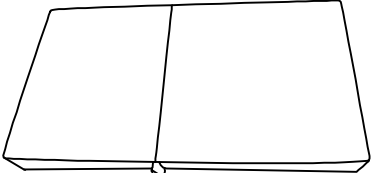
Package A Parts List

A  Pillow 1PC	B  Back Cushion 1PC	D  Left Arm 1PC	E  Frame Base Left 1PC	F  Rear Bed Part Left 1PC
V  Connector 1PC	G  Wooden Leg 4PCS	M  Caster 4PCS	N  Caster 4PCS	S  Pulley Wheel 8PCS
U  M8*100MM 1PC	O  M8*80MM 3PCS	J  M8*50MM 10PCS	P  M8*35MM 9PCS	K  M6*15MM 28PCS
R  M6*10MM 4PCS	Q  Screw Nut 5PCS	L  Washer 44PCS	H  Hex Key (M8) 1PC	I  Hex Key (M6) 1PC
T  Wrench 1pc				

Package B Parts List

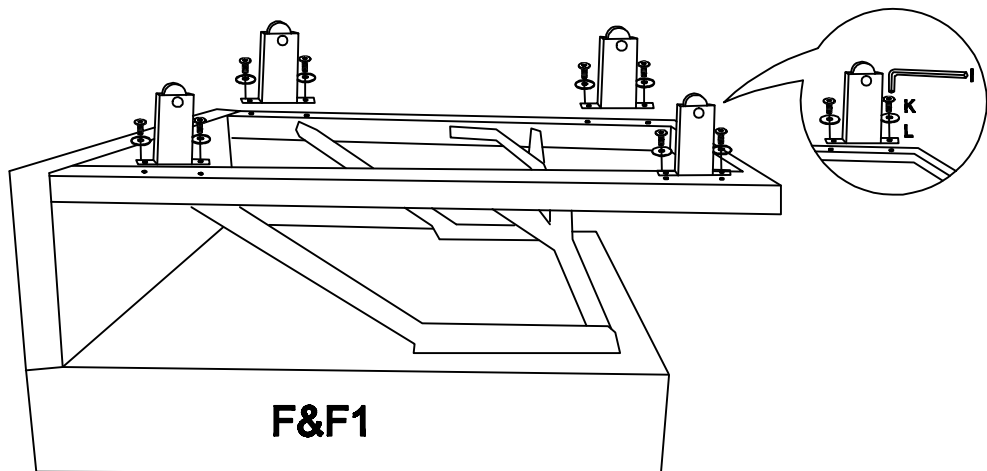
A  Pillow 1PC	B  Back Cushion 1PC	D-1  Right Arm-1PC	E-1  Frame Base right 1PC	F-1  Rear Bed Part Right 1PC
---	---	--	---	--

Package C Parts List

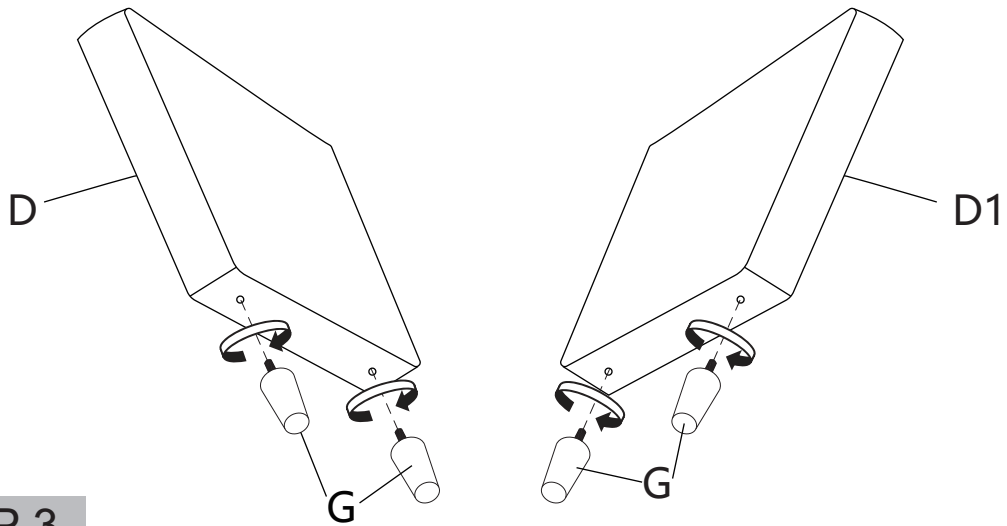
C  Seat Left 1PC	C-1  Seat Right 1PC
---	---

STEP 1

- F Rear Bed Part Left 1PC
- F-1 Rear Bed Part Right 1PC
- K M6*15MM 16PCS
- L Washer 16PCS

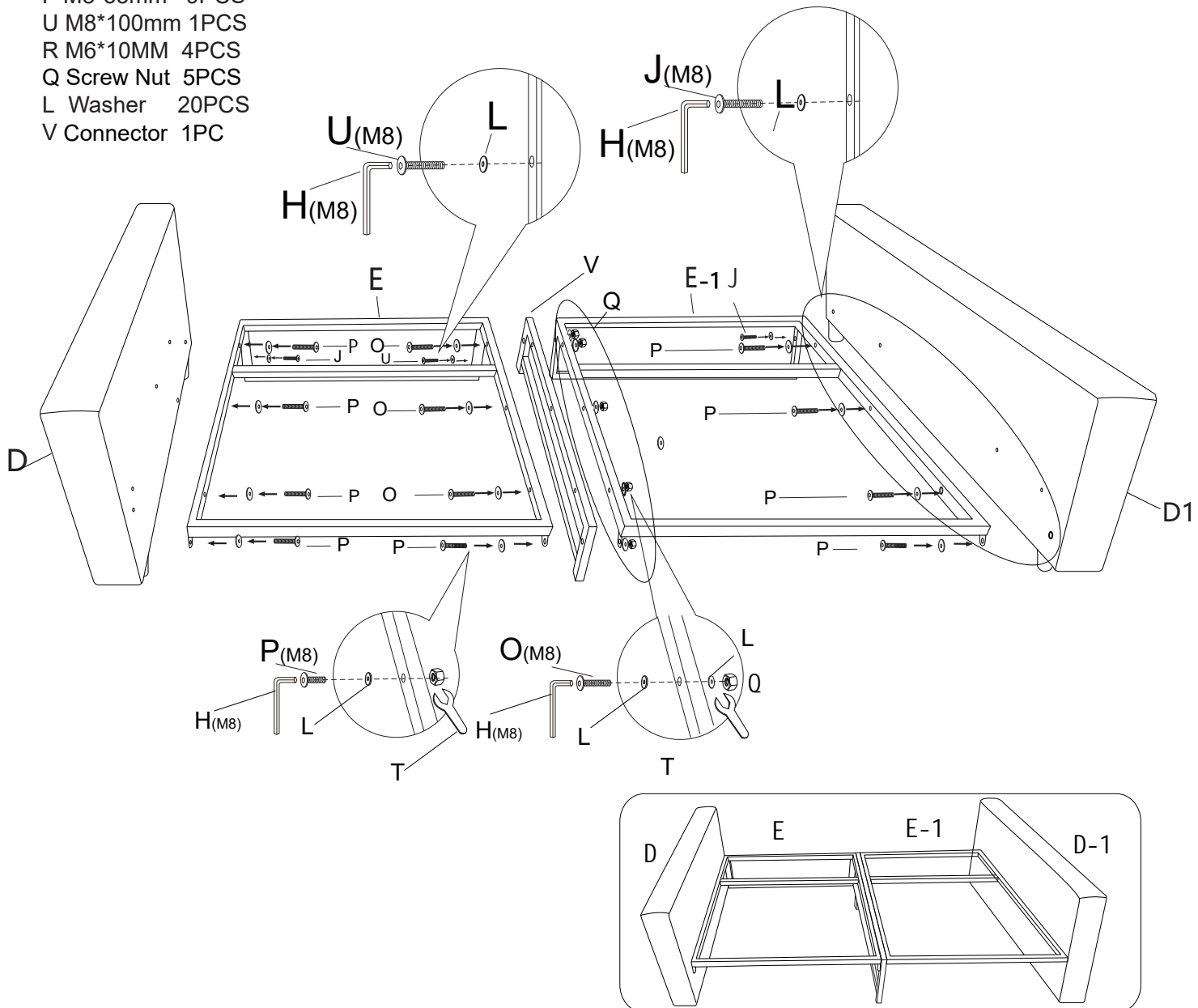


STEP 2



STEP 3

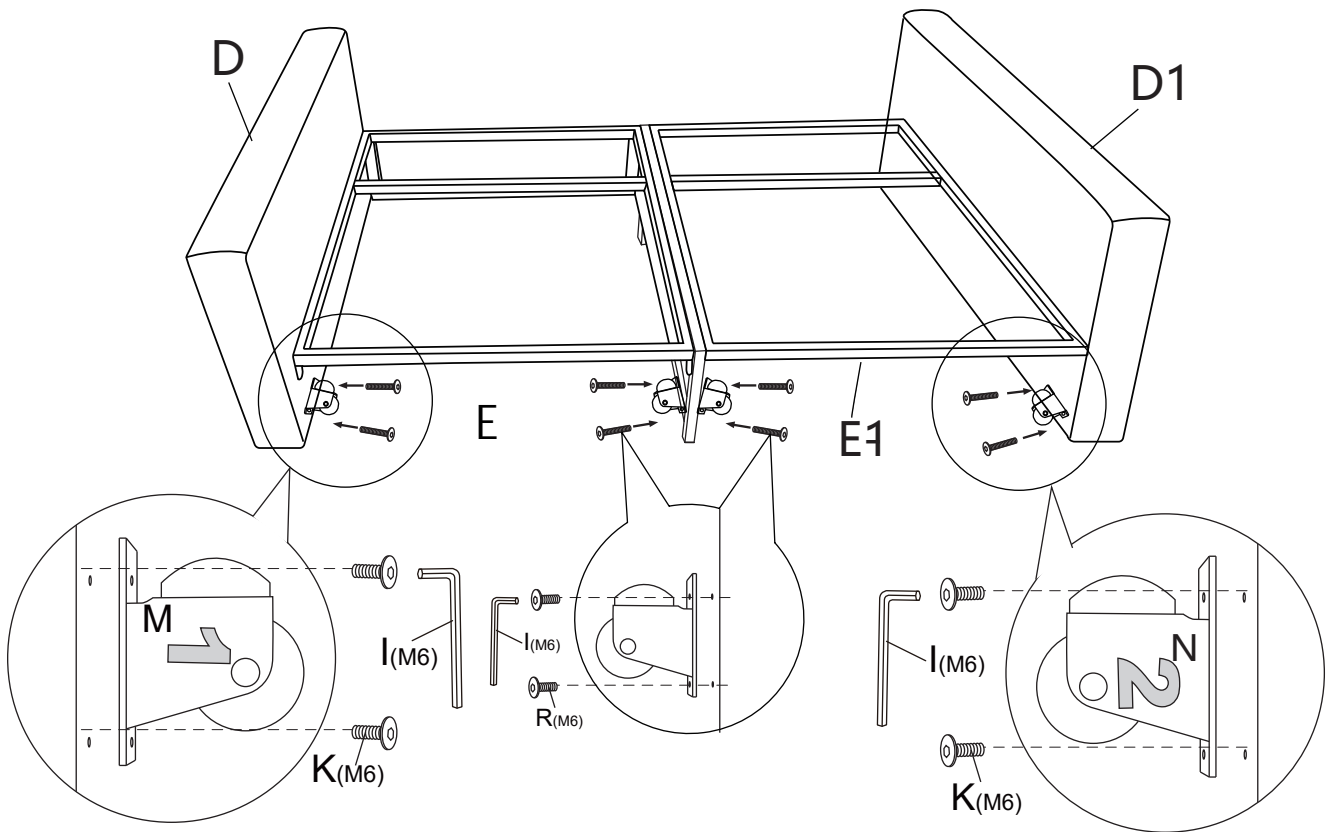
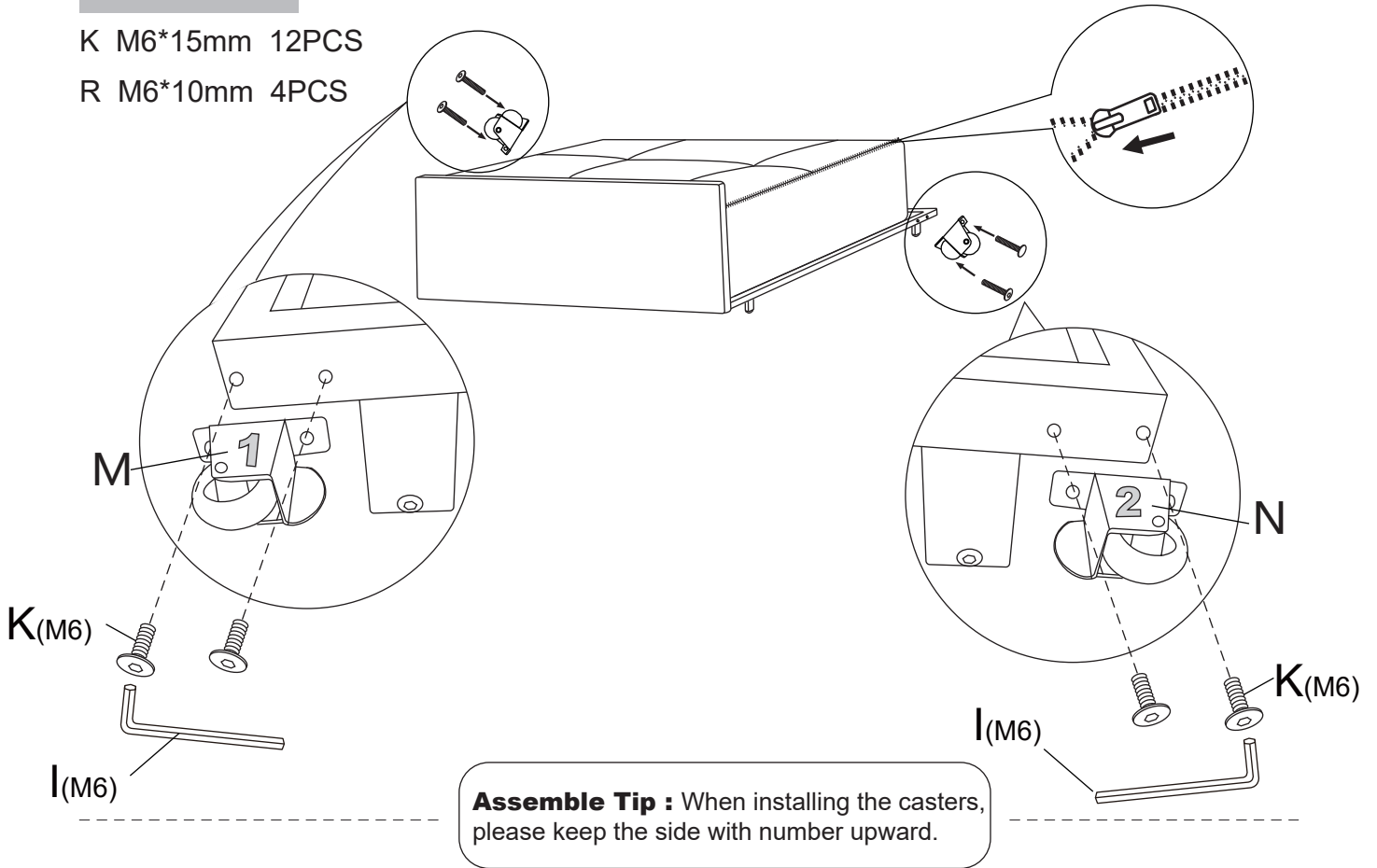
- J M8*50mm 2PCS
- O M8*80mm 3PCS
- P M8*35mm 9PCS
- U M8*100mm 1PCS
- R M6*10MM 4PCS
- Q Screw Nut 5PCS
- L Washer 20PCS
- V Connector 1PC



STEP 4

K M6*15mm 12PCS

R M6*10mm 4PCS

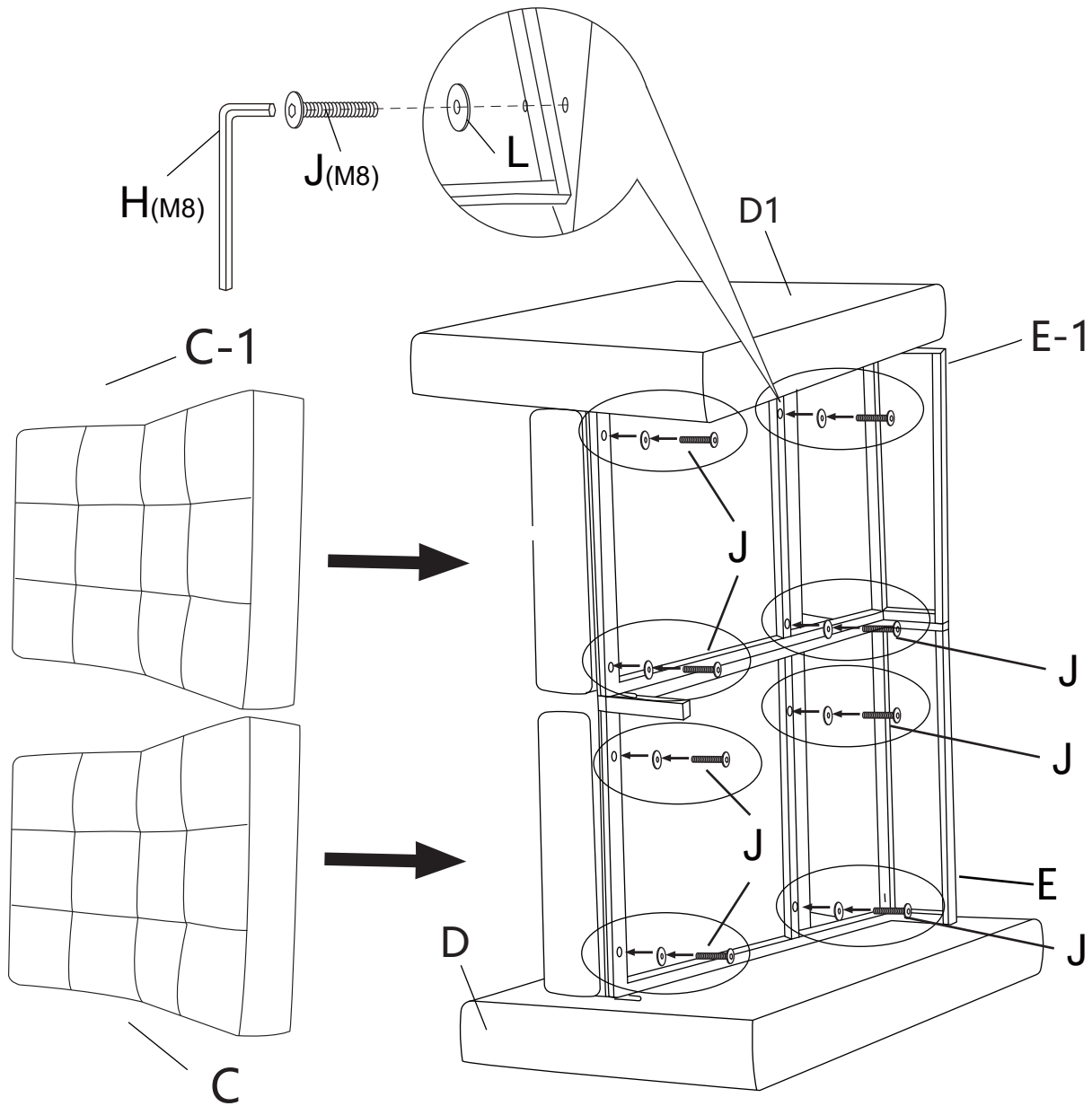


STEP 5

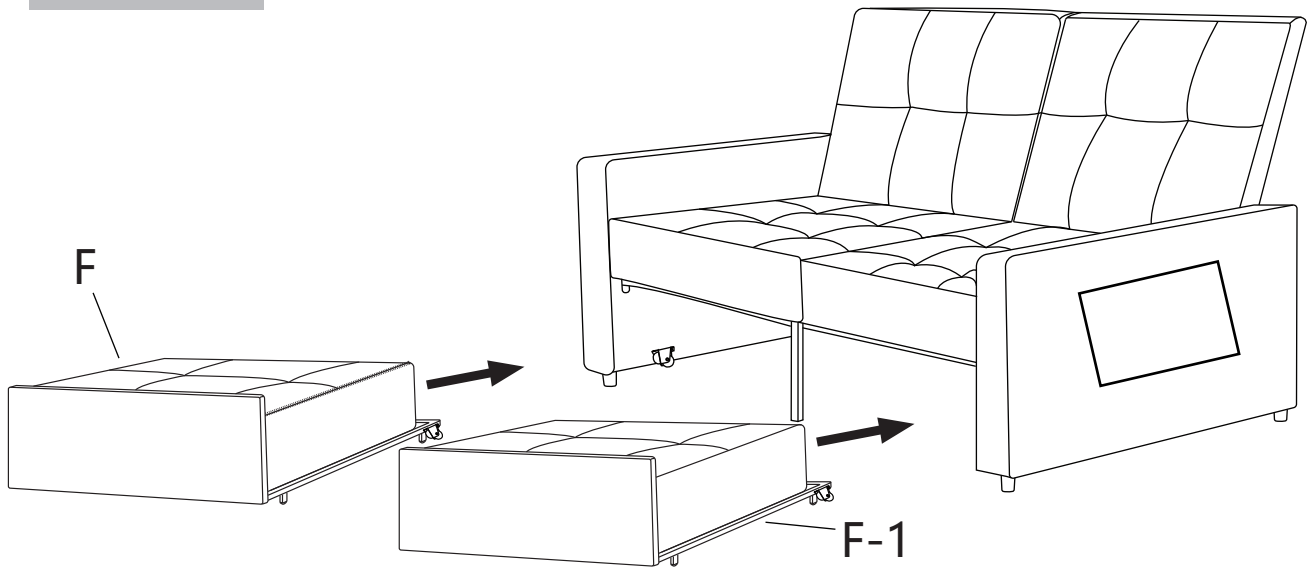
J M8*50mm 8PCS
L Washer 8PCS

Attention

Place part D and D-1 as the picture shows.
Then put the part C on E and C-1 on E-1, and tighten the screws as shown.



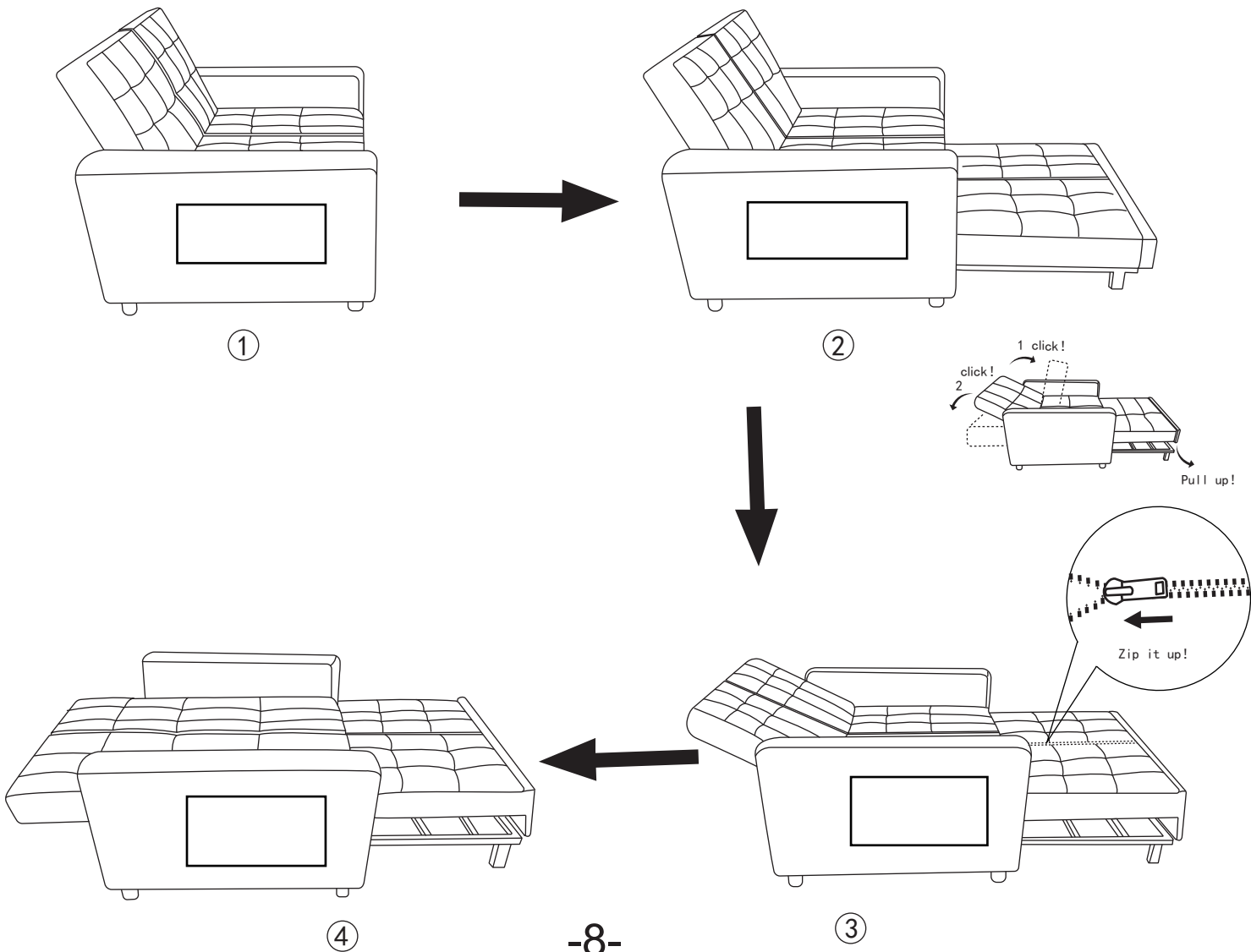
STEP 6



STEP 7

Multifunctional Sofa Bed with Convertible Positions

1. When you want to convert the sofa to bed, pull out the lower part, take the loop tie to move the rear bed part up until it is in horizontal level with the seat part.
2. Push the back part twice to lie it down.



3. On the contrary, when you want to convert the bed to sofa, just push the back part twice to up position.

4. Pull up the loop tie on rear part to make it back to lower position. Push back it and then it will become a sofa.

