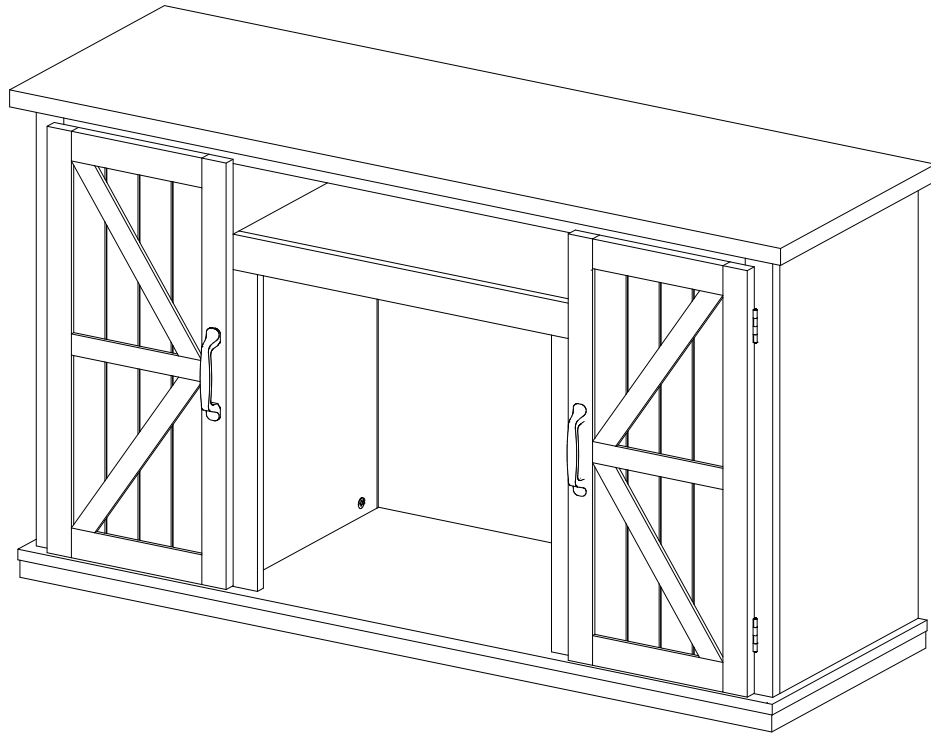


# IMPORTANT INSTRUCTIONS AND OPERATING MANUAL

---



THIS INSTRUCTION BOOKLET CONTAINS IMPORTANT SAFETY INFORMATION. PLEASE READ AND KEEP FOR FUTURE REFERENCE.

---

## Do Not Return This Product!

Contact our customer service team for help first.

Call: 213-4467172 or 661-4358826

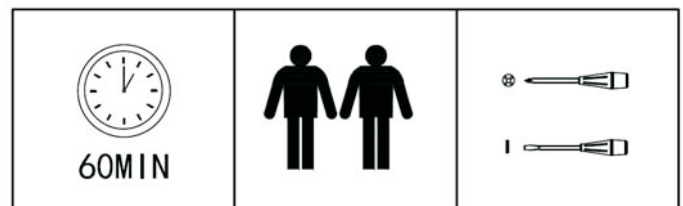
Monday - Sunday 8:30 am - 5:30 pm P.S.T

ROWAN ELECTRIC APPLIANCE LLC 28407 Ascent Way,  
Santa Clarita, CA 91350



## WARNING

- Unit can tip over causing severe injury.
- Anchor unit to study on wall (if instructed to).
- Do Not allow children to climb on unit.
- Put heavy items on lower shelves or drawers.





# Contact Us !

## DO NOT RETURN THIS PRODUCT!

Contact our friendly customer service team first for help.

**Call: 213-4467172 or 661-4358826**

( 8:30 am - 5:30 pm P.S.T )

DATED PROOF OF PURCHASE REQUIRED FOR WARRANTY SERVICE.

## [ Helpful Hints ]

**PEOPLE NEEDED FOR ASSEMBLY: 2  
ESTIMATED ASSEMBLY TIME: 1 HOUR**

-Open your item in the area you plan to keep it to avoid excessive heavy lifting.



-Identify, sort and count the parts before attempting assembly.



-Make sure to always face the point on the top of the Cam Lock towards the outer edge.



-Use all the nails provided for the back panel and spread them out equally.



-Back panel must be used to make sure your unit is sturdy.

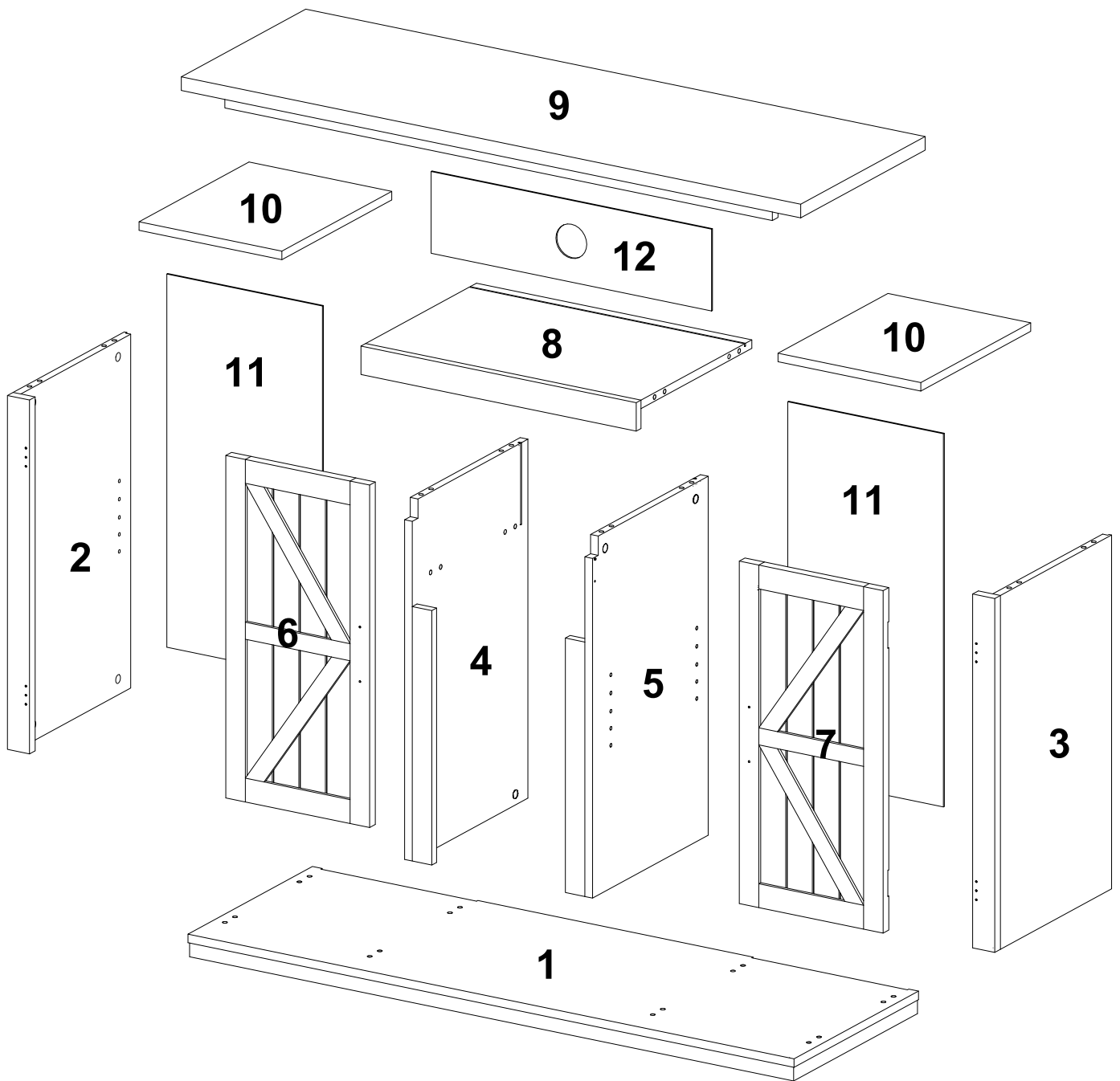


-Do NOT use harsh chemicals or abrasive cleaners on this item.

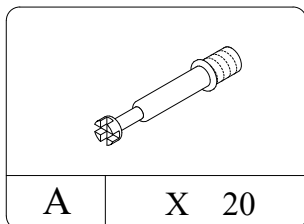
-Never push, pull, or drag your furniture.



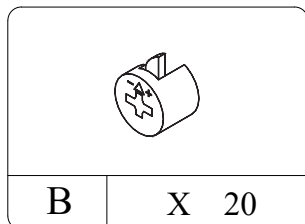
# PARTS LIST



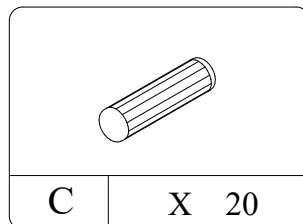
# HARDWARE LIST



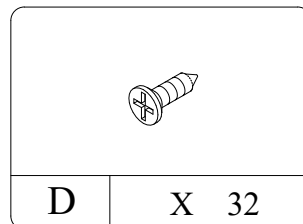
Ø6.5 x 35mm



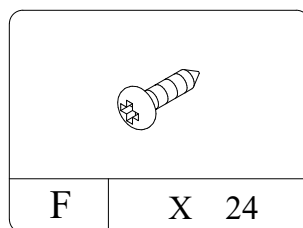
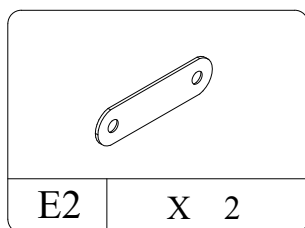
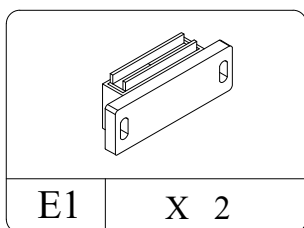
Ø15 x 12mm



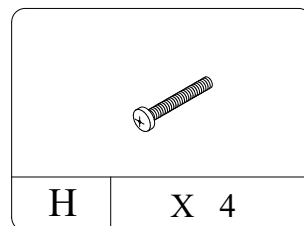
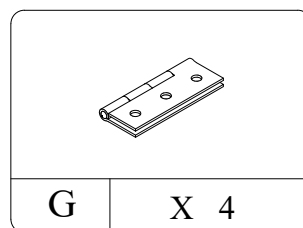
Ø8 x 30mm



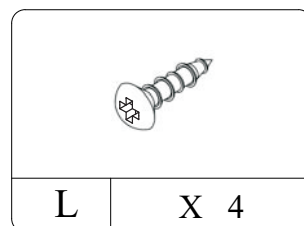
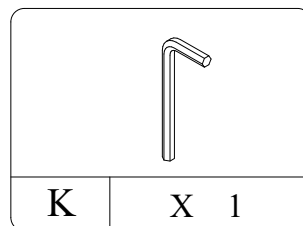
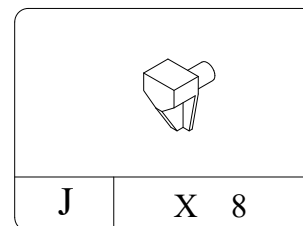
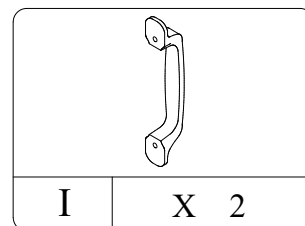
Ø3 x 14mm



Ø3 x 12mm

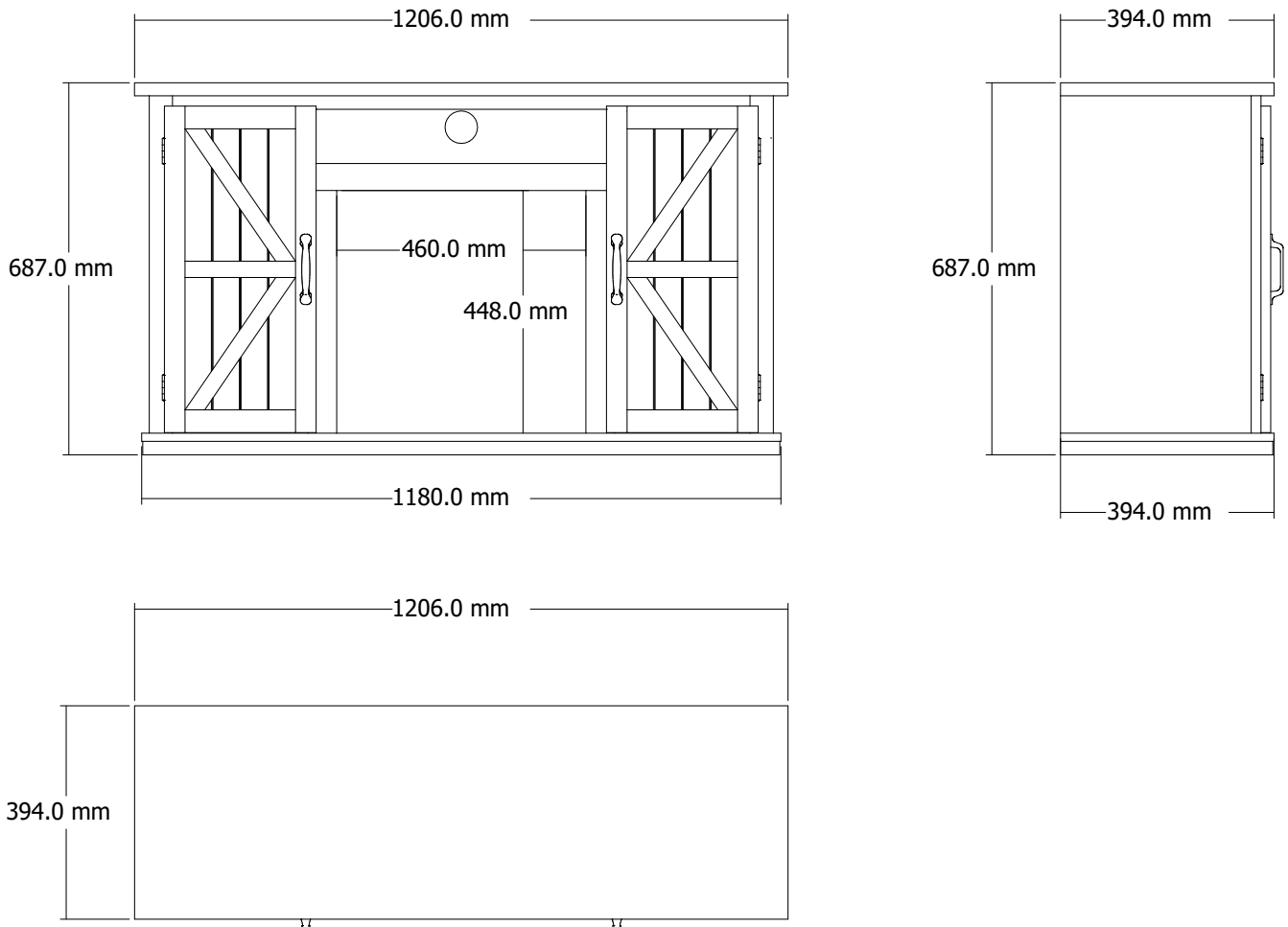


Ø4 x 18mm



Ø4 x 12.7mm

# DIMENSIONS

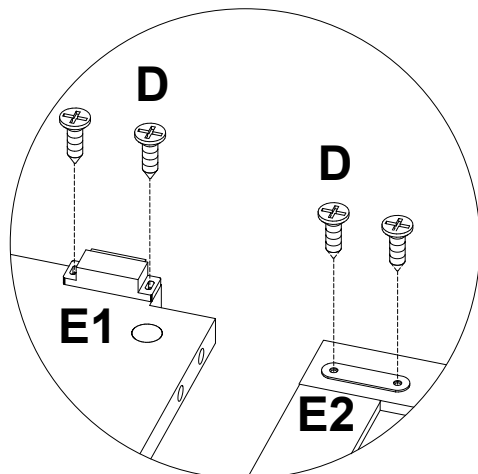
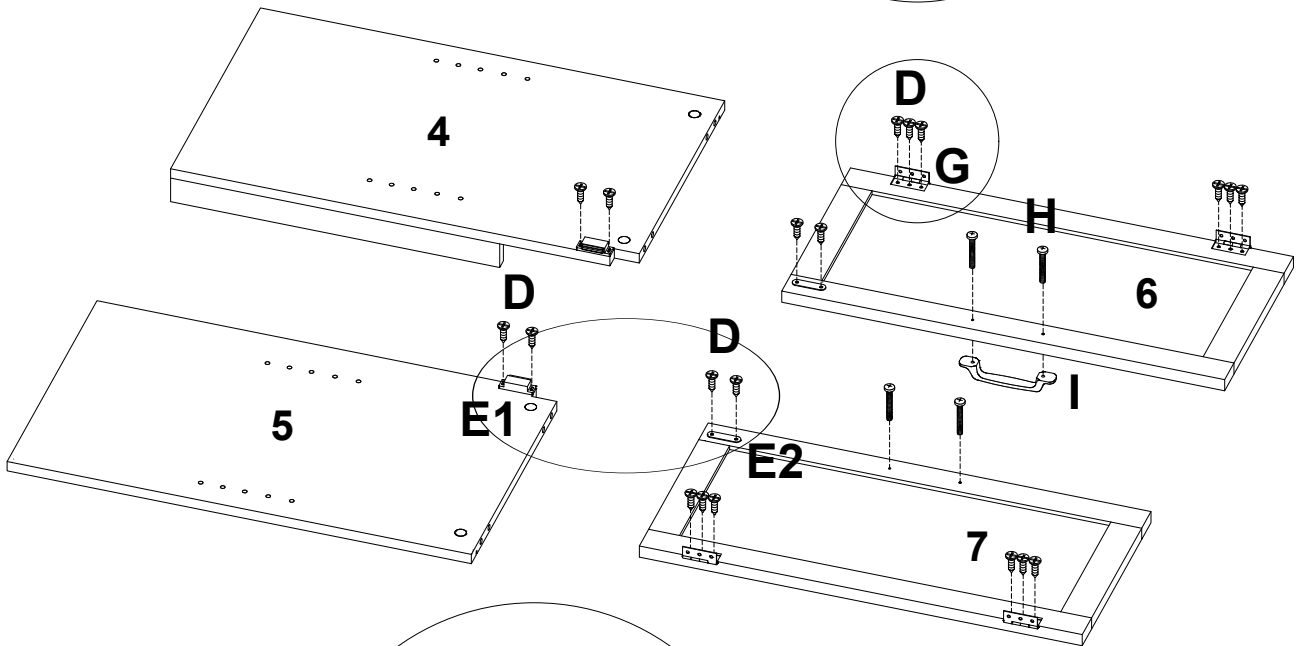
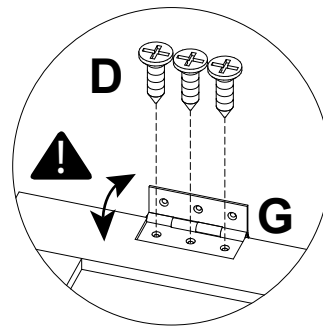
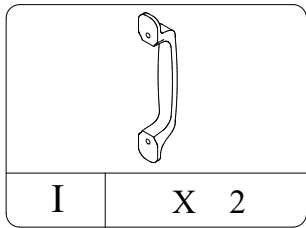
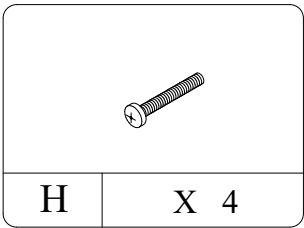
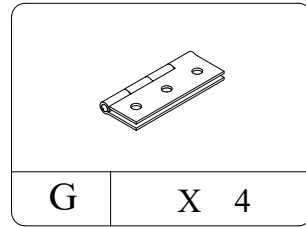
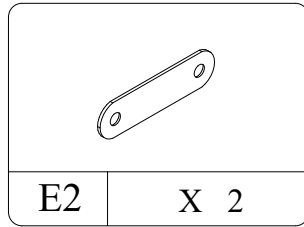
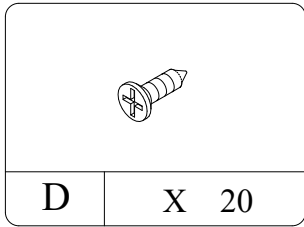


# ASSEMBLY

Before installing this fireplace, please read the following steps carefully.

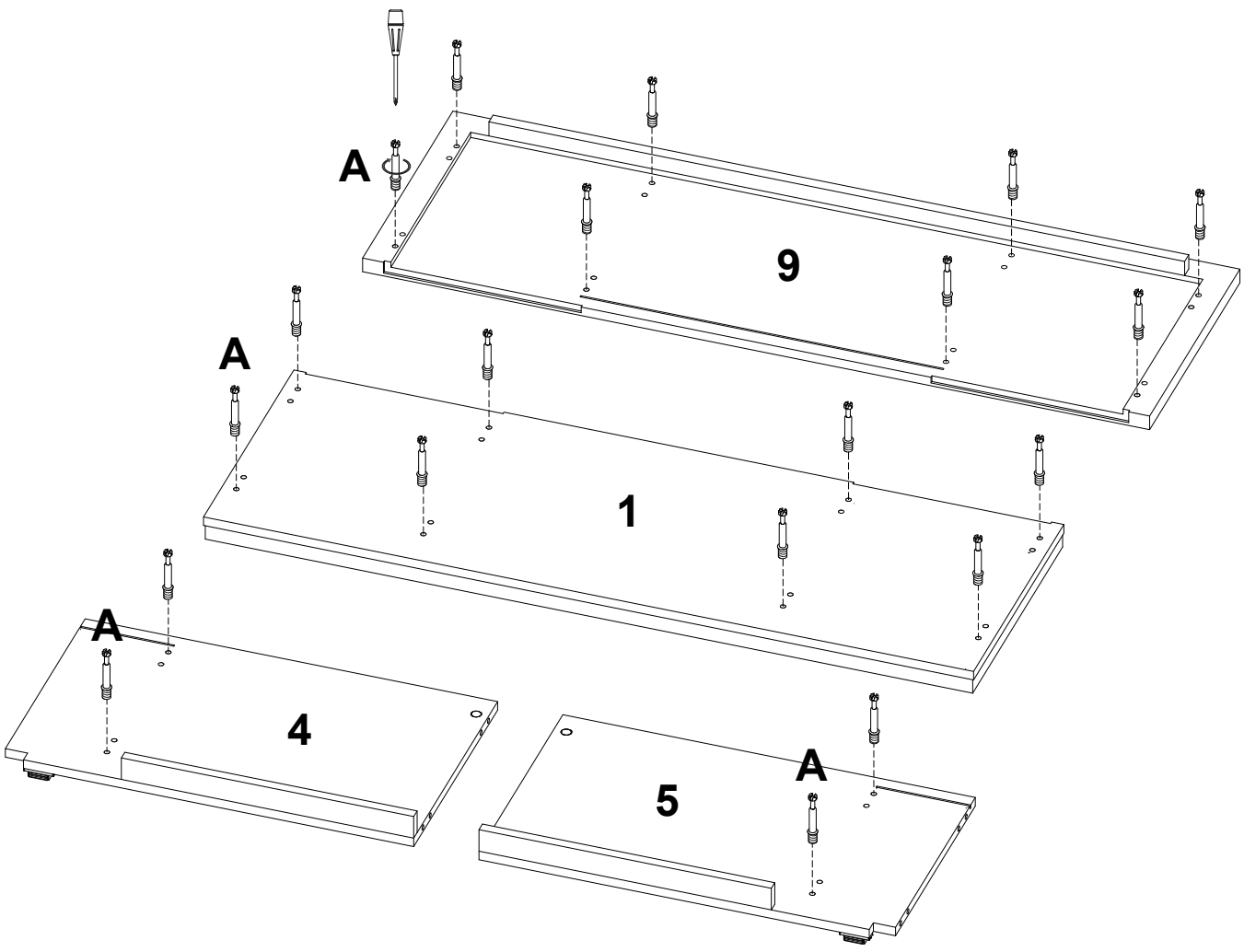
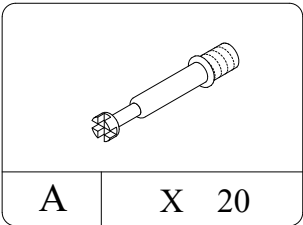
# STEP 1:

Attach door stoppers (E1) to panels (4)+(5), attach door stoppers (E2) to doors (6)+(7), by securing screws (D). Attach hinges (G) to doors (6)+(7) by securing screws (D). Attach handles (I) to doors (6)+(7) by securing screws (H).



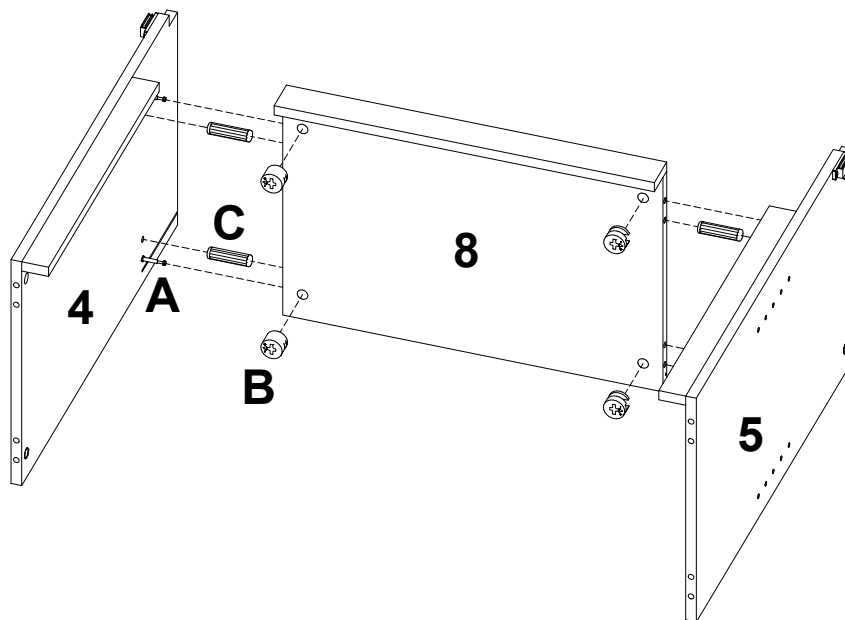
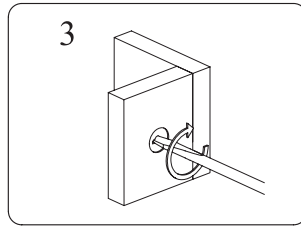
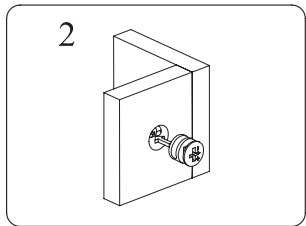
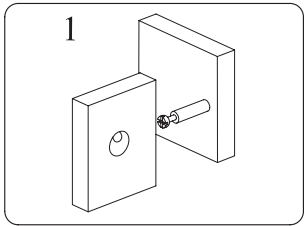
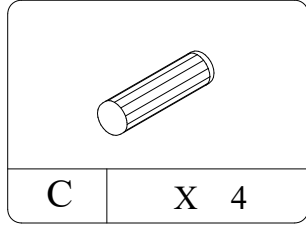
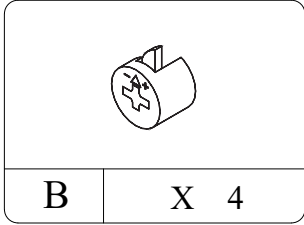
# STEP 2:

Screw bolts (A) to panels (1)+(4)+(5)+(9).



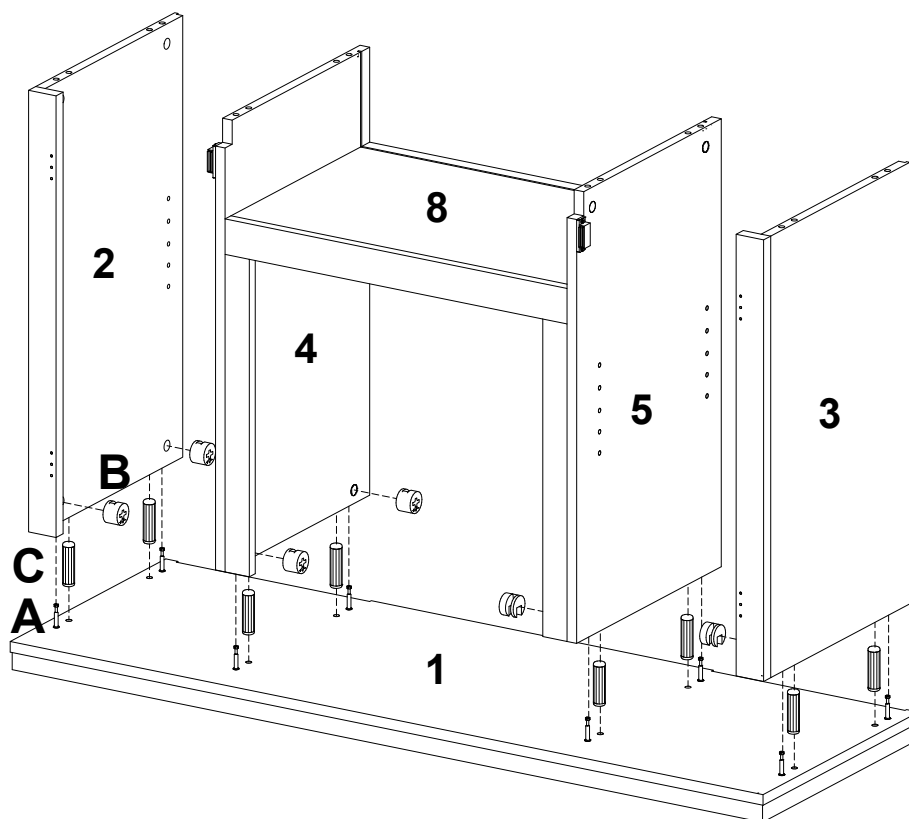
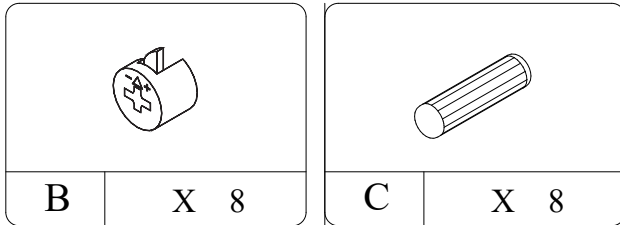
## STEP 3:

Join panels (4)+(5) to panel (8) by inserting bolts (A) and dowels (C). Lock them by inserting and securing excenter fittings (B).



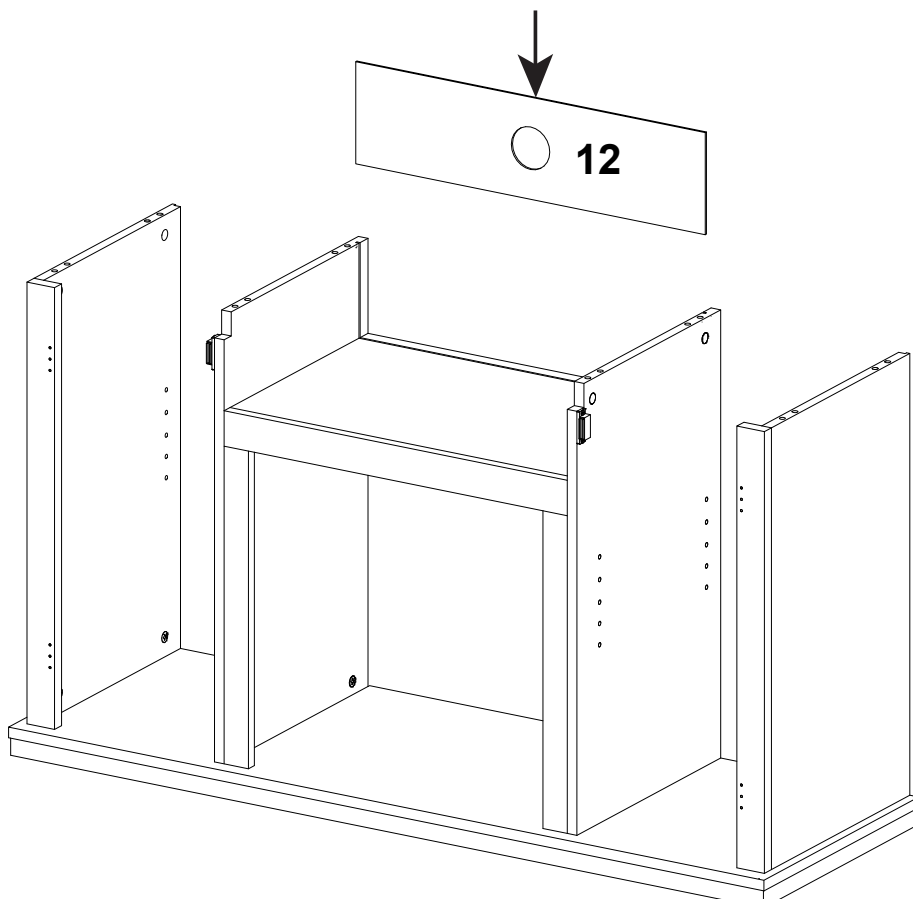
## STEP 4:

Join panels (1)+(2)+(3) by inserting bolts (A) and dowels (C). Lock them by inserting and securing excenter fittings (B).



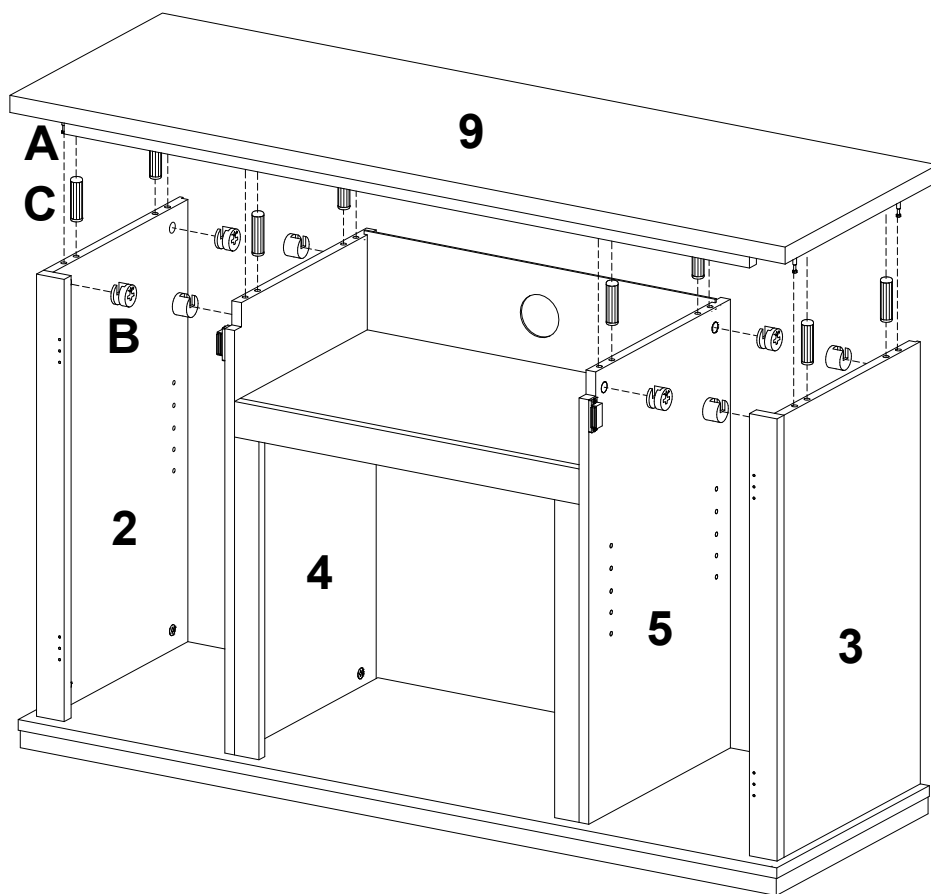
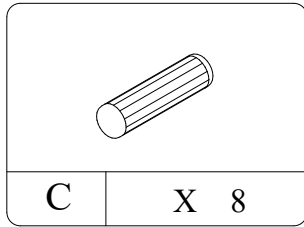
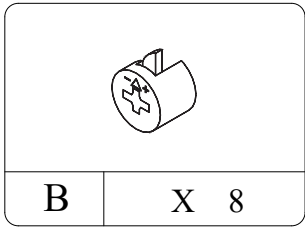
# STEP 5:

Join the panel (12) by inserting it along the slots.



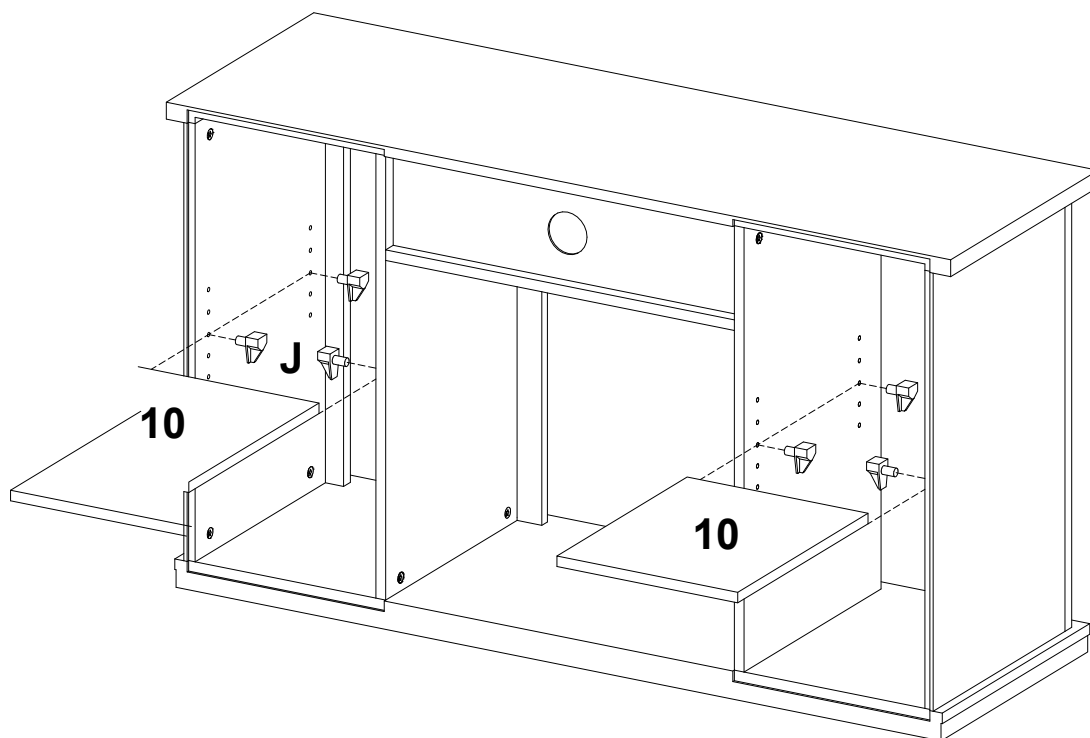
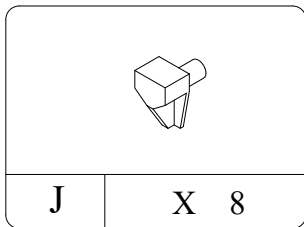
## STEP 6:

Join the panel (9) by inserting bolts (A) and dowels (C). Lock it by inserting and securing excenter fittings (B).



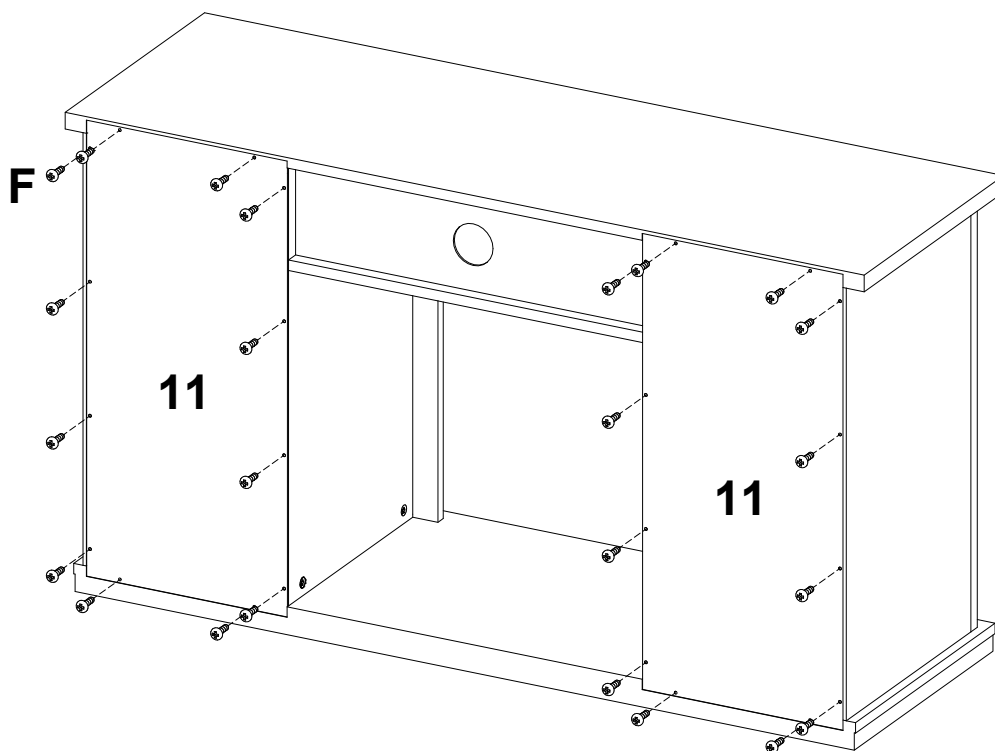
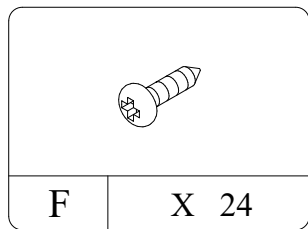
# STEP 7:

Insert shelf supports (J). Put on shelves (10).



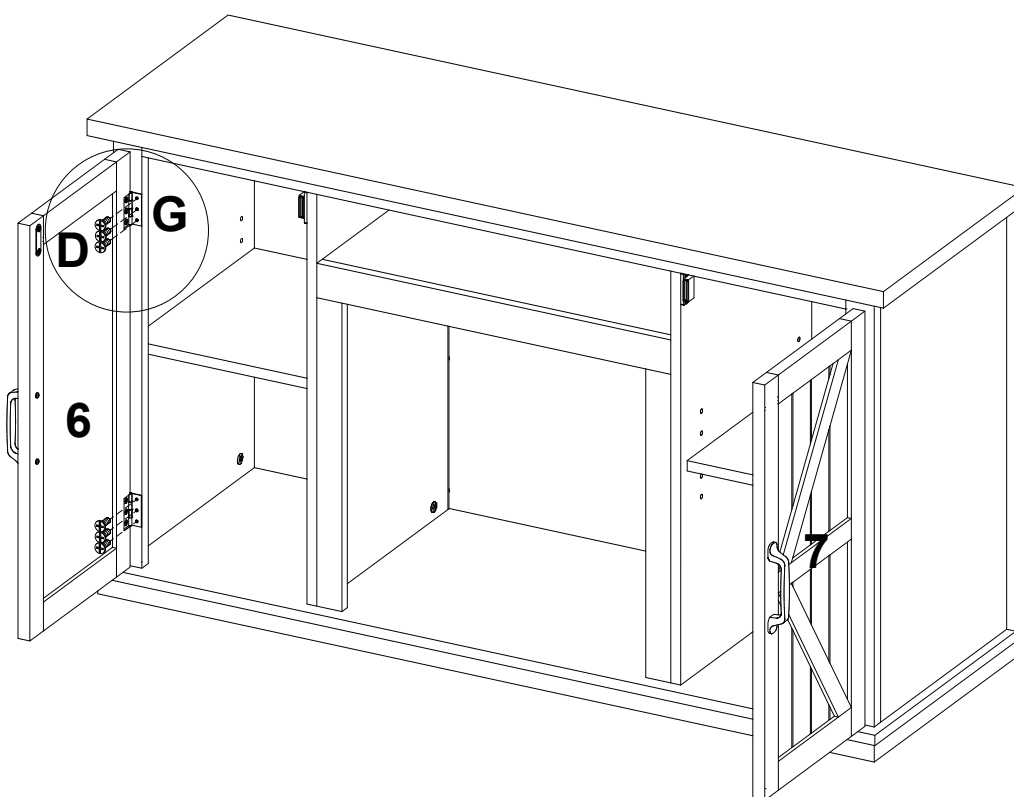
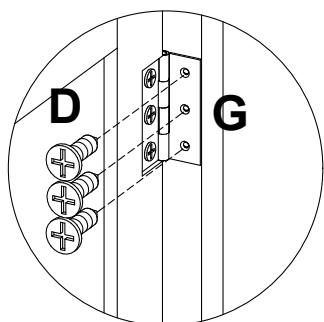
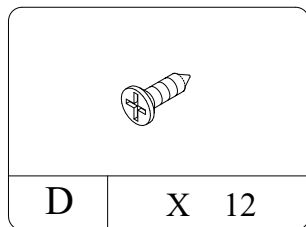
# STEP 8:

Join panels (11) by securing screws (F).



## STEP 9:

Join doors (6)+(7) by securing screws (D) through hinges (G).



## STEP 10:

Install the firebox by securing screws (L).

