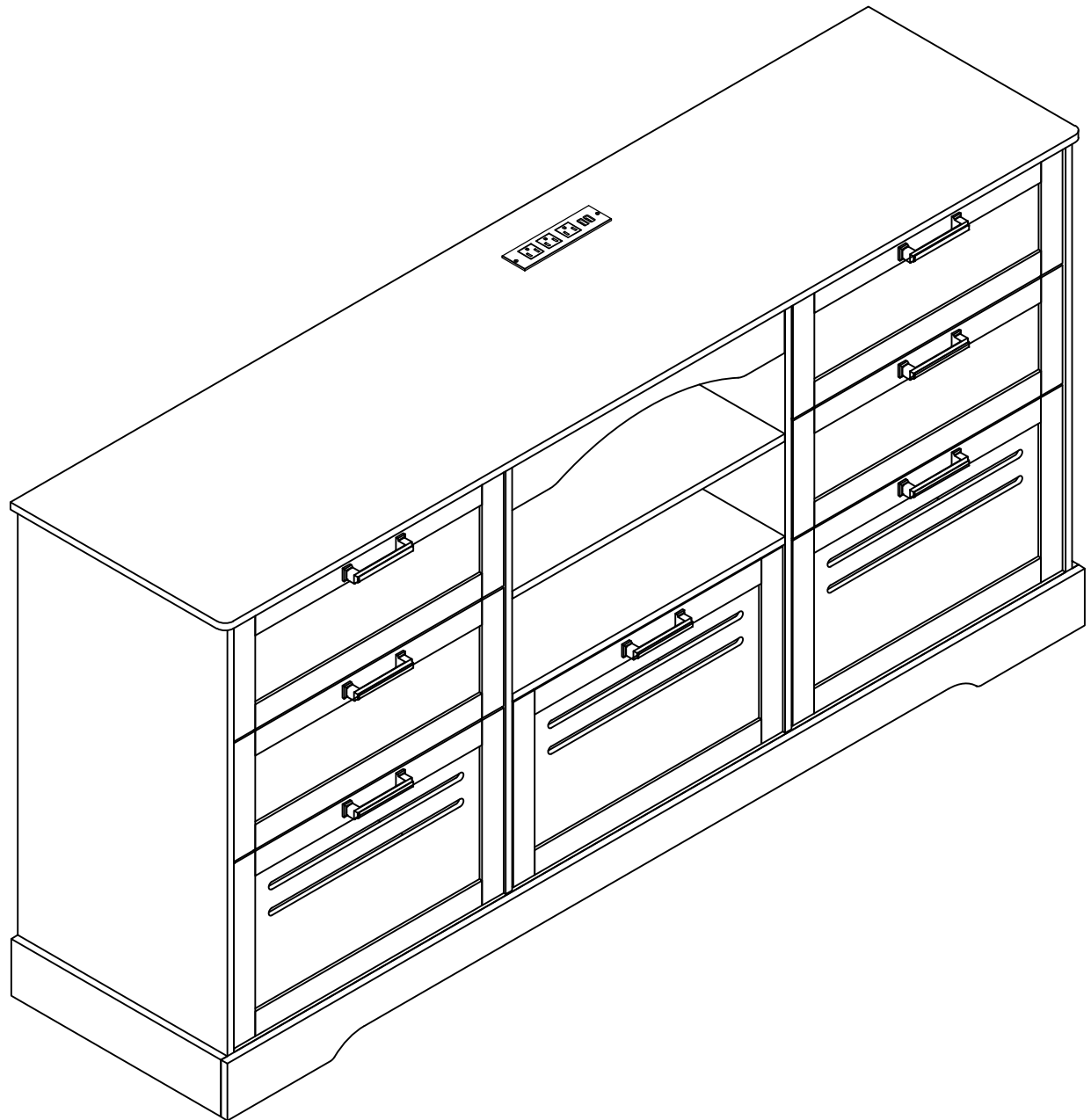


USER MANUAL

Drawer Dresser



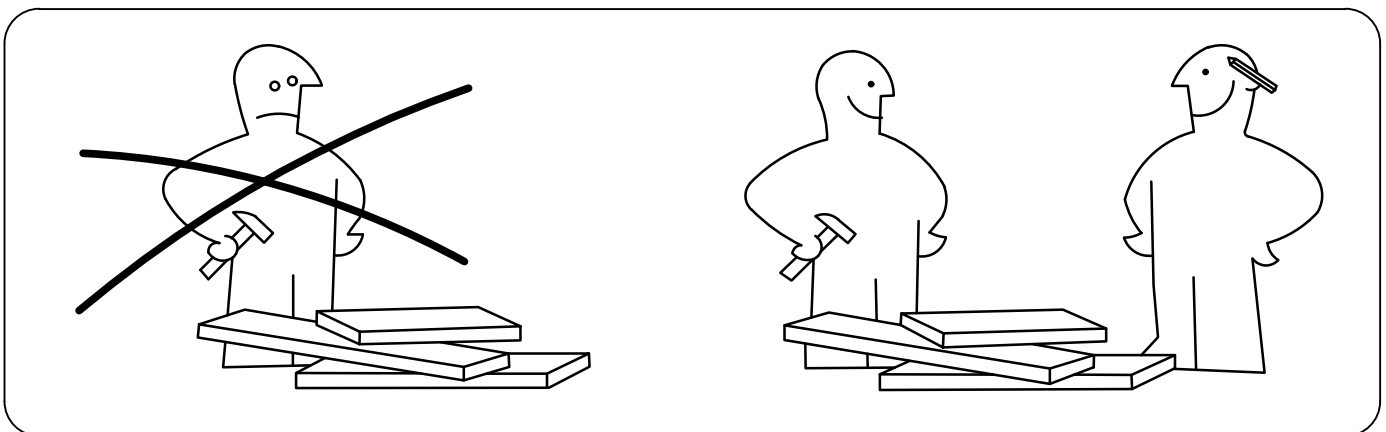
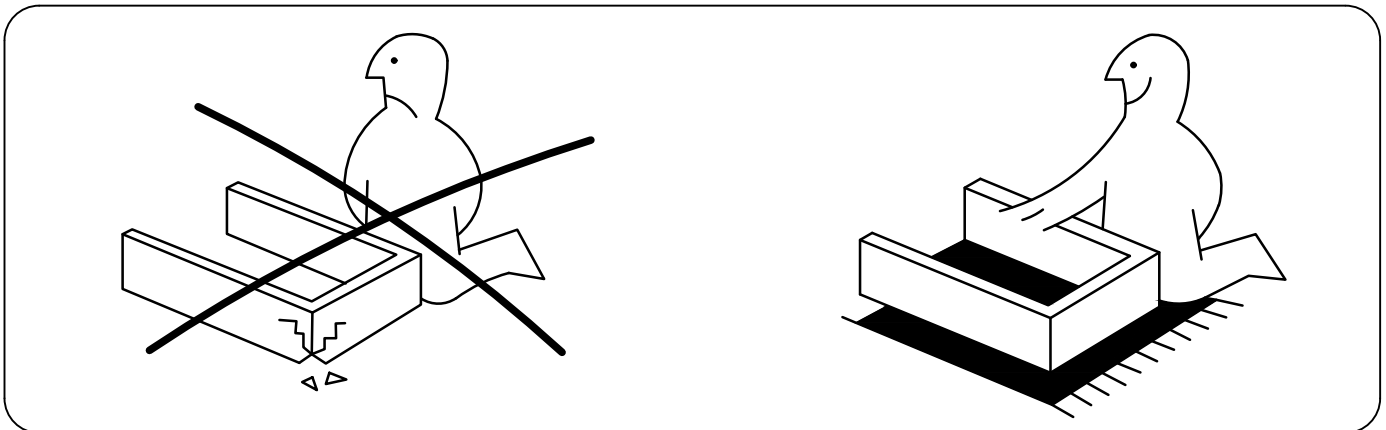
Customer Service Emails
US@JANFLY.COM
EU@JANFLY.COM

JFLDG2501

Version:2.1

INTRODUCTION

Thank you for purchasing our products. Committed to providing customers with the best quality products and service has always been our lifelong goal. Before using the product, please read this instruction manual carefully to ensure correct use. Keep the instruction manual in a place where the user can find it at any time.



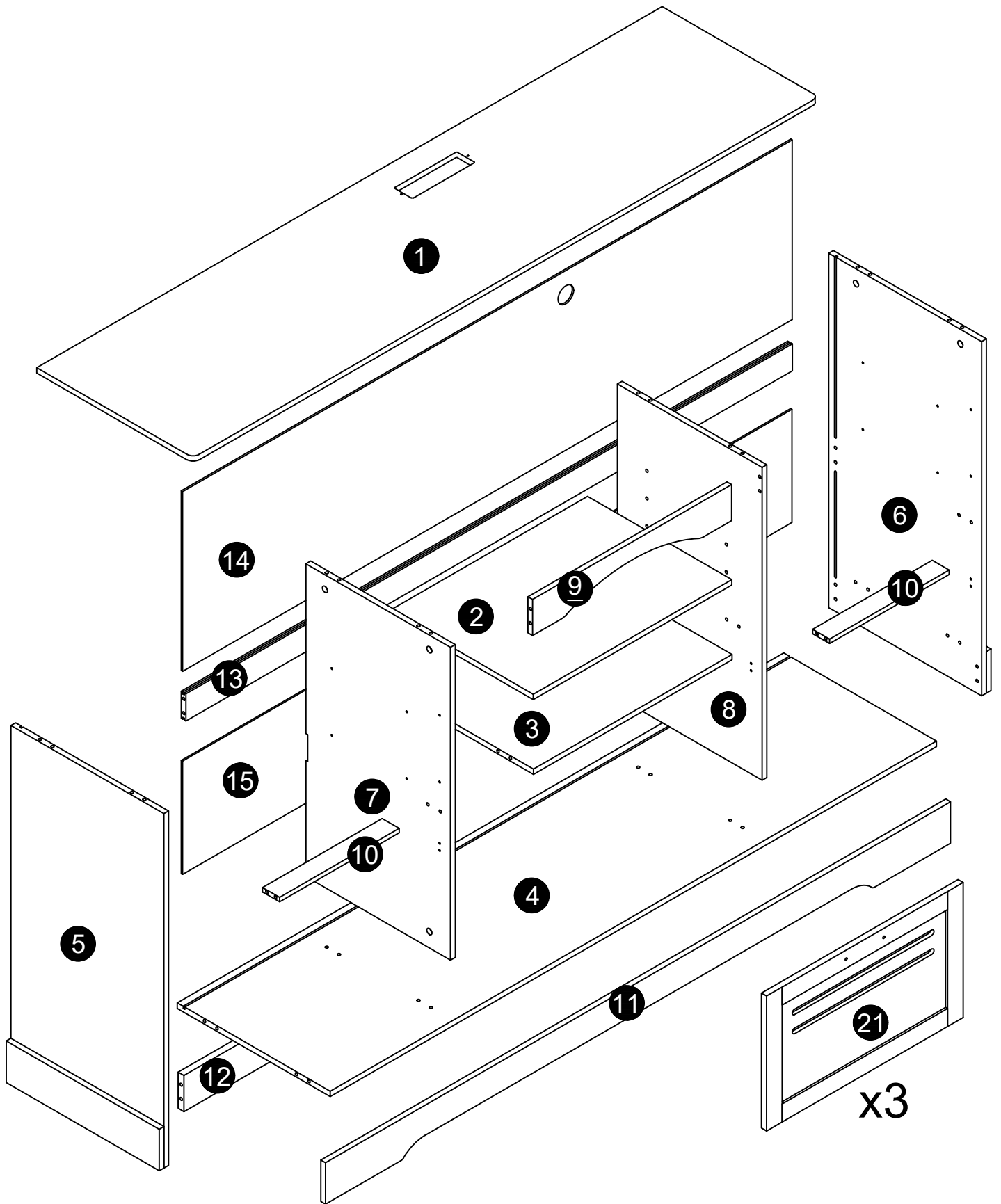
PRECAUTIONS

1. There are many components and accessories in the package. Each component and accessory is labeled with a letter or a number, check carefully before using any of them. Keep them away from children to prevent accidents.
2. Please install the product on a clean and soft underlay (such as carpet or cardboard) to avoid scratching or damaging the surface of the product.
3. The main components of the product is relatively heavy. Please pay attention to safety during installation.
4. The product is not stable during installation. Please do not move it randomly before it is completely installed.
5. If you have any questions during installation, please contact the customer service in time.

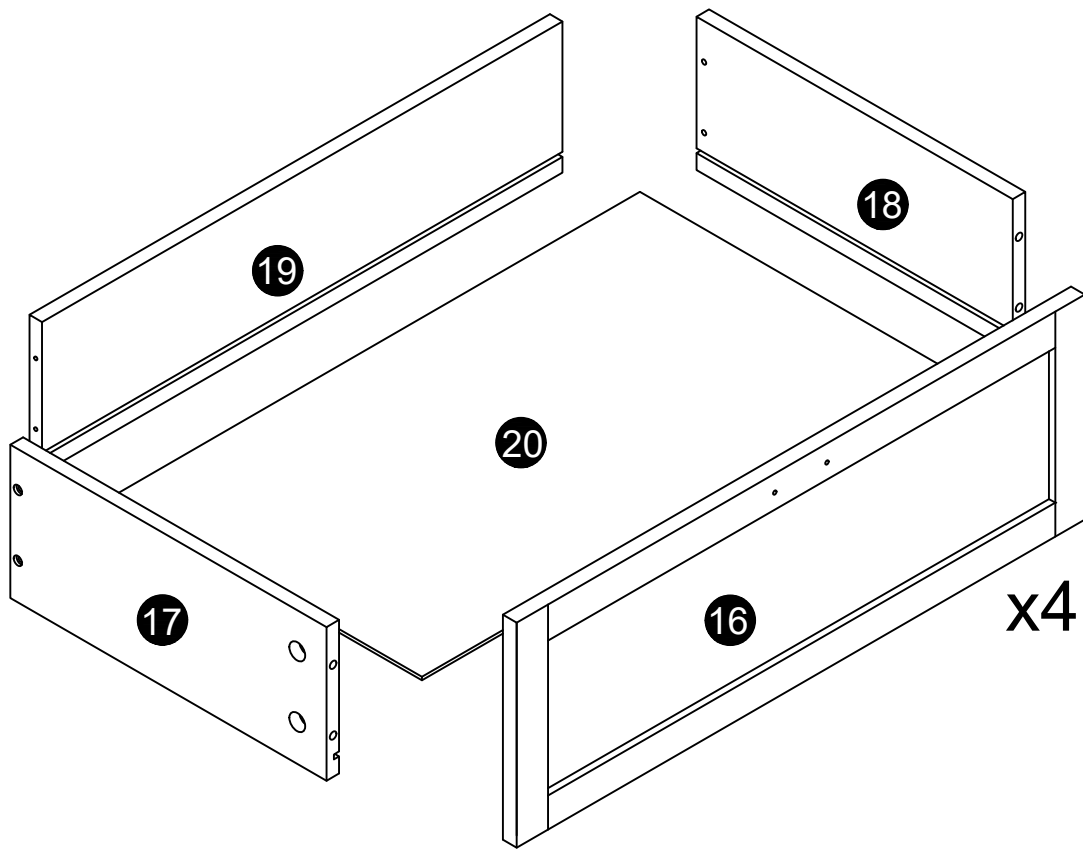
***PLEASE BE SURE TO FOLLOW THE INSTALLATION STEPS IN THE MANUAL TO AVOID UNNECESSARY LOSSES CAUSED BY IMPROPER INSTALLATION.**

***IF YOU NEED FURTHER ASSISTANCE, PLEASE CONTACT THE CUSTOMER SERVICE ONLINE.**

PANEL LAYOUT

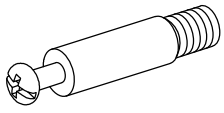
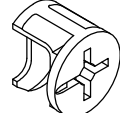
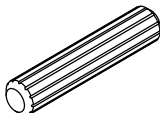
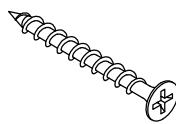
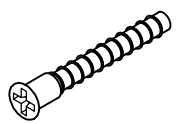
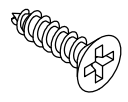
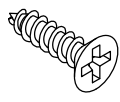
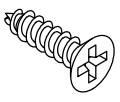

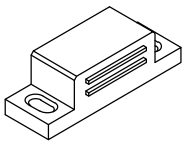
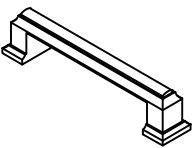
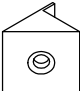
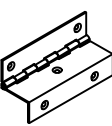
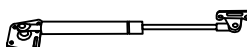
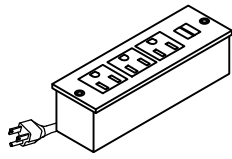
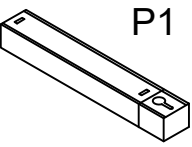
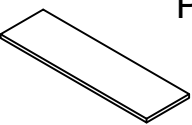
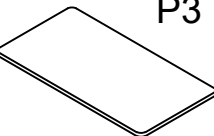
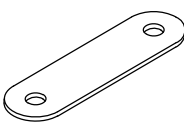
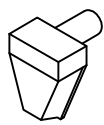




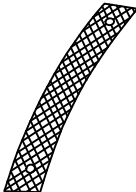
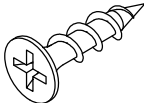
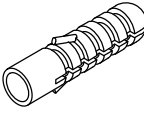
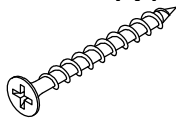


Due to the large number of boards, in order to facilitate the installation, please place the boards in order after opening the parcel and then start the installation.

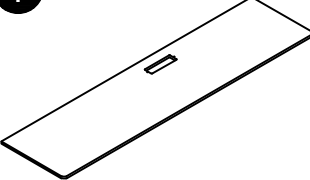
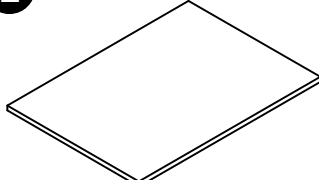
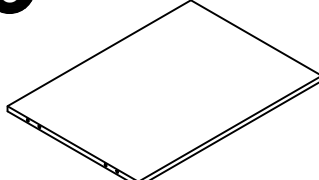
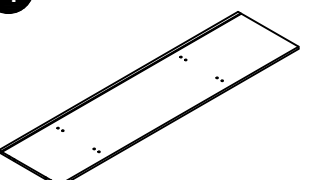
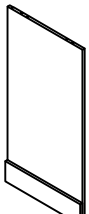
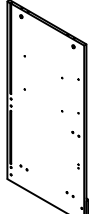


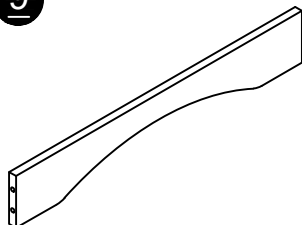
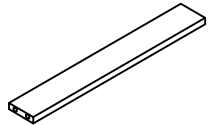
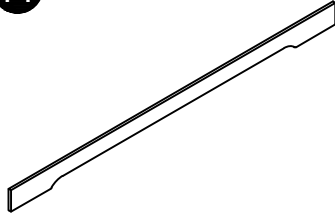
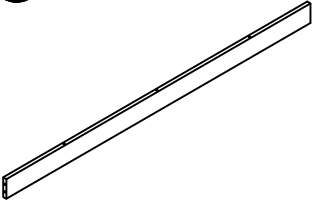
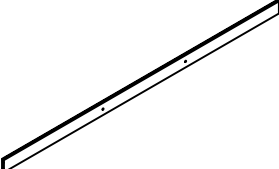
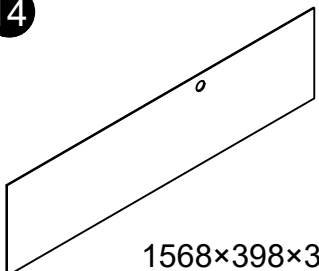

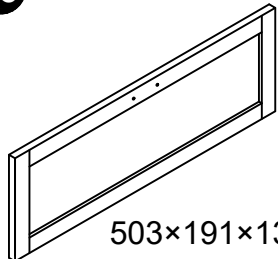
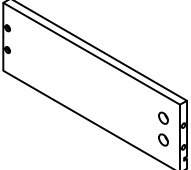
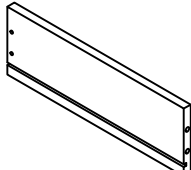

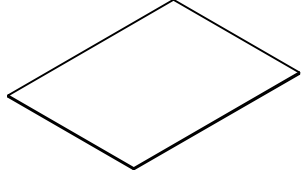
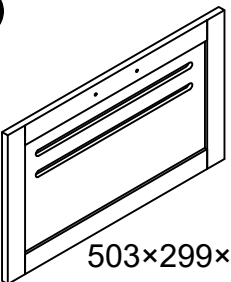


Due to the large number of boards, in order to facilitate the installation, please place the boards in order after opening the parcel and then start the installation.

HARDWARE LIST

<p>A</p>  <p>6×35mm 68(+2)PCS</p>	<p>B</p>  <p>68(+2)PCS</p>	<p>C</p>  <p>6×30mm 20(+2)PCS</p>	<p>D</p>  <p>M3.5×35mm 17(+1)PCS</p>	<p>E</p>  <p>M5×40mm 2PCS</p>
<p>F</p>  <p>M3×12mm 84(+2)PCS</p>	<p>G</p>  <p>M3.5×12mm 20(+1)PCS</p>	<p>H</p>  <p>M3×14mm 22(+2)PCS</p>	<p>I</p>  <p>M4×16mm 14(+1)PCS</p>	<p>J</p>  <p>46×15×15mm 3PCS</p>
<p>K</p>  <p>7PCS</p>	<p>L</p>  <p>15×14×10mm 16PCS</p>	<p>M</p>  <p>6PCS</p>	<p>N</p>  <p>3PCS</p>	<p>O</p>  <p>1PC</p>
<p>P</p> <div style="display: flex; justify-content: space-around;"> <div style="text-align: center;"> <p>P1</p>  <p>205×25×20mm</p> </div> <div style="text-align: center;"> <p>P2</p>  <p>2PCS</p> </div> <div style="text-align: center;"> <p>P3</p>  </div> </div>			<p>S</p>  <p>45×12×0.8mm 3PCS</p>	<p>T</p>  <p>4PCS</p>
<p>Q</p> <div style="display: flex; justify-content: space-around;"> <div style="text-align: center;">  <p>DL L350</p> <p>4PCS</p> </div> <div style="text-align: center;">  <p>DR L350</p> <p>4PCS</p> </div> <div style="text-align: center;">  <p>CL L350</p> <p>4PCS</p> </div> <div style="text-align: center;">  <p>CR L350</p> <p>4PCS</p> </div> </div>				
<p>R</p> <div style="display: flex; justify-content: space-around;"> <div style="text-align: center;">  <p>R1</p> </div> <div style="text-align: center;">  <p>R2 M3×15mm</p> </div> <div style="text-align: center;">  <p>R3</p> <p>2PCS</p> </div> <div style="text-align: center;">  <p>R4 M3×35mm</p> </div> </div>				

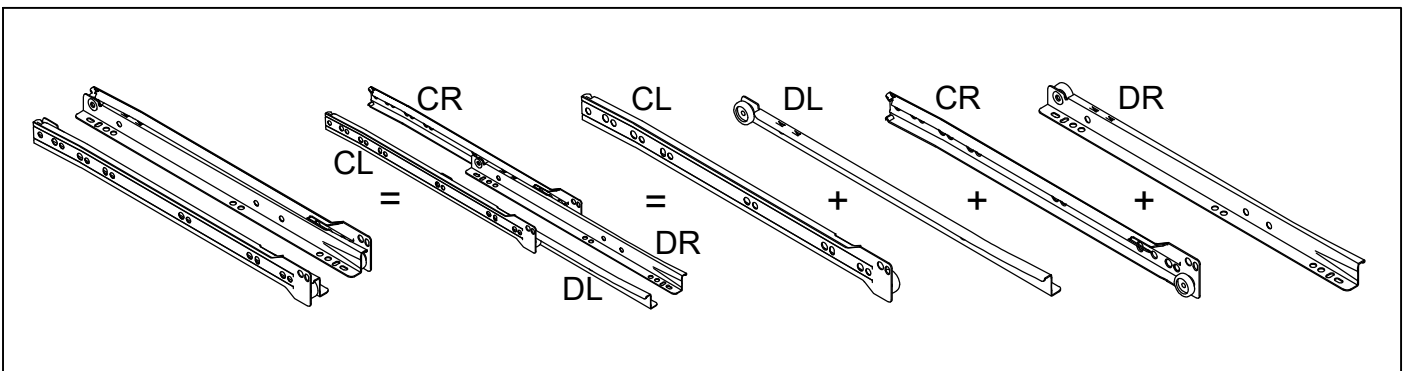
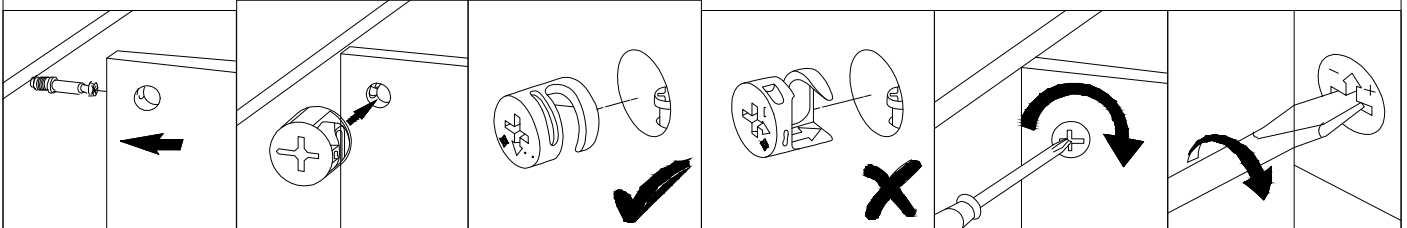
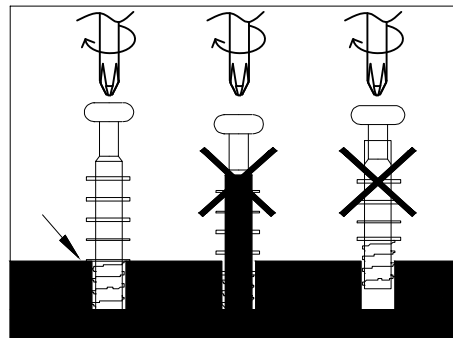
PANEL LIST

<p>1</p>  <p>1600×400×15 x1PC</p>	<p>2</p>  <p>508×369×12 x1PC</p>	<p>3</p>  <p>509×369×12 x1PC</p>	<p>4</p>  <p>1551×390×12 x1PC</p>
<p>5</p>  <p>785×391×24 x1PC</p>	<p>6</p>  <p>785×391×24 x1PC</p>	<p>7</p>  <p>693×370×12 x1PC</p>	<p>8</p>  <p>693×370×12 x1PC</p>
<p>9</p>  <p>509×80×12 x4PCS</p>	<p>10</p>  <p>509×60×12 x2PCS</p>	<p>11</p>  <p>1599×80×27 x1PC</p>	<p>12</p>  <p>1551×80×15 x1PC</p>
<p>13</p>  <p>1551×60×12 x1PC</p>	<p>14</p>  <p>1568×398×3 x1PC</p>	<p>15</p>  <p>1568×251×3 x1PC</p>	<p>16</p>  <p>503×191×13 x4PCS</p>
<p>17</p>  <p>350×147×12 x4PCS</p>	<p>18</p>  <p>350×147×12 x4PCS</p>	<p>19</p>  <p>460×145×12 x4PCS</p>	<p>20</p>  <p>468×345×3 x4PCS</p>
<p>21</p>  <p>503×299×13 x3PCS</p>			

TIPS


1. When installing the product, use a soft surface (such as carpet or cardboard) to avoid scratching or damaging the surface of the product.
2. Please try to use a manual screwdriver instead of electric screw driver. A manual screwdriver can be used to better control the tightness of the screws.
3. Do not use any glue.
4. The product is unstable before it is assembled. Please pay attention to the product installation sequence, and align all screws and screw holes before tightening.
5. The structure of this product can not meet the requirements of children climbing.

Installation method of three
in one rod and buckle



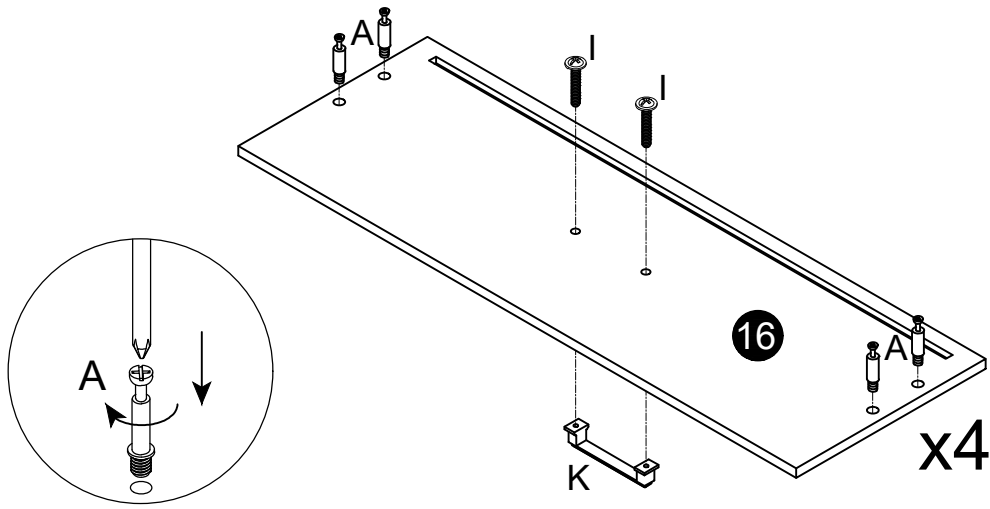
01

INSTALLATION STEPS

Ax16 

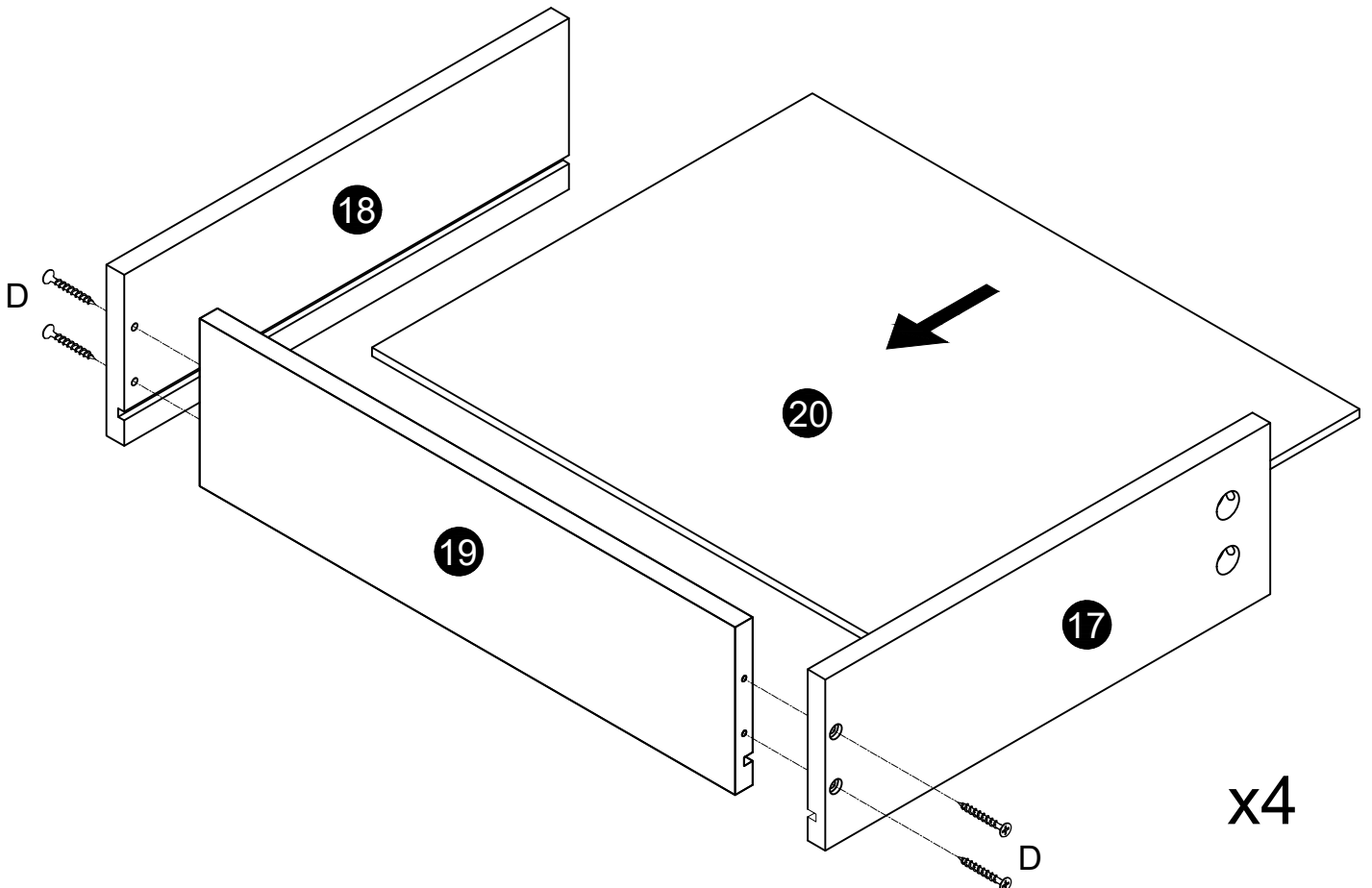
Ix8 

Kx4 




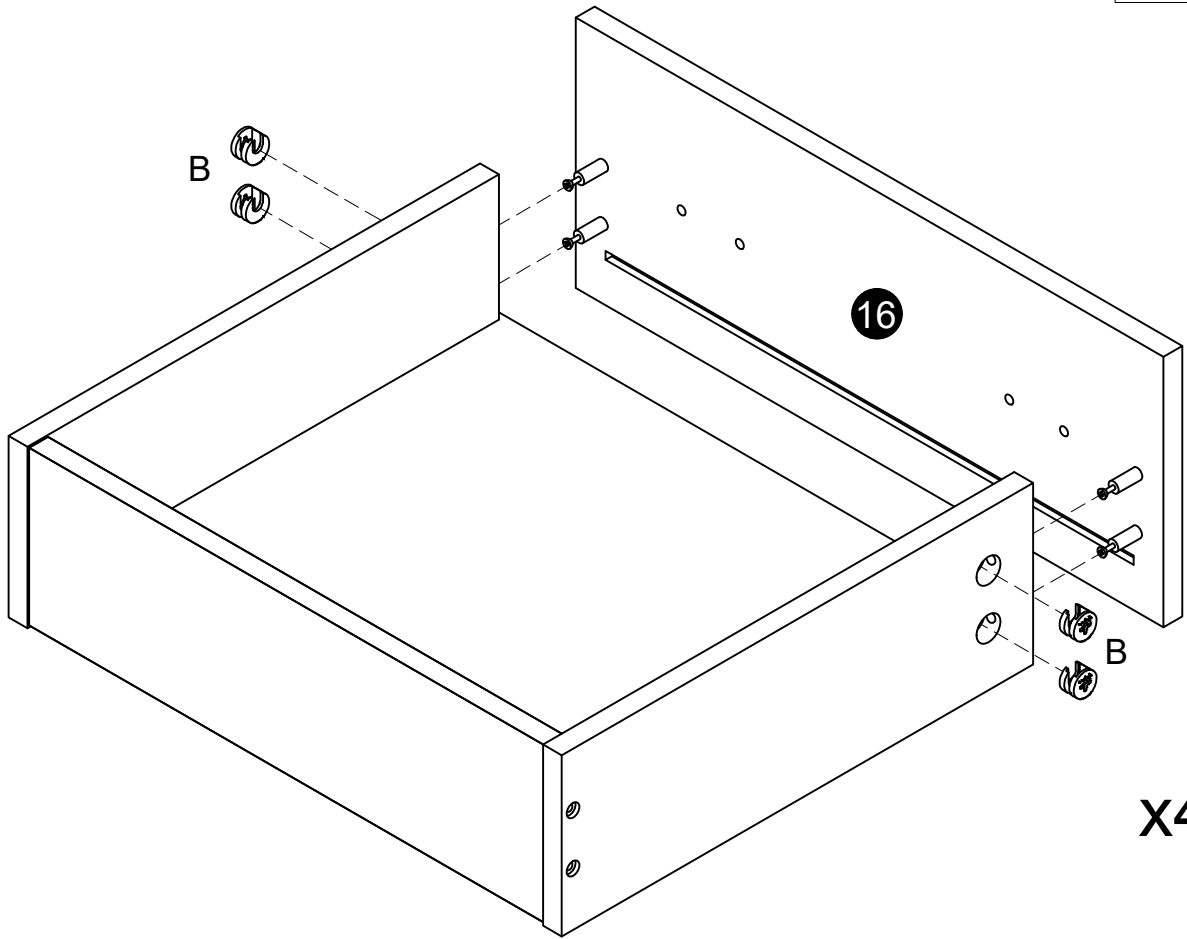
02

Dx16 






03

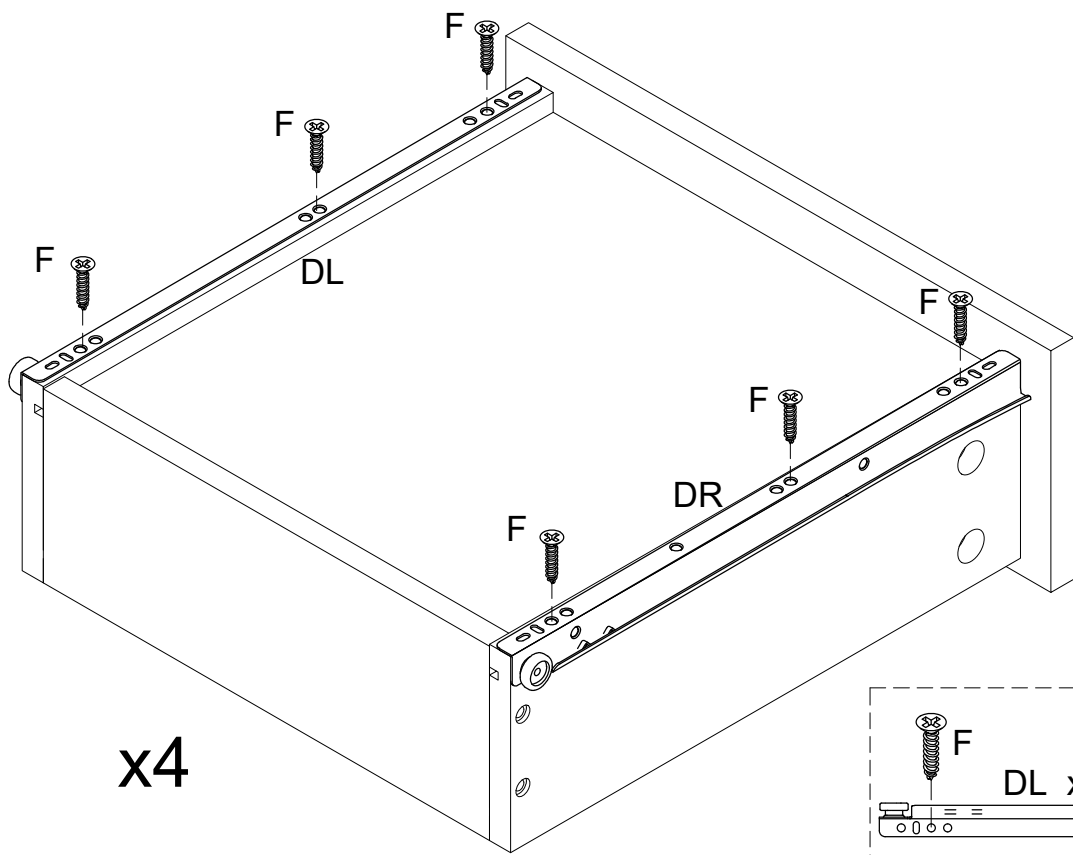
Bx16 



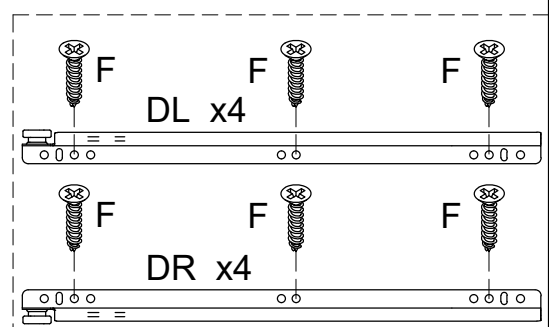
x4

04






- Q DRx4 
- Q DLx4 
- Fx24 

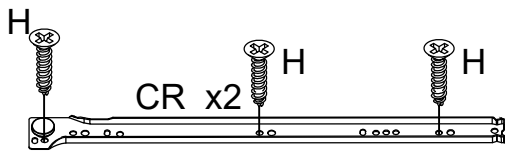
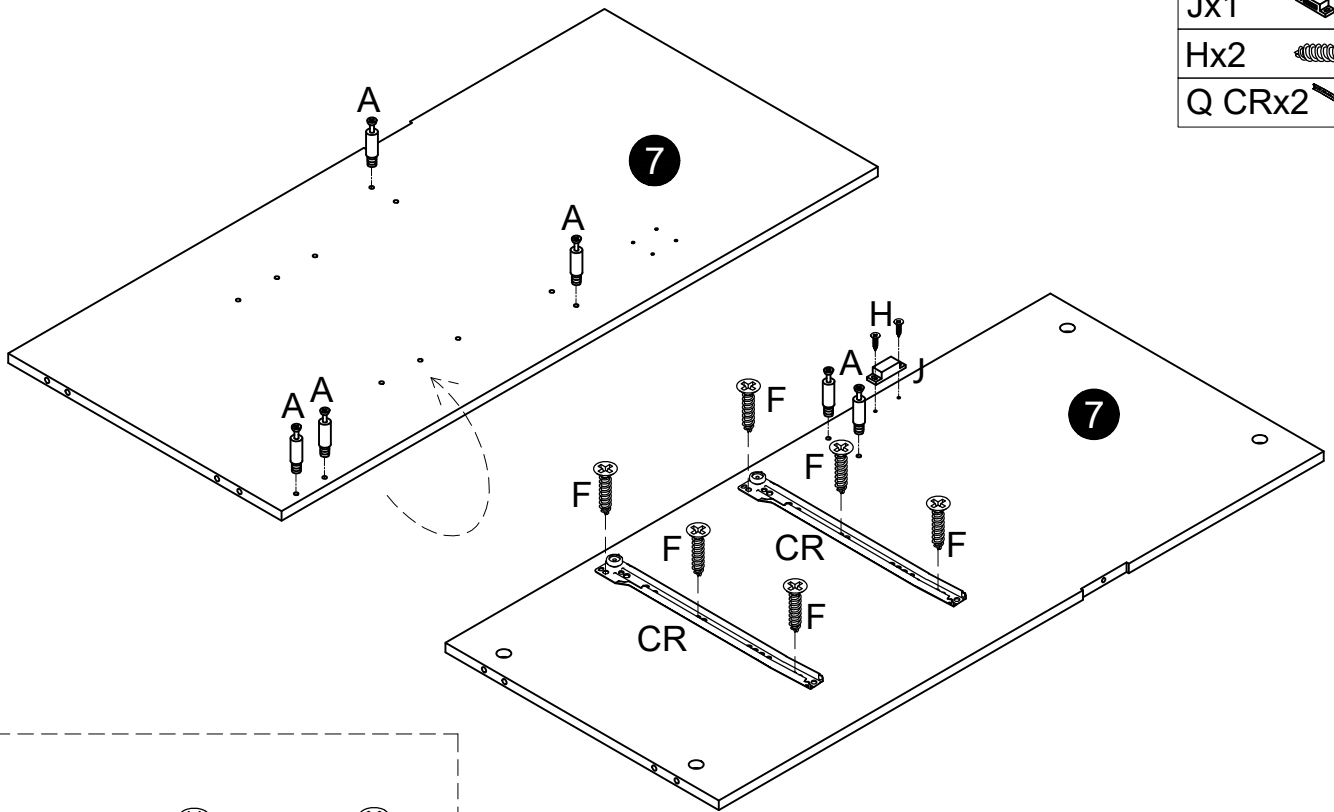


x4








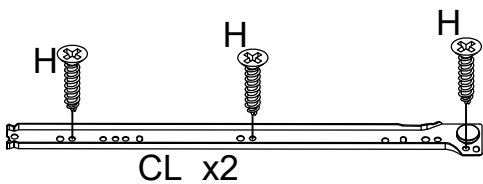
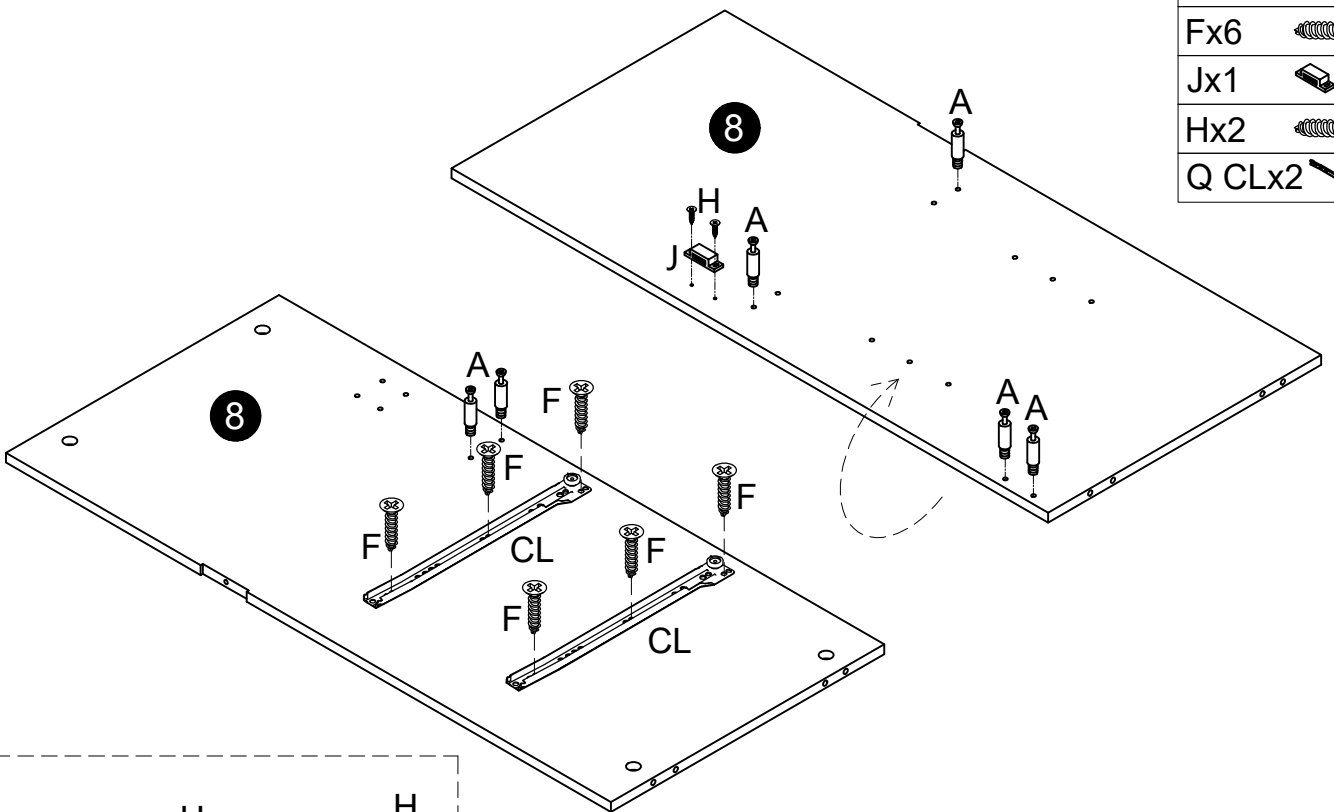
05

- Ax6 
- Fx6 
- Jx1 
- Hx2 
- Q CRx2 





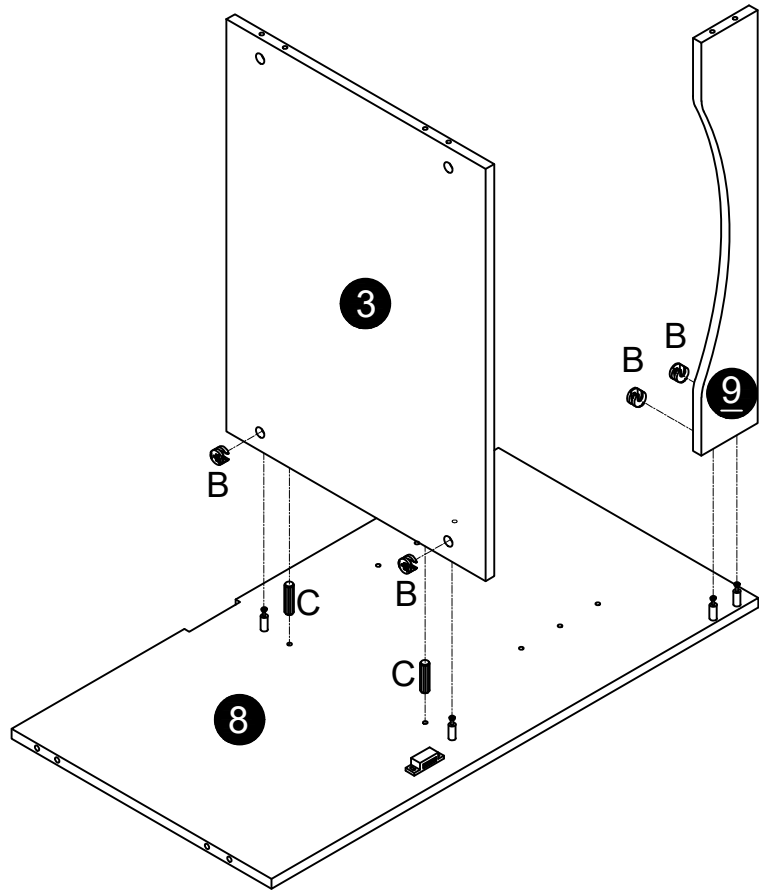
06

- Ax6 
- Fx6 
- Jx1 
- Hx2 
- Q CLx2 





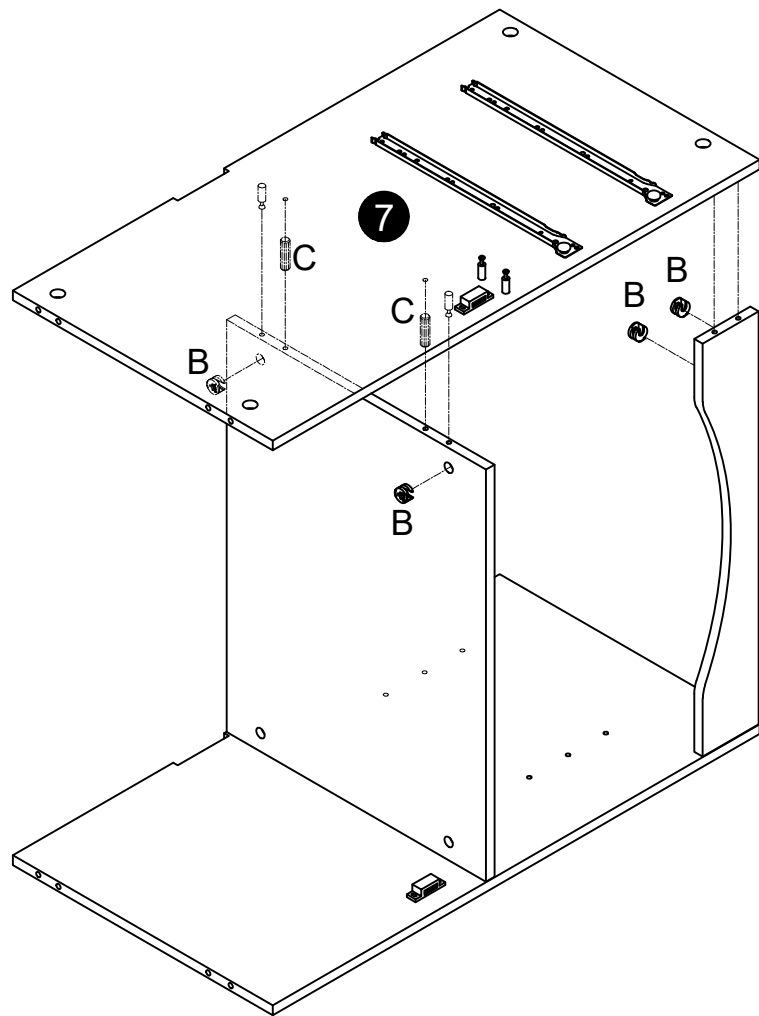
07

Bx4 
Cx2 

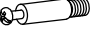


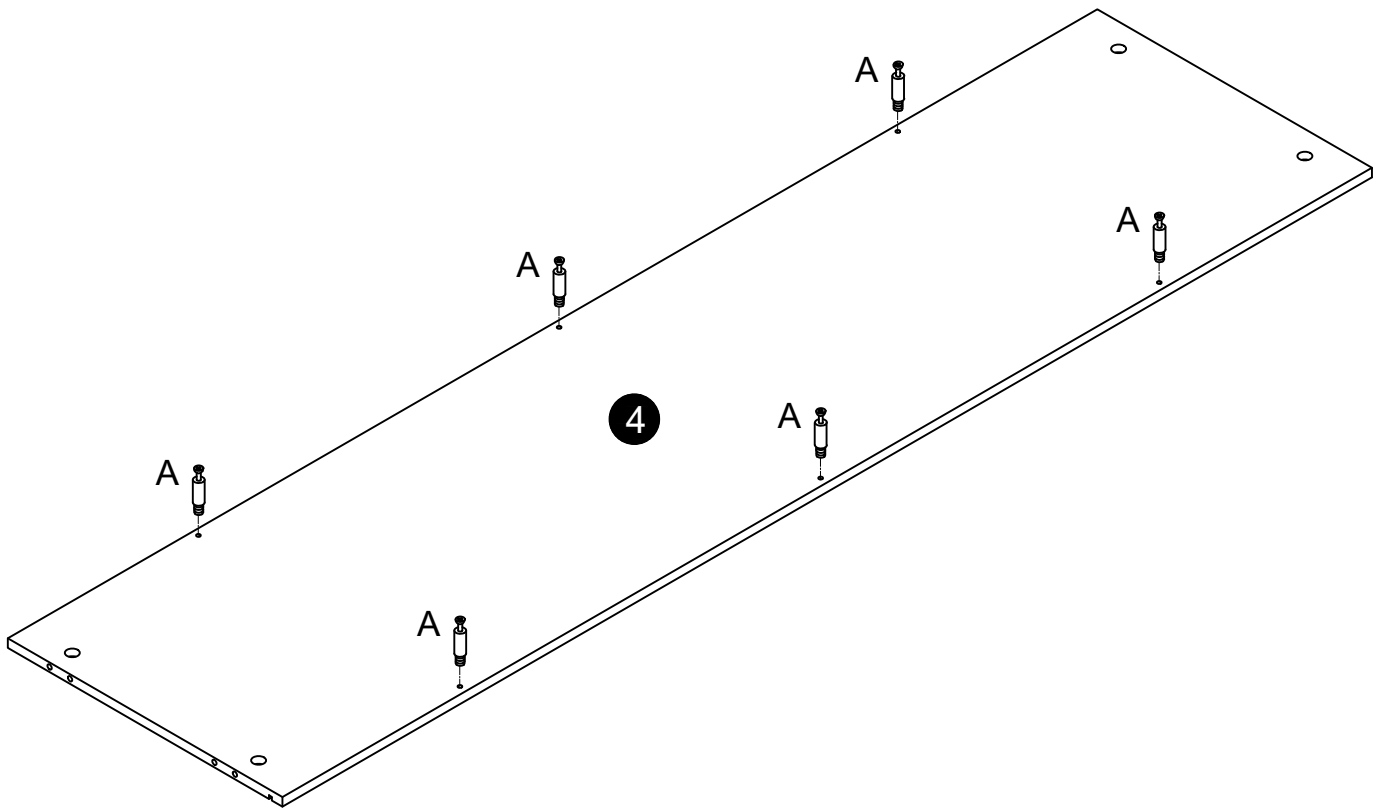
08

Bx4 
Cx2 



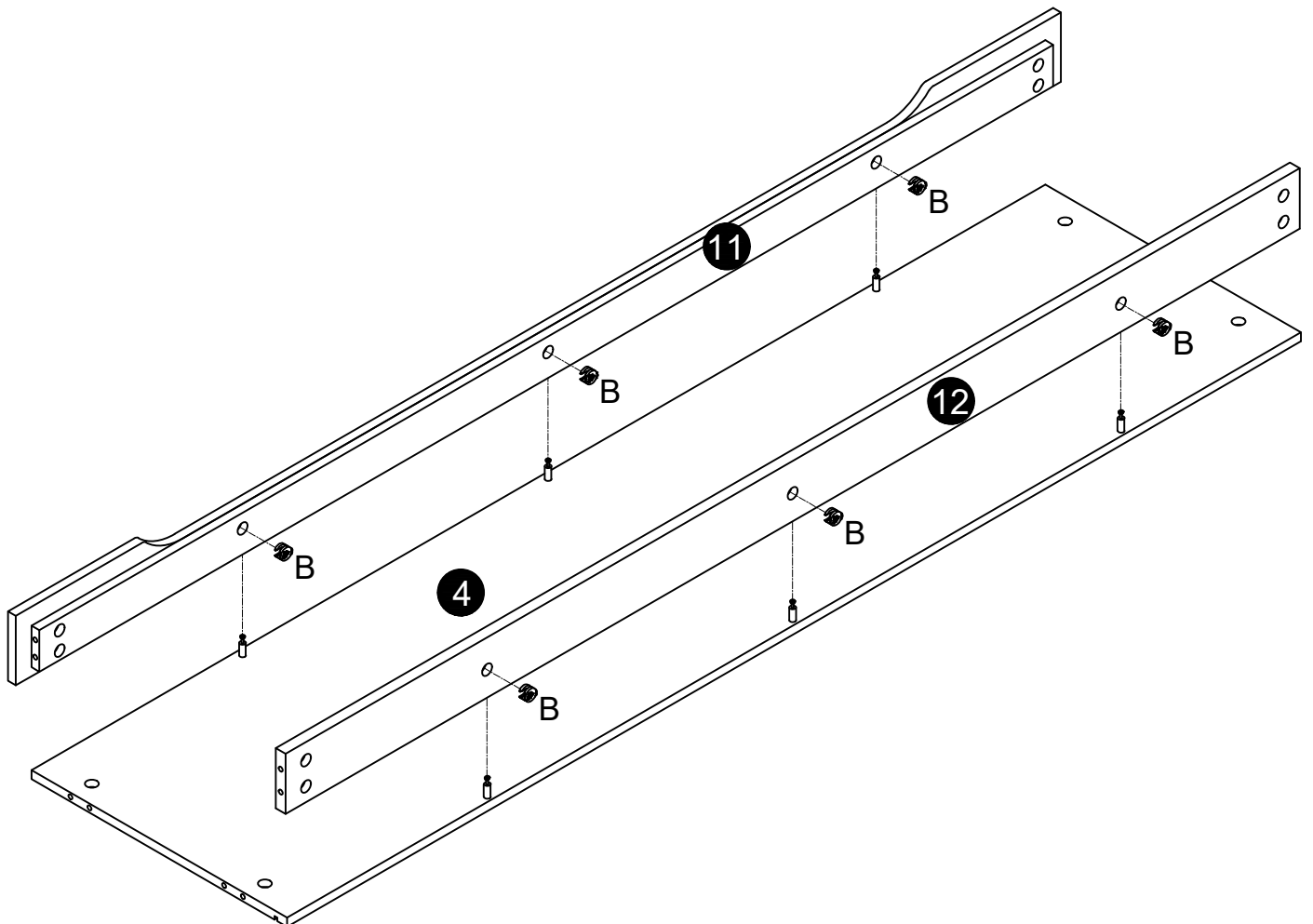
09

Ax6 




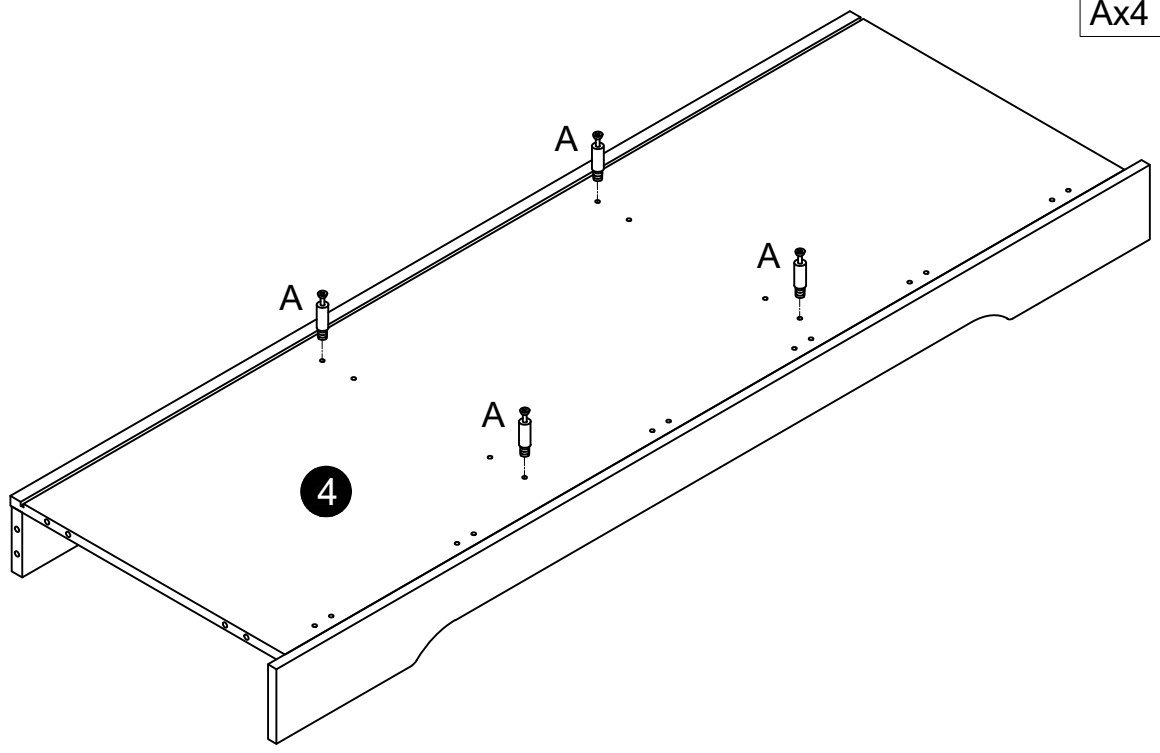
10

Bx6 





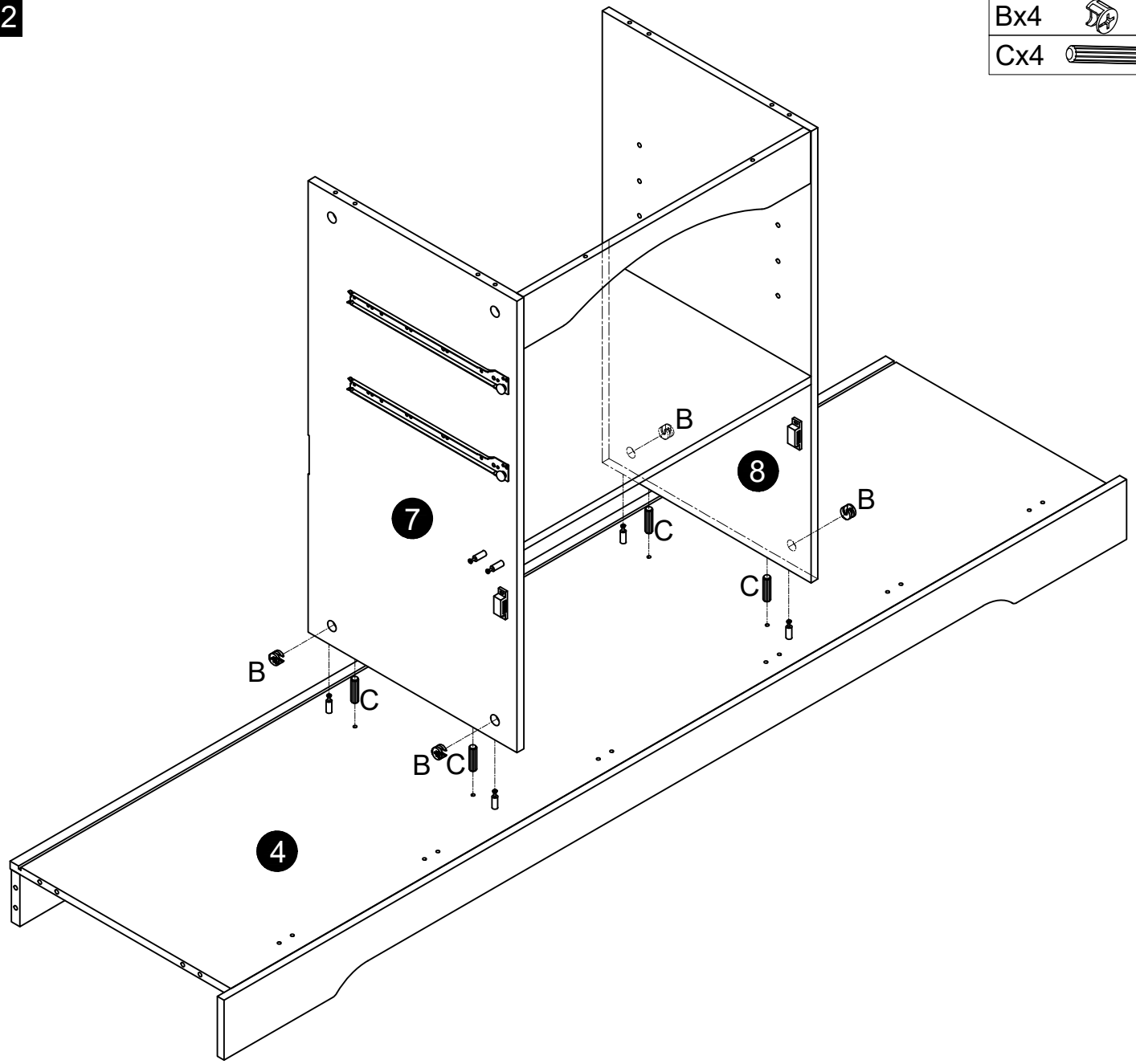
11

Ax4 

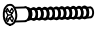



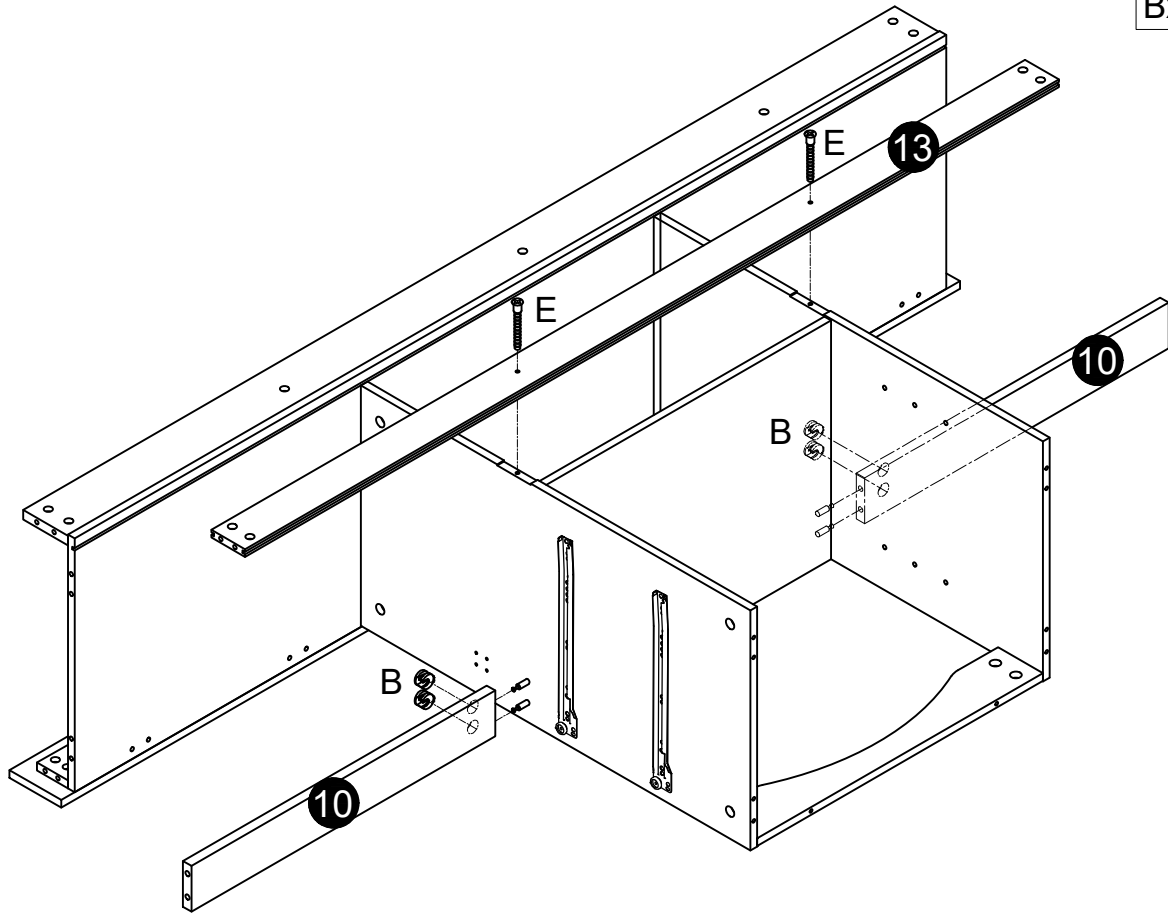
12

Bx4 
Cx4 

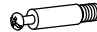


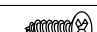




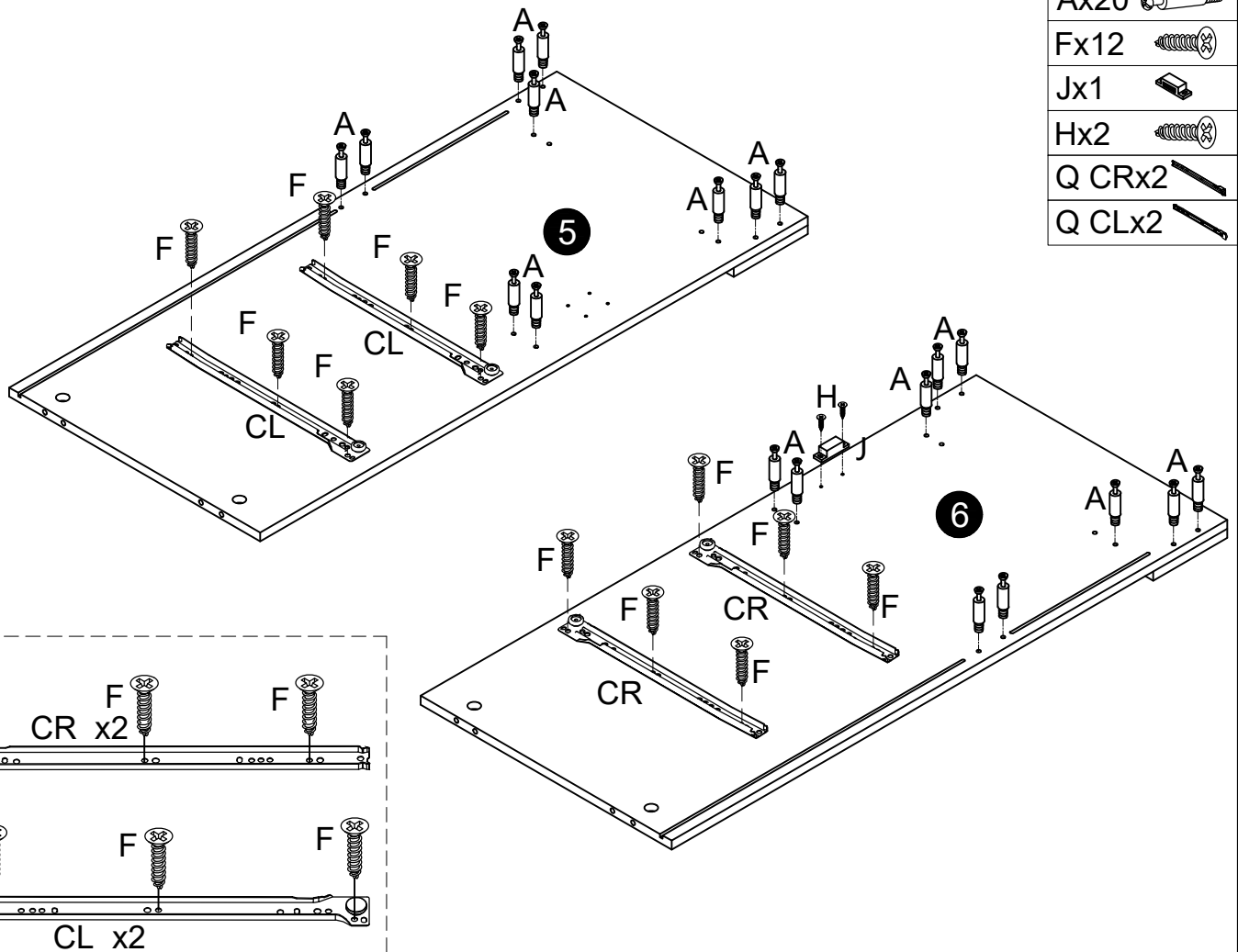
13

- Ex2 
- Bx4 





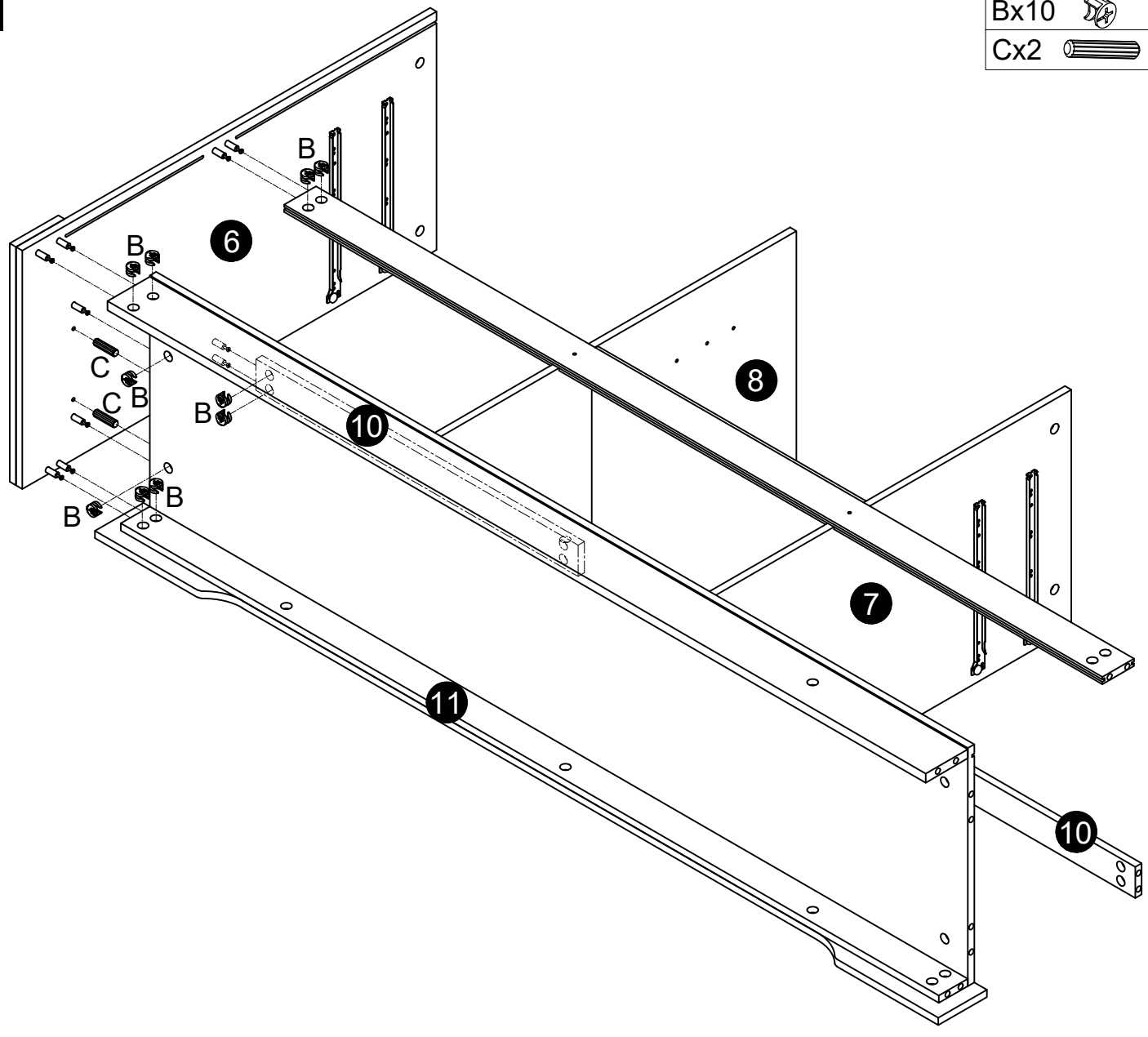
14

- Ax20 
- Fx12 
- Jx1 
- Hx2 
- Q CRx2 
- Q CLx2 

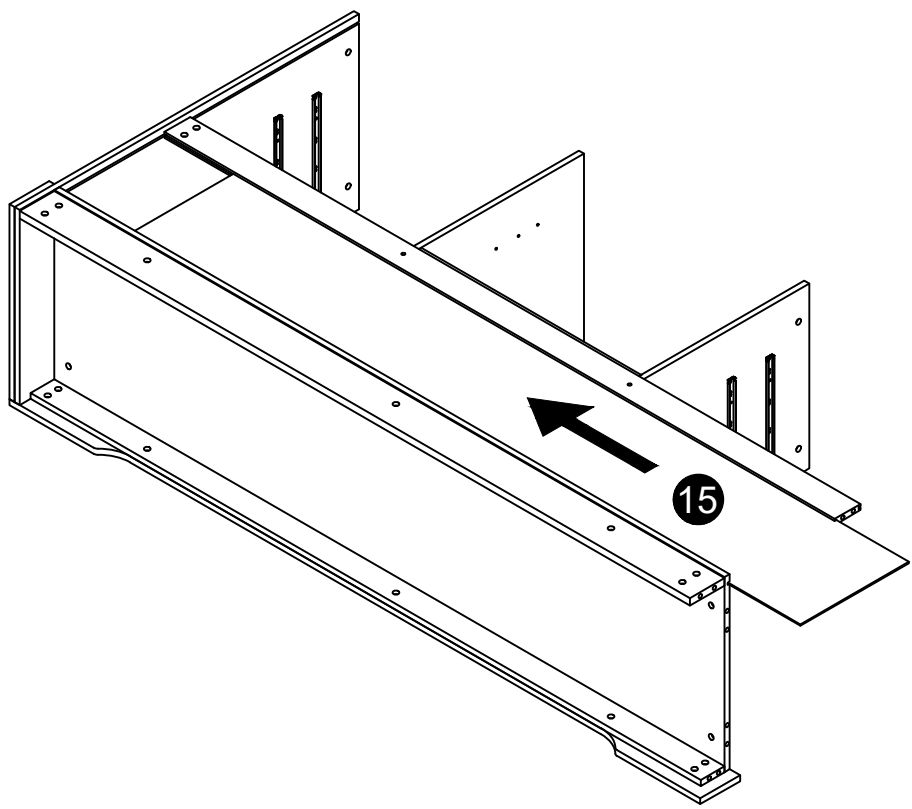


15



Bx10 
Cx2 

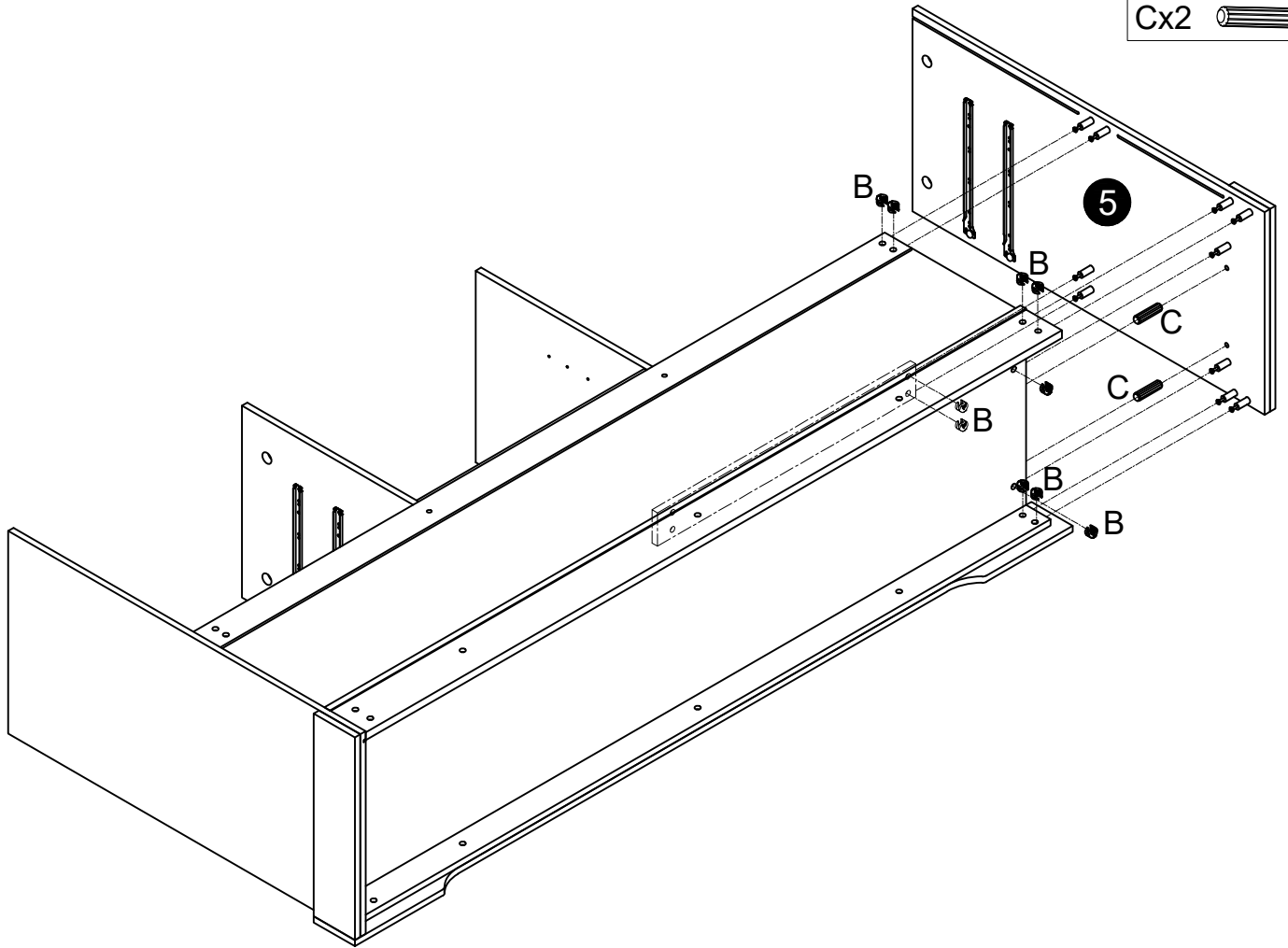


16

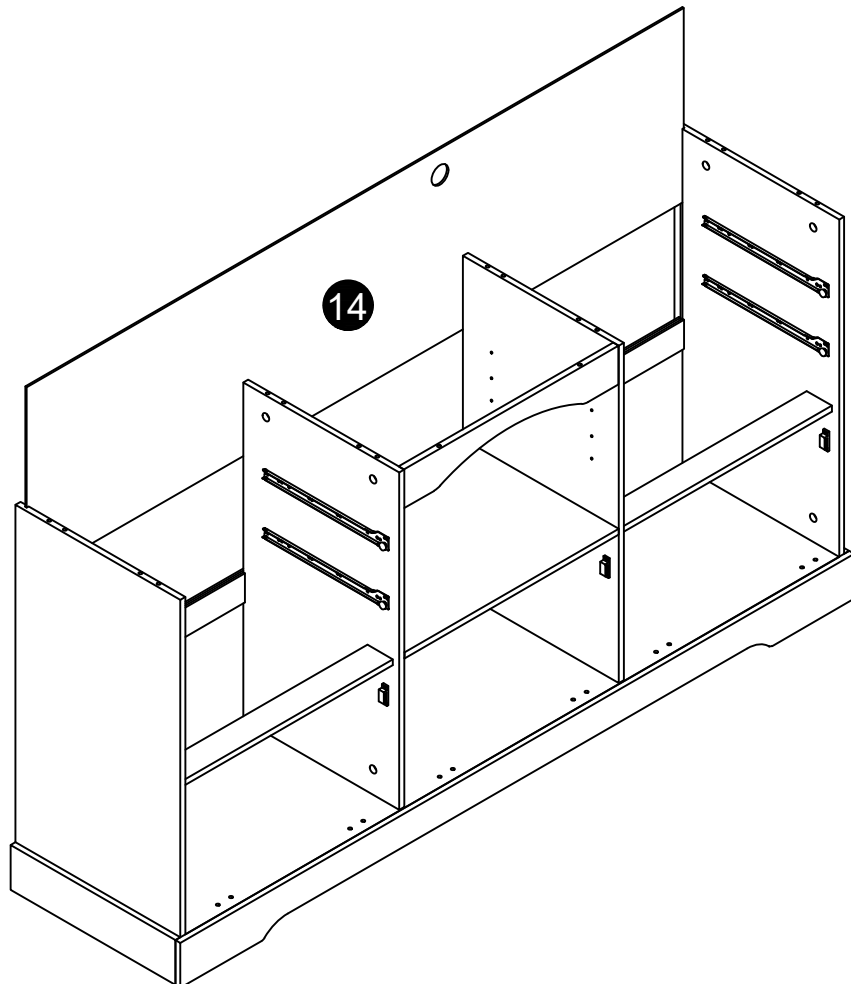


17


Bx10 
Cx2 

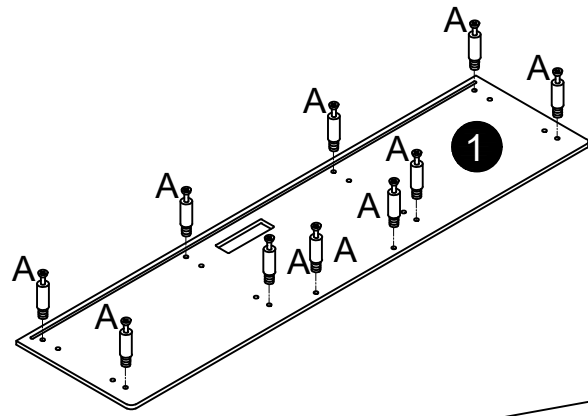




18



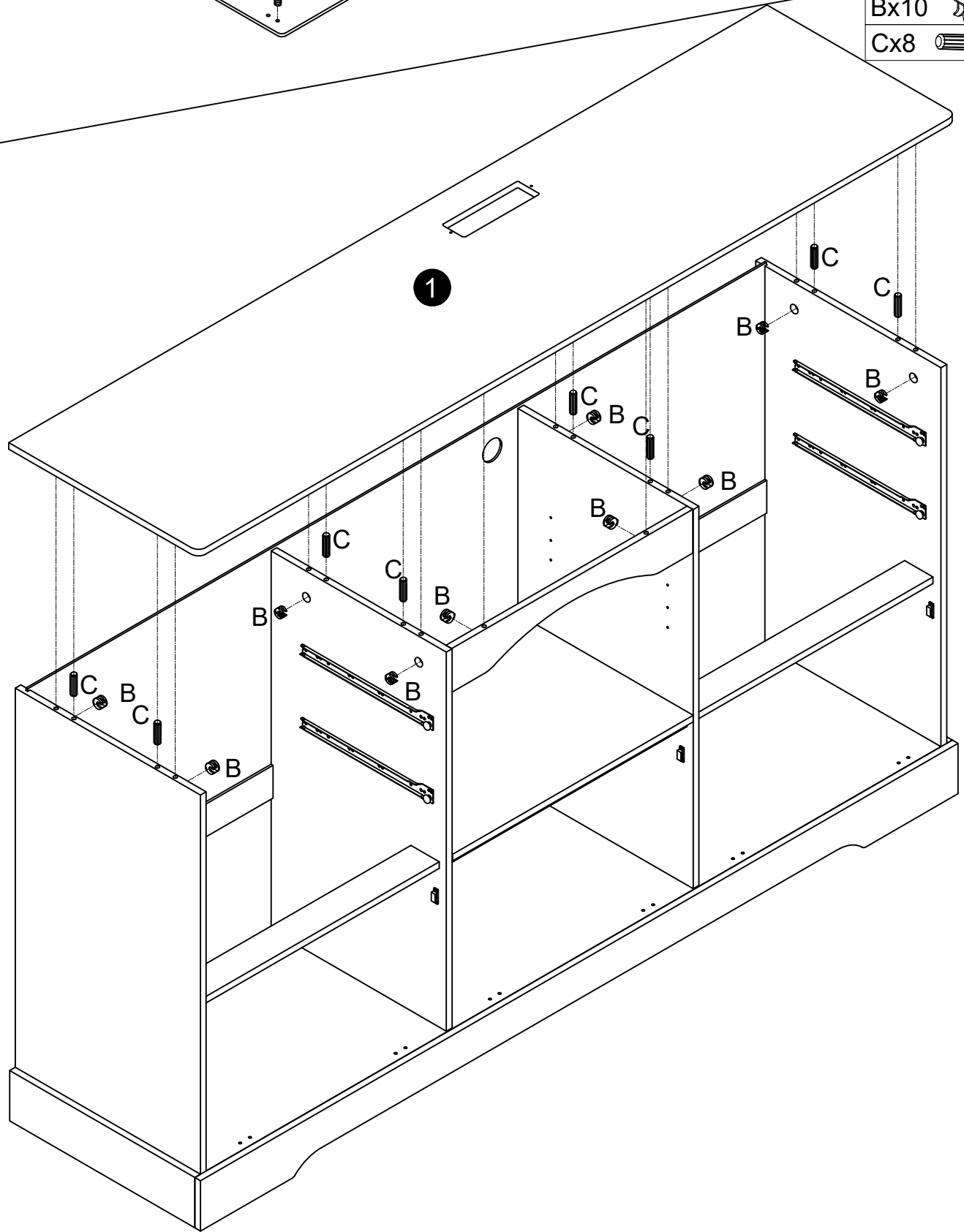
19







Ax10 



Bx10 
 Cx8 

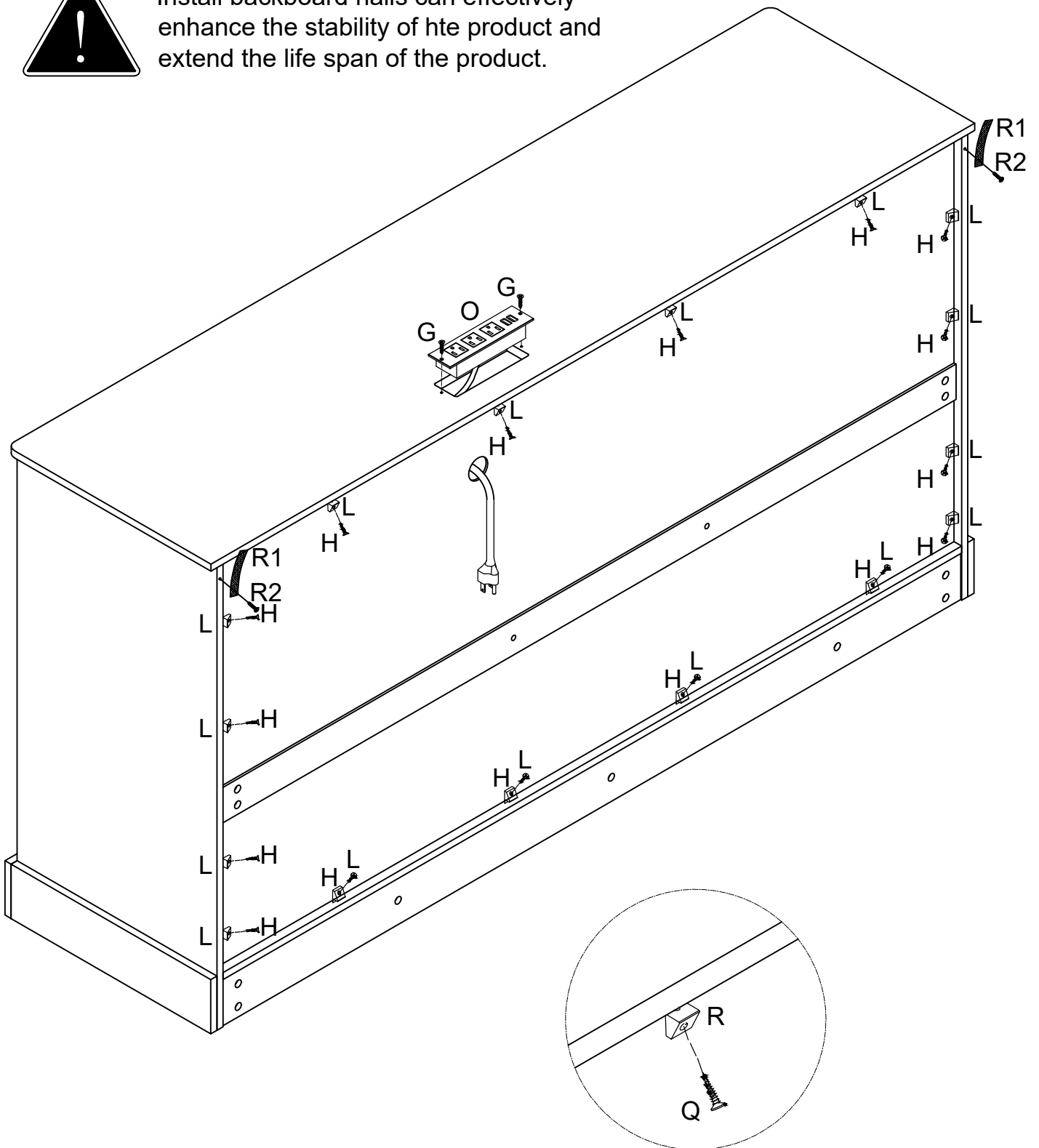
20



Gx2	
Hx16	
Lx16	
Ox1	
R1x2	
R2x2	



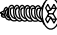


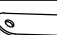

Install backboard nails can effectively enhance the stability of hte product and extend the life span of the product.

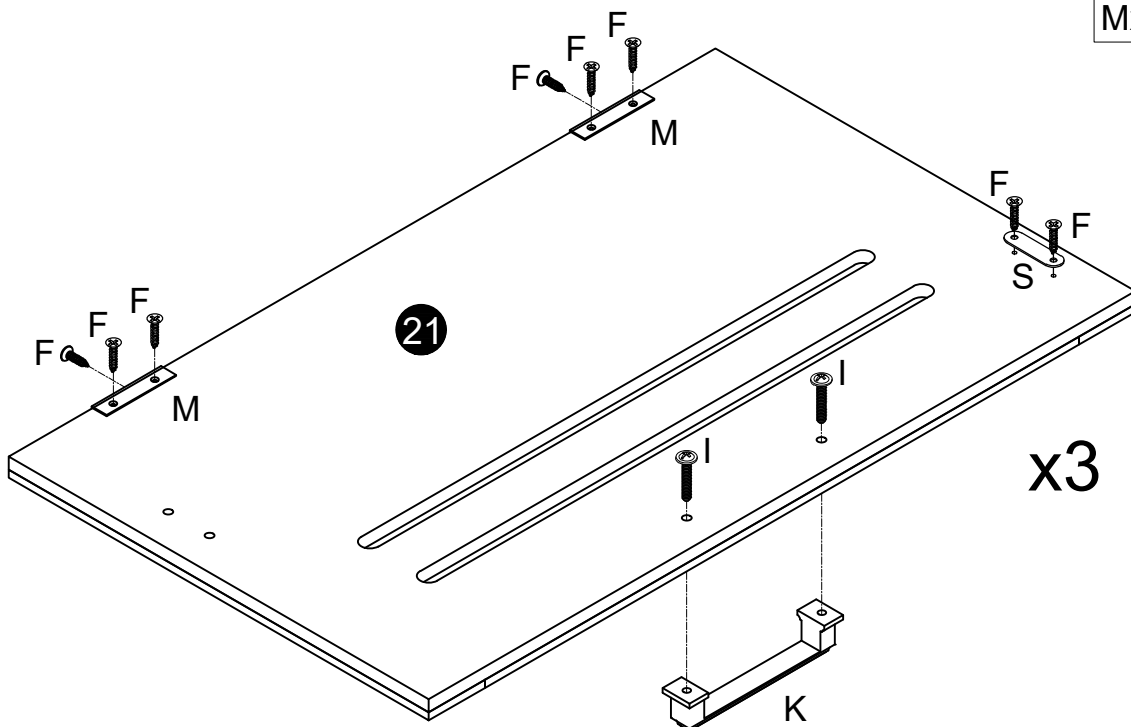


22


Installation Tips:

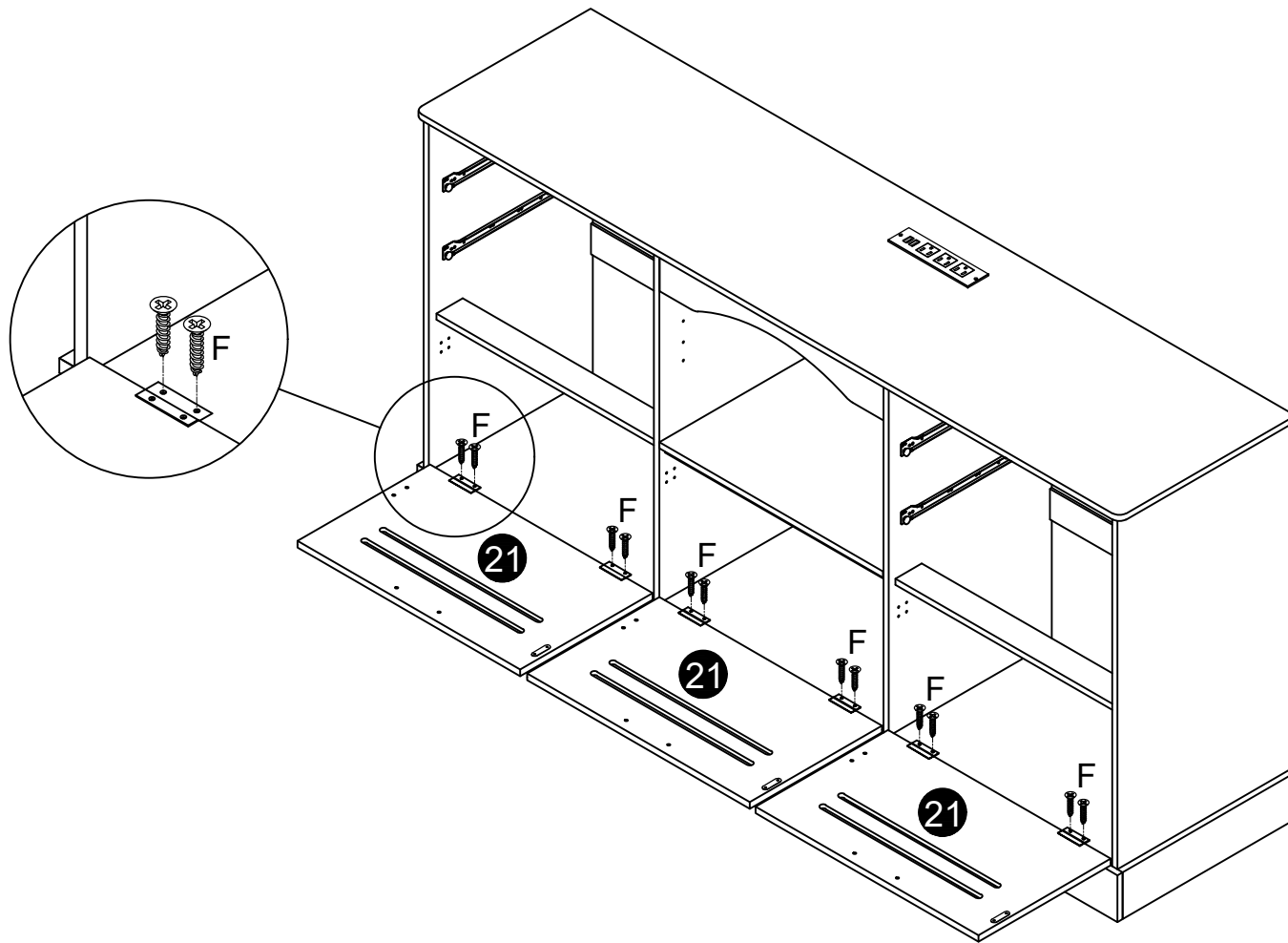
1. First, please install the hinges to the cabinet door.
2. Then, install the door to the bottom of the cabinet.

Fx24	
lx6	
Kx3	
Sx3	
Mx6	


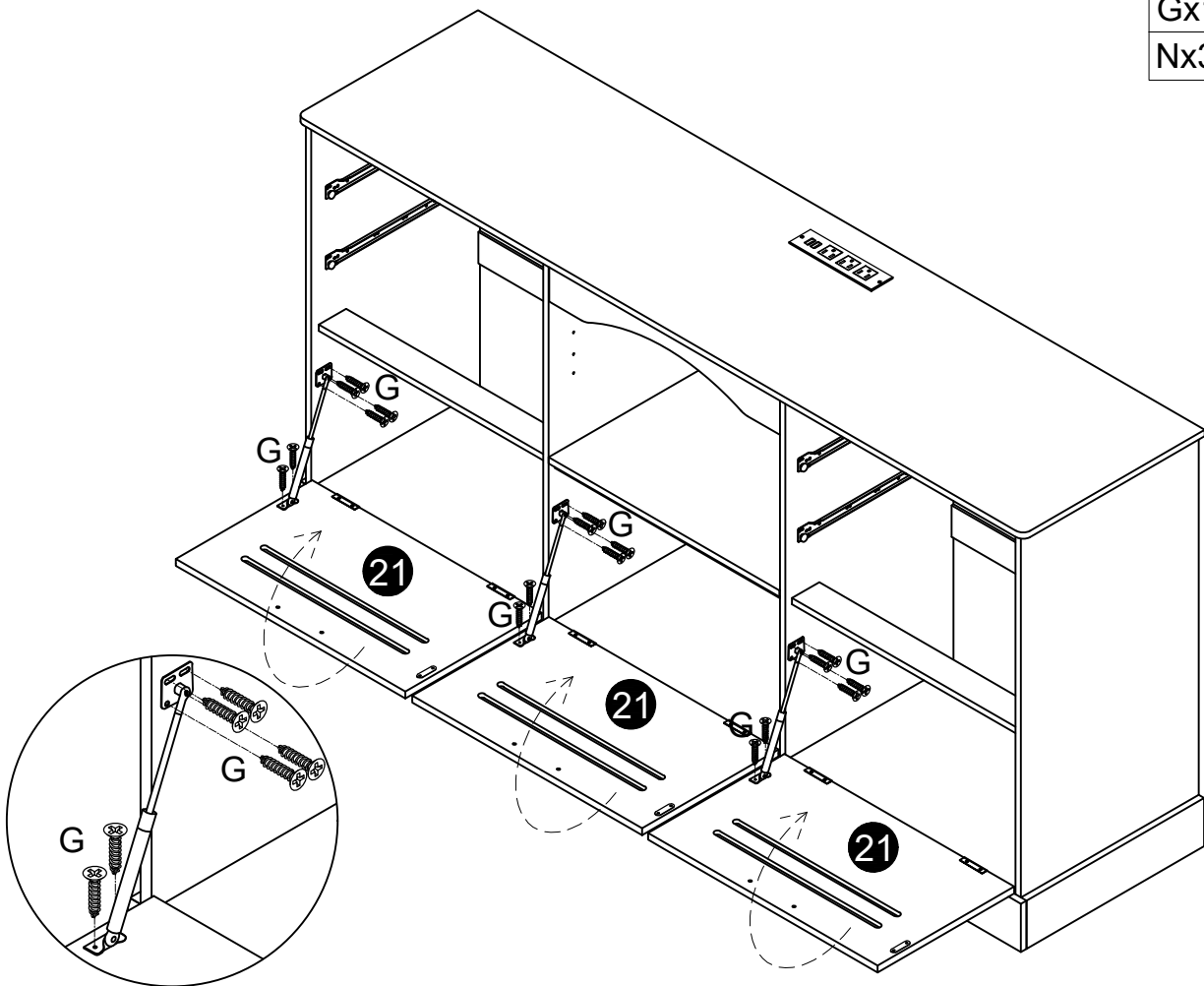
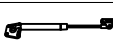


23

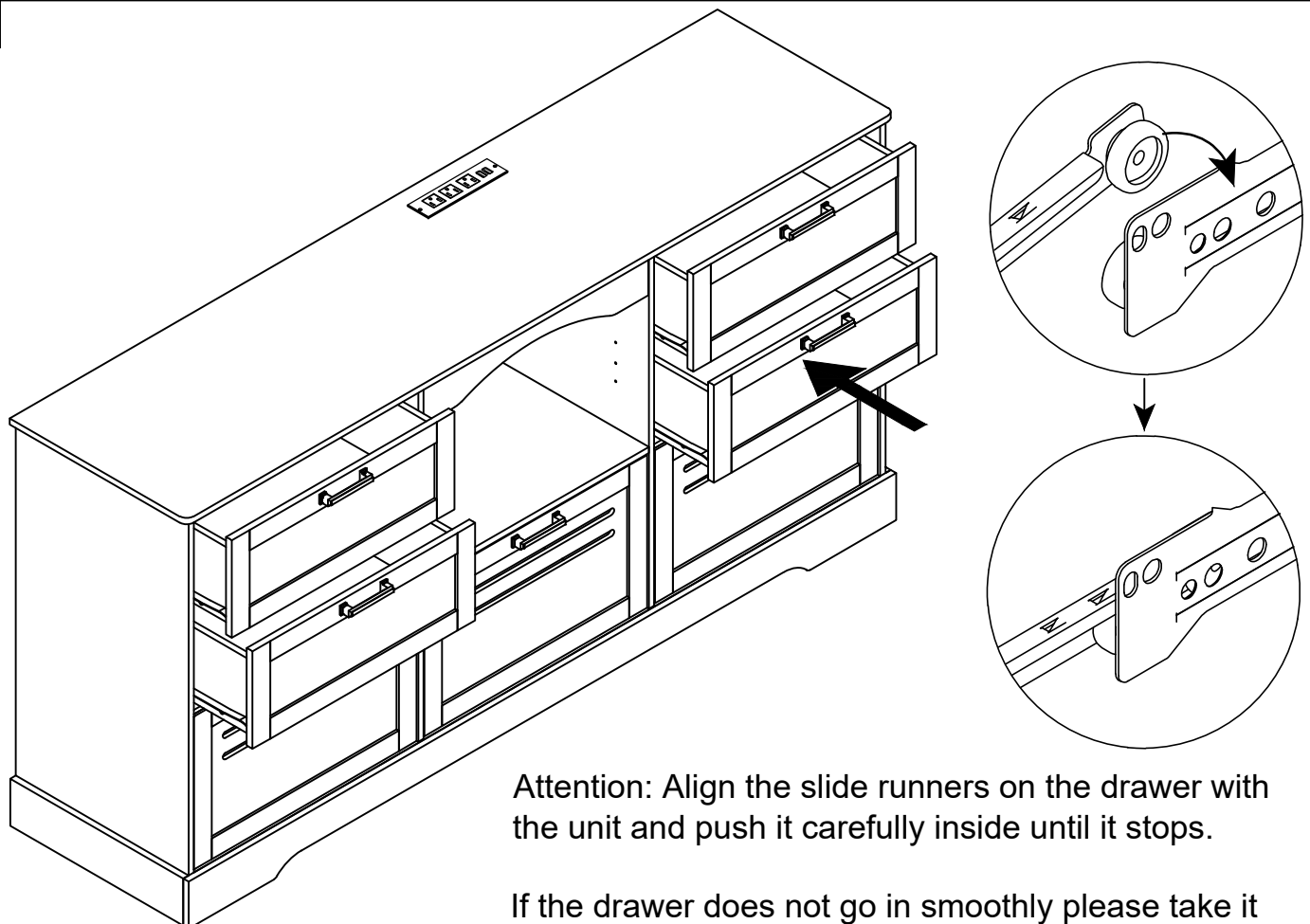
Fx12	
------	---



24

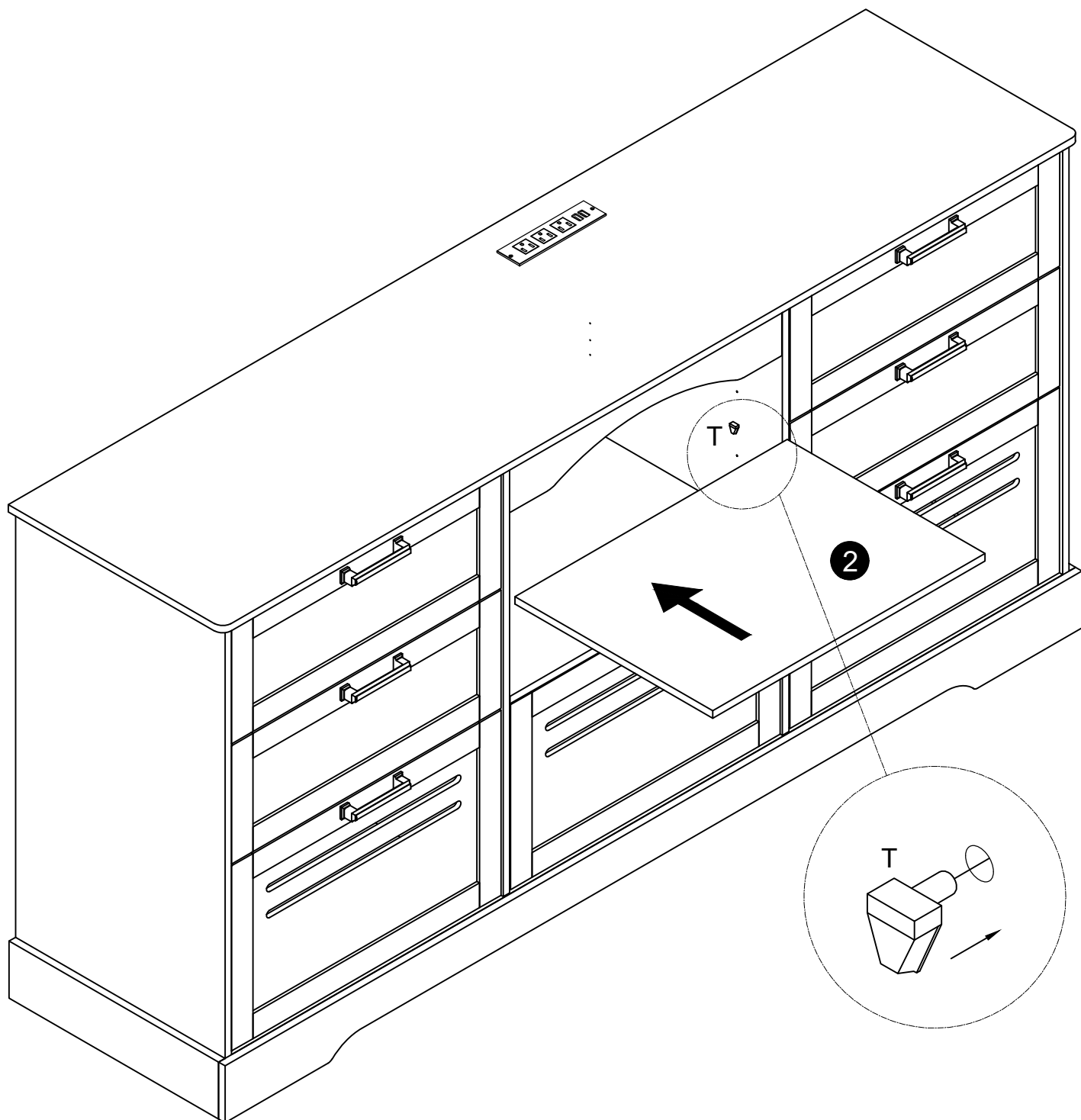
Gx18 
Nx3 

25



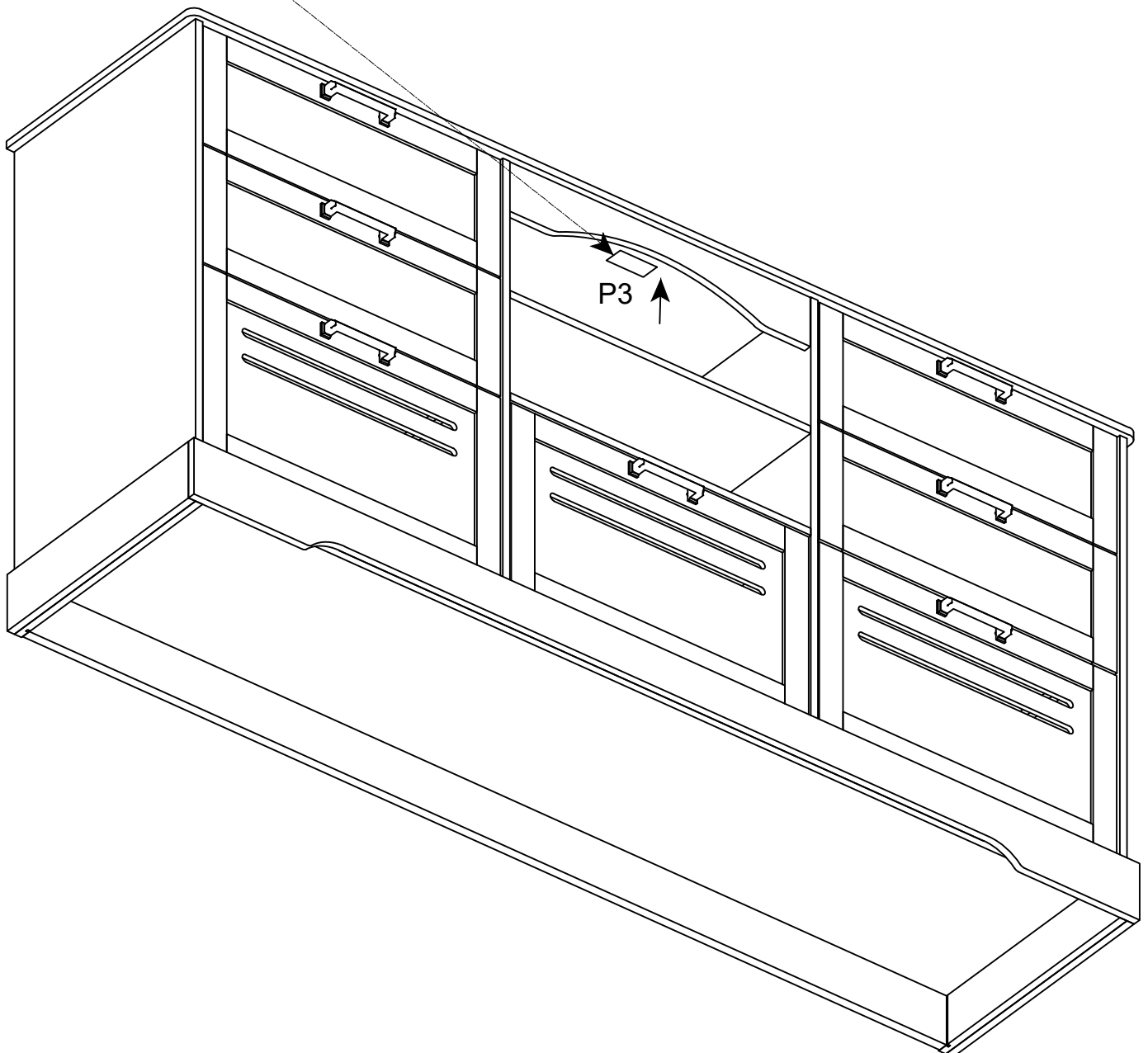
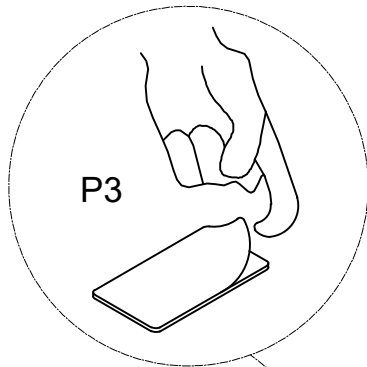
Attention: Align the slide runners on the drawer with the unit and push it carefully inside until it stops.


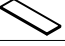
If the drawer does not go in smoothly please take it out and repeat the step.

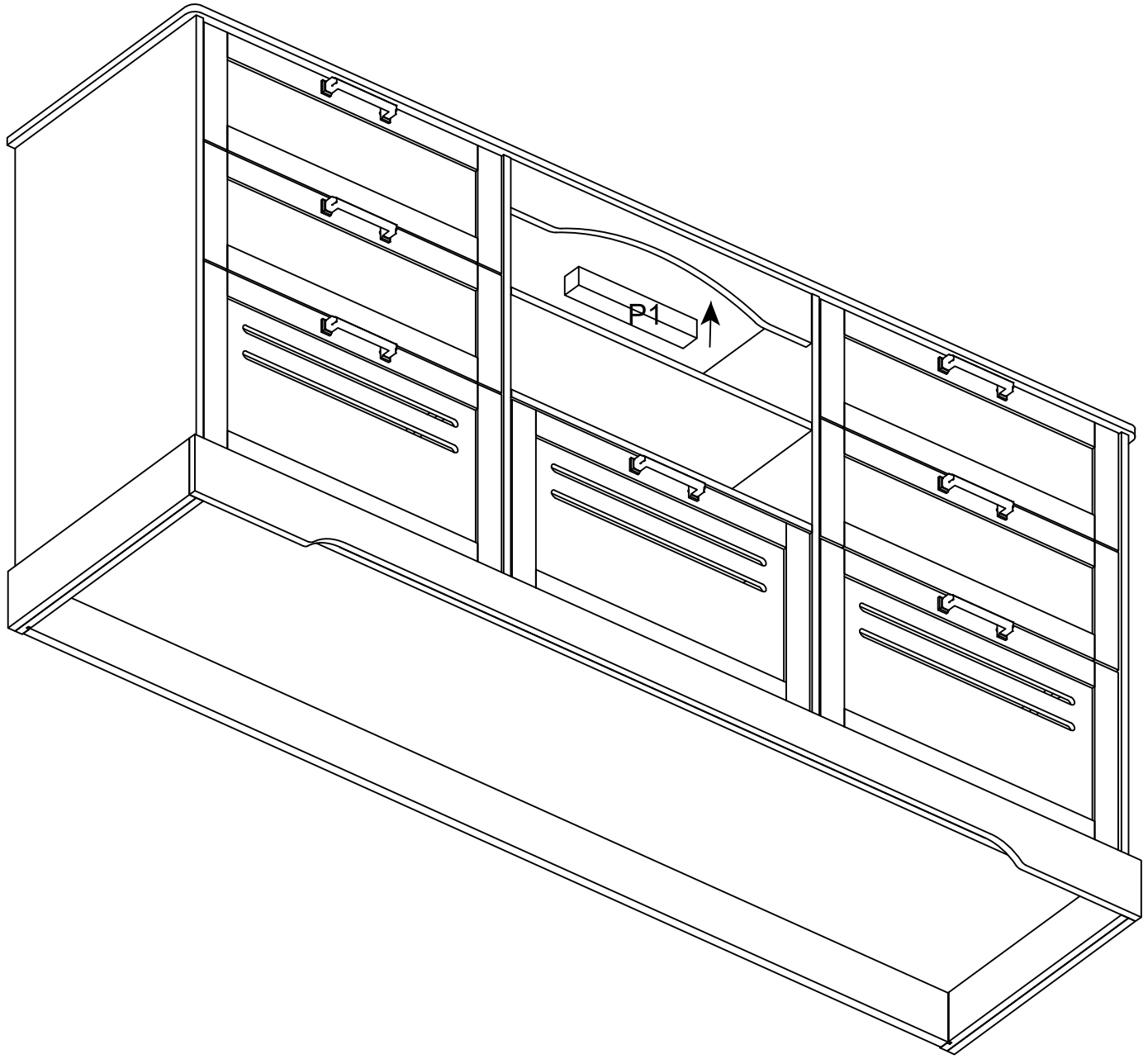
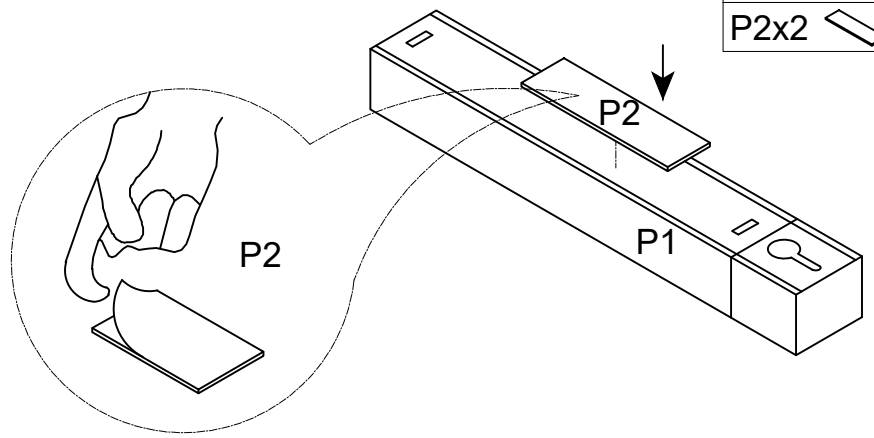


Tear off the paper on the back of P3 and stick P3 on the bottom of the top plate in a suitable position.

The position where P3 is stuck determines the position of the LED light, please choose the position you think is suitable to stick it, if you don't want to install the LED light, you can skip steps 27 & 28.

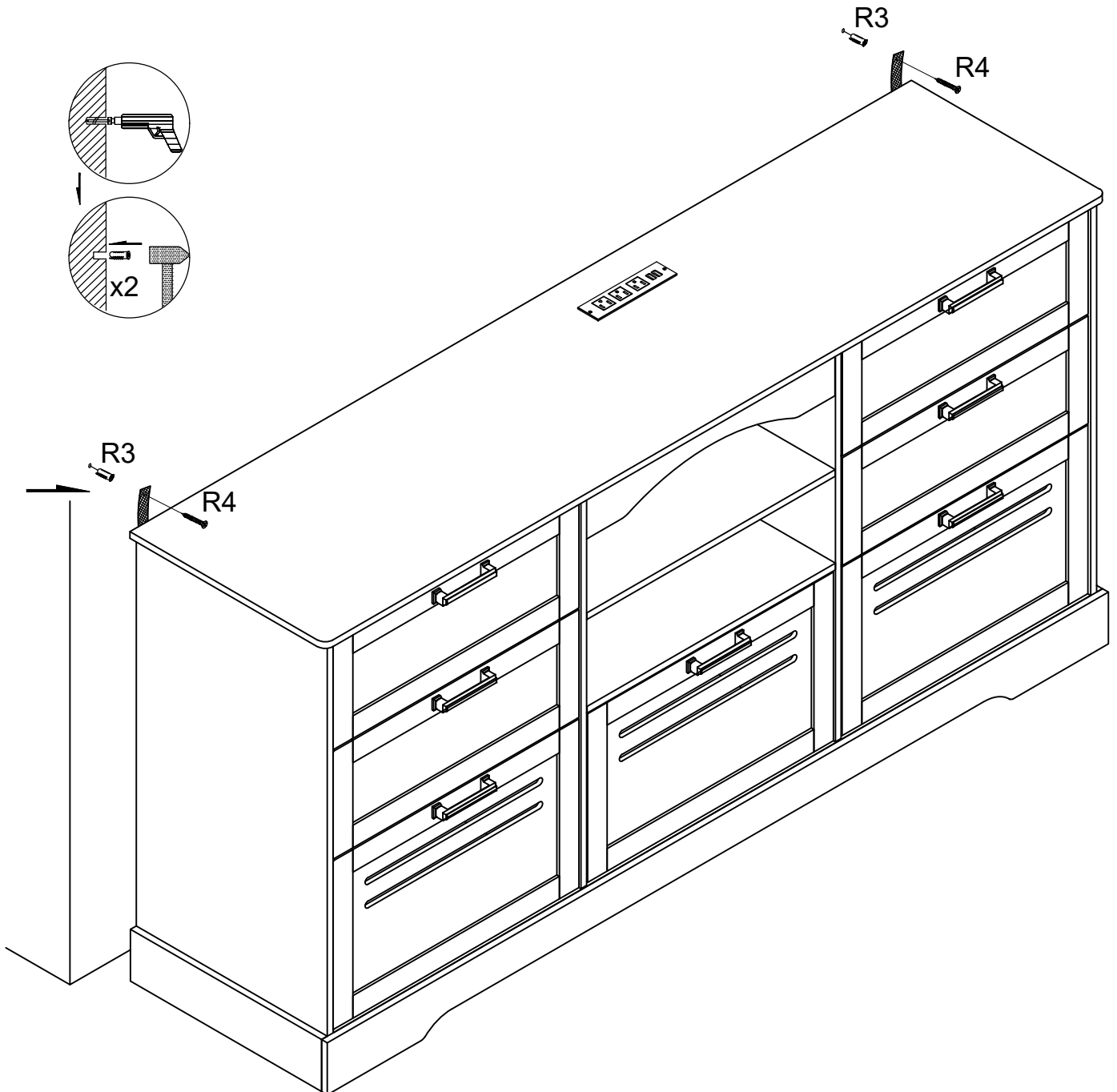


- P1x2 
- P2x2 



MANDATORY!

For safety reasons, we recommend you follow these instructions to install the anti-tipping hardware, when installed properly, this hardware may prevent the unit from tipping unexpectedly.



-WARNING- Serious injury can occur if furniture tips over. Place heavy items on lower shelves and as far back as possible.

Follow our media account to get Discounts and More New Arrivals!



Model : JFLDG2501
Shandong Janfly Home Collection Co.,Ltd.
ADD: No. 66, Laotawan Village, Louzhuang Town,
Cao County, Heze City, Shandong Province, China

Customer Service Emails
US@JANFLY.COM
EU@JANFLY.COM

Made in China

Model : JFLDG2501
Shandong Janfly Home Collection Co.,Ltd.
ADD: No. 66, Laotawan Village, Louzhuang Town,
Cao County, Heze City, Shandong Province, China
Customer Service Emails
US@JANFLY.COM
EU@JANFLY.COM

