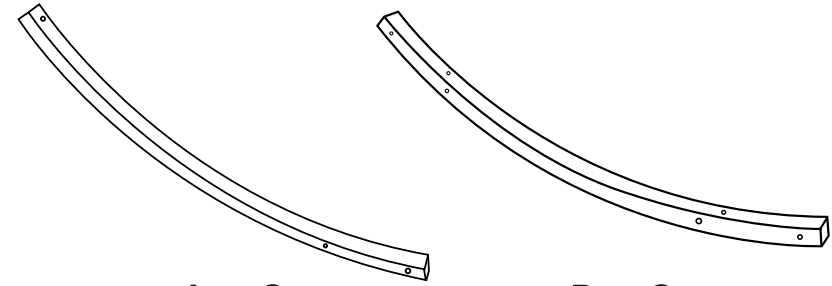
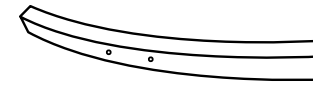


PARTS LIST

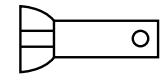


A x 2

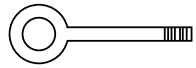
B x 2



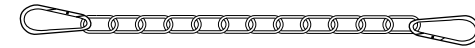
C x 2



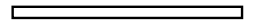
L x 2



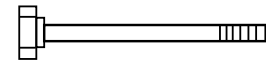
K x 2



J x 2



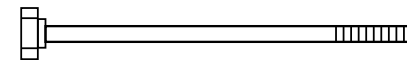
G x 2



D x 4



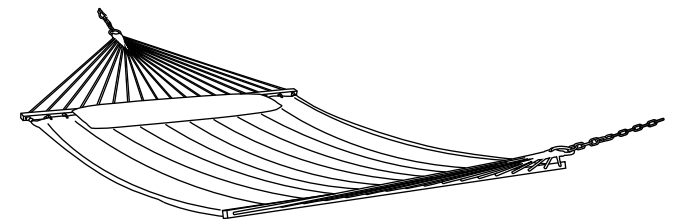
E x 14



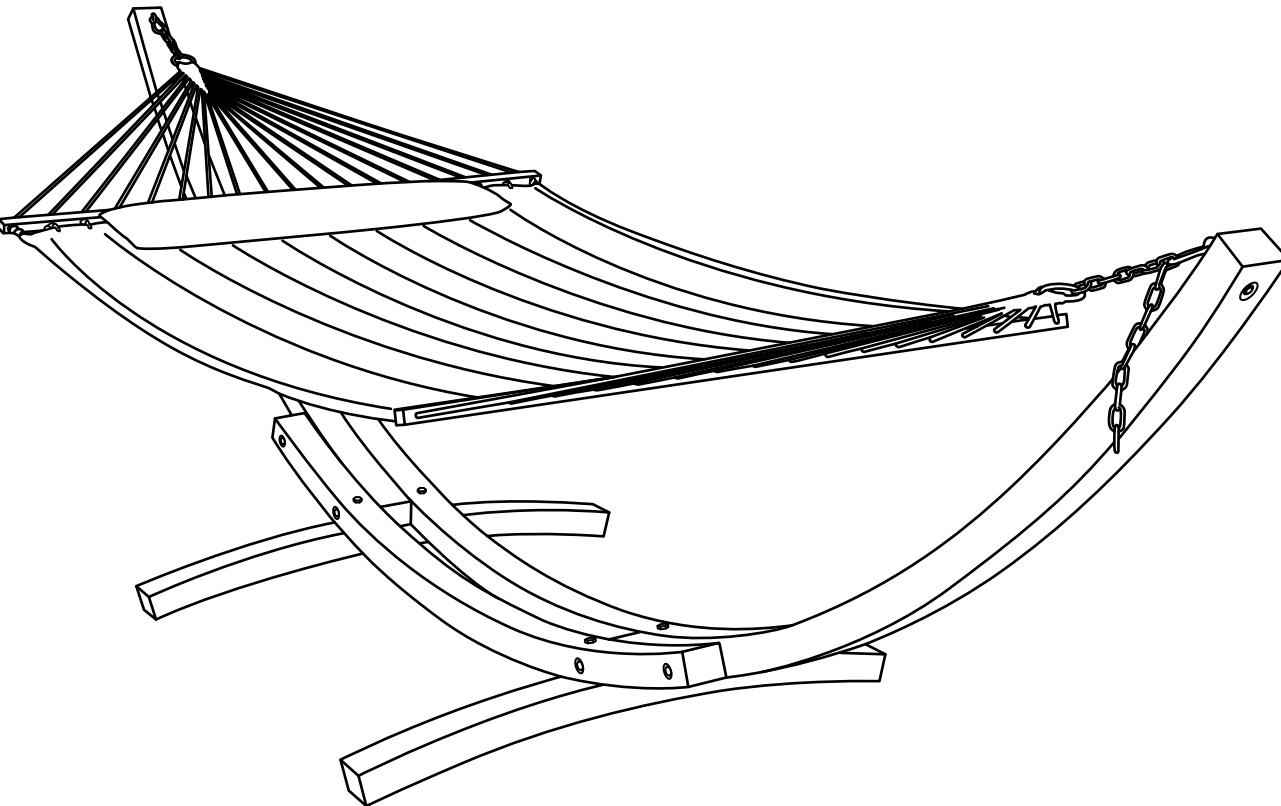
H x 4



F x 10

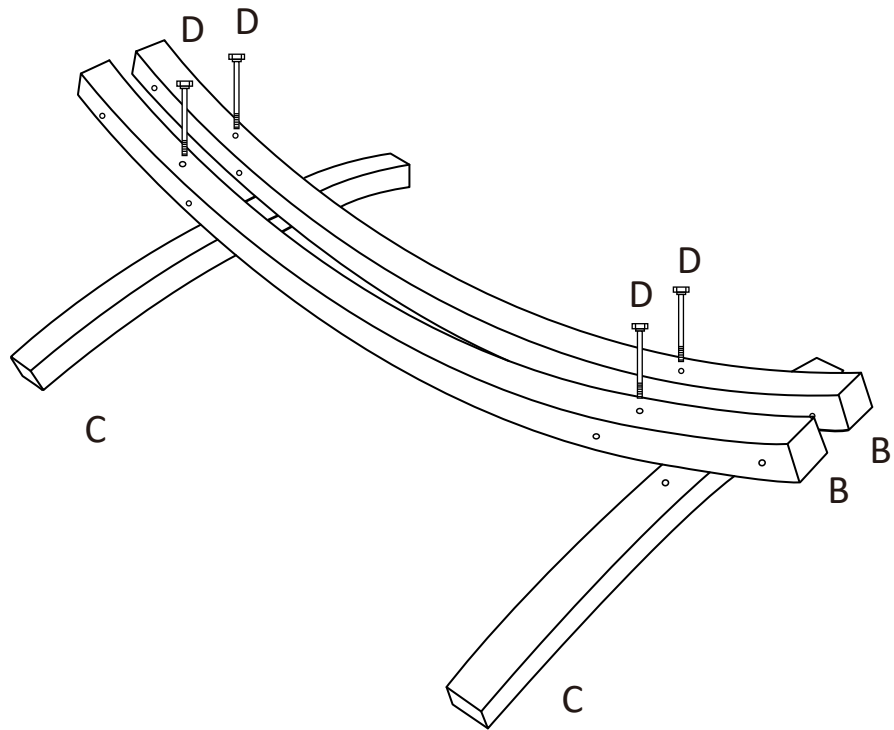


M x 1

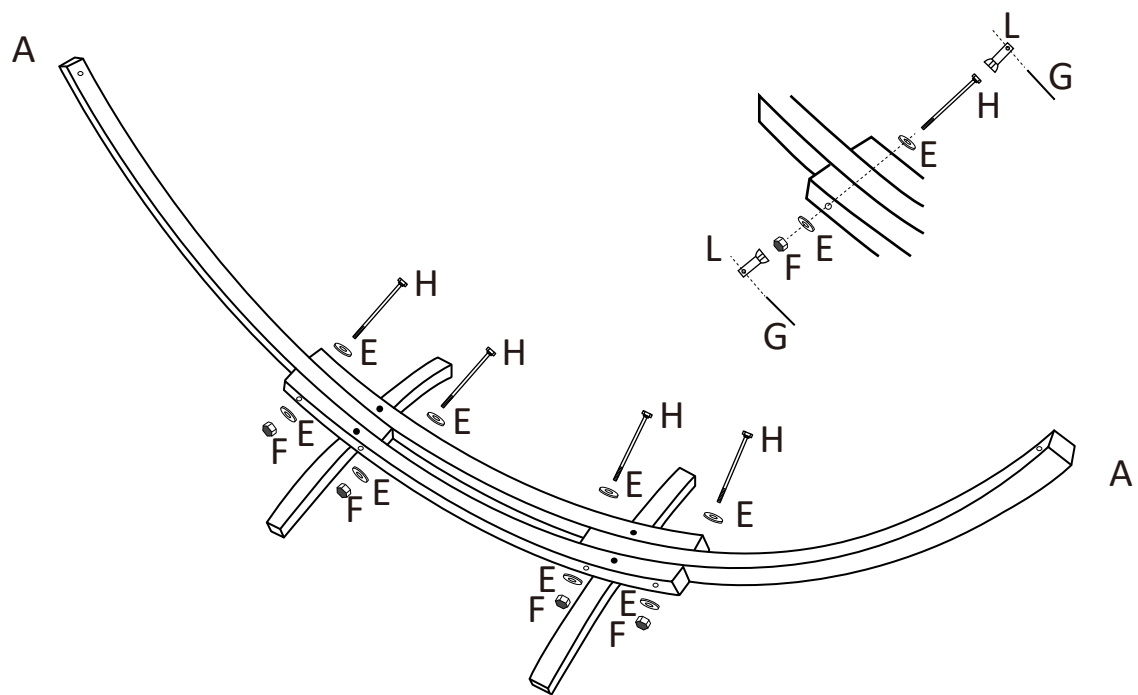


NOTE: The instruction booklet contains **IMPORTANT** safety information. Please read and keep for future reference.

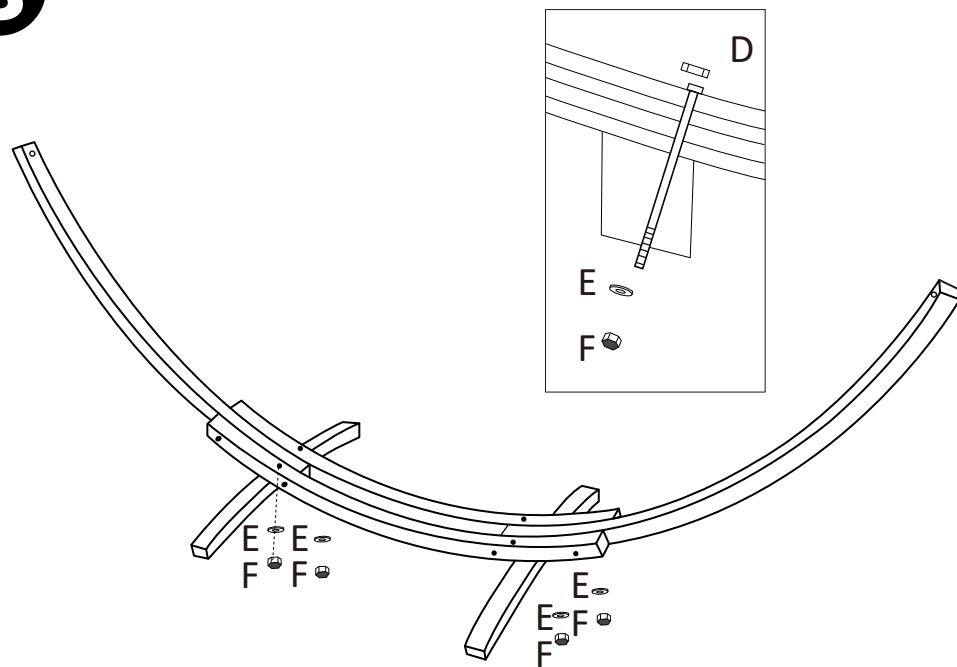
1



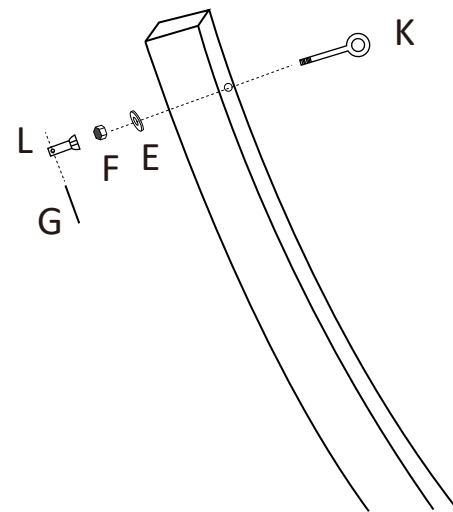
2



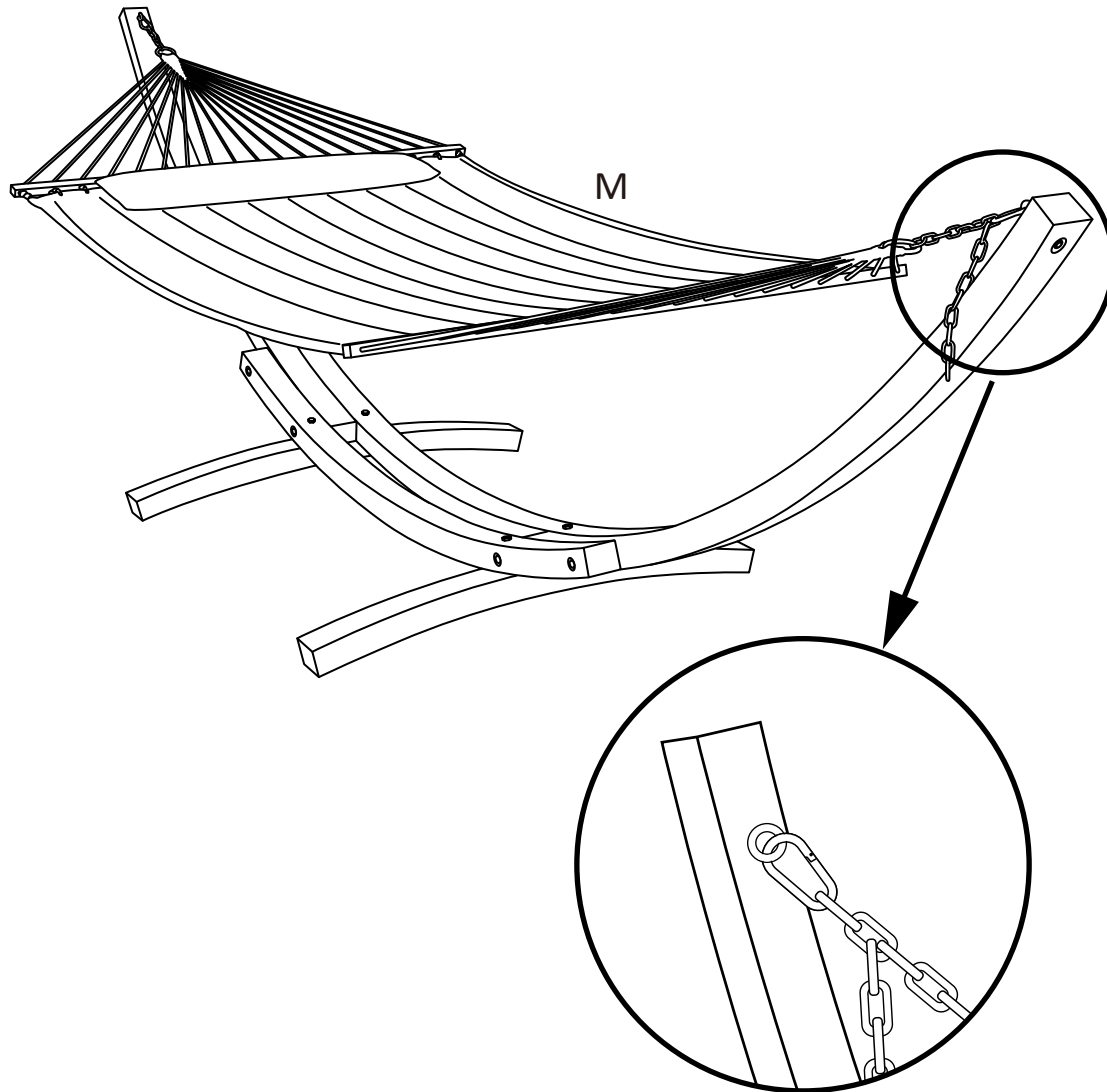
3



4



5



USAGE

- The maximum load capacity is 475 lbs.
- Please ensure that the hammock stand is used on a flat, level surface.

CARE

- Store the hammock stand in a cool & dry place when not in use during winter months.
- Your hammock stand is made of high quality material, but for extending the usage life, please keep out of the rain and direct sunlight when the hammock stand is not in use.
- Remove any dirt and moisture before storing the stand.

IMPORTANT SAFETY INSTRUCTIONS

Failure to follow the safety instructions below could result in serious injuries or property damage. Save these instructions for future reference.

WARNING

- Never place infants or pets on the hammock.
- Never allow young children to use hammock without adult's supervision.
- Never attempt to adjust hammock height or drape it while in use.
- Always inspect your hanging kit, parts, and hammock before each use to ensure safety.

WHAT YOU NEED TO KNOW ABOUT CRACKS AND SPLITS IN WOODEN HAMMOCK

This is the time of year when we sell a lot of wooden hammock stands.

It's also the time when we get lots of customers asking why they're seeing cracks and splits in their new wooden hammock stands.

The good news is that you have nothing to worry about.

Let us explain why.

Why you don't have to worry about cracks and splits

Cracks and splits occur naturally in wood – they're part of the maturing process. Temperature and humidity levels go up and down and cracking and splitting are a natural, normal reaction to this.

When you buy a piece of wooden hammock stand, the wood needs a little time to adjust to its new surroundings. Cracks and splits, if they appear, are just a sign that your furniture is bedding in.

The important thing to know and remember is that these cracks and splits have no impact on the strength and durability of your wooden hammock stand. They don't affect the quality of the furniture or how long you can enjoy it for.

When to check about cracks and splits in wooden garden furniture

Of course, there are rare occasions when you should do something about cracks and splits in your wooden hammock stand.

How do you know if you should be concerned? If you can fit one US dollar coin inside the crack or split, take a picture and contact us, and we'll sort it out for you.

We hope this helps you enjoy your wooden hammock. If you have any questions about our wooden hammock, we're happy to answer them for you.