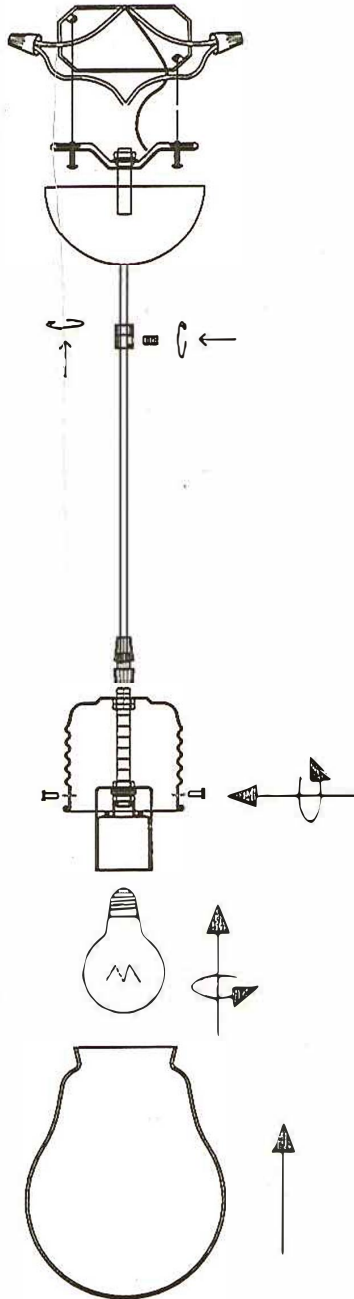


Use instruction



This lighting only can be use in room.
not turn switch on before
assembly.
If you want change bulb,please turn
off,and after the bulb is cold.
Voltage:110V
Bulb:E26